

US00D528300S

(12) **United States Design Patent** (10) **Patent No.:** **US D528,300 S**
Hardy et al. (45) **Date of Patent:** **** Sep. 19, 2006**

(54) **PORTION OF A MESH BASKET**

FOREIGN PATENT DOCUMENTS

(75) Inventors: **Christopher Hardy**, Springfield, IL (US); **R. Neal Post**, Springfield, IL (US)

FR 826876 4/1938
GB 228338 2/1925
GB 730785 6/1955

(73) Assignee: **Design Ideas, Ltd.**, Springfield, IL (US)

OTHER PUBLICATIONS

(**) Term: **14 Years**

(21) Appl. No.: **29/238,910**

(22) Filed: **Sep. 22, 2005**

Design Ideas catalog 1995, cover page and p. 24.
Miller's Office Products catalog 1995, p. 442, Wire Mesh Desk Accessories (item c).
Miller's Office Products catalog 1998, p. 475, Wire Mesh Desk Accessories.
Design Ideas catalog 1998, cover page and pp. 61, 66-67.
Hong Kong Enterprise, Oct. 1999, p. 1126, mesh basket, #SM 500 in center of page.
Hong Kong Enterprise, Oct. 1999, p. 98, mesh basket, #NH-11, bottom of page.
Four digital photos of drawers of the elfa® closet system sold by The Container Store®. Offered for sale before Sep. 28, 2000.
The Container Store, The Ultimate Planning Guide, revised 1999, pp. cover, 16 and 19 (X Narrow 3-Runner Drawer).
The Container Store, The Ultimate Planning Guide, revised Nov. 2001, pp. cover, 20, 21, 34 and back (X Narrow 3 Runner Drawer).

Related U.S. Application Data

(60) Continuation of application No. 29/209,367, filed on Jul. 15, 2004, now Pat. No. Des. 513,874, which is a division of application No. 29/148,906, filed on Sep. 28, 2001, now abandoned.

(51) **LOC (8) Cl.** **03-01**

(52) **U.S. Cl.** **D3/306; D3/314**

(58) **Field of Classification Search** D3/304-315;
D6/566, 567, 525, 537, 540, 574, 572, 511;
206/202, 513, 557; 211/13.1, 41.3, 41.4,
211/86.01, 88.01, 134, 126.1, 181.1; 248/302;
220/485, 488

See application file for complete search history.

Primary Examiner—Louis S. Zarfaz
Assistant Examiner—John Windmuller
(74) *Attorney, Agent, or Firm*—SAIDMAN DesignLaw Group

(56) **References Cited**

U.S. PATENT DOCUMENTS

71,881 A 12/1867 Howe et al.
171,032 A 12/1875 Meyers
201,959 A 4/1878 Stockwell et al.
297,382 A 4/1884 Golding
463,964 A 11/1891 Gates
887,097 A 5/1908 Kimber
920,313 A 5/1909 Franklin
1,098,053 A 5/1914 Porter
1,382,592 A 6/1921 Ames
1,384,755 A 7/1921 Hall
1,408,026 A 2/1922 Ochiltree

(57) **CLAIM**

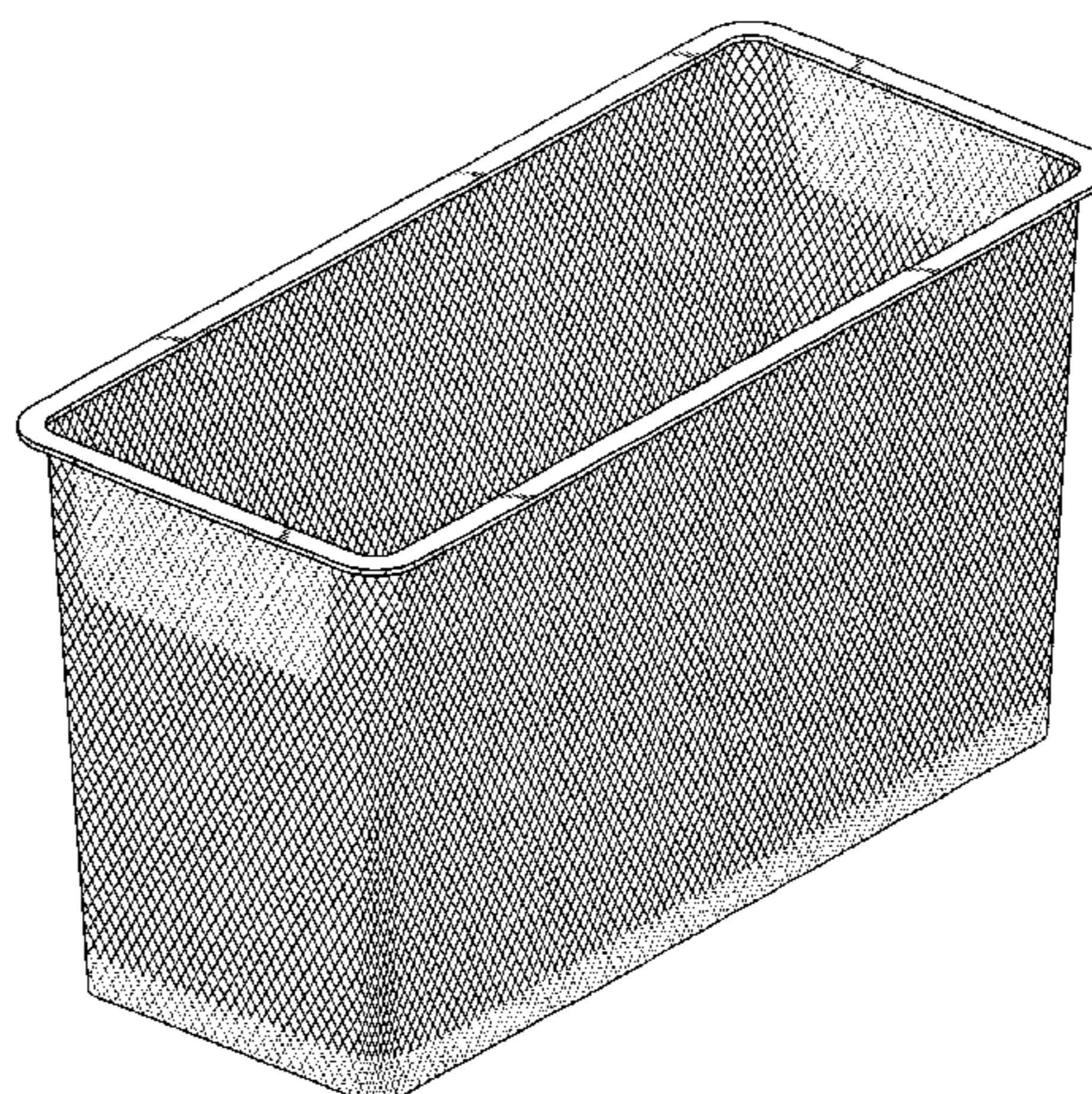
The ornamental design for a portion of a mesh basket, as shown and described.

DESCRIPTION

The sole drawing FIGURE is a perspective view of a portion of a mesh basket showing our new design. The broken line showing of an upper portion of the front and rear walls of the mesh basket and a lower portion of the front and side walls of the mesh basket is for illustrative purposes only and forms no part of the claimed design.

(Continued)

1 Claim, 1 Drawing Sheet



US D528,300 S

Page 2

U.S. PATENT DOCUMENTS					
1,445,259	A	2/1923 Wiselogel	D276,401	S	* 11/1984 Daenen et al. D7/602
1,463,098	A	7/1923 Snyder	D328,993	S	9/1992 Rosenthal
RE16,431	E	9/1926 Kratzer	D360,531	S	7/1995 Griffith
1,660,410	A	2/1928 Beckman	D373,039	S	8/1996 Cohen et al.
1,890,983	A	12/1932 Griffith	D383,283	S	9/1997 Hankins, III
2,408,082	A	9/1946 Mack	D387,981	S	* 12/1997 Mosior et al. D9/418
2,443,319	A	6/1948 Mack	5,810,179	A	9/1998 Kleiman
D152,140	S	12/1948 Crawford et al.	D407,558	S	4/1999 Huguet et al.
D152,141	S	12/1948 Crawford et al.	D416,165	S	11/1999 Zemel
2,502,781	A	4/1950 Erickson	D419,302	S	1/2000 Hardy et al.
2,768,022	A	10/1956 Pope	D426,956	S	* 6/2000 Lacy et al. D3/306
D182,349	S	3/1958 Alvord	D431,907	S	10/2000 Andujar et al.
D189,544	S	1/1961 Harris	D433,709	S	11/2000 Hardy
D189,550	S	1/1961 Alvord	D433,711	S	11/2000 Andujar
D194,513	S	2/1963 Sparling	D434,074	S	11/2000 Hardy
3,120,323	A	2/1964 Sparling	D444,927	S	* 7/2001 Lin D32/37
D204,314	S	4/1966 Bright	D450,481	S	11/2001 Post
3,935,958	A	2/1976 Frangos	D451,675	S	12/2001 Hardy et al.
4,205,406	A	6/1980 Wangkeo et al.	D455,029	S	4/2002 Gusdorf
4,339,048	A	7/1982 McMillen et al.	D458,429	S	* 6/2002 Lenard D34/1
D267,395	S	12/1982 Groenewold et al.	6,461,501	B1	10/2002 Porter

* cited by examiner

