

US00D528288S

(12) **United States Design Patent**  
**Coe et al.**

(10) **Patent No.: US D528,288 S**

(45) **Date of Patent: \*\* Sep. 19, 2006**

(54) **PILLCASE HAVING SEPARABLE PILL STORAGE COMPARTMENTS**

(75) Inventors: **Matthew T. Coe**, Annandale, NJ (US);  
**Richard Costa**, Bedminster, NJ (US);  
**Hung Mach**, Flushing, NY (US)

(73) Assignee: **PharmaDesign Inc.**, Warren, NJ (US)

(\*\*) Term: **14 Years**

(21) Appl. No.: **29/234,566**

(22) Filed: **Jul. 20, 2005**

(51) **LOC (8) Cl.** ..... **03-01**

(52) **U.S. Cl.** ..... **D3/203.3**

(58) **Field of Classification Search** .... D3/203.1-206.8;  
206/530-539; D9/730-733

See application file for complete search history.

(56) **References Cited**

U.S. PATENT DOCUMENTS

D298,803 S	*	12/1988	Ebling	.....	D3/203.3
D451,666 S	*	12/2001	Zastrow	.....	D3/203.3
D463,102 S	*	9/2002	Rosado et al.	.....	D3/203.3
D466,801 S	*	12/2002	Holland	.....	D3/203.3
D473,372 S	*	4/2003	Weitzman	.....	D3/203.3

\* cited by examiner

*Primary Examiner*—Catherine R. Oliver

(74) *Attorney, Agent, or Firm*—Watov & Kipnes P.C.

(57) **CLAIM**

The ornamental design for a pillcase having separable pill storage compartments, as shown and described.

**DESCRIPTION**

FIG. 1 is a top plan view of a pillcase having separable pill storage compartments;

FIG. 2 is a front elevational view thereof;

FIG. 3 is a right side elevational view thereof;

FIG. 4 is a top rear perspective view thereof;

FIG. 5 is a bottom rear perspective view thereof;

FIG. 6 is an exploded view thereof;

FIG. 7 is top plan view thereof with a rear portion shown detached;

FIG. 8 is a rear elevational view thereof with the rear portion shown detached;

FIG. 9 is a bottom plan view thereof with the rear portion shown detached;

FIG. 10 is a top plan view thereof with a front portion shown detached;

FIG. 11 is a front elevational view thereof with the front portion shown detached; and,

FIG. 12 is a bottom plan view thereof with the front portion shown detached.

**1 Claim, 5 Drawing Sheets**

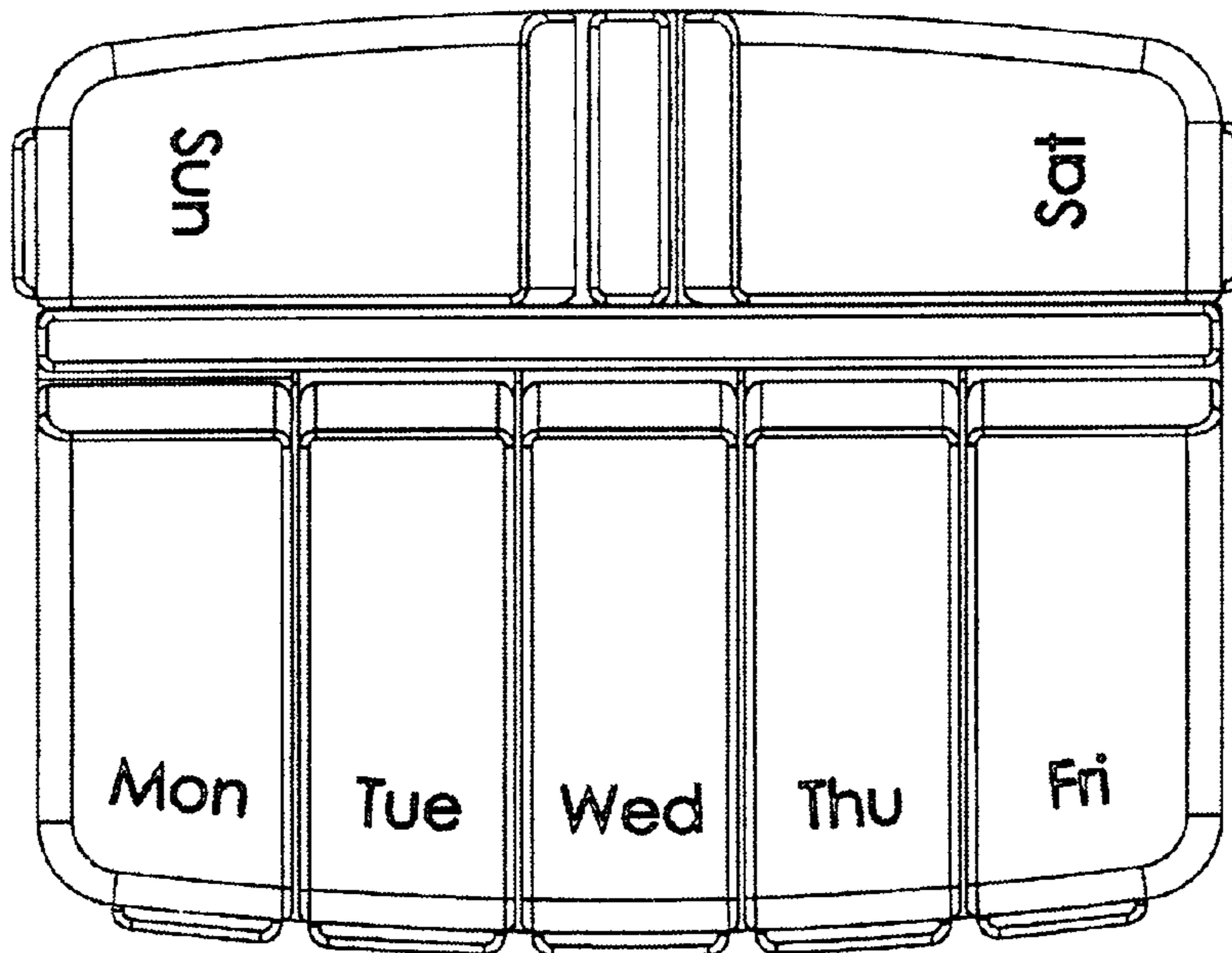


Figure 1

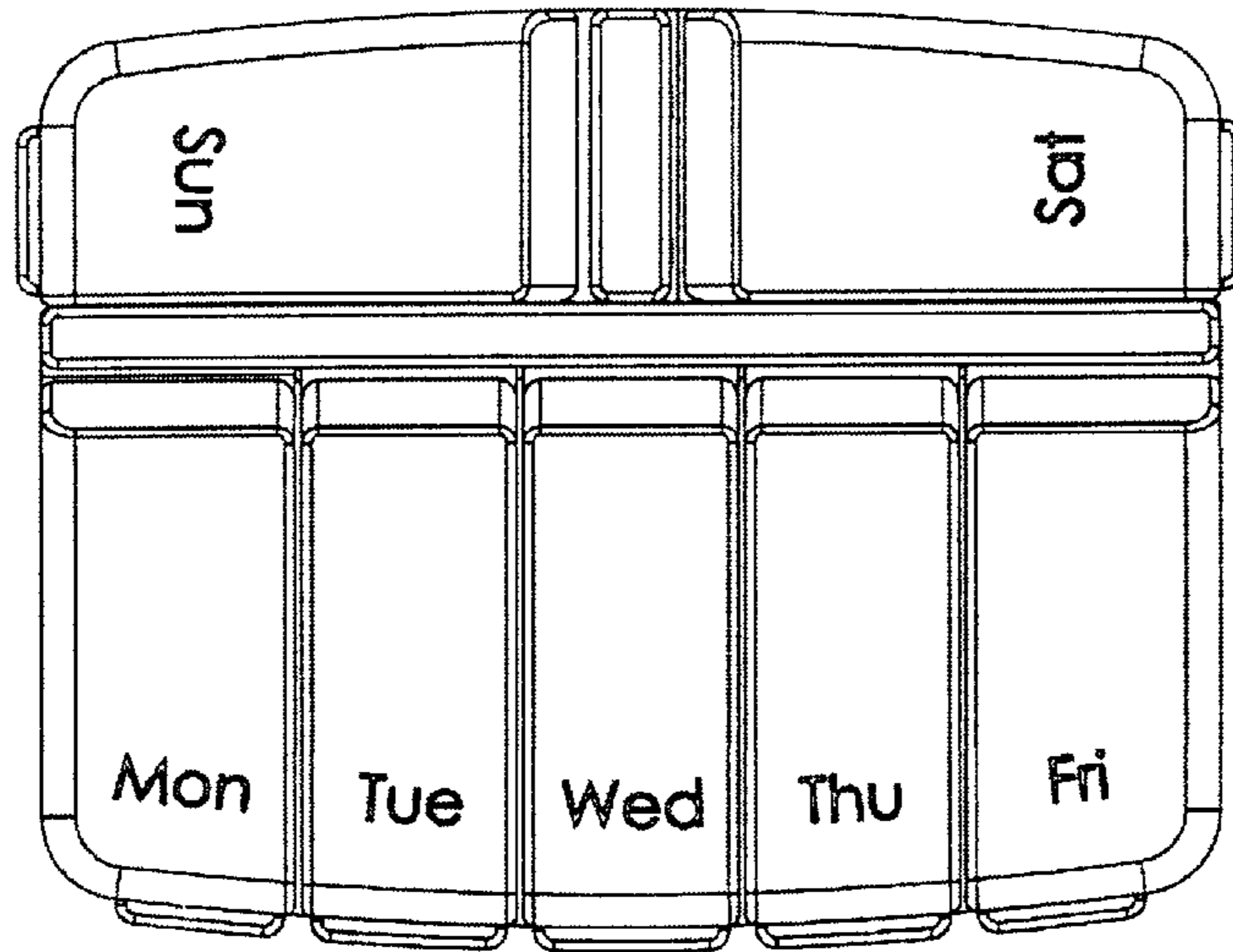


Figure 2

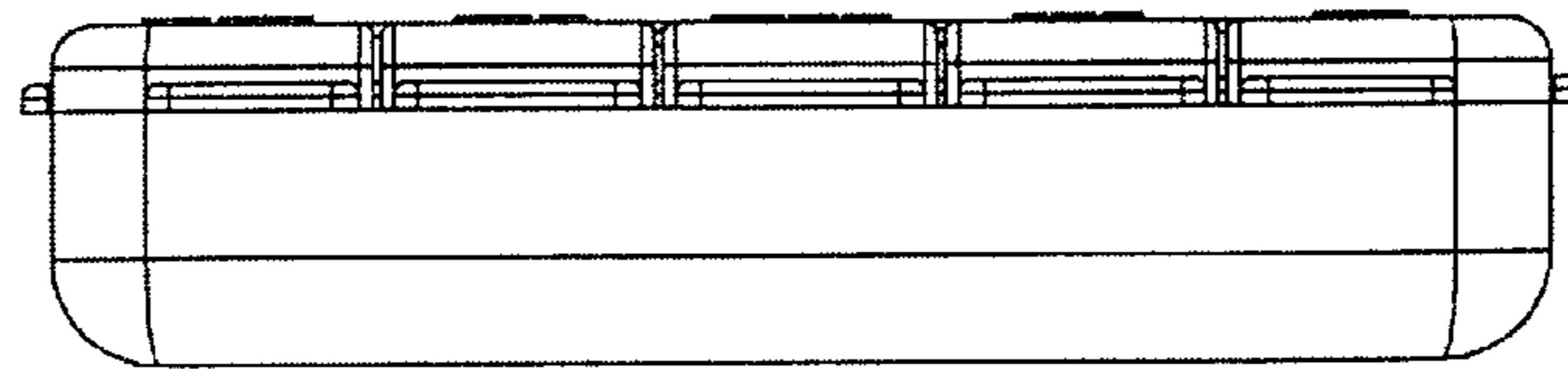


Figure 3

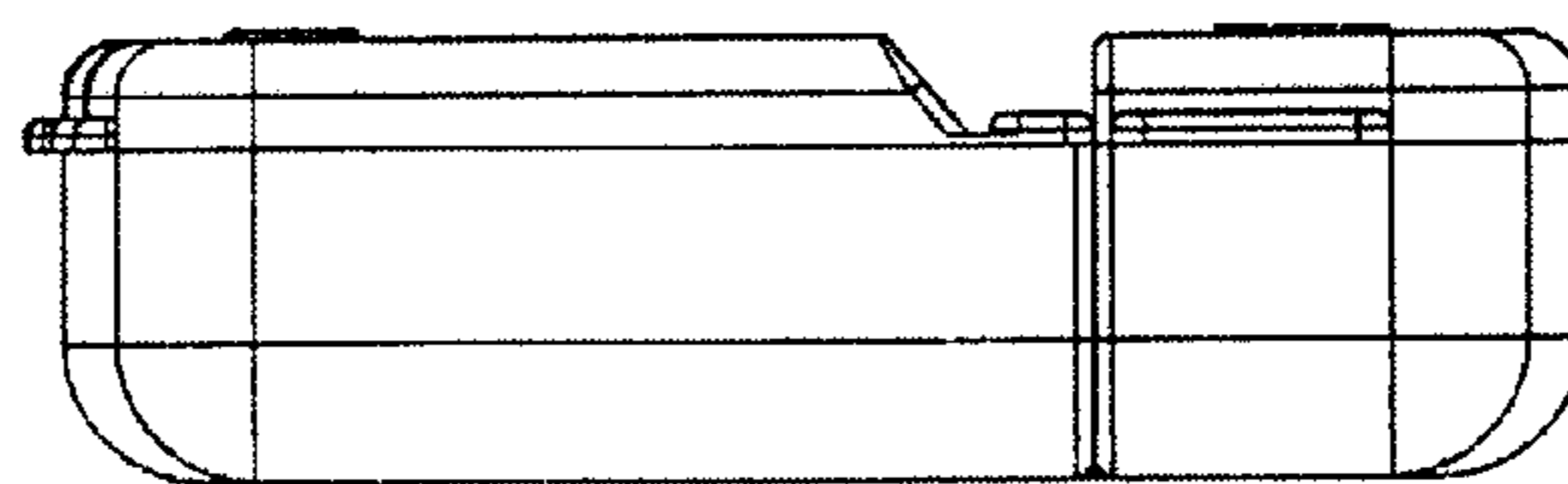


Figure 4

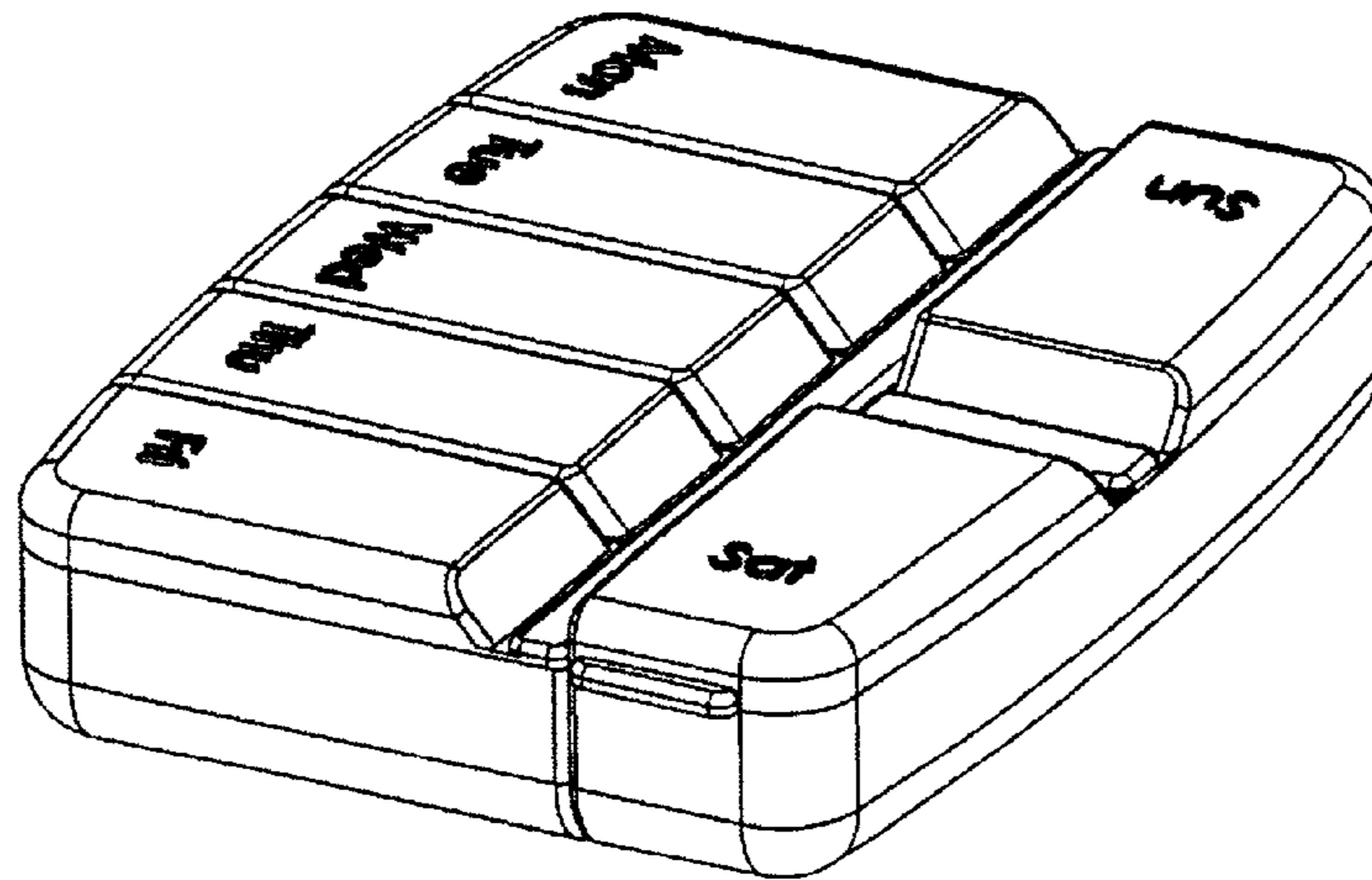


Figure 5

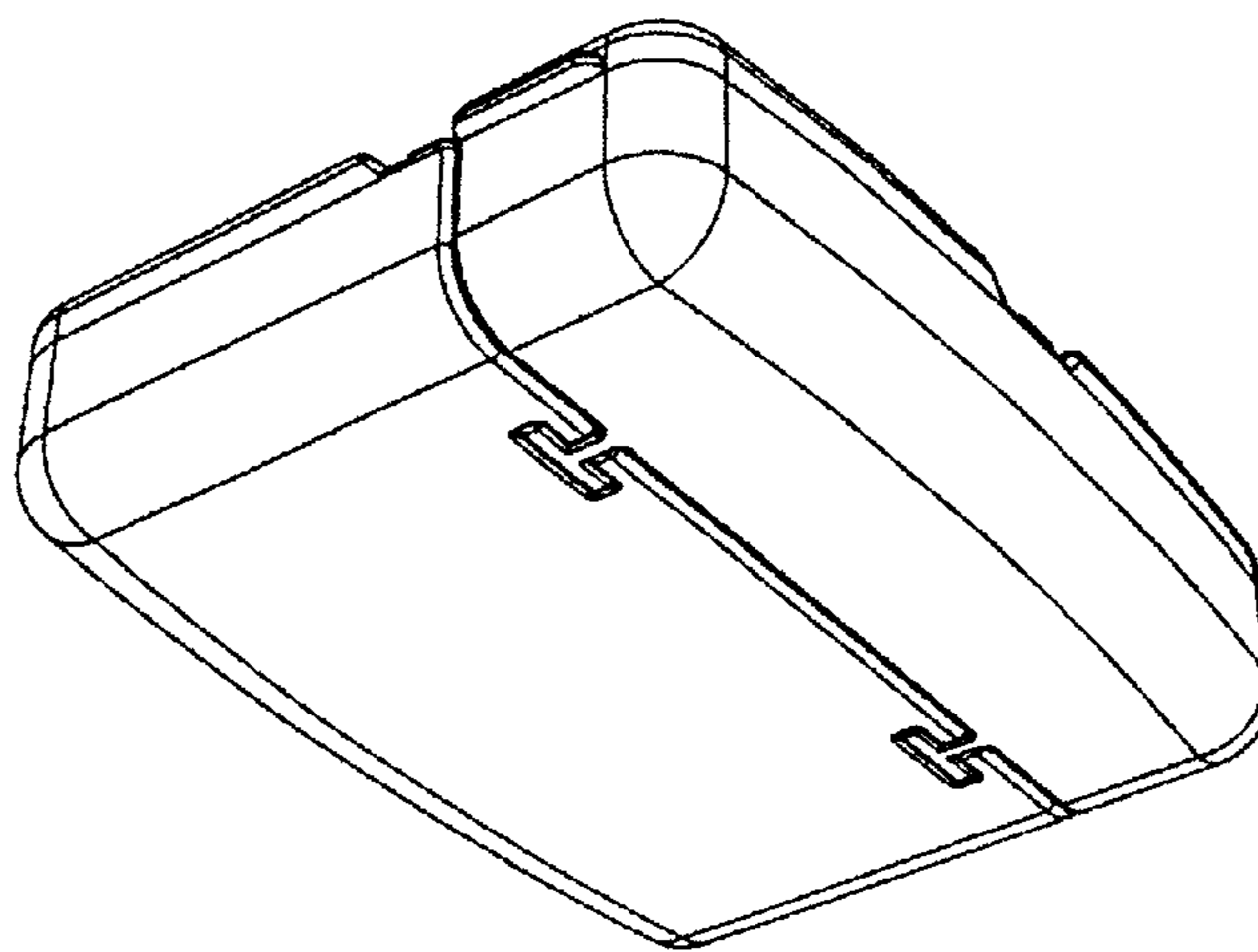


Figure 6

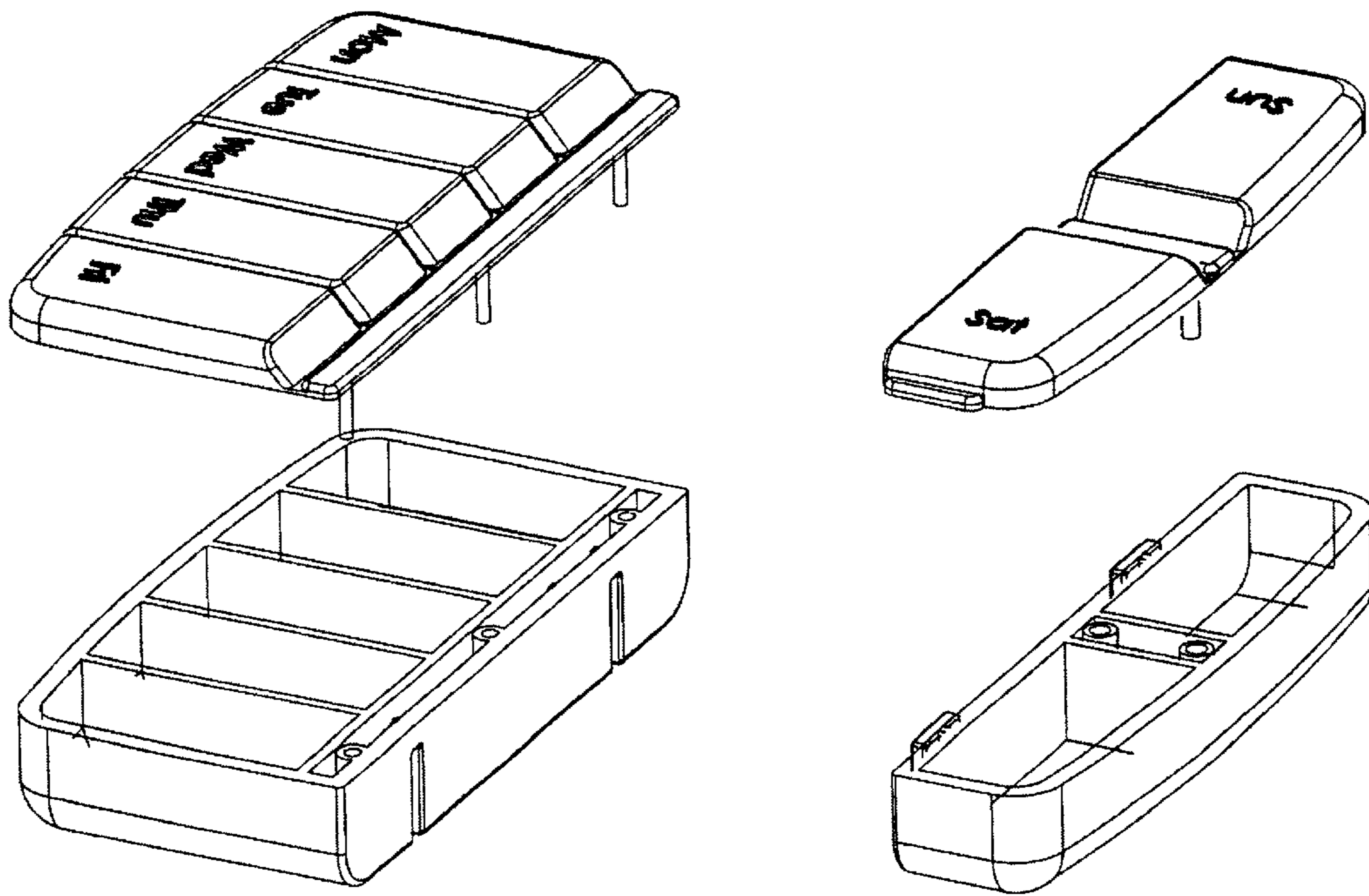


Figure 7

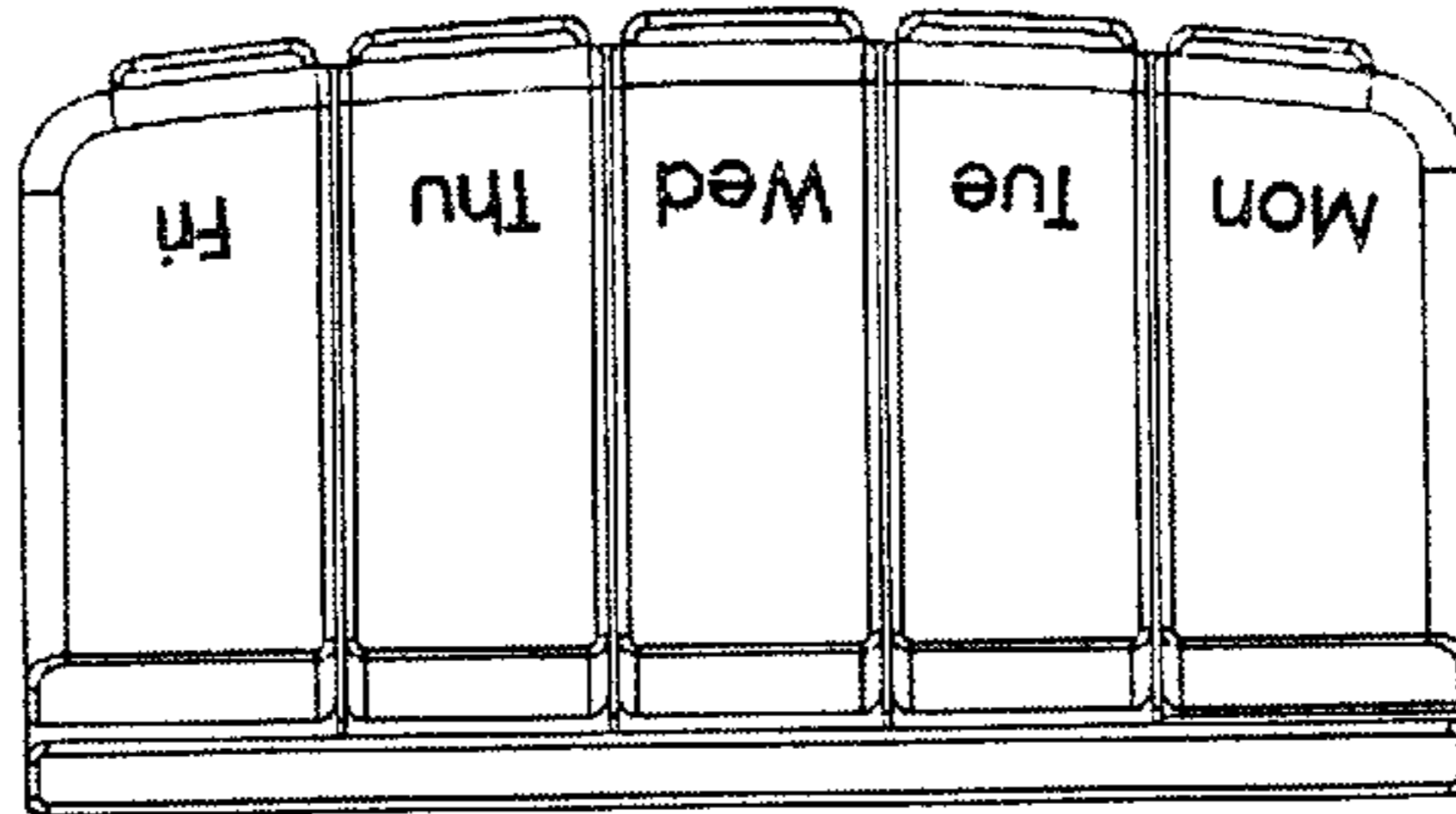


Figure 8

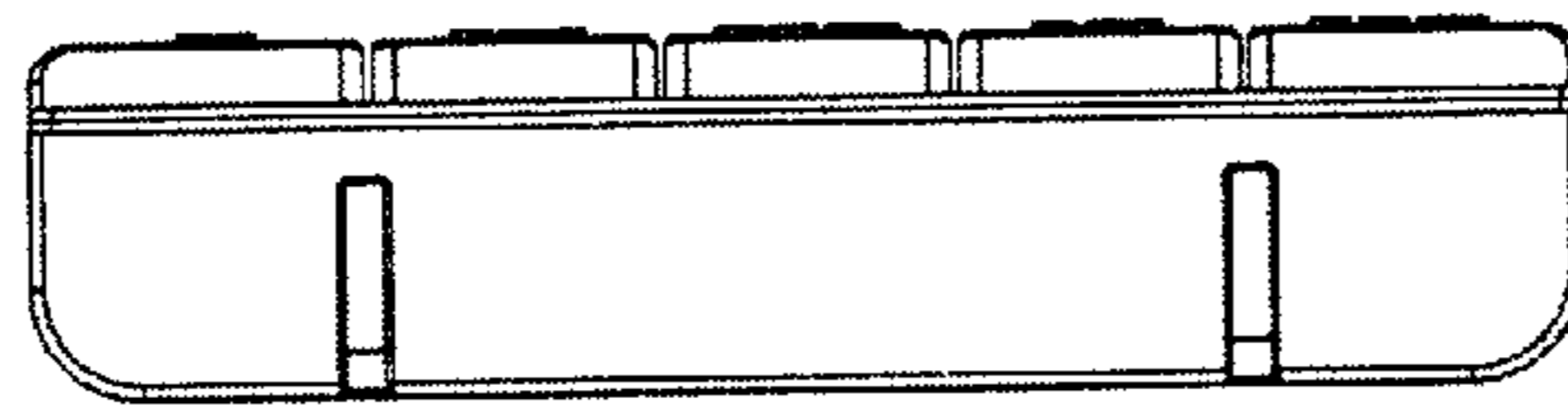


Figure 9

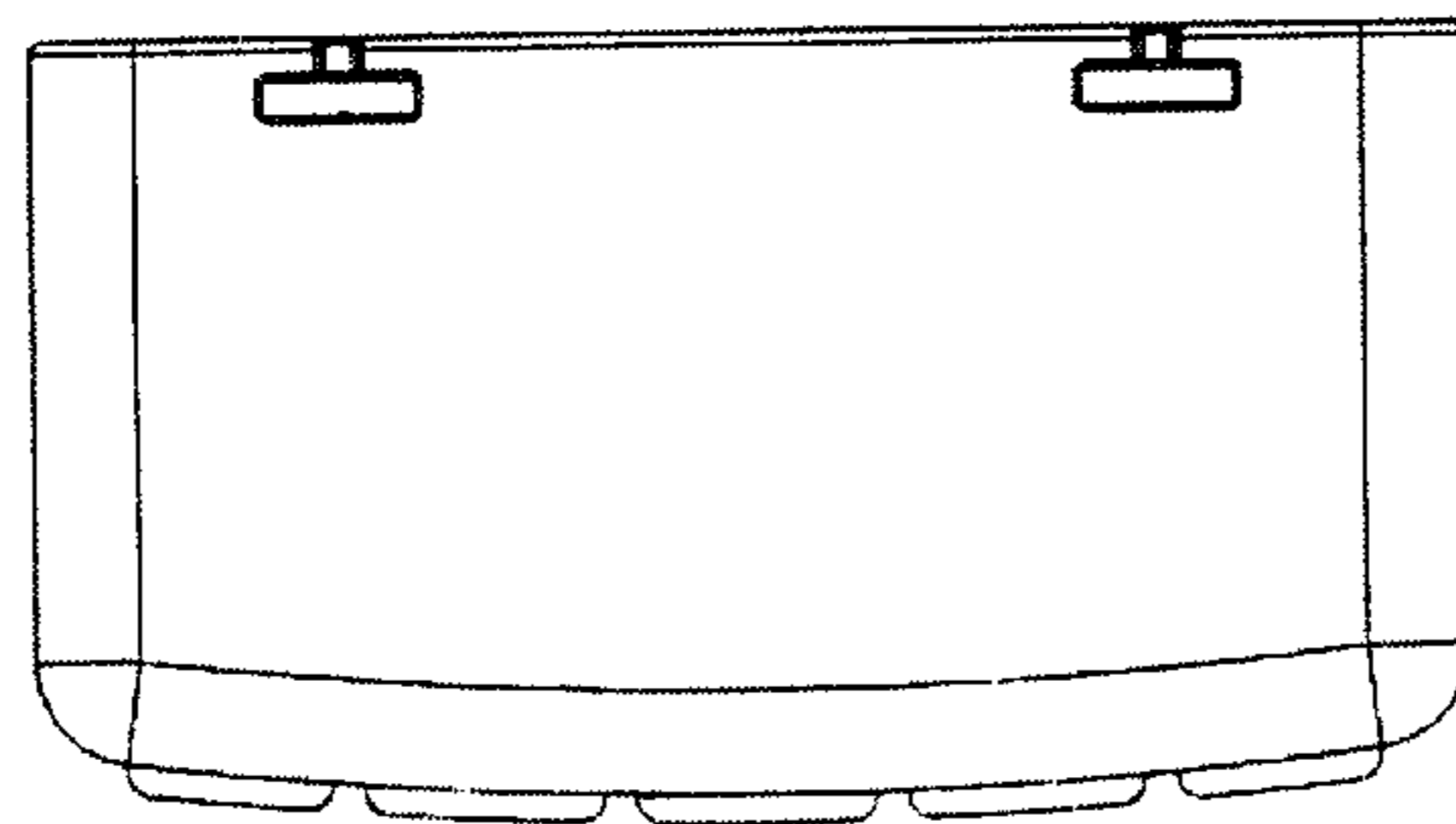


Figure 10

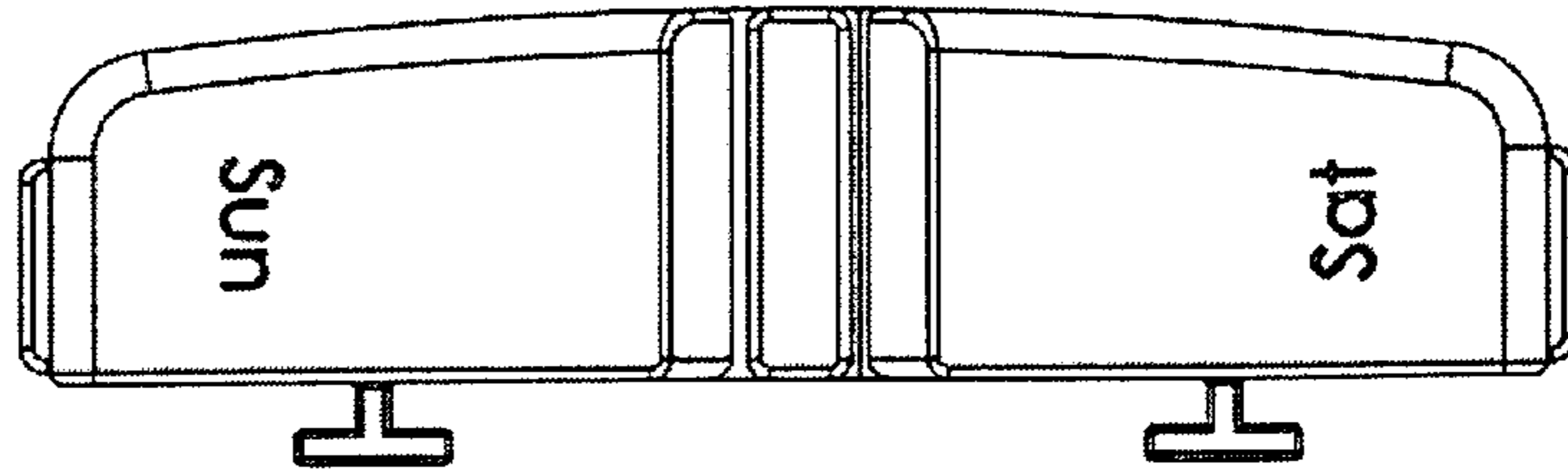


Figure 11

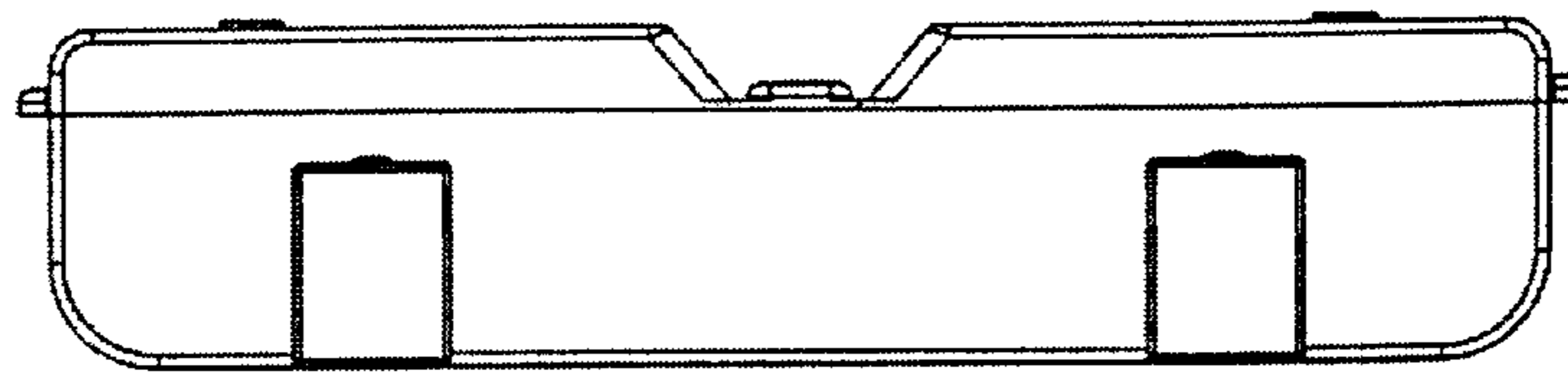


Figure 12

