



US00D528259S

(12) **United States Design Patent**  
**Layne et al.**

(10) **Patent No.:** **US D528,259 S**  
(45) **Date of Patent:** **\*\* Sep. 12, 2006**

(54) **MODULAR LINK OR LINK SECTION FOR USE IN FORMING A RODLESS CONVEYOR BELT**

(75) Inventors: **James L. Layne**, Bowling Green, KY (US); **Otto Jorgen Draebel**, Copenhagen (DK); **Mark T. Johnson**, Glasgow, KY (US); **Michael D. McDaniel**, Glasgow, KY (US)

(73) Assignee: **Span Tech LLC**, Glasgow, KY (US)

(\*\*) Term: **14 Years**

(21) Appl. No.: **29/212,099**

(22) Filed: **Aug. 26, 2004**  
(Under 37 CFR 1.47)

**Related U.S. Application Data**

(63) Continuation of application No. PCT/US03/05666, filed on Feb. 26, 2003.

(51) **LOC (8) Cl.** ..... **12-02**

(52) **U.S. Cl.** ..... **D34/29**

(58) **Field of Classification Search** ..... D34/28,  
D34/29, 35; D8/499; 198/851, 838, 853,  
198/850; 474/212

See application file for complete search history.

(56) **References Cited**

**U.S. PATENT DOCUMENTS**

237,591 A	2/1881	Pope	
377,120 A	1/1888	Schofield	
2,695,095 A	11/1954	Anderson	
3,069,923 A	12/1962	Lengyel	
3,160,024 A	12/1964	Mojonnier	
D202,814 S	* 11/1965	Hall	..... D8/499
3,415,136 A	12/1968	Mojonnier	
3,513,965 A	5/1970	Miller	
3,628,834 A	12/1971	Anderson	
3,879,935 A	4/1975	Fischer	
3,980,425 A	9/1976	Pinettes et al.	
4,394,901 A	7/1983	Roinestad	

D270,202 S	*	8/1983	Hodlowsky et al.	.....	D34/29
4,473,365 A		9/1984	Lapeyre		
4,597,747 A		7/1986	Lapeyre		
D291,777 S	*	9/1987	Lapeyre et al.	.....	D34/29
4,815,270 A		3/1989	Lapeyre		
4,815,271 A		3/1989	Lapeyre		
4,882,901 A		11/1989	Lapeyre		
D307,707 S		5/1990	Abbestam et al.		
4,951,457 A		8/1990	Deal		
4,953,693 A	*	9/1990	Draebel	.....	198/853

(Continued)

**OTHER PUBLICATIONS**

Smart Move Modular Conveyors Products and Accessories Catalog, Fall River, MA.

Rex MatTop Chains, "New 5700 Series High Performance Chains," Bulletin No. 8022, Nov. 1993, Rexnord Corporation, Milwaukee, WI.

"Smart Move. We are the Safest Conveyor on the Market Today," SmartMove Modular Conveyors, www.4smartmove.com/smartmove.htm, Fall River, MA.

*Primary Examiner*—Cynthia E. Ramirez

(74) *Attorney, Agent, or Firm*—King & Schickli, PLLC

(57) **CLAIM**

The ornamental design of a modular link or link section for use in forming a rodless conveyor belt, as shown and described.

**DESCRIPTION**

FIG. 1 is a perspective view of a first embodiment of the modular link or link section for use in forming a rodless conveyor belt of the present invention;

FIG. 2 is a top plan view of the link of FIG. 1;

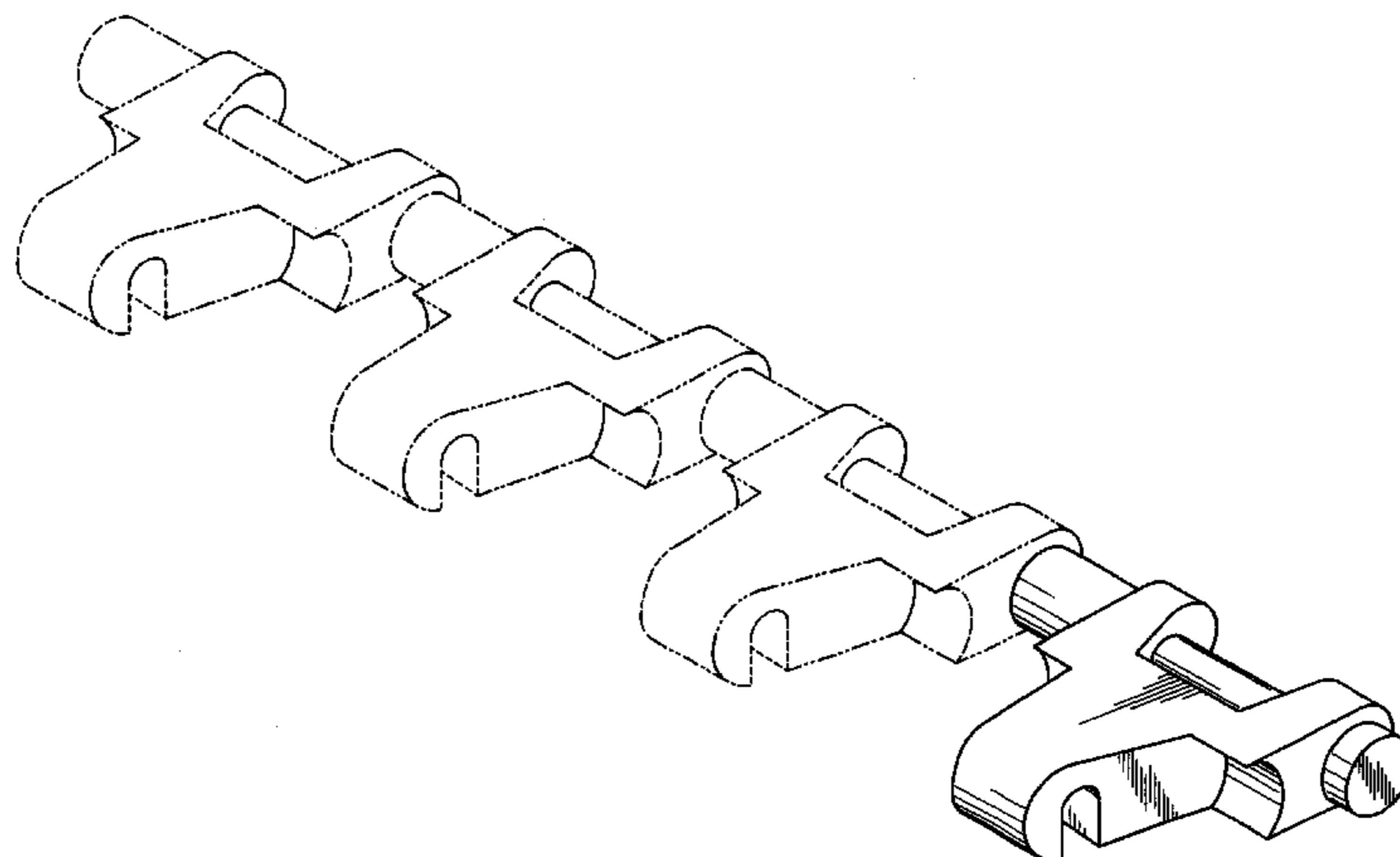
FIG. 3 is a bottom plan view of the link of FIG. 1;

FIG. 4 is a rear elevational view of the link of FIG. 1;

FIG. 5 is a front elevational view of the link of FIG. 1; and, FIG. 6 is a right side elevational view of the link of FIG. 1, the left side being a mirror image thereof.

The broken lines in the drawings are for illustrative purposes only and form no part of the claimed design.

**1 Claim, 3 Drawing Sheets**



# US D528,259 S

Page 2

---

U.S. PATENT DOCUMENTS			
5,031,757	A	7/1991	Draebel et al.
5,215,185	A	6/1993	Counter et al.
D332,213	S *	1/1993	Woyach et al. .... D8/499
5,247,789	A	9/1993	Abbestam et al.
5,346,060	A	9/1994	Ferguson
5,425,443	A	6/1995	van Zijderveld et al.
5,547,071	A	8/1996	Palmaer et al.
5,562,200	A	10/1996	Daringer
5,797,820	A	8/1998	Endo
5,911,305	A *	6/1999	Layne ..... 198/832
5,964,340	A	10/1999	Dolan
5,967,296	A	10/1999	Dolan
5,996,776	A	12/1999	van Zijderveld
D419,742	S	1/2000	Abbestam
D420,483	S	2/2000	Abbestam
D427,898	S *	7/2000	Loh ..... D8/499
6,158,575	A	12/2000	Hitz
6,223,889	B1	5/2001	Layne et al.
6,250,458	B1	6/2001	Shibayama et al.
6,305,530	B1	10/2001	Guldenfels
6,347,699	B1	2/2002	Ramsey
6,357,581	B1 *	3/2002	Guldenfels ..... 198/853
6,364,095	B1	4/2002	Layne et al.
6,382,404	B1	5/2002	Guldenfels
6,443,795	B1	9/2002	Lin
6,471,047	B1	10/2002	Shibayama et al.
6,473,945	B1	11/2002	Draper
D473,032	S	4/2003	Altom
D483,168	S	12/2003	McDaniel et al.
D486,289	S *	2/2004	Abbestam ..... D34/29
6,732,856	B1	5/2004	Maine, Jr.
2003/0116409	A1 *	6/2003	Marsetti et al. .... 198/844.1

\* cited by examiner

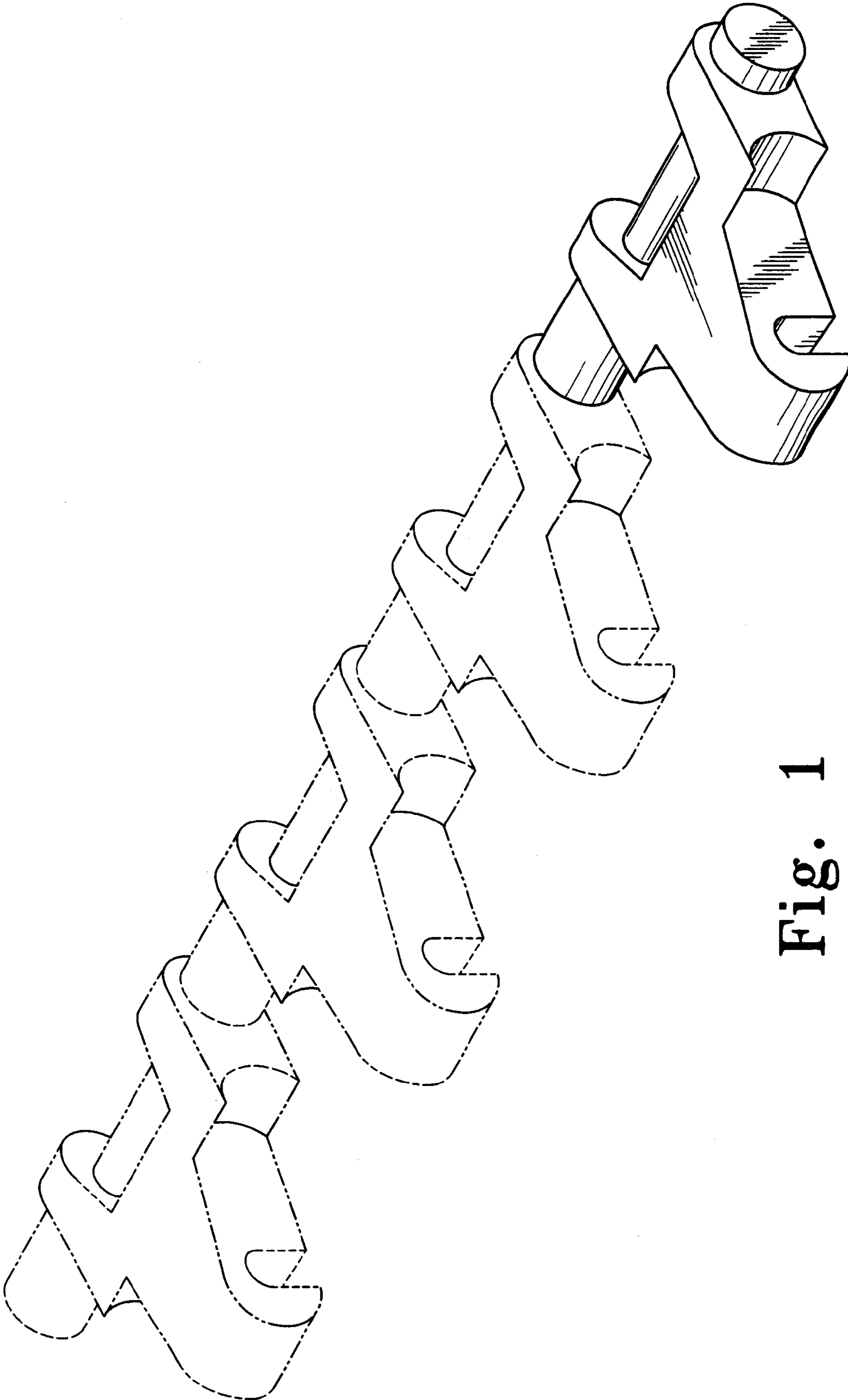


Fig. 1

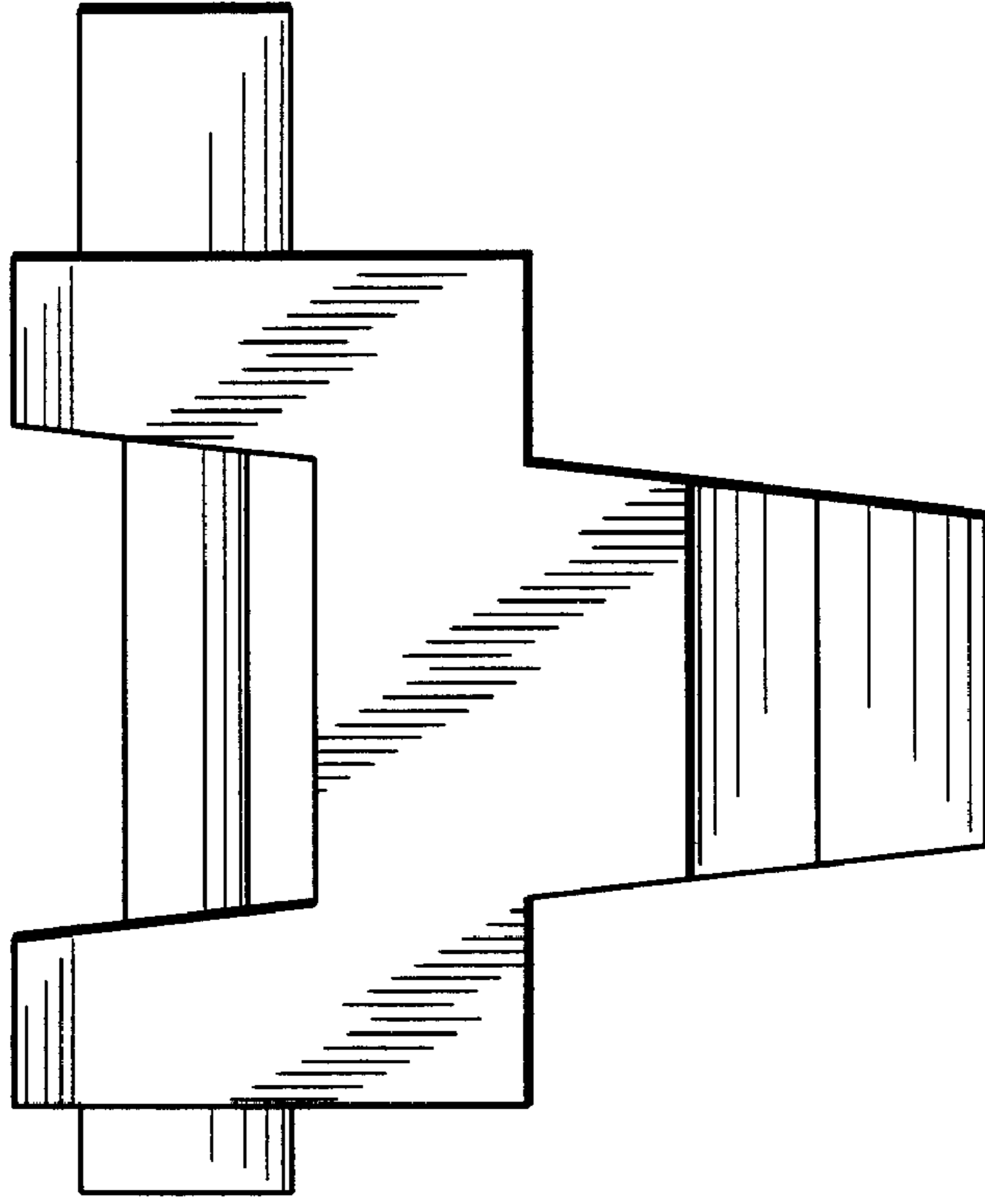


Fig. 3

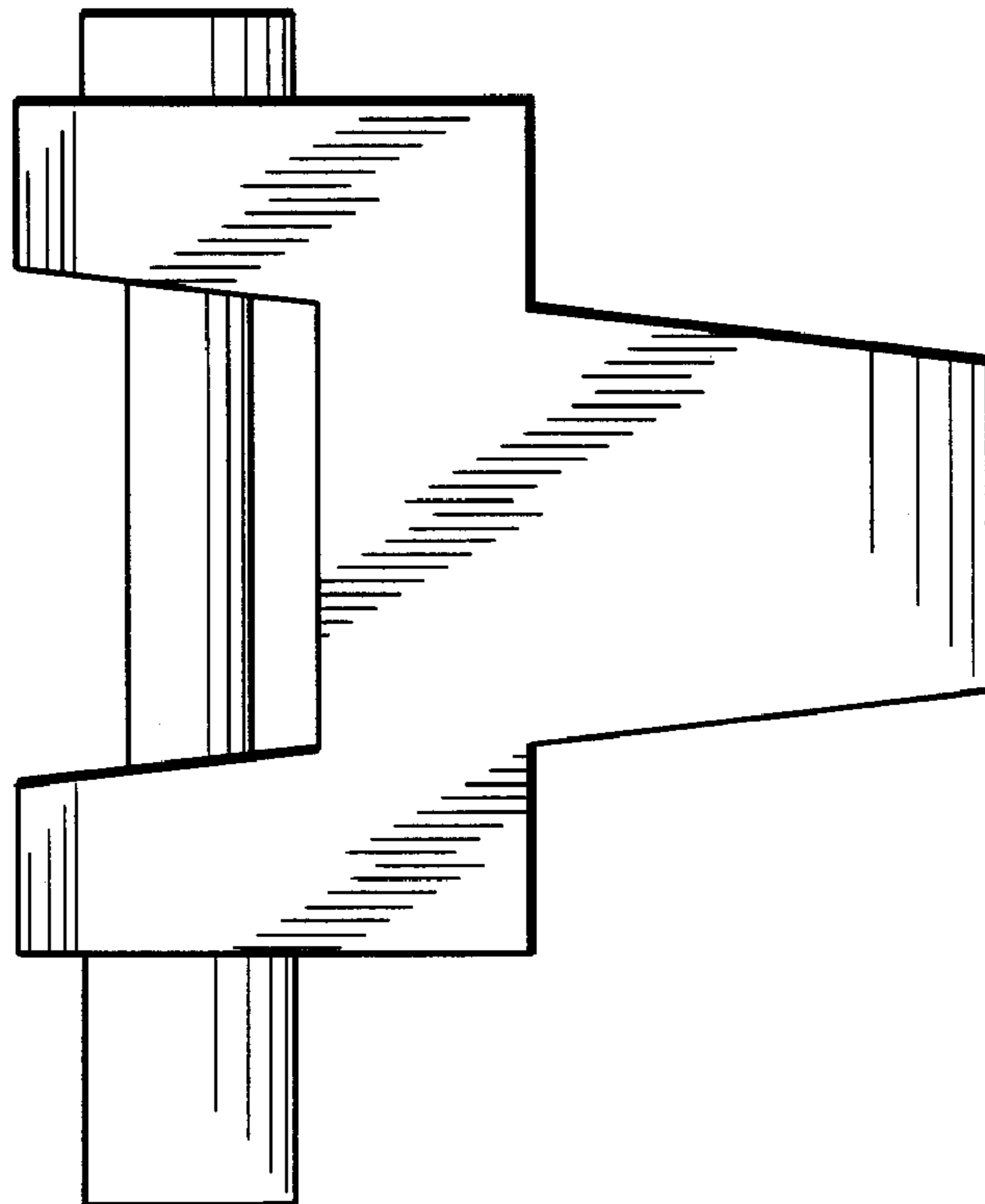


Fig. 2

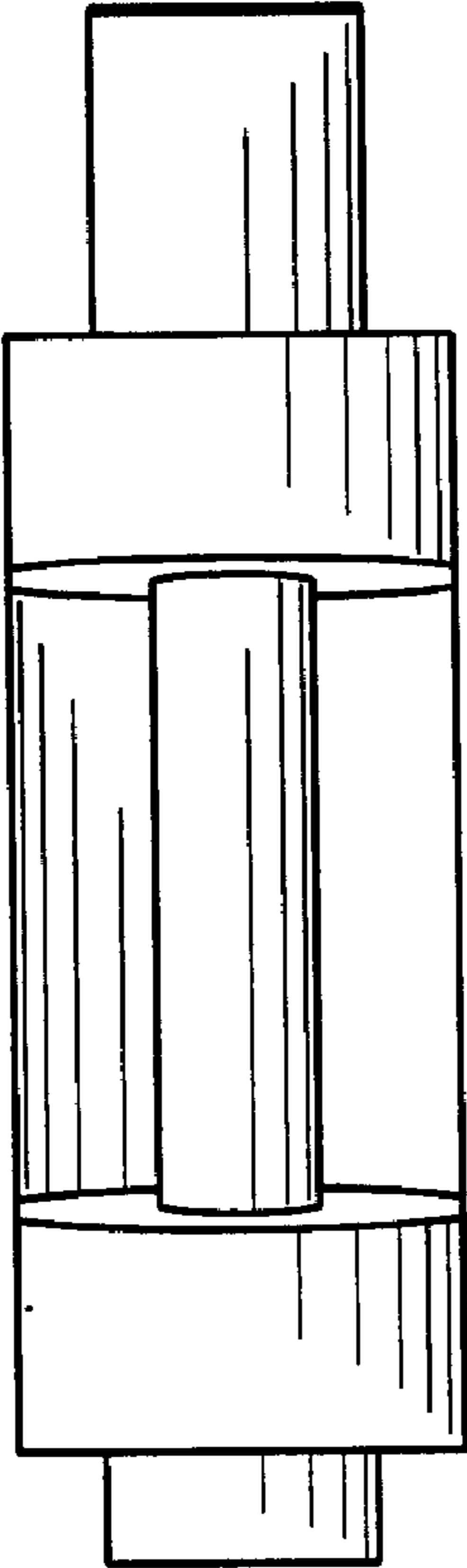


Fig. 4

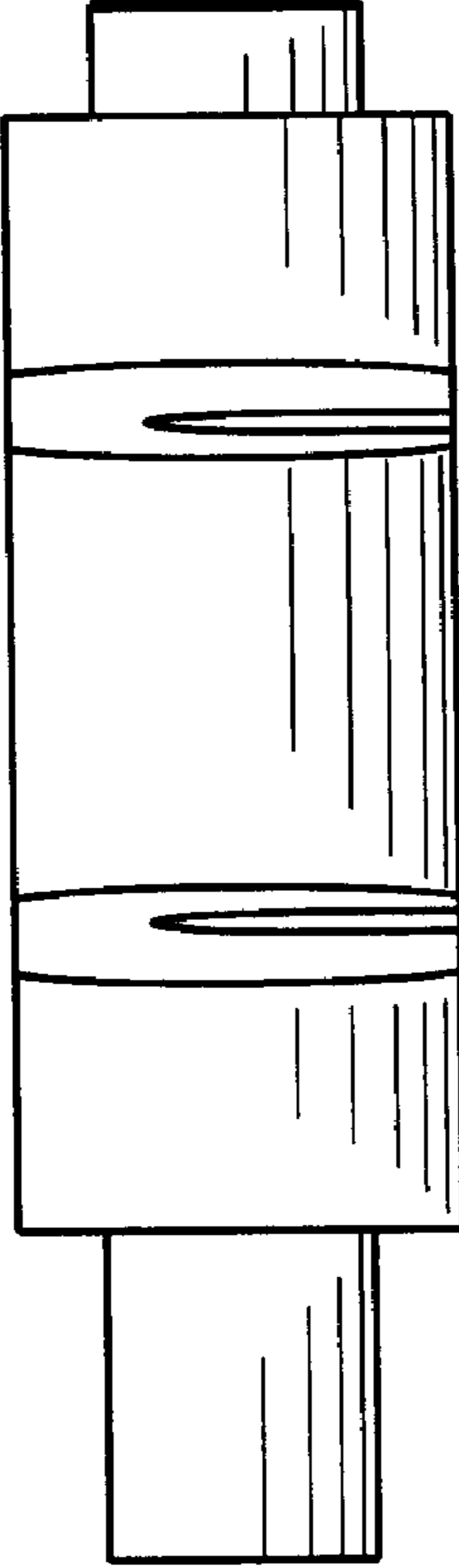


Fig. 5

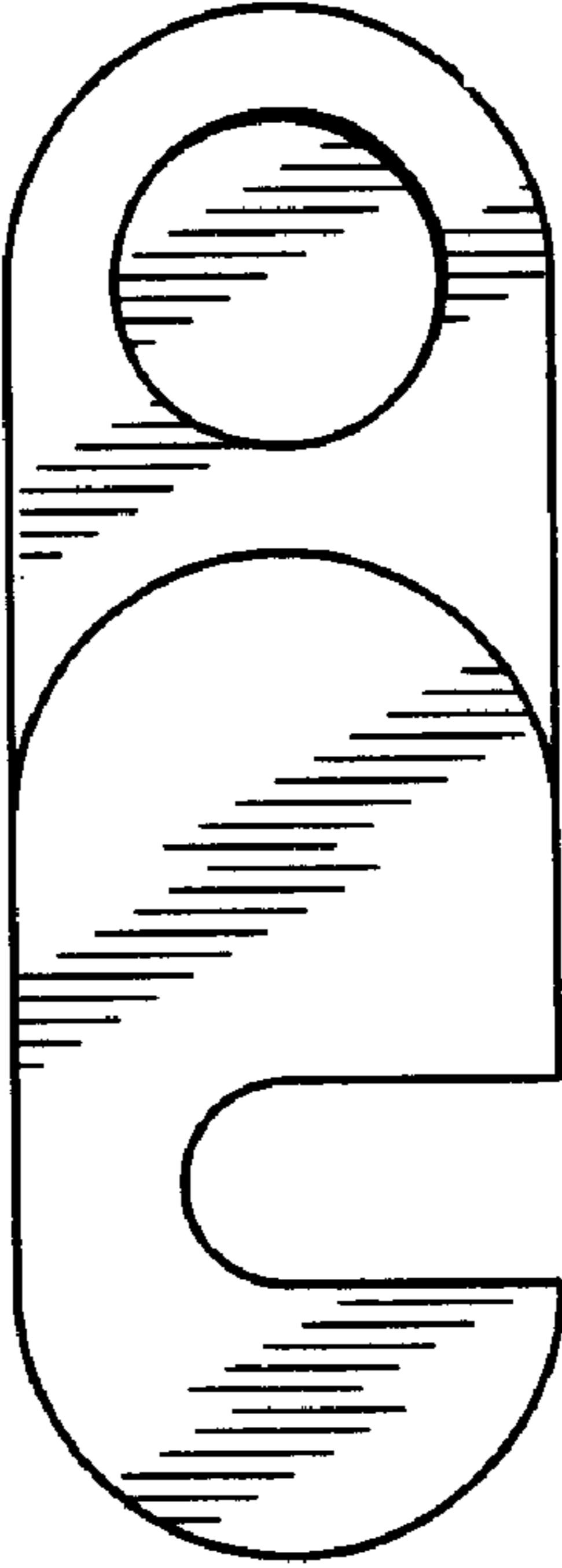


Fig. 6