



US00D528258S

(12) **United States Design Patent** (10) **Patent No.:** **US D528,258 S**
Huguet (45) **Date of Patent:** **** Sep. 12, 2006**

(54) **PORTION OF A DRAWER OF A SERVICE CART**

(75) Inventor: **Marty Huguet**, Greer, SC (US)

(73) Assignee: **Professional Tool Products, LLC**, Greenville, SC (US)

(**) Term: **14 Years**

(21) Appl. No.: **29/211,199**

(22) Filed: **Aug. 12, 2004**

(51) **LOC (8) Cl.** **12-02**

(52) **U.S. Cl.** **D34/27**

(58) **Field of Classification Search** D34/12-27;
D8/315, 316, 317, 313, 300, 301, 302; D6/522,
D6/546

See application file for complete search history.

(56) **References Cited**

U.S. PATENT DOCUMENTS

D66,318	S	*	12/1924	Baker	D8/316
D104,162	S	*	4/1937	Hopkins	D8/316
D116,497	S	*	9/1939	Lingard	D8/317
2,329,767	A		9/1943	Jakeway		
2,525,208	A		10/1950	Clink		
2,575,661	A		11/1951	Hickey		
2,697,244	A		12/1954	Lincke		
2,981,549	A		4/1961	Hotton		
3,997,218	A		12/1976	Wolf et al.		
4,040,695	A	*	8/1977	Brann	312/348.6
D248,923	S	*	8/1978	Spellier	D8/313
4,120,549	A		10/1978	Bureau		
D278,769	S		5/1985	Sharpe		
4,576,425	A	*	3/1986	Pinnow et al.	312/324
D283,263	S		4/1986	Richey		
D283,977	S	*	5/1986	Kunzler	D8/301

(Continued)

OTHER PUBLICATIONS

U.S. Appl. No. 10/746,412, filed Dec. 24, 2003; In re: Huguet, entitled *Service Cart With Protective Bumpers and Recessed Drawer Handles*.

U.S. Appl. No. 29/211,200, filed Aug. 12, 2004; In re: Huguet; entitled *Service Cart*.

Primary Examiner—Freda Nunn

Assistant Examiner—Kevin K. Rudzinski

(74) *Attorney, Agent, or Firm*—Alston & Bird LLP

(57) **CLAIM**

The ornamental design for a portion of a drawer of a service cart, as shown and described.

DESCRIPTION

FIG. 1 is a perspective view of a portion of a service cart according to a first embodiment of the present invention;

FIG. 2 is a front elevation view of the portion of a drawer of a service cart of FIG. 1;

FIG. 3 is a rear elevation view of the portion of a drawer of a service cart of FIG. 1;

FIG. 4 is a top plan view of the portion of a drawer of a service cart of FIG. 1;

FIG. 5 is a right elevation view of the portion of a drawer of a service cart of FIG. 1, with a left elevation view of the portion of a drawer of a service cart of FIG. 1 being a mirror image of FIG. 5;

FIG. 6 is a bottom plan view of the portion of drawer of a service cart of FIG. 1;

FIG. 7 is a perspective view of a portion of a drawer of a service cart according to a second embodiment of the present invention;

FIG. 8 is a front elevation view of the portion of a drawer of a service cart of FIG. 7;

FIG. 9 is a rear elevation view of the portion of a drawer of a service cart of FIG. 7;

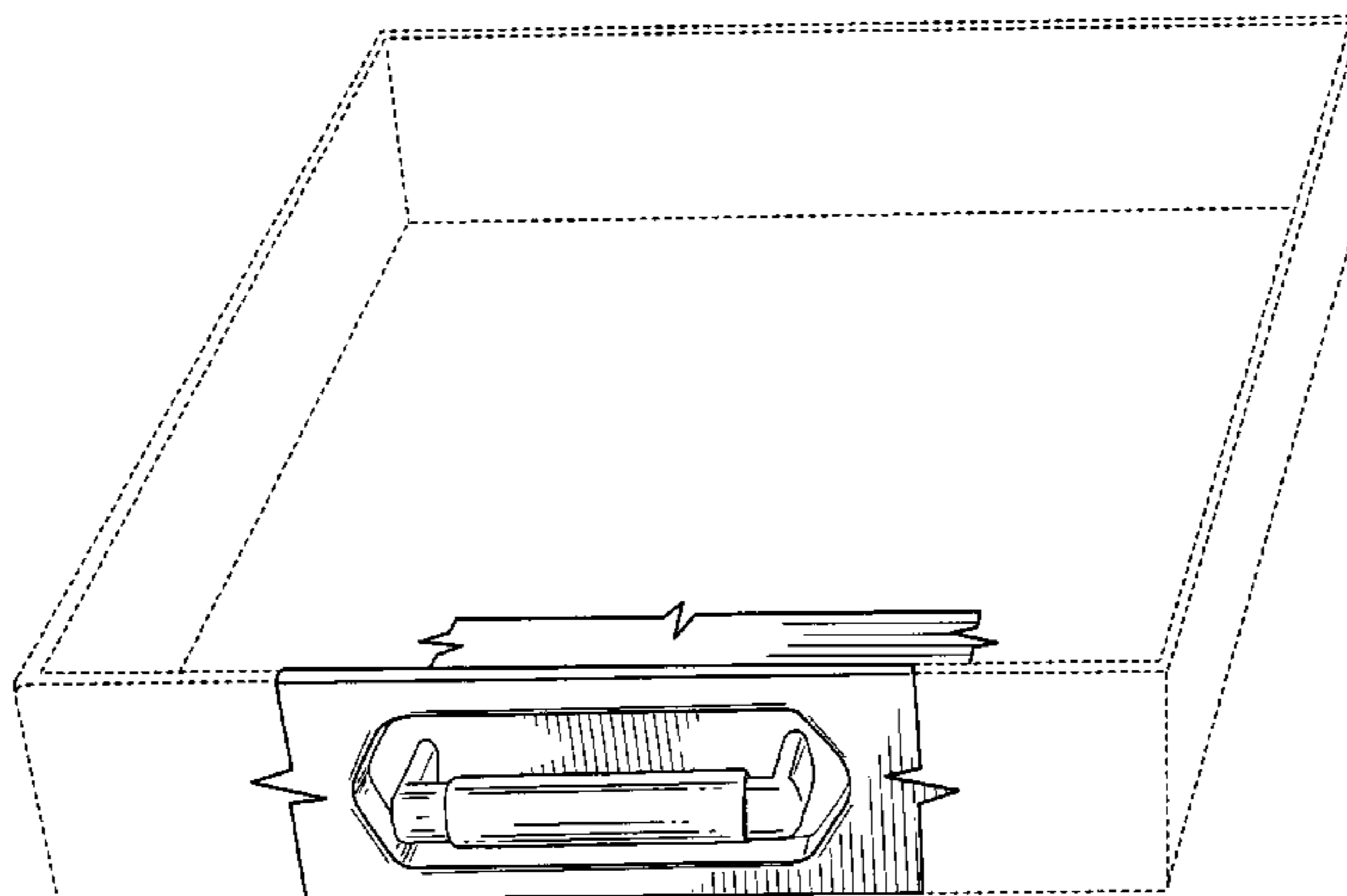
FIG. 10 is a top plan view of the portion of a drawer of a service cart of FIG. 7;

FIG. 11 is a right elevation view of the portion of a drawer of a service cart of FIG. 7, with a left elevation view of the portion of a drawer of a service cart of FIG. 7 being a mirror image of FIG. 11; and,

FIG. 12 if a bottom plan view of the portion of a drawer of a service cart of FIG. 7.

The broken lines shown herein are for illustrative purposes only and form no part of the claimed design.

1 Claim, 10 Drawing Sheets



US D528,258 S

Page 2

U.S. PATENT DOCUMENTS

4,586,762 A	5/1986	Kennedy et al.	D423,817 S	5/2000	Holcomb et al.
4,880,248 A	11/1989	Elmer	D423,818 S	5/2000	Holcomb et al.
5,221,132 A	6/1993	Combs et al.	D427,807 S	7/2000	Holcomb et al.
D337,404 S	7/1993	Miles	6,264,219 B1	7/2001	Smith
5,489,106 A	2/1996	Engelking et al.	D469,329 S *	1/2003	Martin D8/301
5,588,659 A	12/1996	Boes et al.	6,578,938 B1	6/2003	Norman et al.
5,673,983 A	10/1997	Carlson et al.	2001/0035702 A1	11/2001	Murphy et al.
5,720,535 A	2/1998	Mehman	2003/0155729 A1	8/2003	Chen
5,913,582 A	6/1999	Coonan			

* cited by examiner

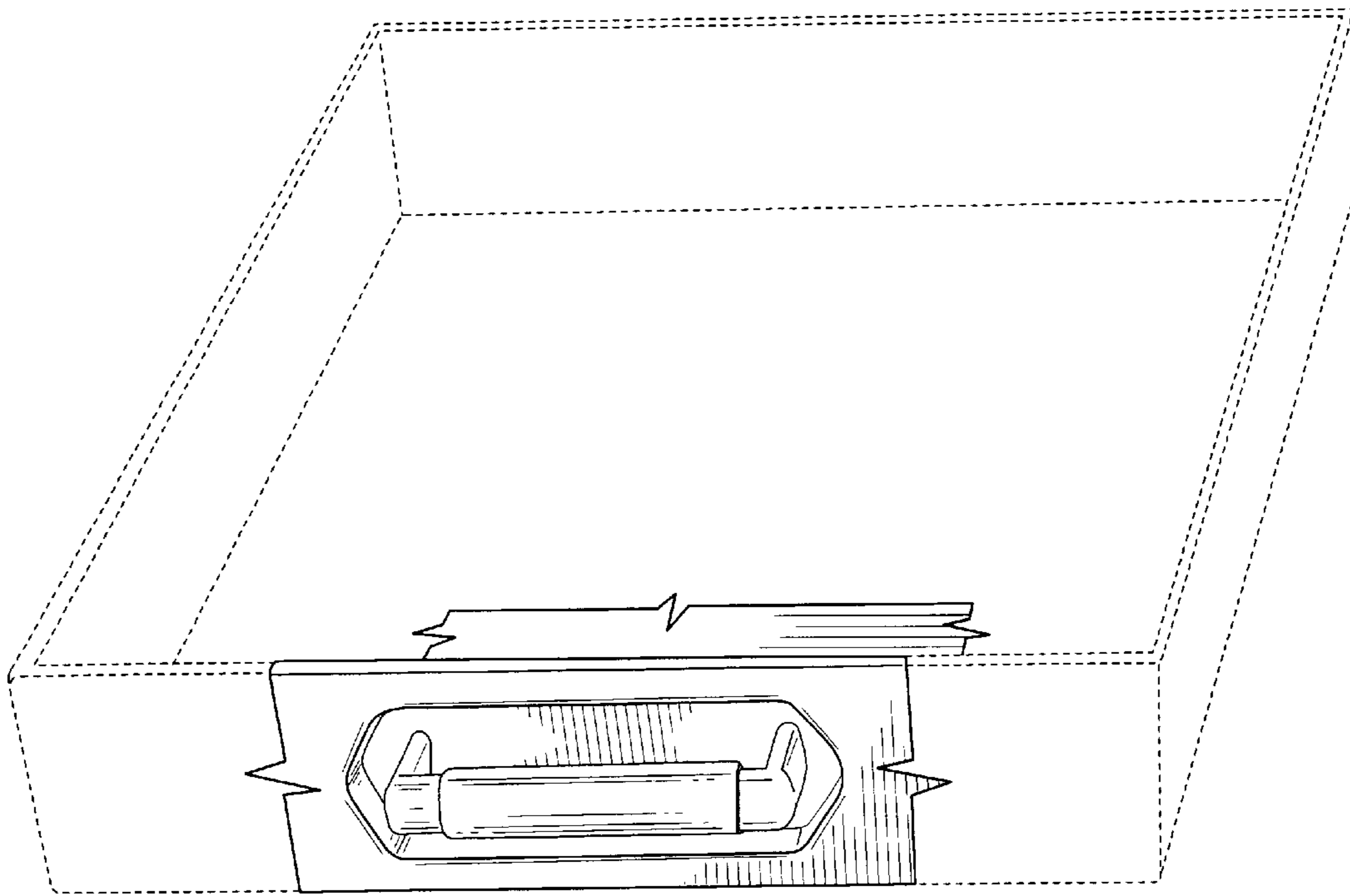


FIG. 1

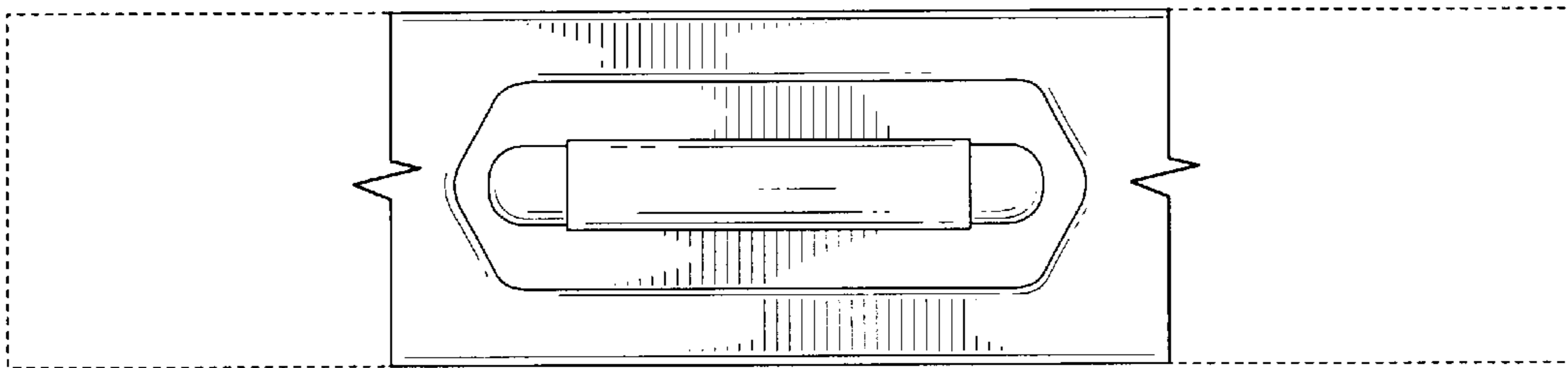


FIG. 2



FIG. 3

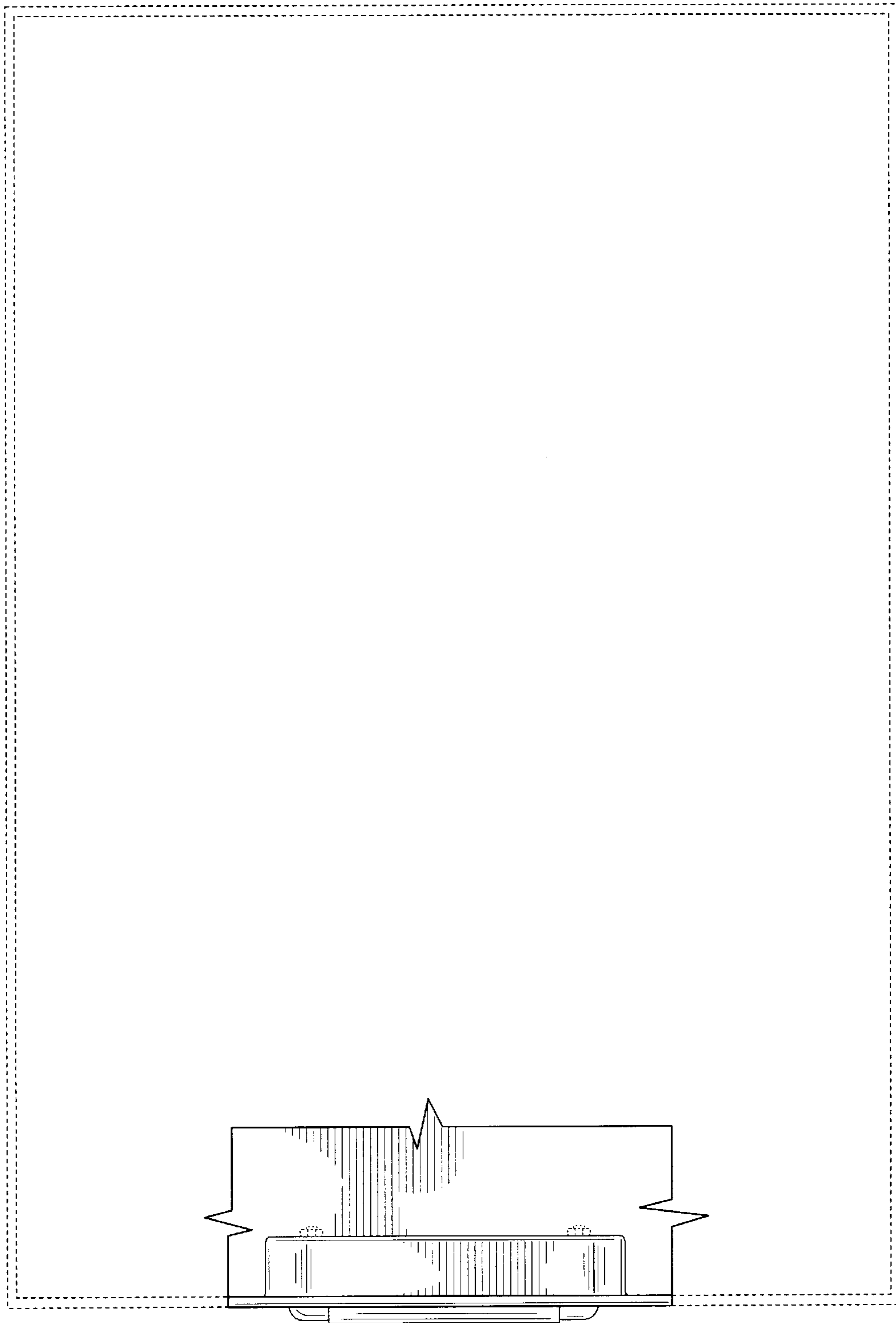


FIG. 4

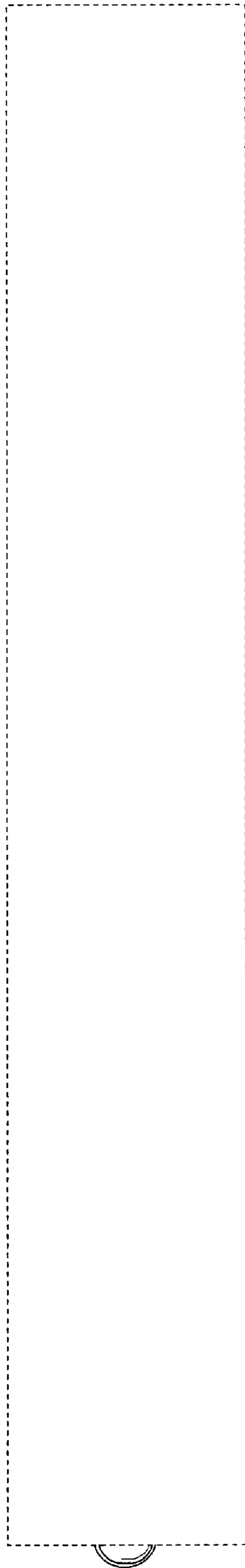


FIG. 5

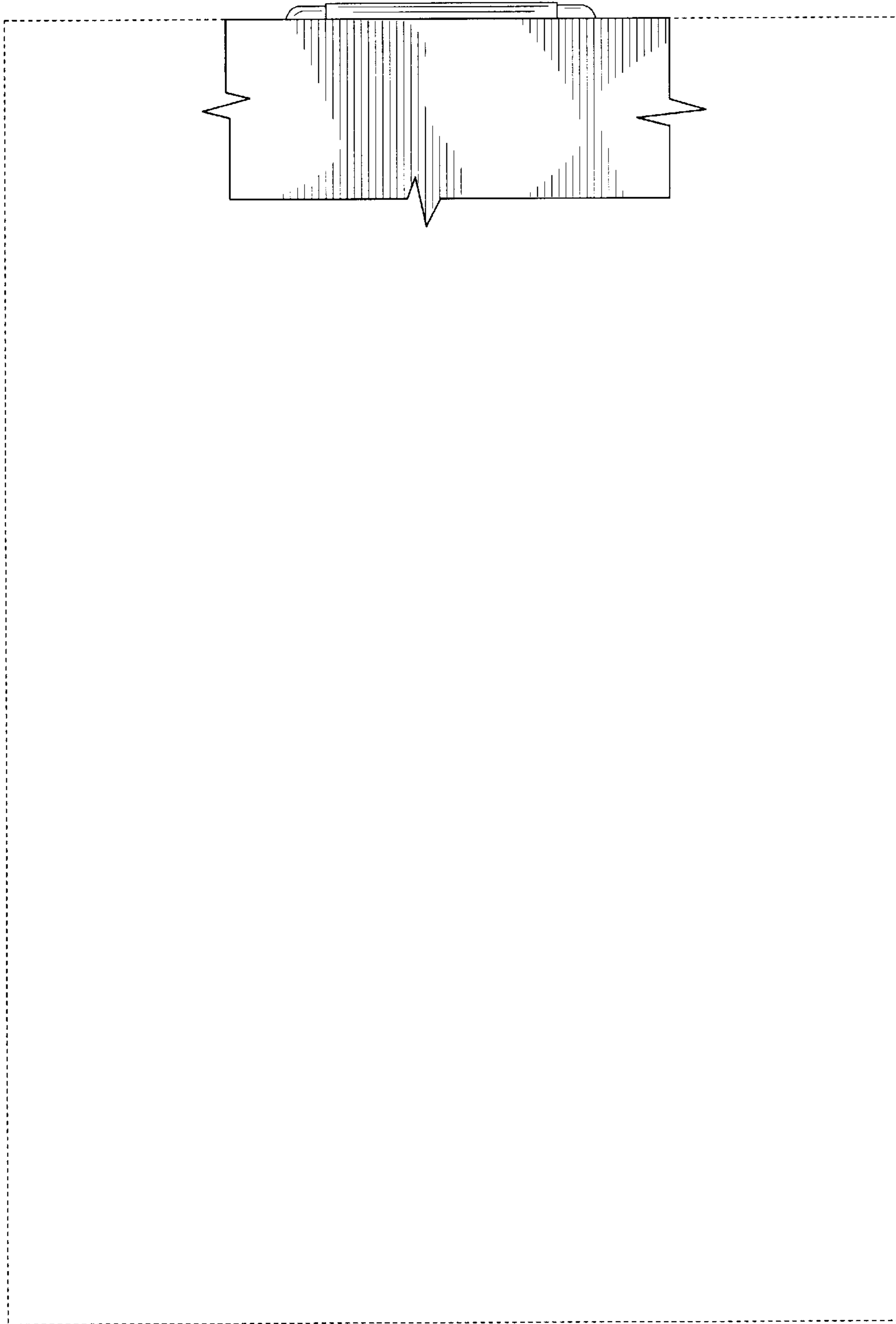


FIG. 6

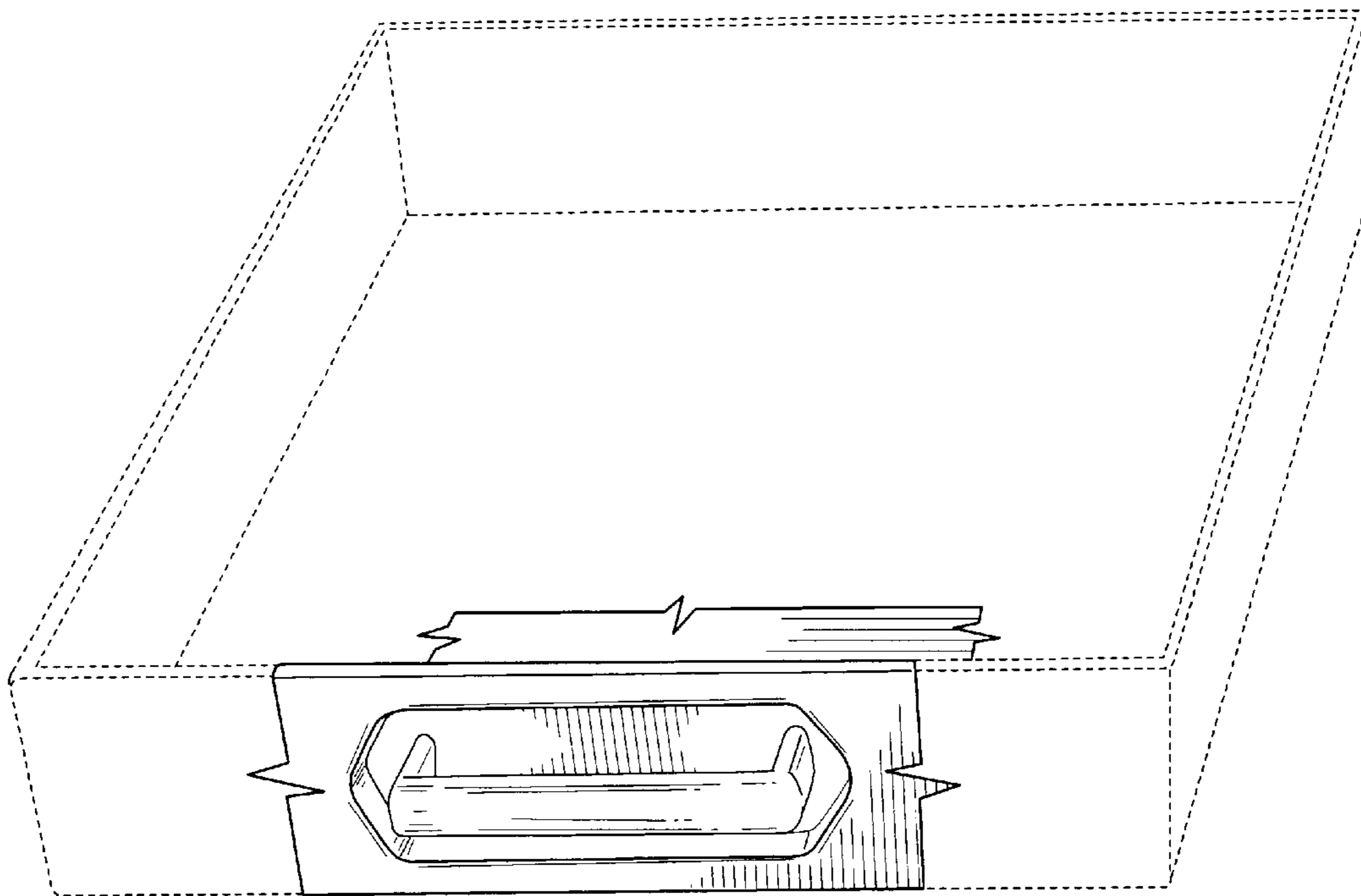


FIG. 7

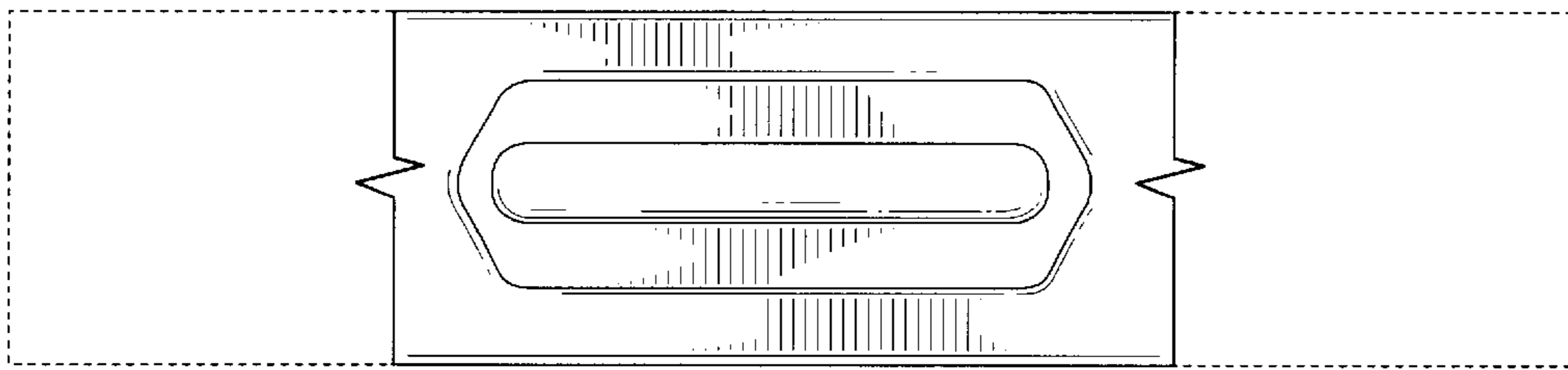


FIG. 8

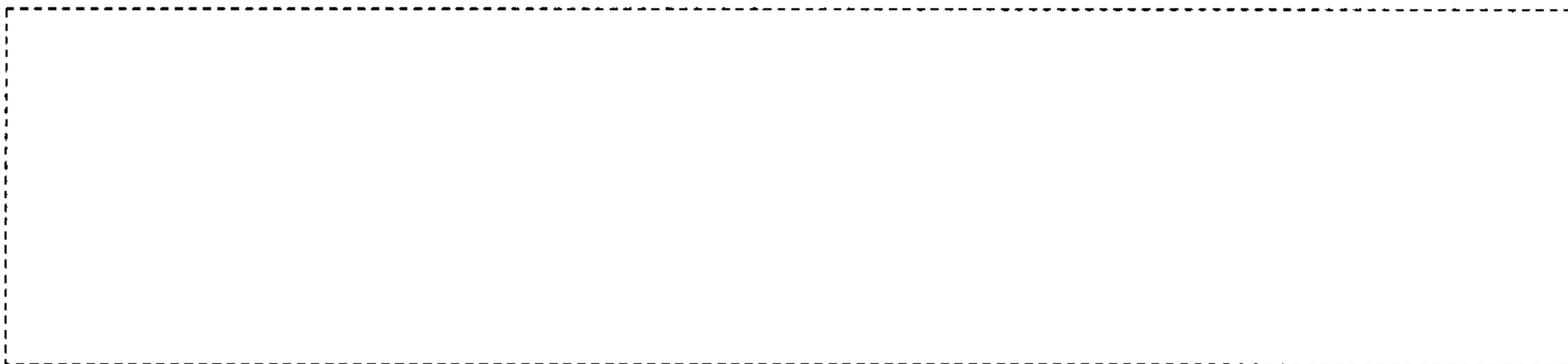


FIG. 9

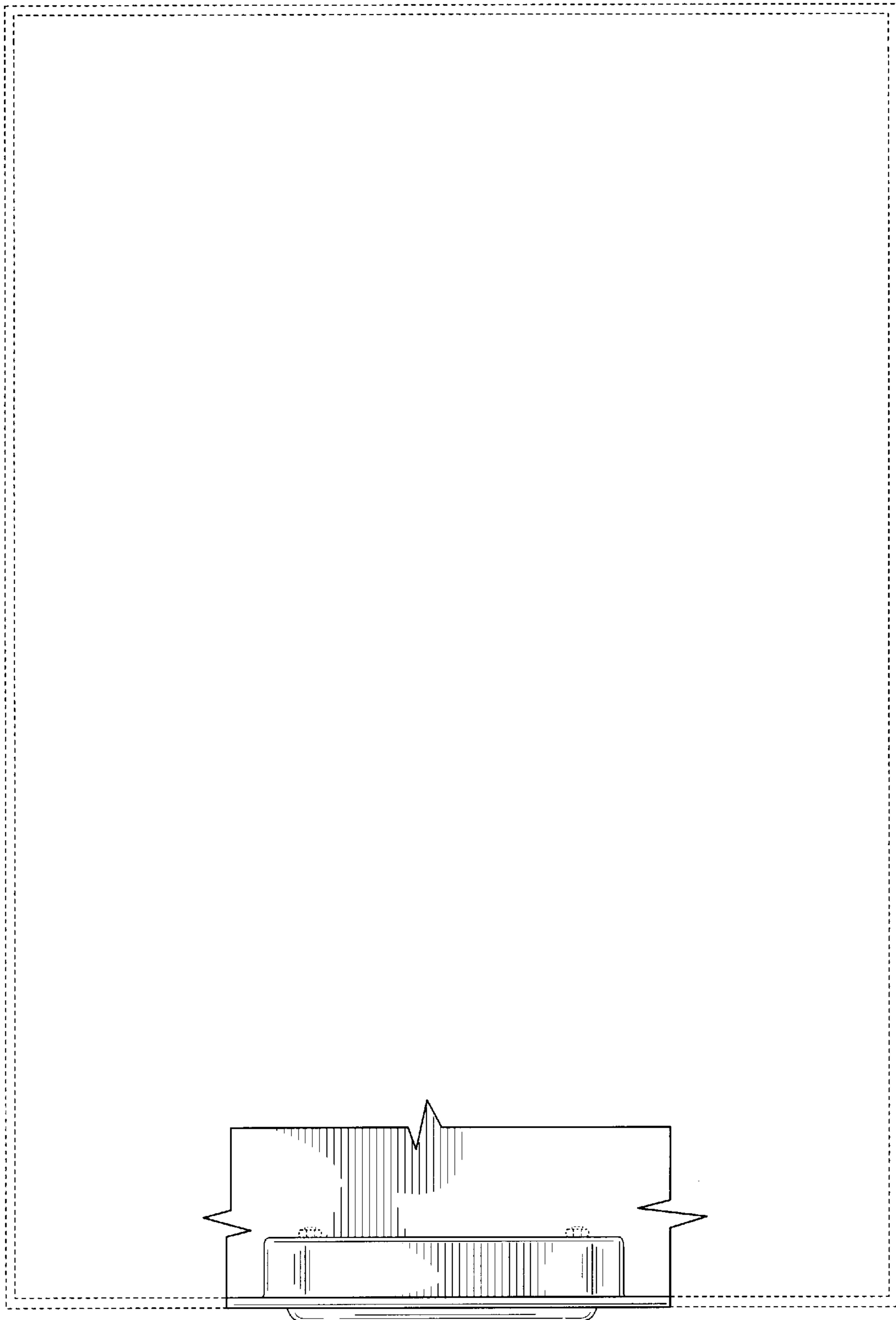


FIG. 10

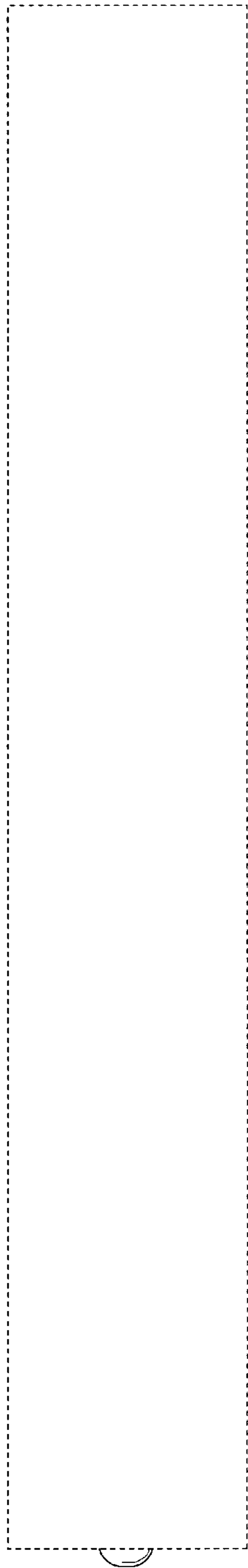


FIG. 11

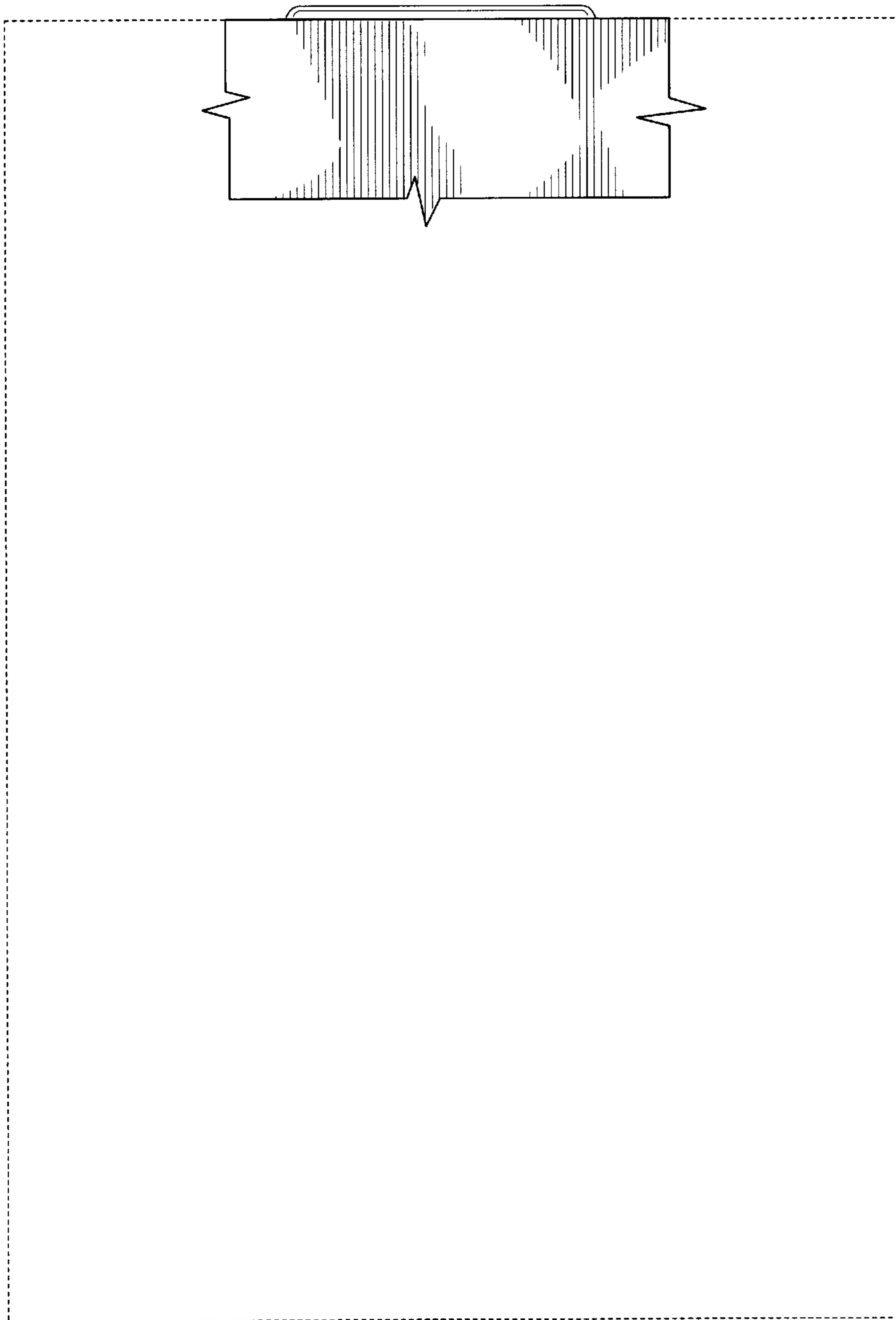


FIG. 12

UNITED STATES PATENT AND TRADEMARK OFFICE
CERTIFICATE OF CORRECTION

PATENT NO. : Des. 528,258 S
APPLICATION NO. : 29/211199
DATED : September 12, 2006
INVENTOR(S) : Huguet

Page 1 of 1

It is certified that error appears in the above-identified patent and that said Letters Patent is hereby corrected as shown below:

Title page.

In the DESCRIPTION,

Line 1, after "portion of a" insert --drawer of a--;

Line 13, after "portion of" insert --a--;

Line 28, "FIG. 12 if a" should read --FIG. 12 is a--.

Signed and Sealed this

Twenty-seventh Day of February, 2007

A handwritten signature in black ink on a light gray dotted background. The signature reads "Jon W. Dudas" in a cursive style.

JON W. DUDAS

Director of the United States Patent and Trademark Office