



US00D528255S

(12) **United States Design Patent**
Griffin et al.

(10) **Patent No.: US D528,255 S**

(45) **Date of Patent: ** Sep. 12, 2006**

(54) **VACUUM CLEANER**

(75) Inventors: **John Griffin**, Phoenix, AZ (US);
Robert L. Crevling, Jr., Cogan Station,
PA (US)

(73) Assignee: **Shop Vac Corporation**, Williamsport,
PA (US)

(**) **Term: 14 Years**

(21) Appl. No.: **29/224,356**

(22) Filed: **Feb. 28, 2005**

(51) **LOC (8) Cl. 15-05**

(52) **U.S. Cl. D32/21**

(58) **Field of Classification Search** D32/1,
D32/15-16, 21, 23-24, 31; 15/319, 320-321,
15/323, 327.1, 327.2, 327.3, 327.4, 327.6,
15/327.7, 329, 340.1, 340.2, 347, 353, 383,
15/405, 412; 901/1; 700/245; 318/568.12;
417/236; 56/DIG. 3

See application file for complete search history.

(56) **References Cited**

U.S. PATENT DOCUMENTS

D422,764 S	4/2000	Wood	
D426,355 S	6/2000	Rohn et al.	
D426,359 S	6/2000	Griffin et al.	
D429,856 S	8/2000	Griffin	
D439,710 S	3/2001	Griffin	
D444,276 S	* 6/2001	Griffin	D32/31
D445,549 S	7/2001	Griffin	
D446,892 S	8/2001	Griffin	
D447,293 S	8/2001	Griffin	
D447,842 S	9/2001	Griffin	
D447,843 S	9/2001	Griffin	
D447,844 S	9/2001	Griffin	

D460,230 S	*	7/2002	Griffin	D32/31
6,440,191 B1		8/2002	Berfield et al.	
D469,934 S		2/2003	Fry et al.	
D470,280 S		2/2003	Griffin et al.	
D470,281 S		2/2003	Griffin et al.	
D479,371 S		9/2003	Griffin et al.	
D479,372 S		9/2003	Griffin	
D506,857 S	*	6/2005	Griffin	D32/23
D507,386 S	*	7/2005	Griffin et al.	D32/21

OTHER PUBLICATIONS

U.S. Appl. No. 29/206,484, Griffin et al.
U.S. Appl. No. 29/206,583, Griffin et al.
Karcher Catalogue, High Performance Wet and Dry
Vacuum, Dust Extraction and Spray Extraction Machines,
dated 1999, 2 pgs.

* cited by examiner

Primary Examiner—Ruth McInroy
(74) *Attorney, Agent, or Firm*—Marshall, Gerstein & Borun
LLP

(57) **CLAIM**

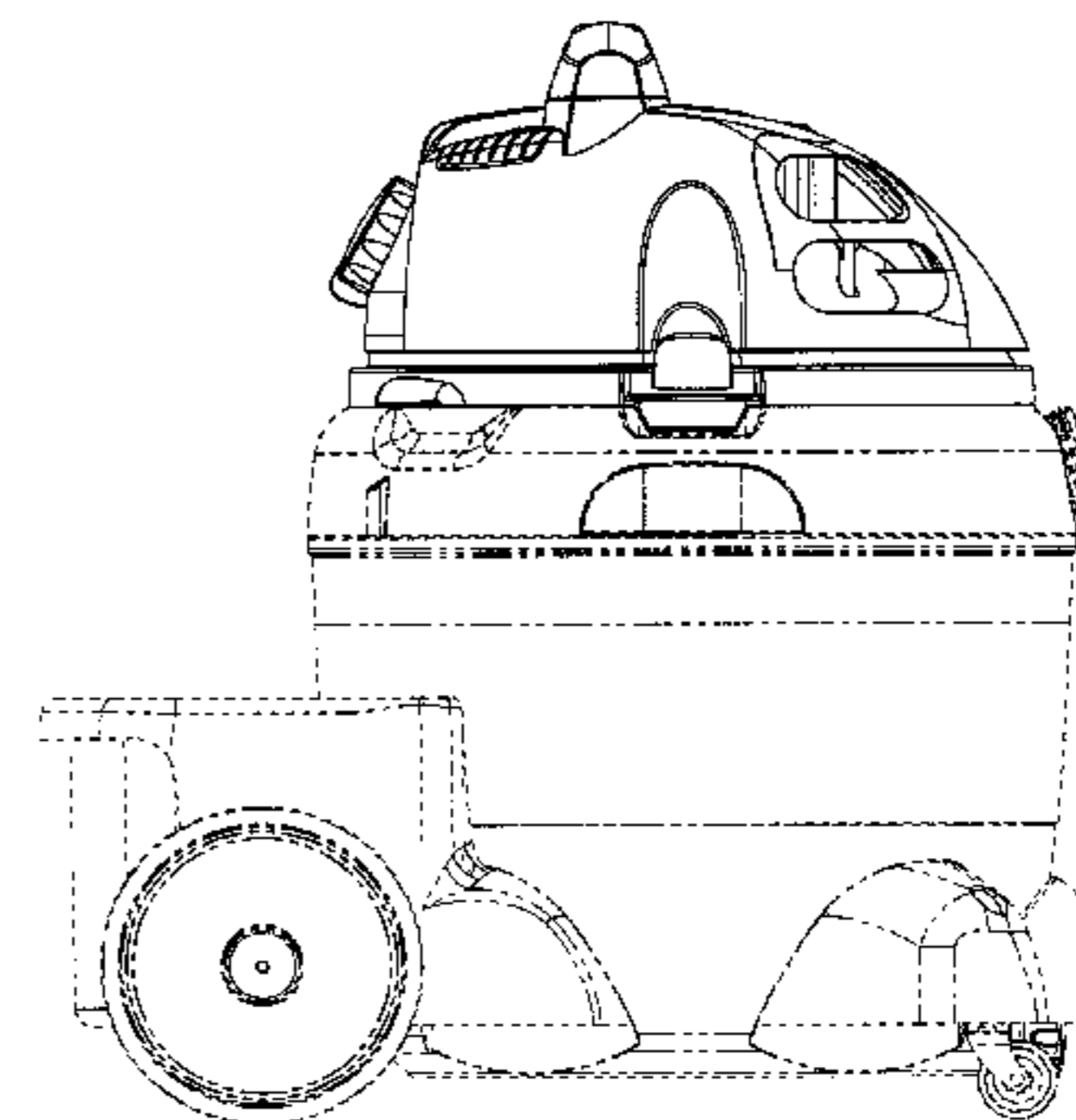
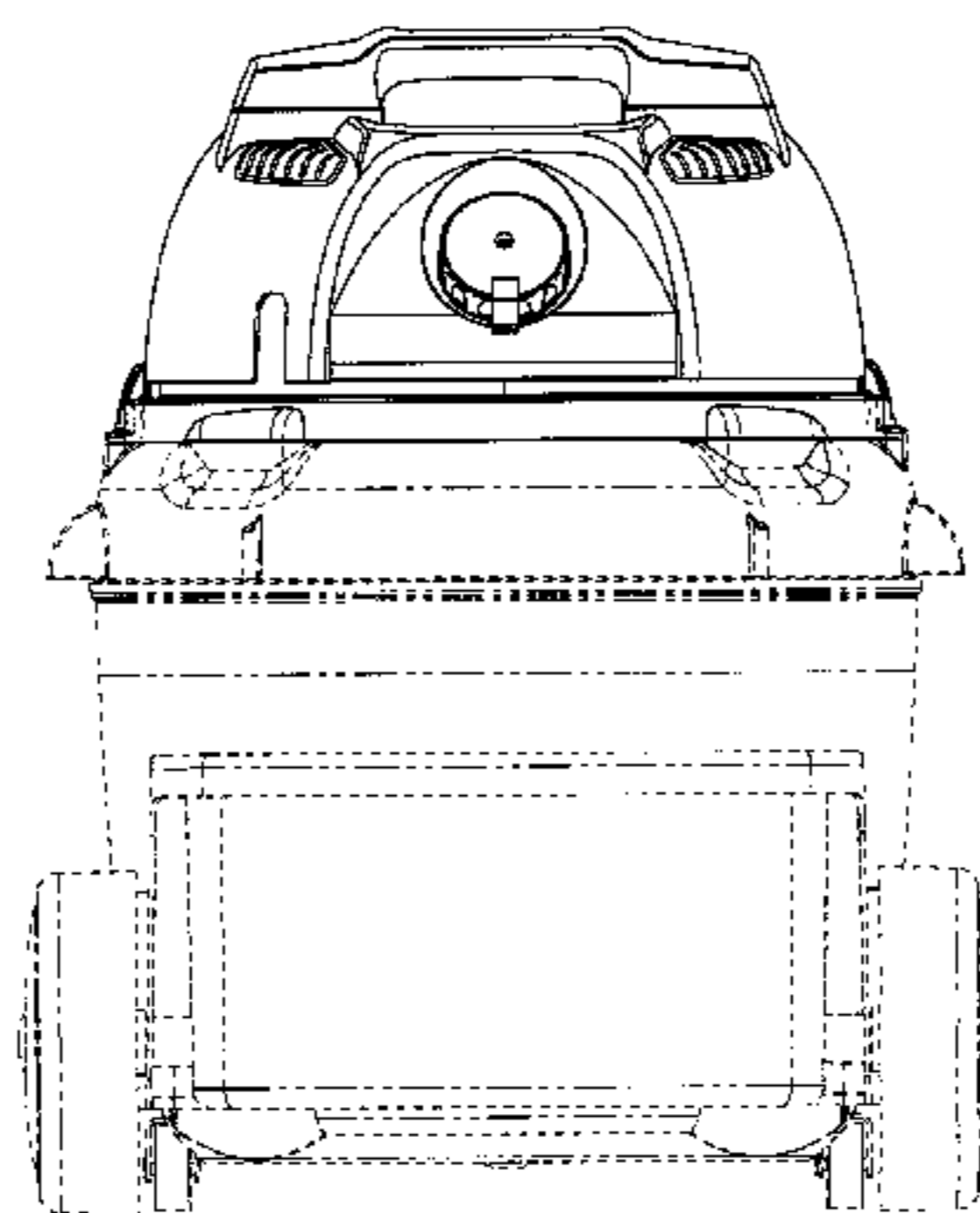
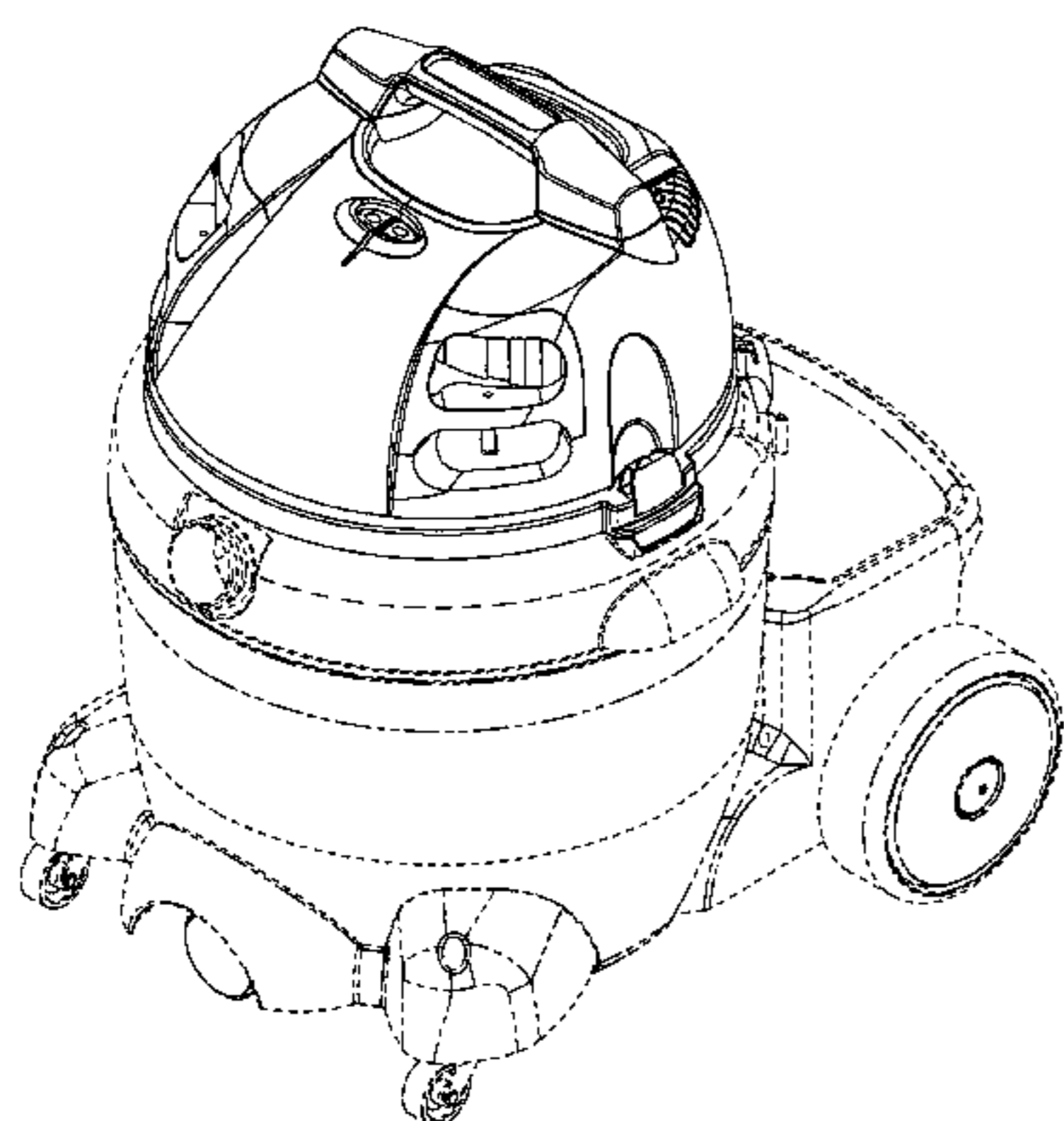
The ornamental design for a vacuum cleaner, as shown and
described.

DESCRIPTION

FIG. 1 is a right side perspective view taken from the front
and side showing our new design;
FIG. 2 is a top plan view thereof;
FIG. 3 is a rear view thereof;
FIG. 4 is a left side view; the right side view being a mirror
image thereof; and,
FIG. 5 is a front view thereof.

The portion of the tank shown in broken lines forms no part
of the claimed design.

1 Claim, 5 Drawing Sheets



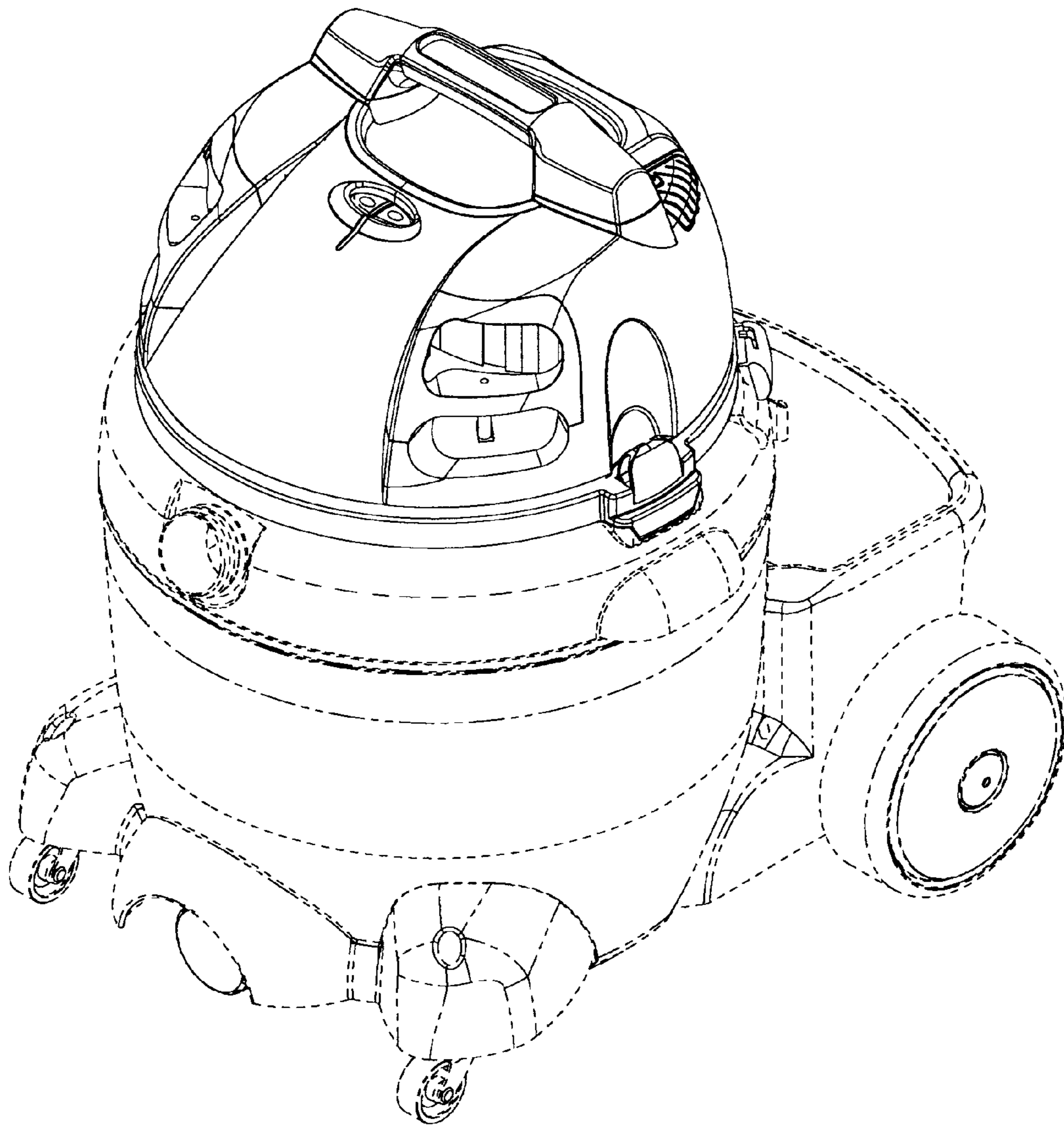


FIG. 1

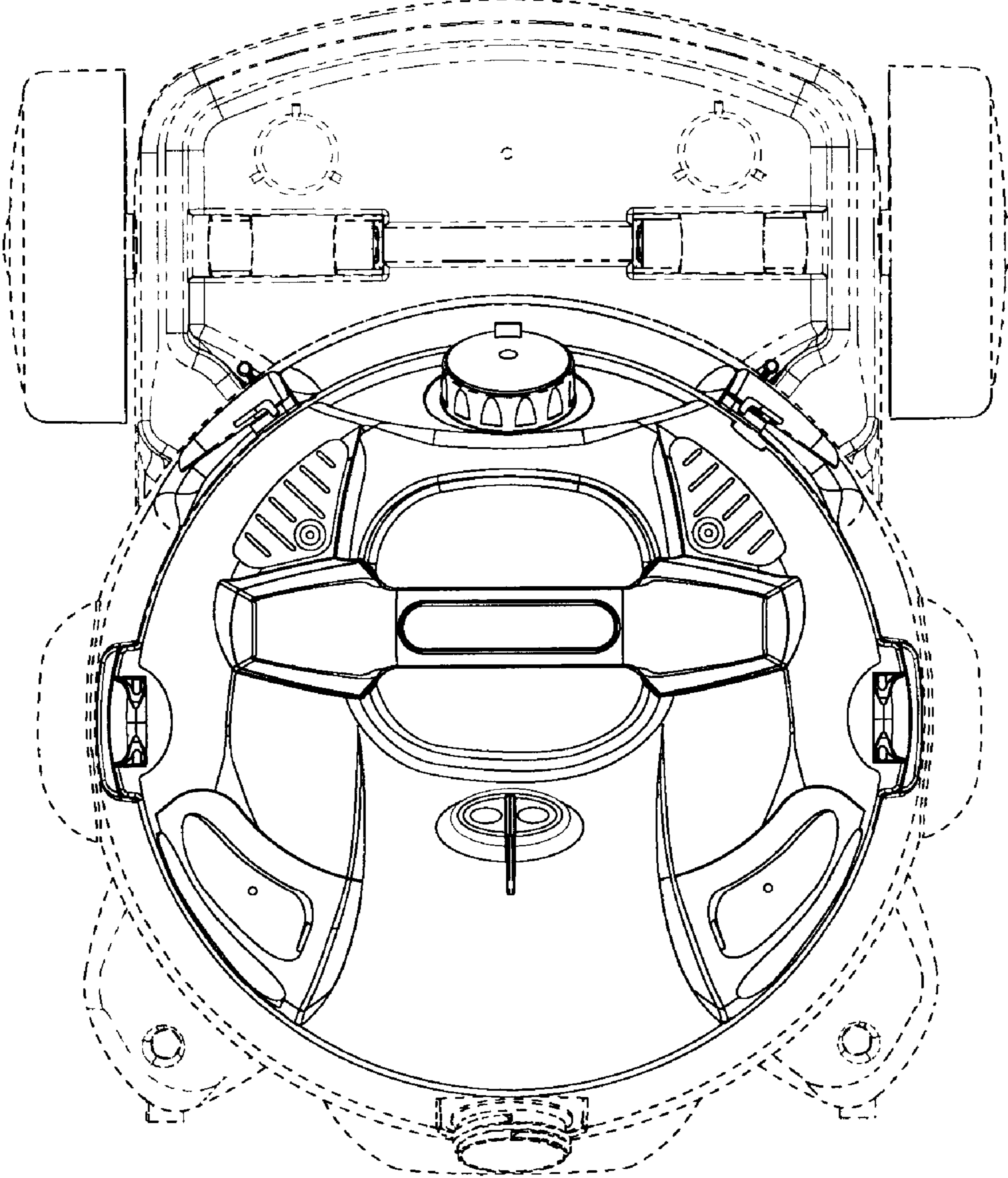


FIG. 2

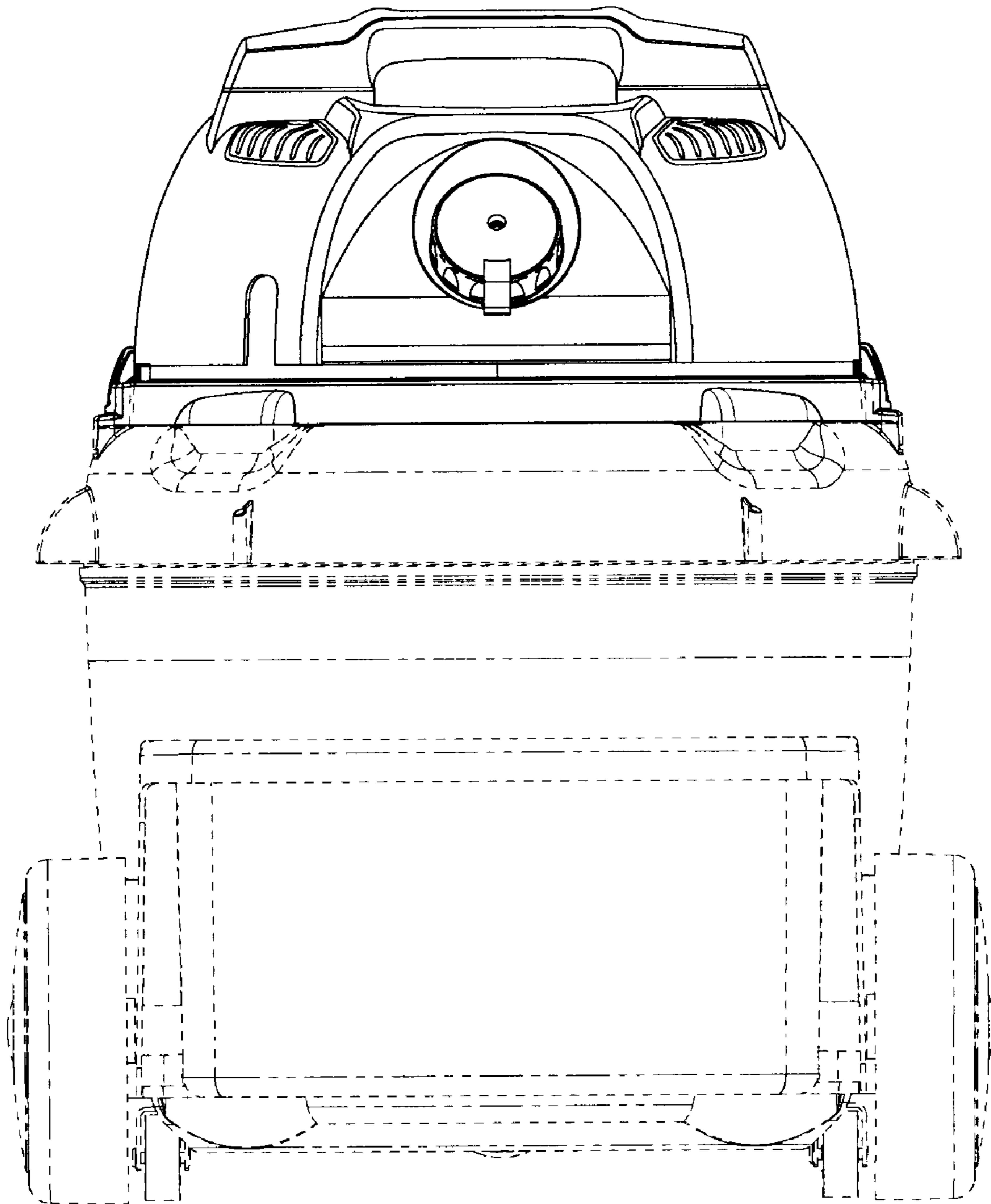


FIG. 3

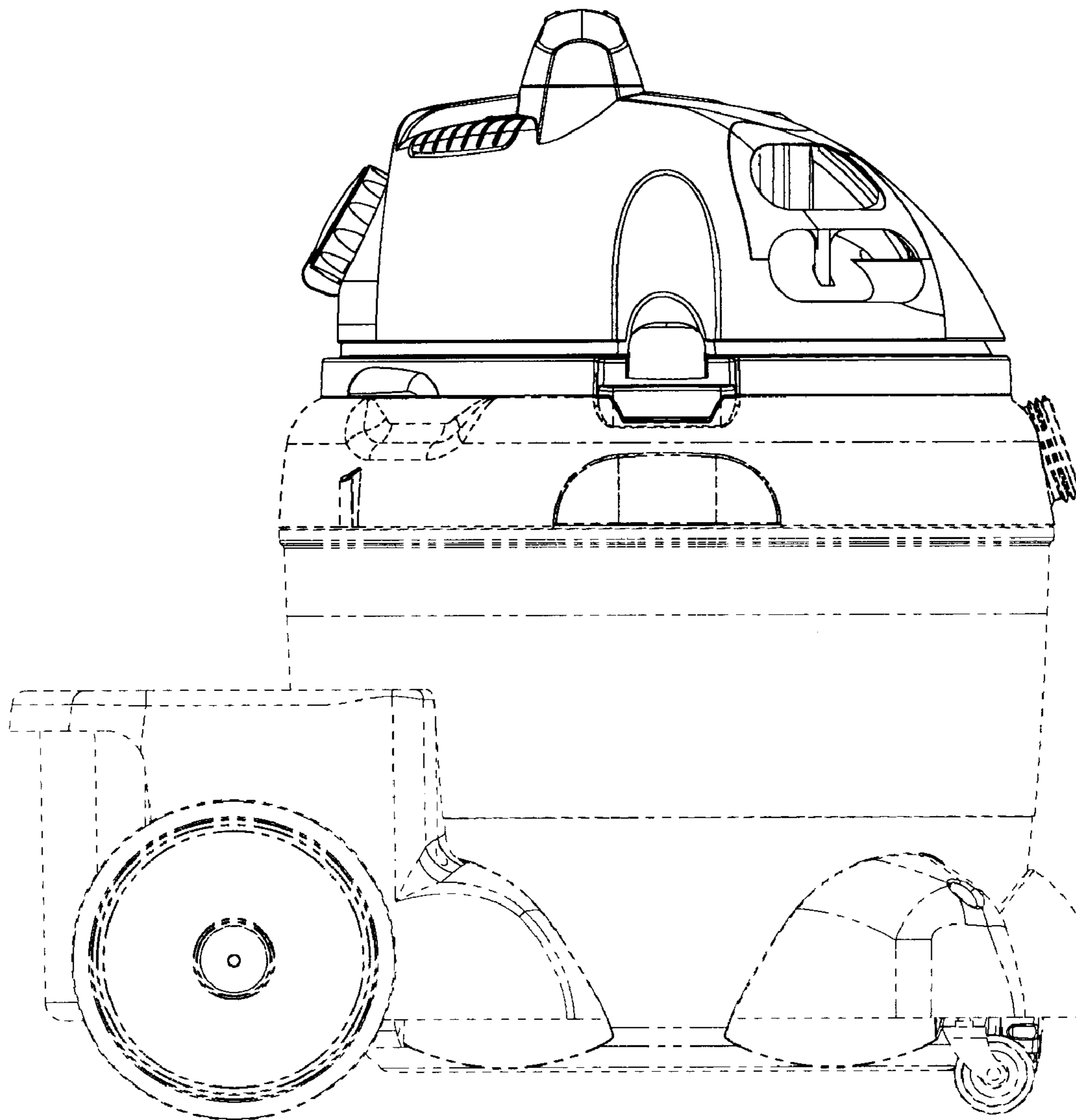


FIG. 4

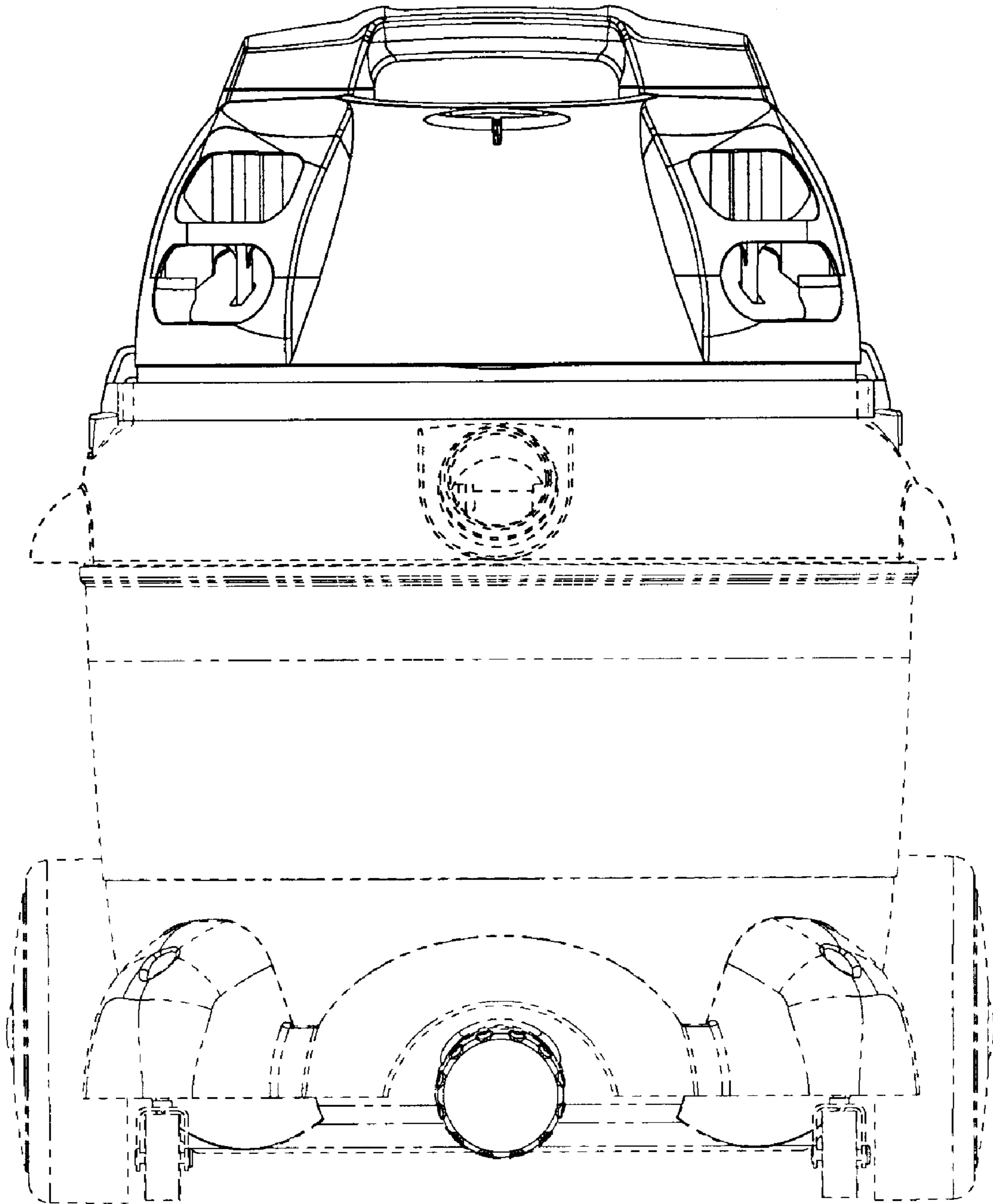


FIG. 5