

US00D528253S

(12) **United States Design Patent**  
**Wu et al.**

(10) **Patent No.:** **US D528,253 S**  
(45) **Date of Patent:** **\*\* Sep. 12, 2006**

(54) **AUTOMOTIVE VEHICLE VACUUM**

(76) Inventors: **Xingyu Wu**, 214-57 Bayswater Cortina, Ottawa, Ontario (CA), K1Y 2E8;  
**Xingqiang Wu**, 1717 Via Cortina, San Jose, CA (US) 95120; **Honghui Guo**, No. 2, Building 74, Mei Song Rd., Ba Yi Community, Feng Cheng Miningn Adminstration, Feng Cheng, Jiang Xi, Province, 331142 (CN)

(\*\*) Term: **14 Years**

(21) Appl. No.: **29/229,474**

(22) Filed: **May 6, 2005**

(51) **LOC (8) Cl.** ..... **15-05**

(52) **U.S. Cl.** ..... **D32/18**

(58) **Field of Classification Search** ..... D32/15-18,  
D32/21, 22-24, 31; 15/314, 324, 344, 329,  
15/347, 320-321, 412, DIG. 1, 353-354,  
15/301, 385, 93.1, 405, 330, 415.1, 327.5,  
15/323

See application file for complete search history.

(56) **References Cited**

**U.S. PATENT DOCUMENTS**

D208,627 S \* 9/1967 Bonzer ..... D32/18  
D212,829 S \* 11/1968 Kraines ..... D32/18

D246,752 S \* 12/1977 Fukuda et al. .... D32/18  
D247,341 S \* 2/1978 Pelly ..... D32/18  
D253,452 S \* 11/1979 Tack ..... D32/18  
D257,941 S \* 1/1981 Tack ..... D32/18  
D259,618 S \* 6/1981 Tack ..... D32/18  
D348,548 S \* 7/1994 Pino ..... D32/18  
5,337,443 A \* 8/1994 Steinberg et al. .... 15/344  
D504,985 S \* 5/2005 Buzzi ..... D32/17  
D506,297 S \* 6/2005 Buzzi ..... D32/17  
D507,085 S \* 7/2005 Griffin ..... D32/18

\* cited by examiner

*Primary Examiner*—Ruth McInroy

(74) *Attorney, Agent, or Firm*—Bruce & McCoy; Ernest H. McCoy

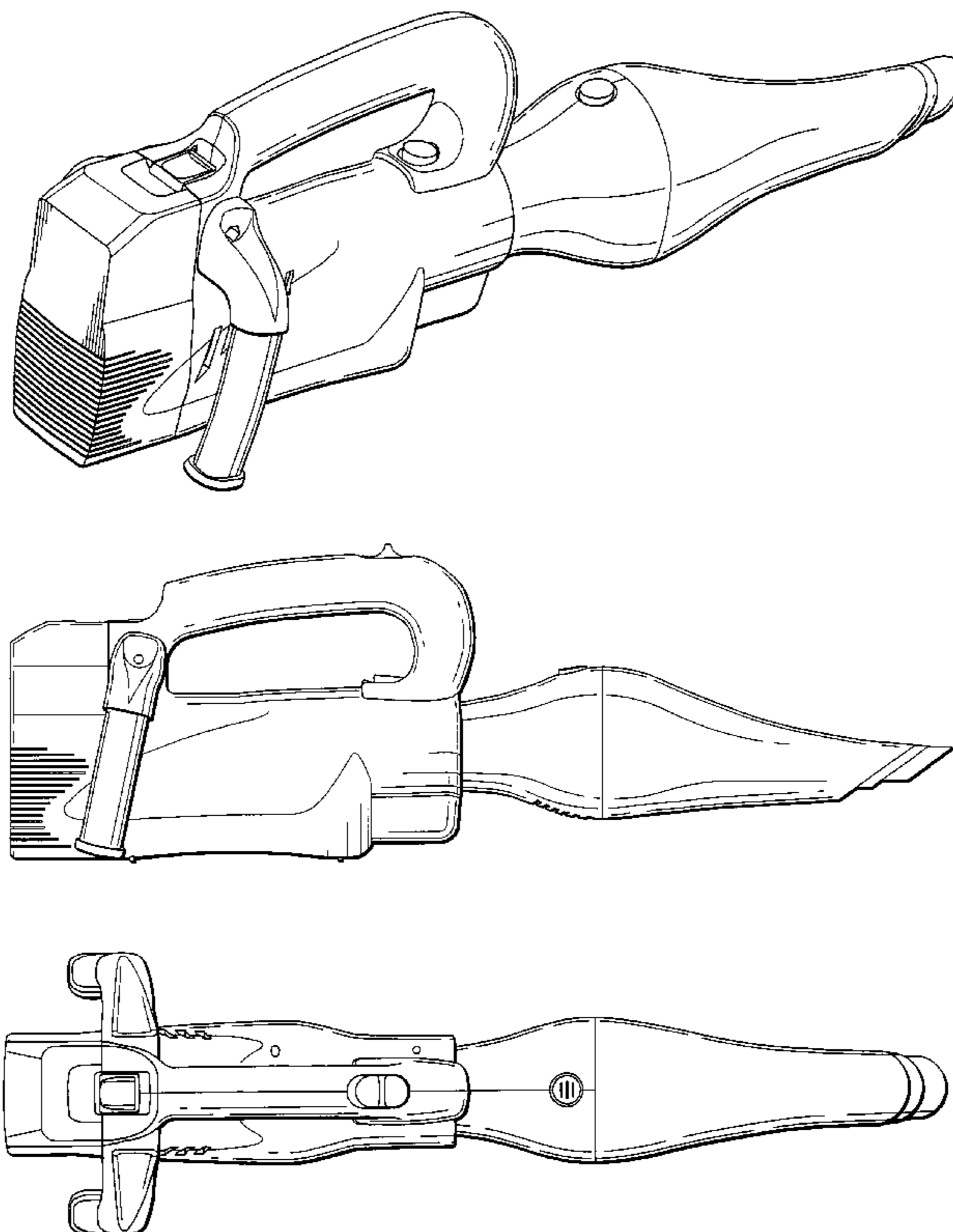
(57) **CLAIM**

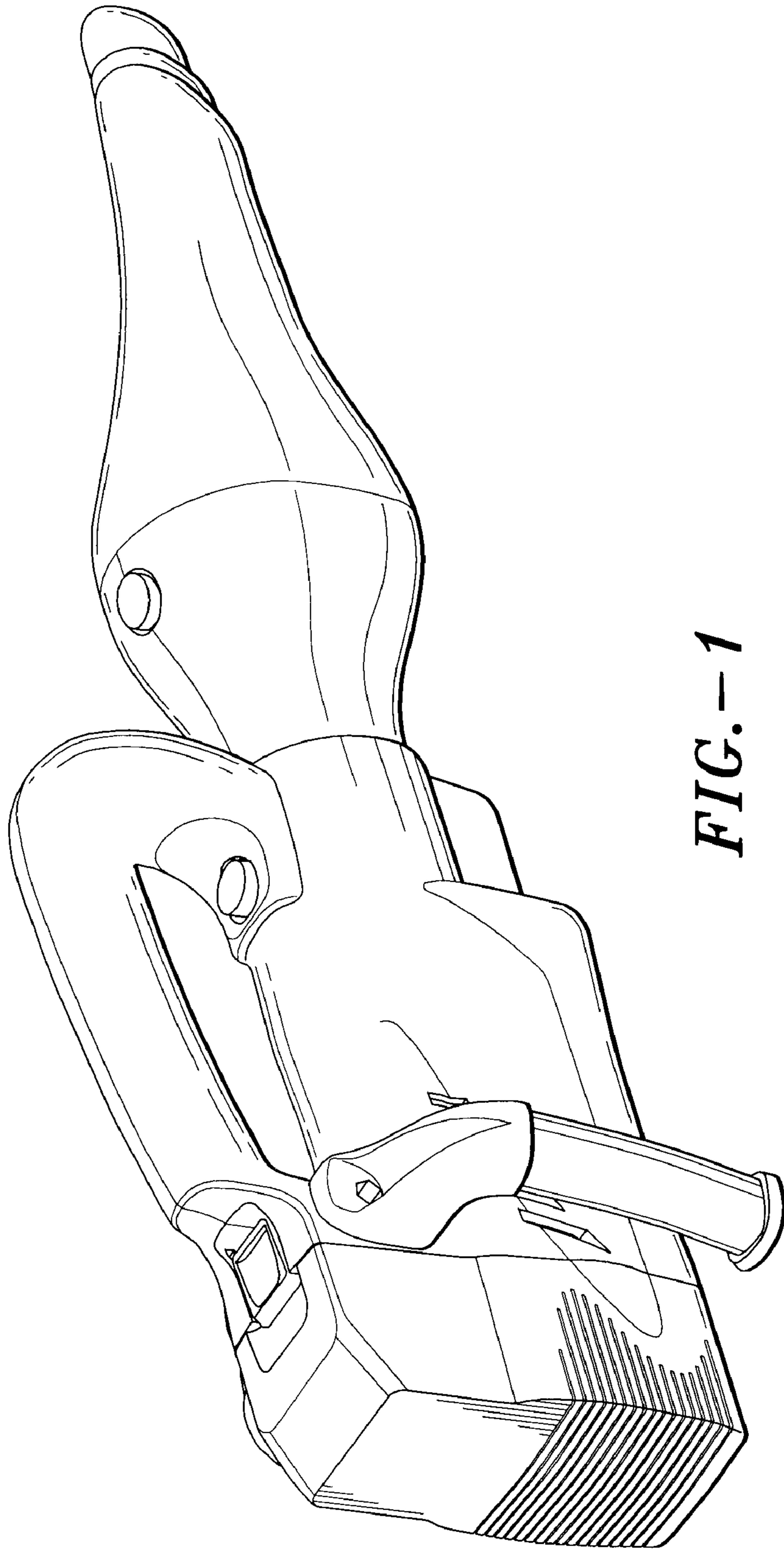
The ornamental design for a automotive vehicle vacuum, as shown and described.

**DESCRIPTION**

FIG. 1 is a perspective view showing my new design;  
FIG. 2 is a first side elevation thereof;  
FIG. 3 is a opposite side elevation thereof;  
FIG. 4 is a top plan view thereof;  
FIG. 5 is a bottom plan view thereof;  
FIG. 6 is a front end elevation thereof; and,  
FIG. 7 is a rear elevation view thereof.

**1 Claim, 5 Drawing Sheets**





*FIG. -- 1*

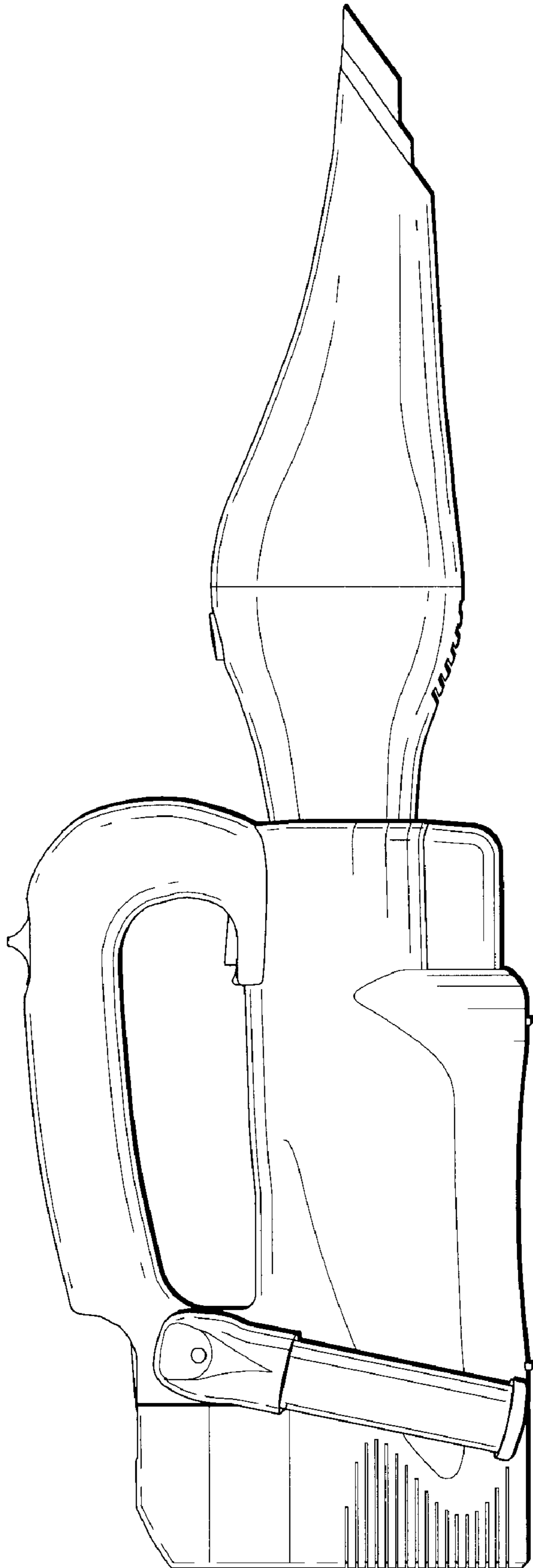
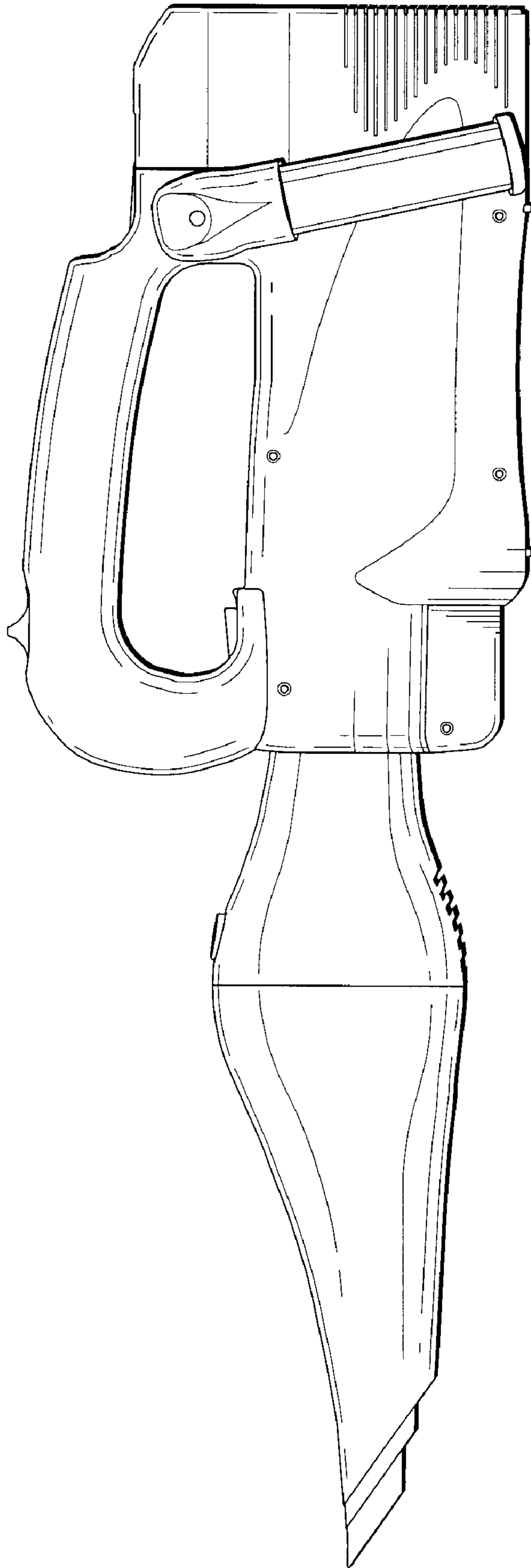
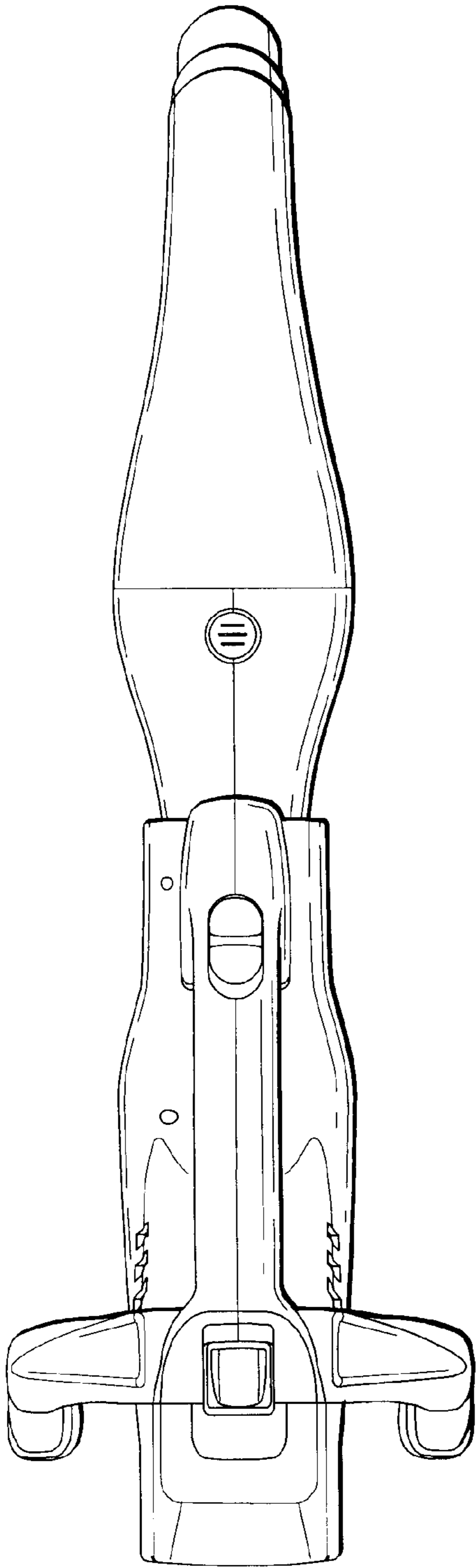


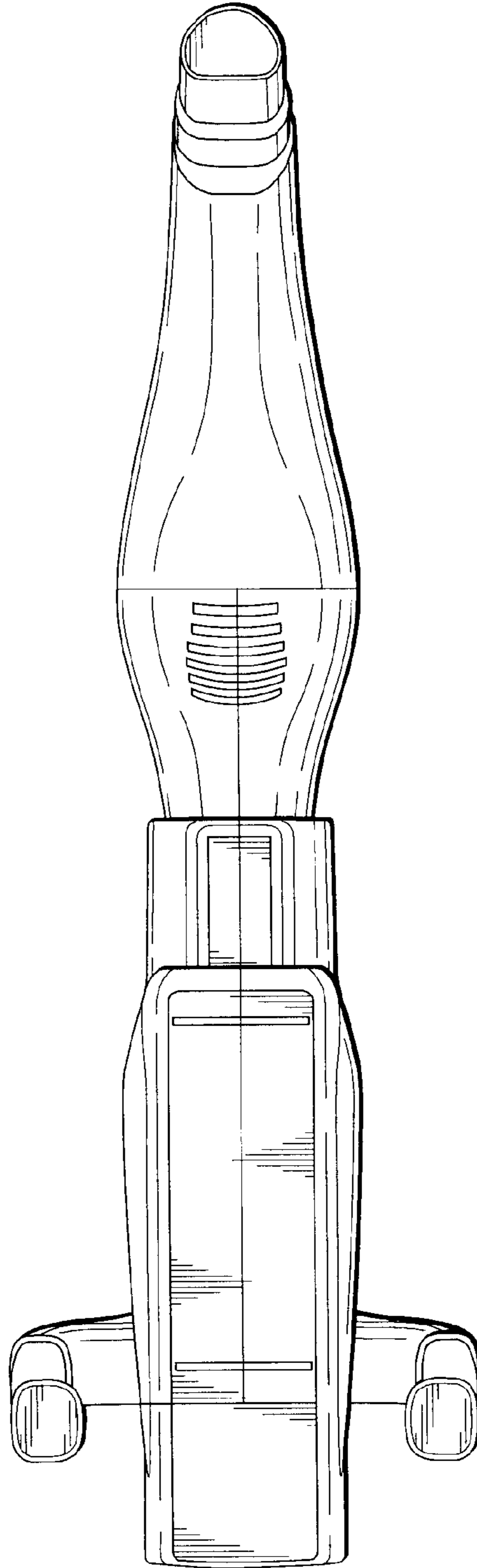
FIG.-2



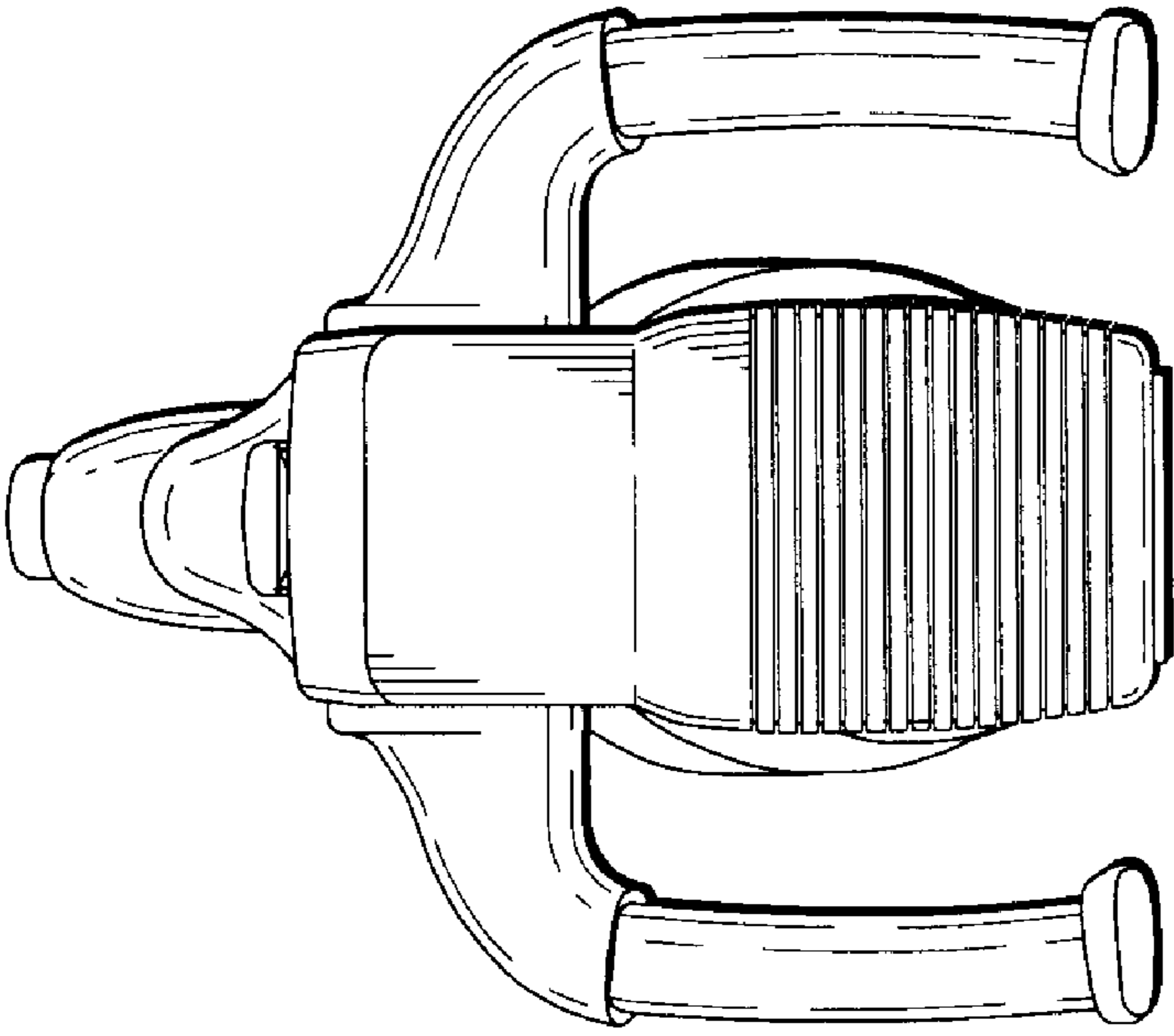
*FIG. - 3*



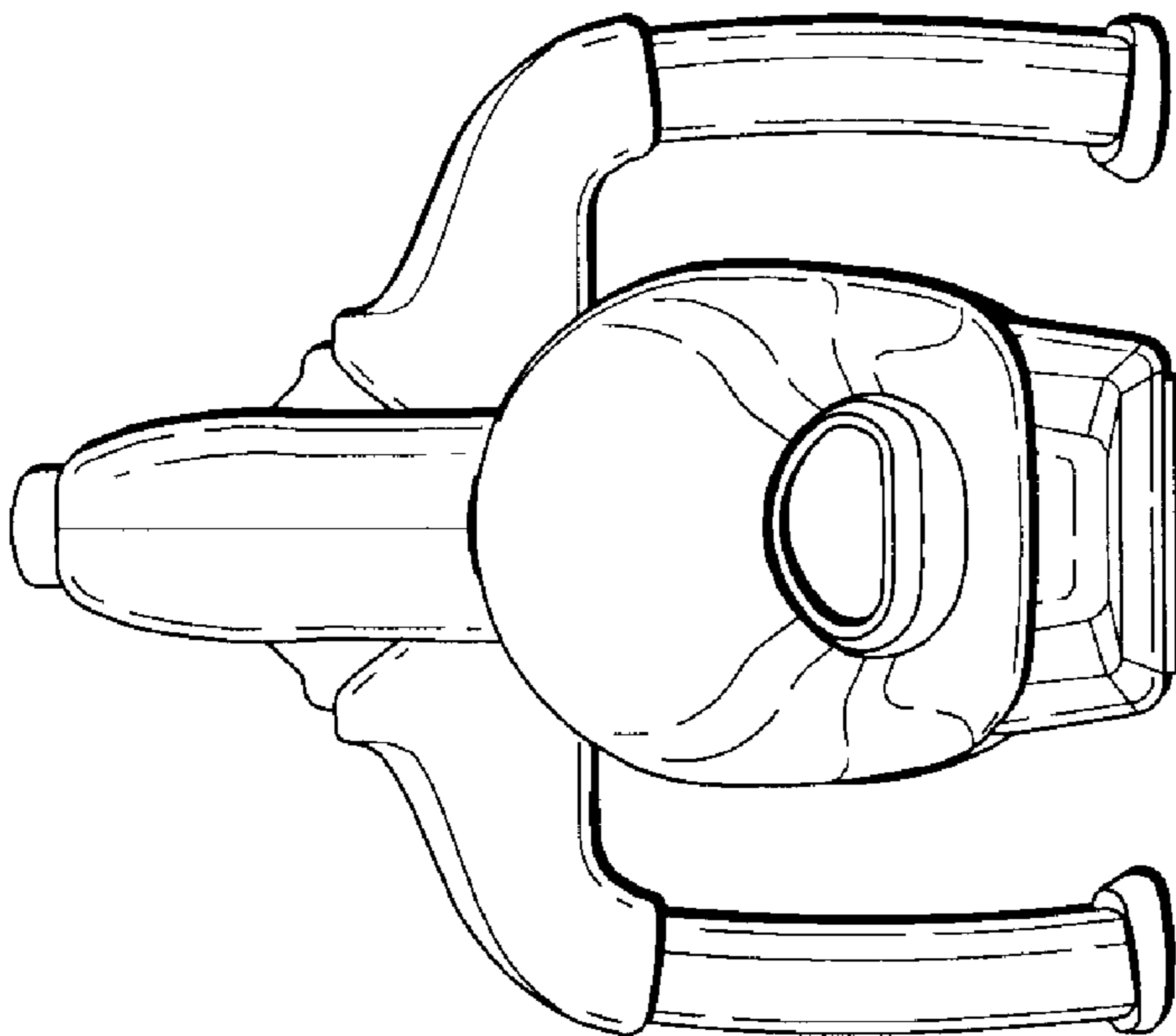
*FIG. -4*



*FIG. -5*



*FIG. - 7*



*FIG. - 6*