

US00D528247S

(12) **United States Design Patent**  
**Smith**

(10) **Patent No.:** **US D528,247 S**

(45) **Date of Patent:** **\*\* Sep. 12, 2006**

(54) **LIGHTER**

(75) Inventor: **Andrew D. Smith**, Pascoag, RI (US)

(73) Assignee: **Colibri Corporation**, Providence, RI (US)

(\*\*) Term: **14 Years**

(21) Appl. No.: **29/251,846**

(22) Filed: **Jan. 13, 2006**

(51) **LOC (8) Cl.** ..... **27-05**

(52) **U.S. Cl.** ..... **D27/157**

(58) **Field of Classification Search** ..... D27/139,  
D27/141-161; 431/129, 143, 153, 253-256,  
431/273-277; D7/416

See application file for complete search history.

(56) **References Cited**

**U.S. PATENT DOCUMENTS**

D92,581 S \* 6/1934 Chesler ..... D27/152  
2,451,238 A \* 10/1948 Pritchard ..... 313/484  
D387,475 S \* 12/1997 Maruyama ..... D27/154

D429,540 S \* 8/2000 Maruyama ..... D27/141  
6,257,873 B1 \* 7/2001 Song ..... 431/253  
D509,622 S \* 9/2005 Smith ..... D27/157

\* cited by examiner

*Primary Examiner*—Jennifer Rivard

(74) *Attorney, Agent, or Firm*—Salter & Michaelson

(57) **CLAIM**

The ornamental design for a lighter, as shown.

**DESCRIPTION**

FIG. 1 is a perspective view of a lighter showing my new design;

FIG. 2 is a front elevational view thereof;

FIG. 3 is a rear elevational view thereof;

FIG. 4 is a left side elevational view thereof;

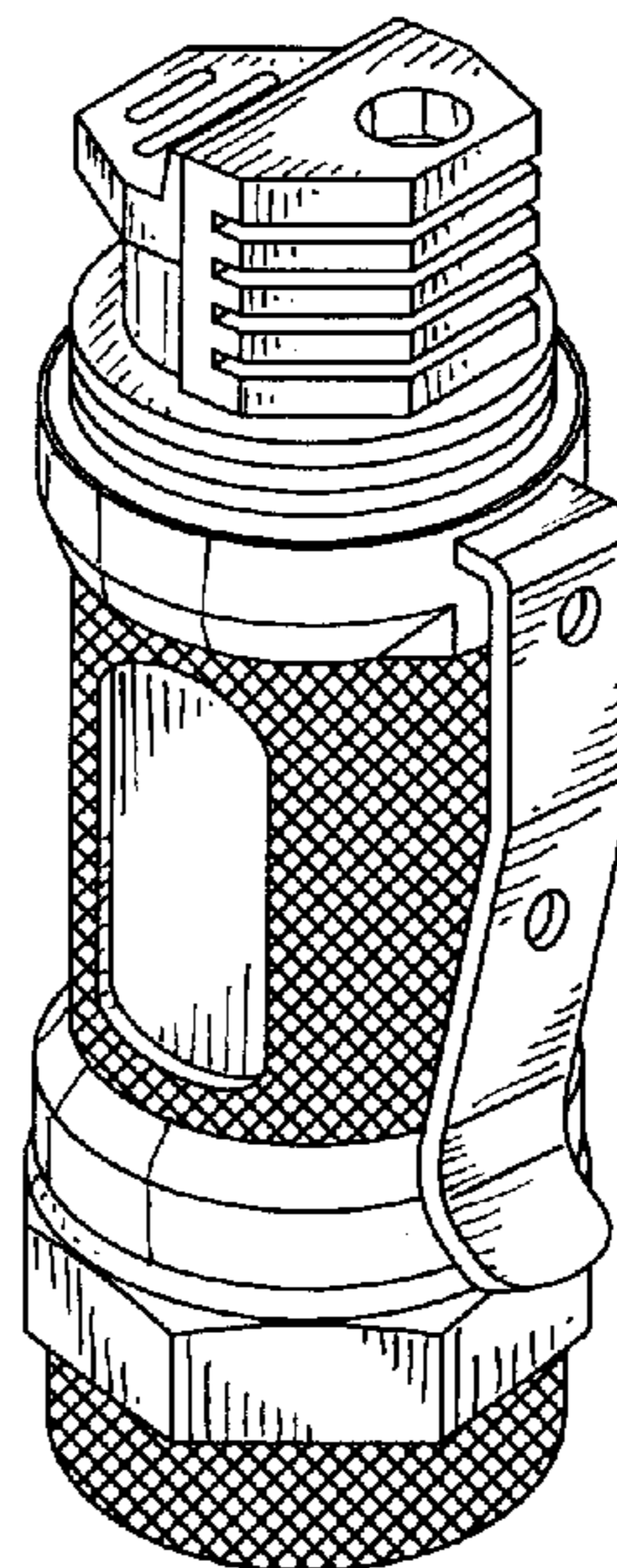
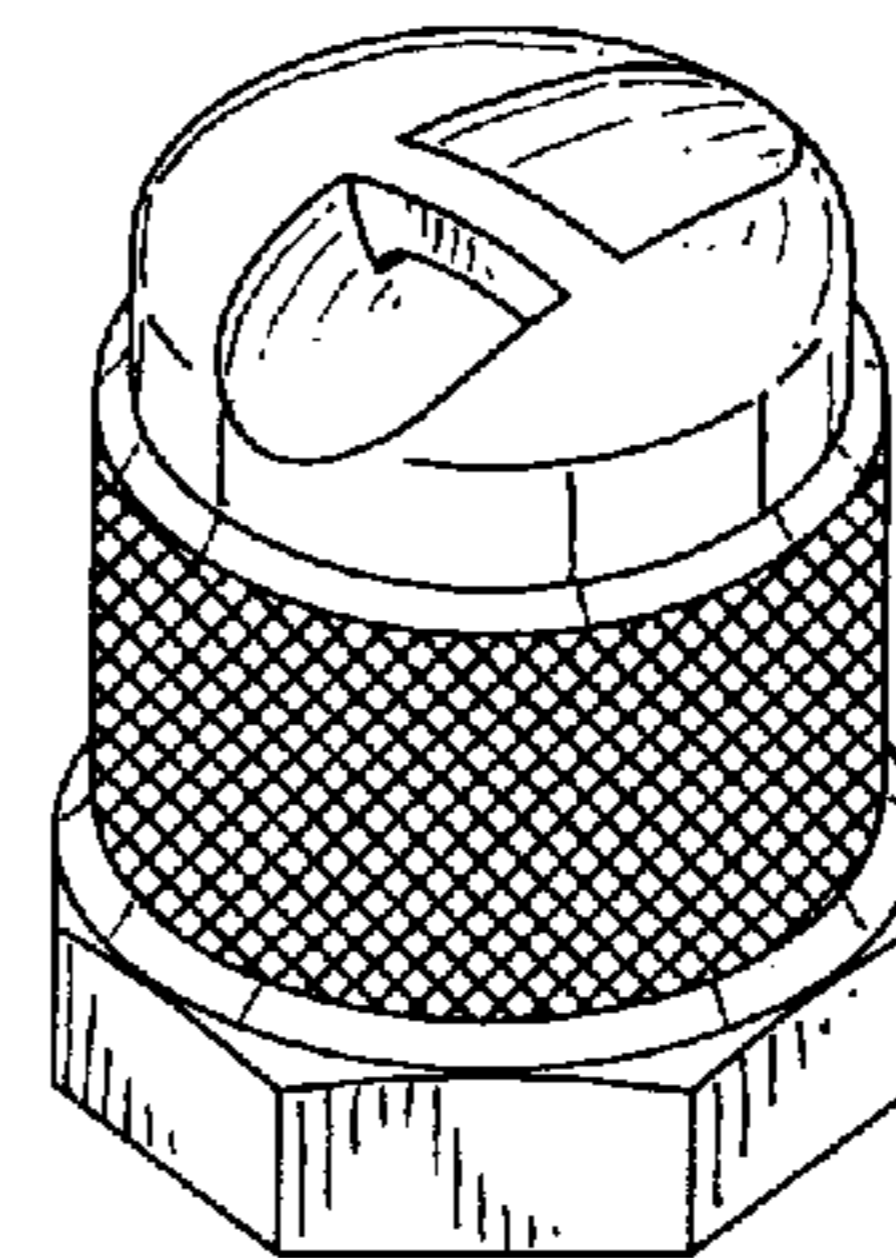
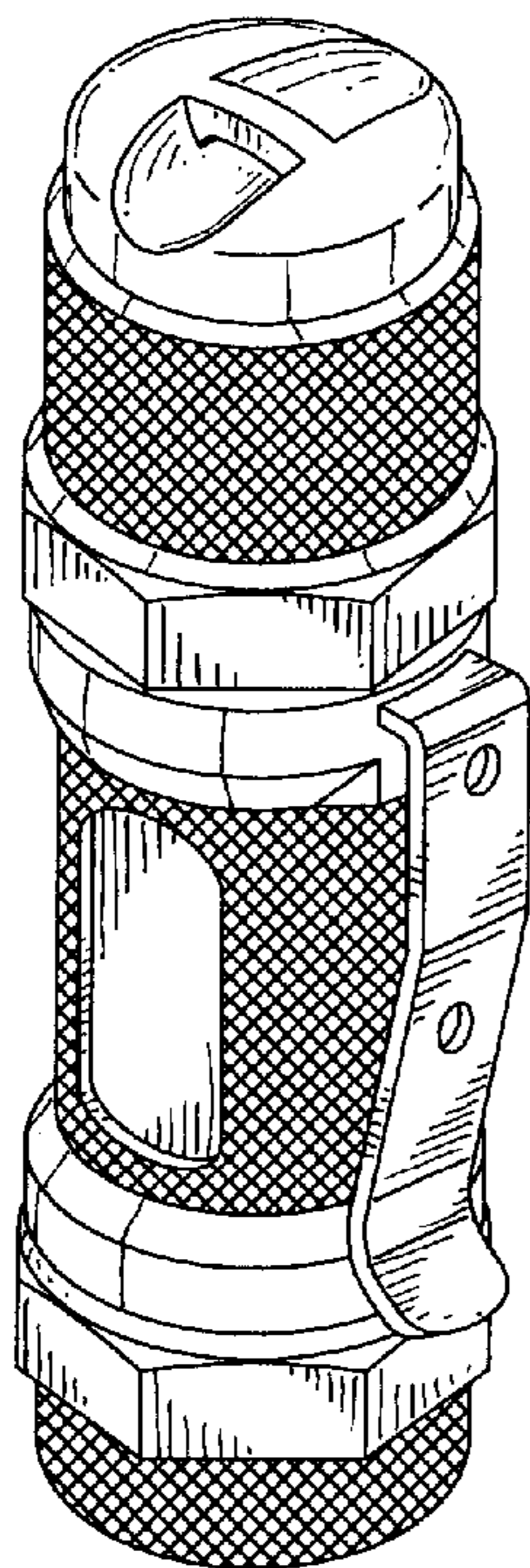
FIG. 5 is a right side elevational view thereof;

FIG. 6 is a top plan view thereof;

FIG. 7 is a bottom plan view thereof; and,

FIG. 8 is a exploded perspective view with the cap of the lighter removed.

**1 Claim, 4 Drawing Sheets**



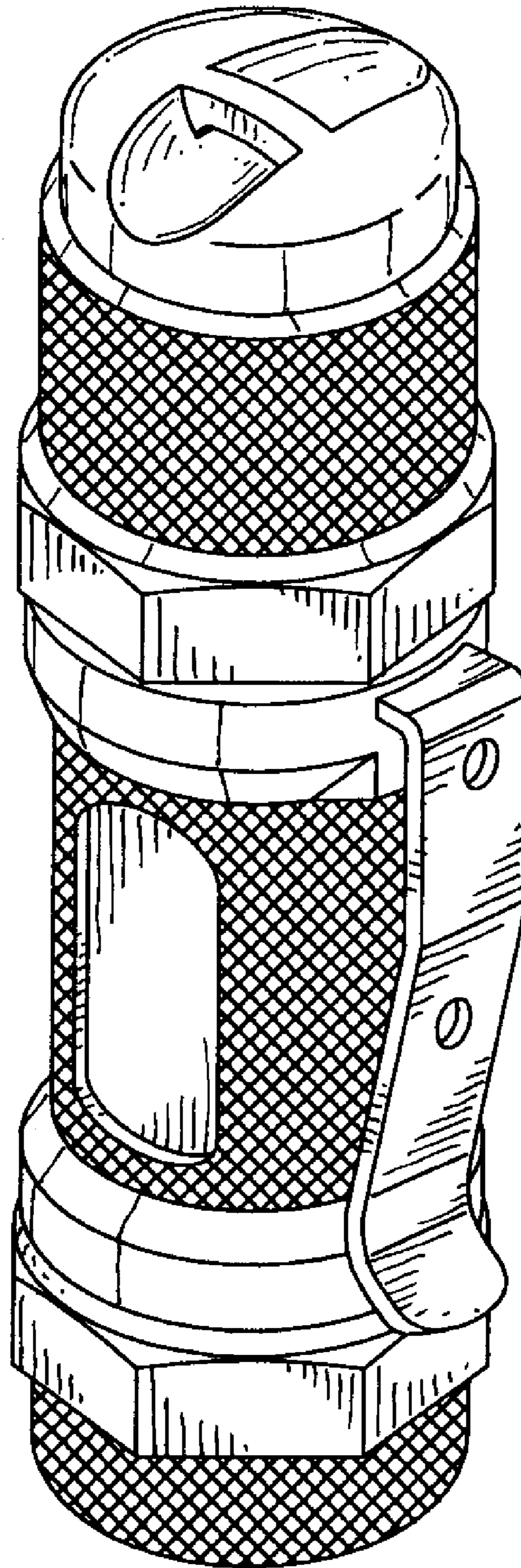


FIG. 1

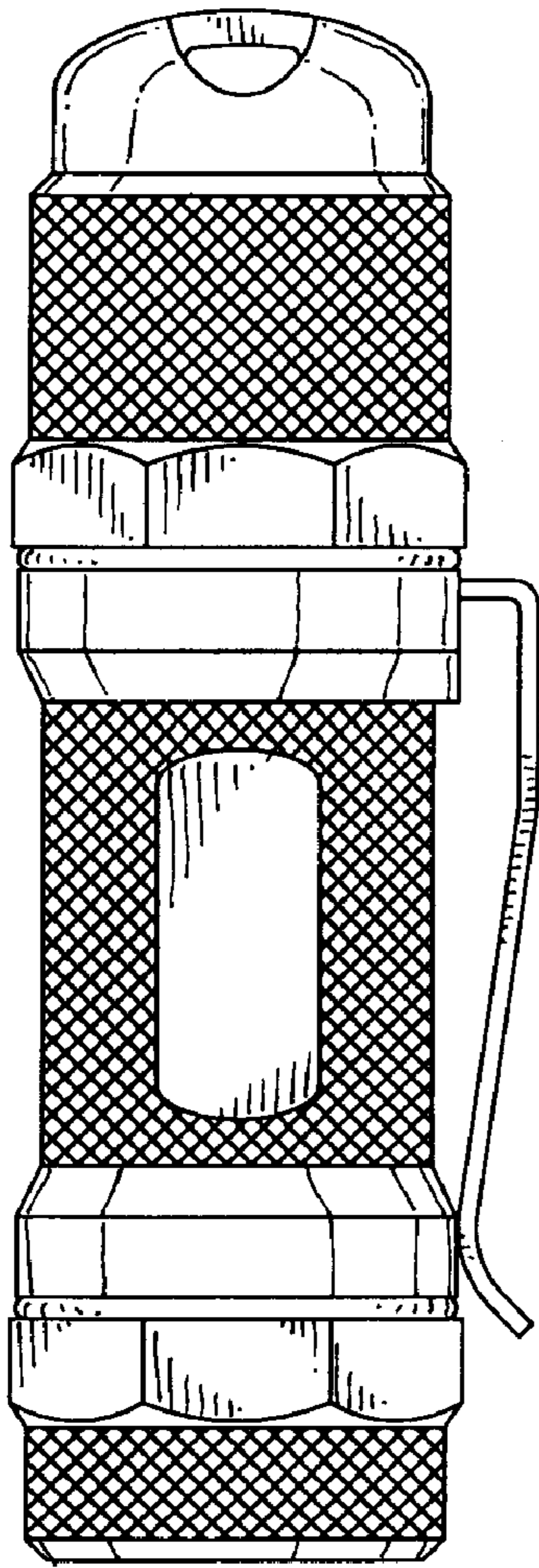


FIG. 2

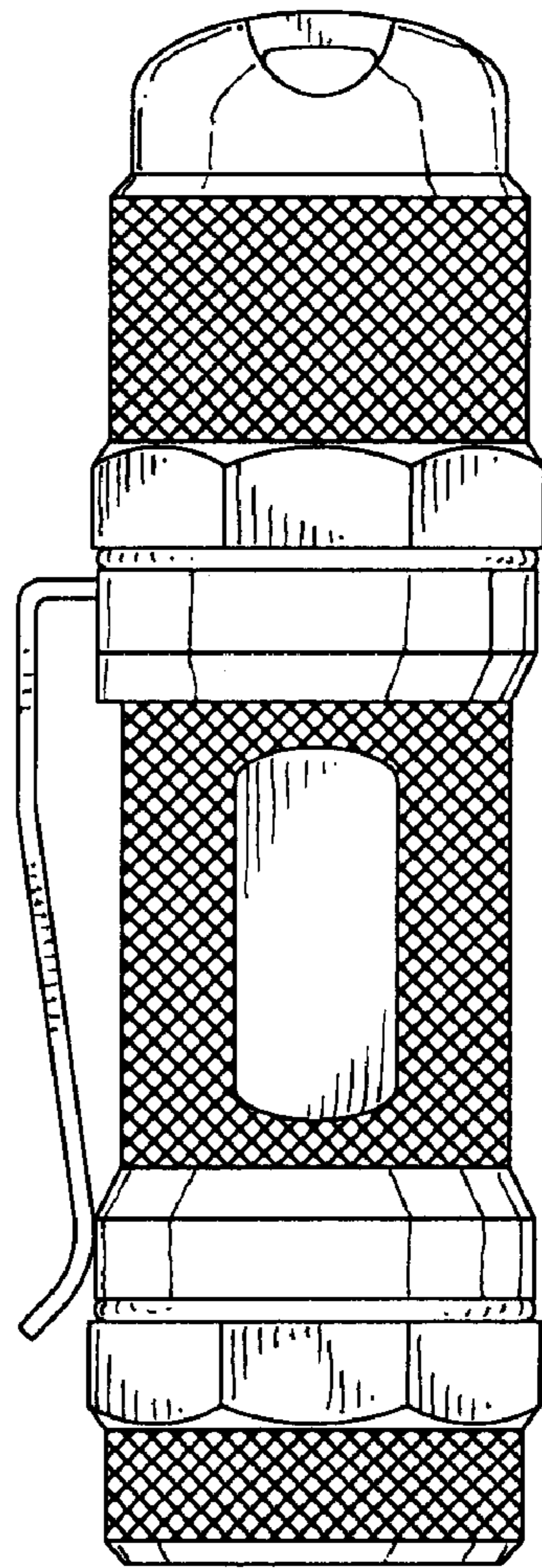


FIG. 3

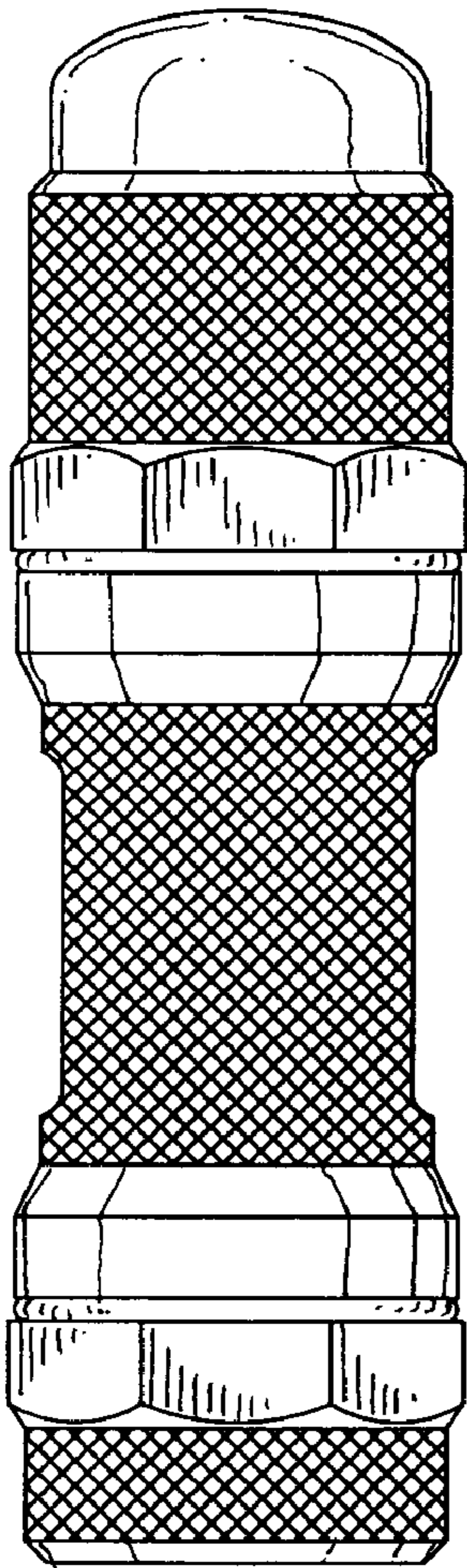


FIG. 4

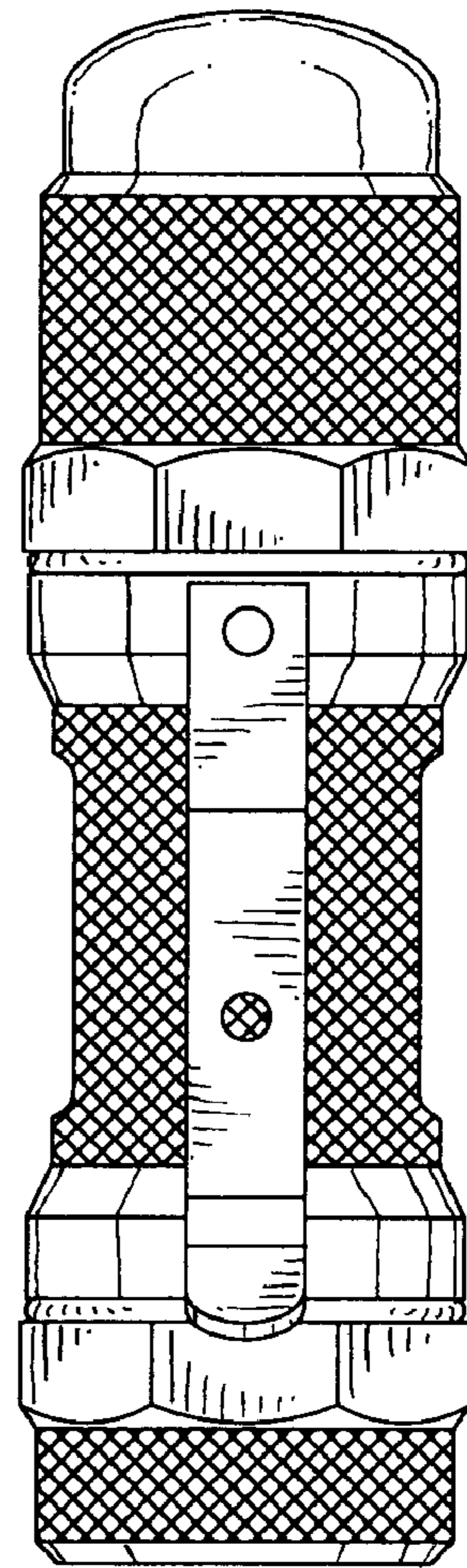


FIG. 5

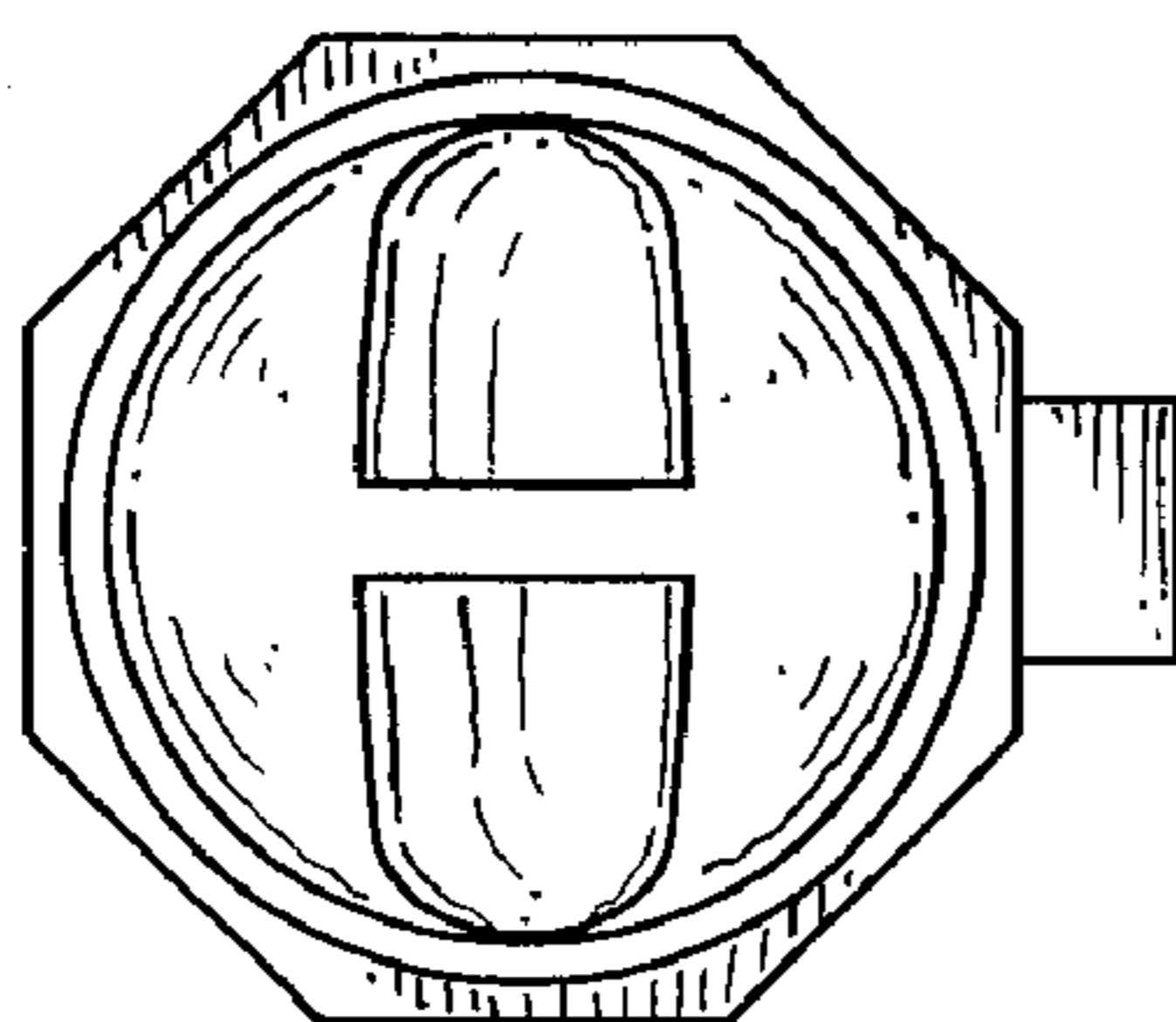


FIG. 6

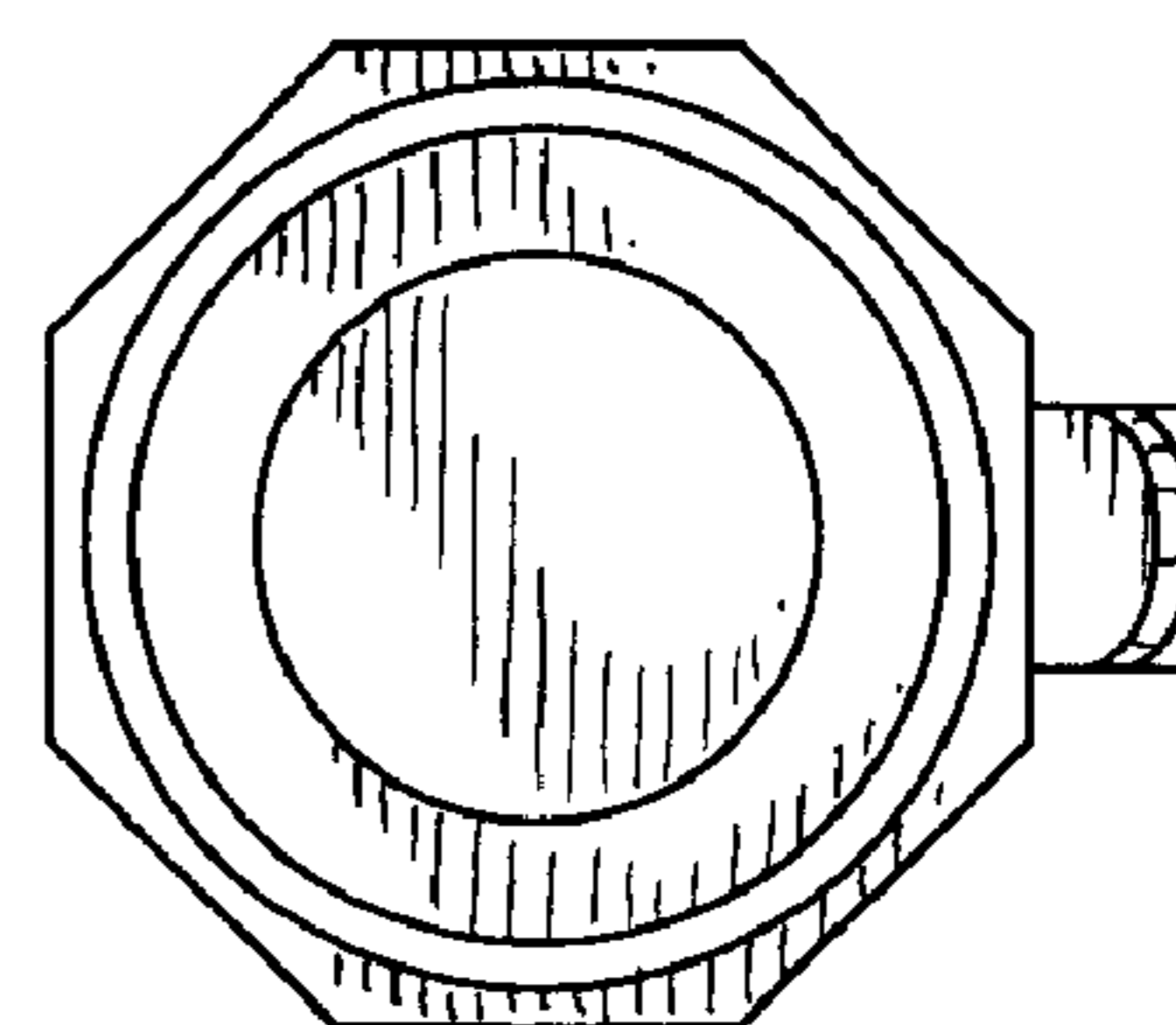


FIG. 7

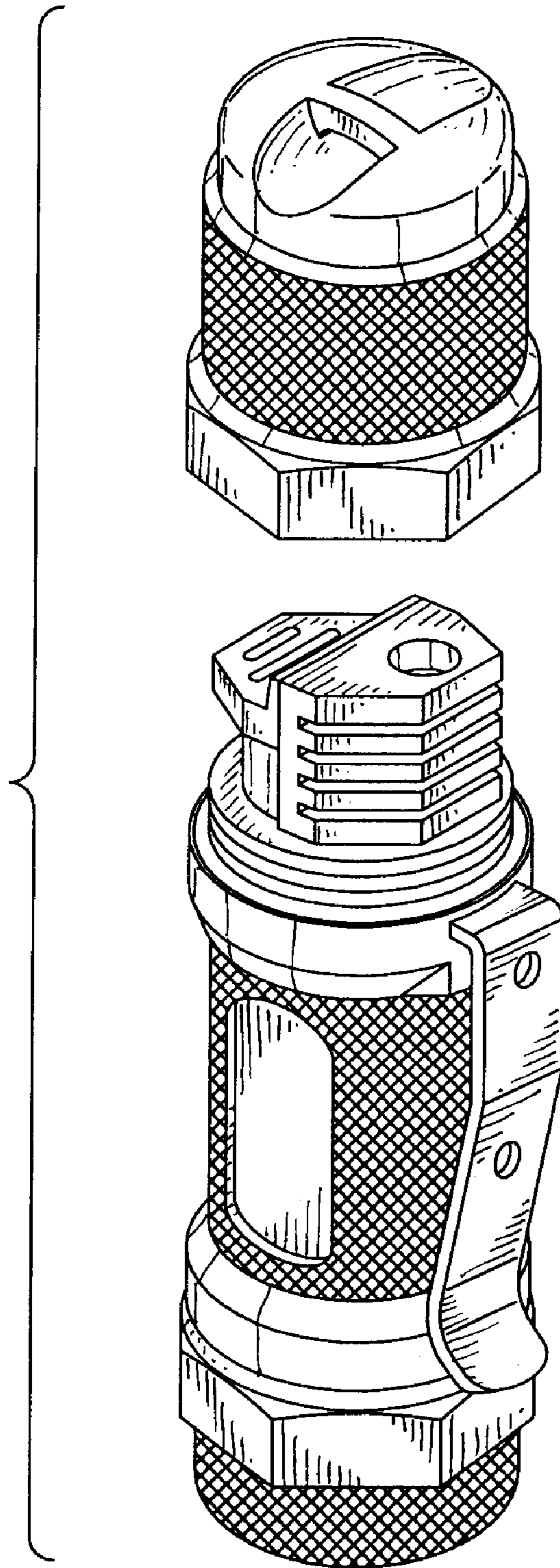


FIG. 8