



US00D528246S

(12) **United States Design Patent**
Smith

(10) **Patent No.:** **US D528,246 S**

(45) **Date of Patent:** **** Sep. 12, 2006**

(54) **LIGHTER**

(75) Inventor: **Andrew D. Smith**, Pascoag, RI (US)

(73) Assignee: **Colibri Corporation**, Providence, RI (US)

(**) Term: **14 Years**

(21) Appl. No.: **29/244,218**

(22) Filed: **Dec. 7, 2005**

(51) **LOC (8) Cl.** **27-05**

(52) **U.S. Cl.** **D27/157**

(58) **Field of Classification Search** D27/139,
D27/141-161; 431/129, 143, 153, 253-256,
431/273-277; 30/109-113; 131/248-249
See application file for complete search history.

(56) **References Cited**

U.S. PATENT DOCUMENTS

D99,786 S * 5/1936 Galter D27/157
D262,238 S * 12/1981 Stuetzer D27/154
D440,008 S * 4/2001 Xu D27/148

D452,932 S * 1/2002 Wong D27/157
D469,922 S * 2/2003 Cohen Harel D27/157
D477,893 S * 7/2003 Cohen Harel D27/157

* cited by examiner

Primary Examiner—Jennifer Rivard

(74) *Attorney, Agent, or Firm*—Salter & Michaelson

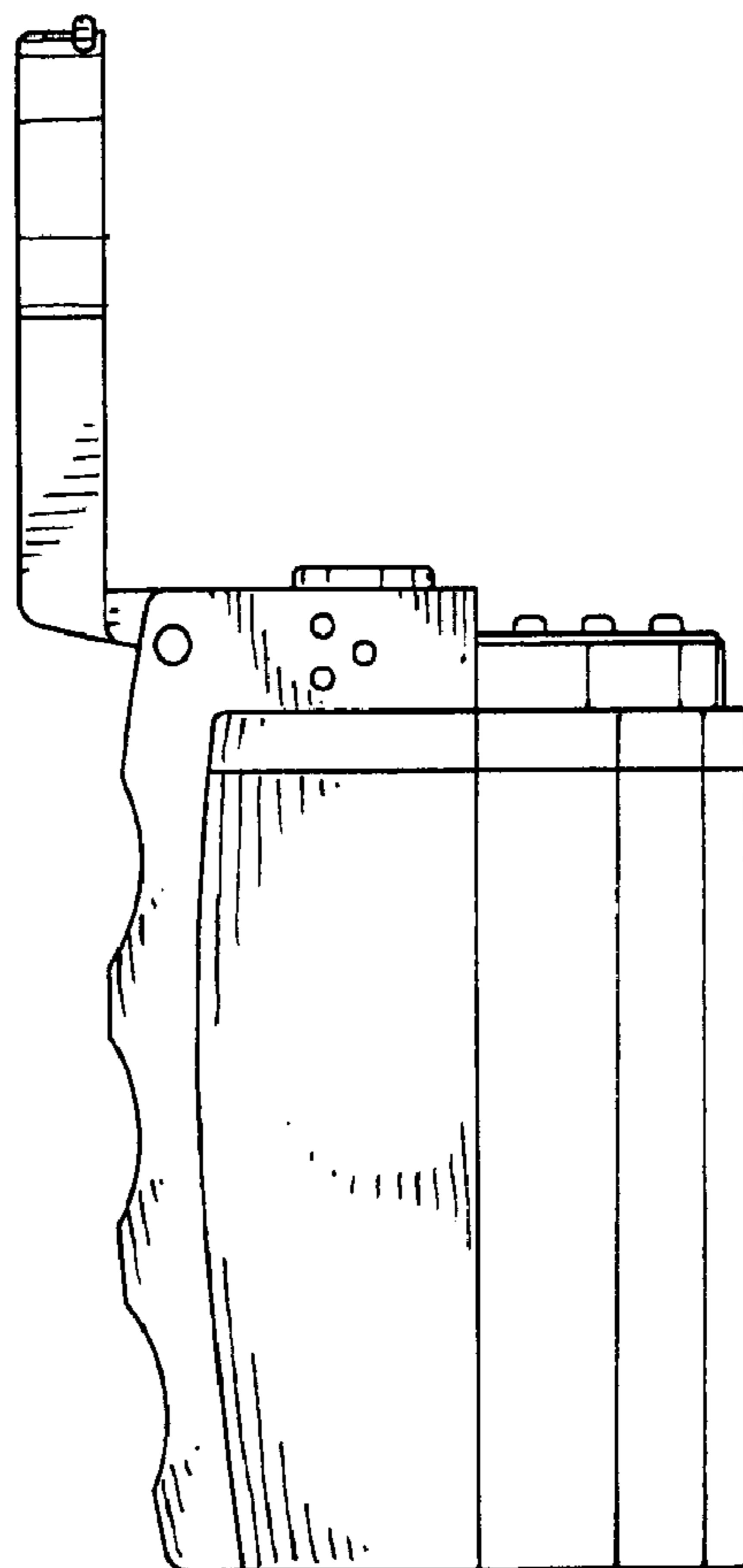
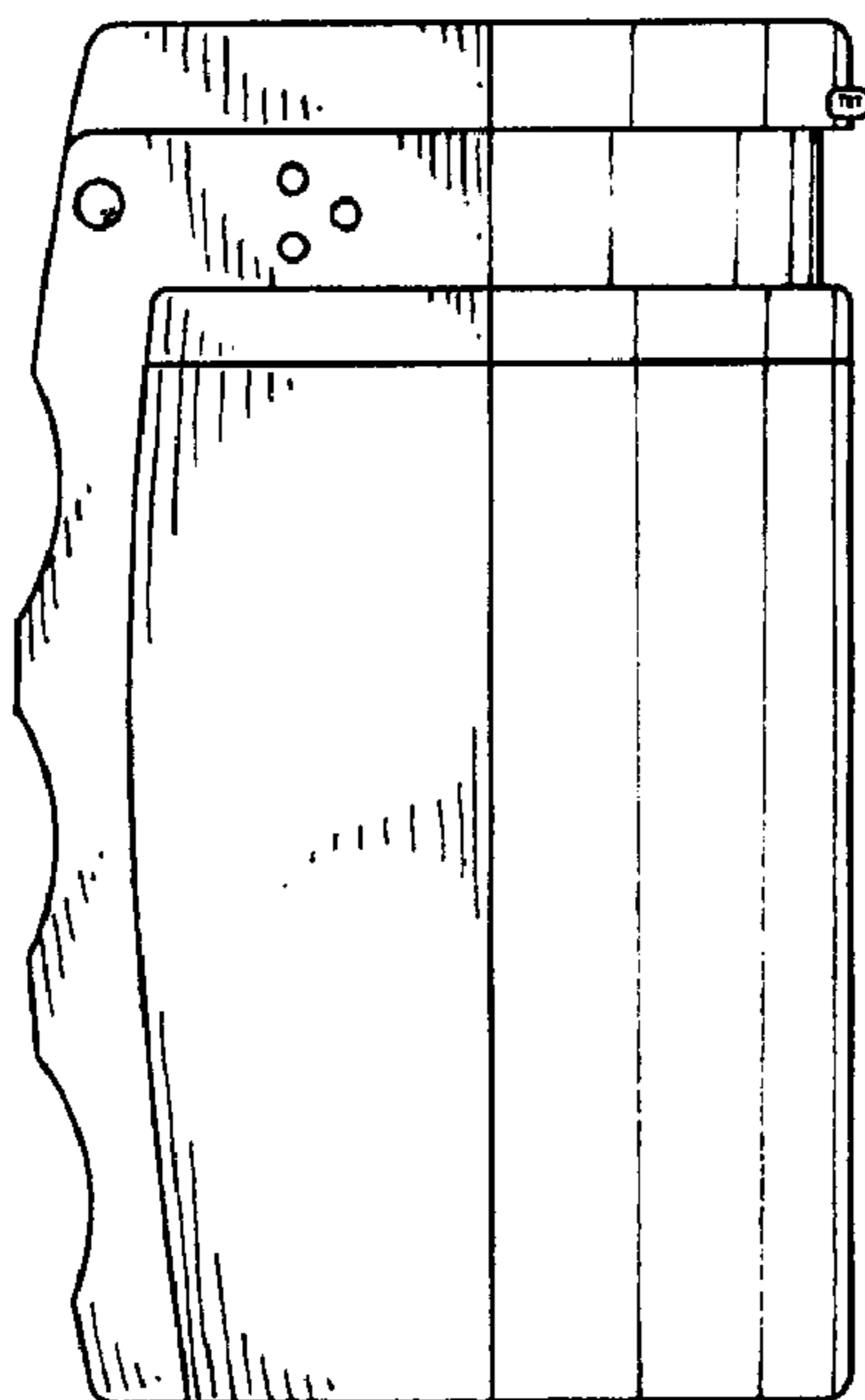
(57) **CLAIM**

The ornamental design for a lighter, as shown.

DESCRIPTION

FIG. 1 is a perspective view of a lighter showing my new design;
FIG. 2 is a front elevational view thereof;
FIG. 3 is a rear elevational view thereof;
FIG. 4 is a left side elevational view thereof;
FIG. 5 is a right side elevational view thereof;
FIG. 6 is a top plan view thereof;
FIG. 7 is a bottom plan view thereof; and,
FIG. 8 is a front elevational view thereof, with the cover in its opened position.

1 Claim, 4 Drawing Sheets



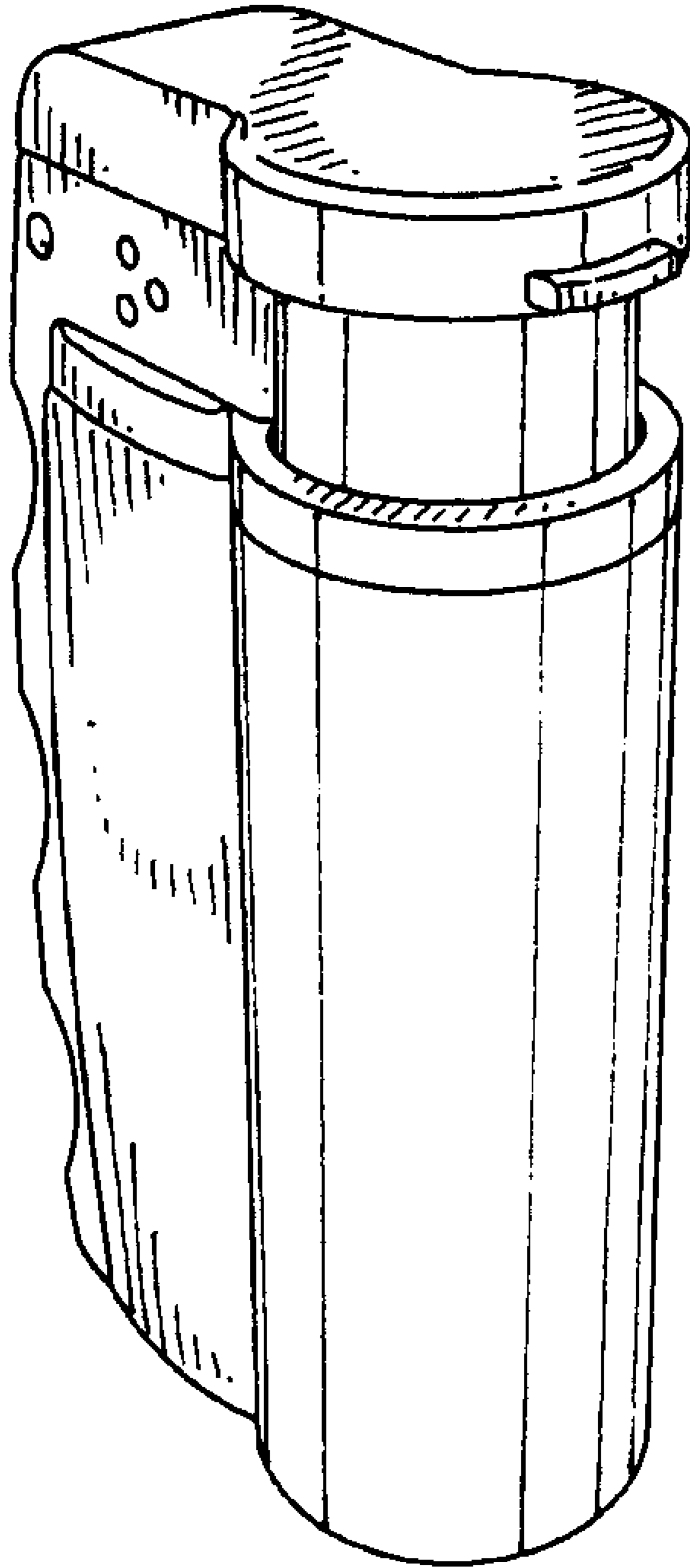


FIG. 1

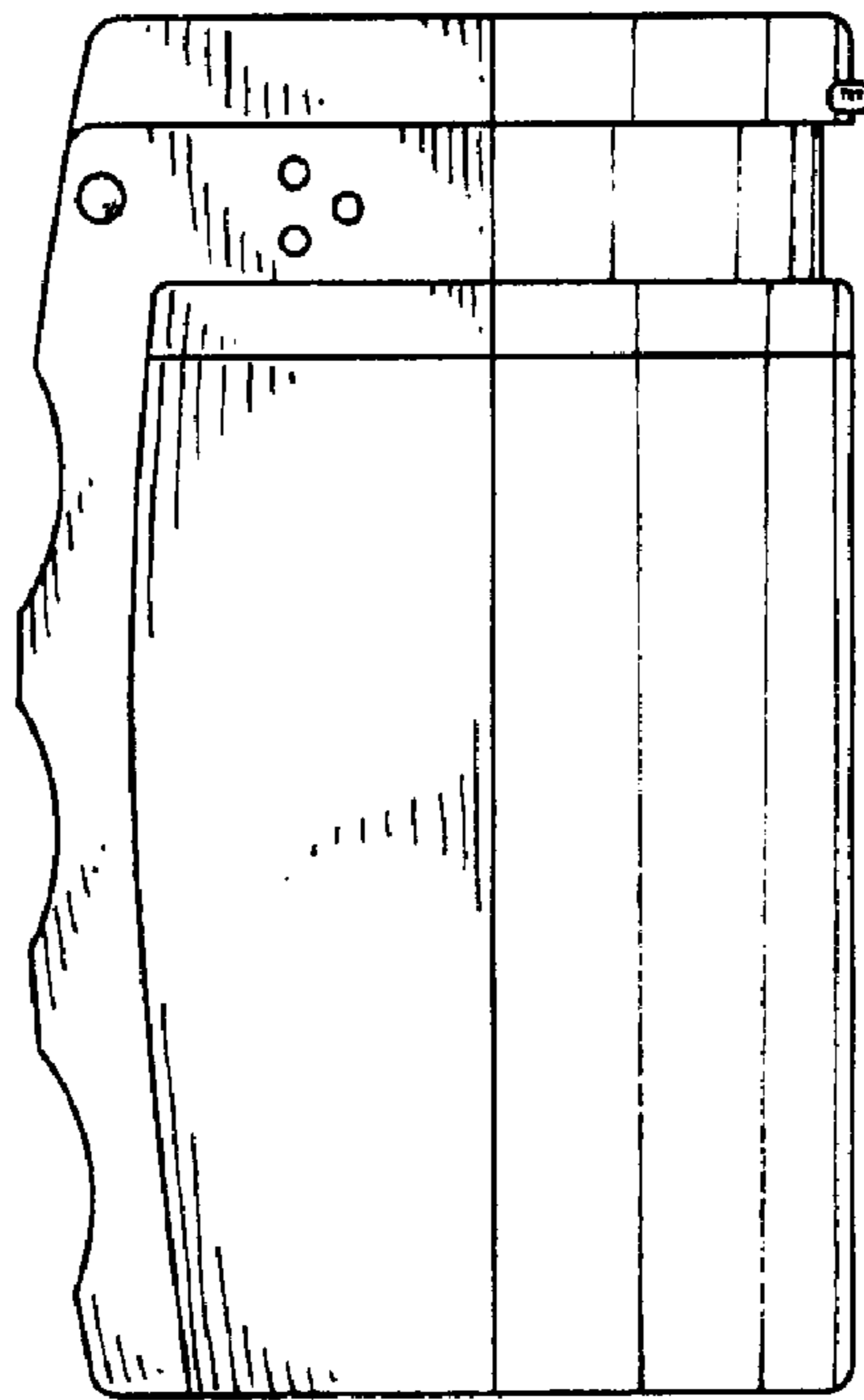


FIG. 2

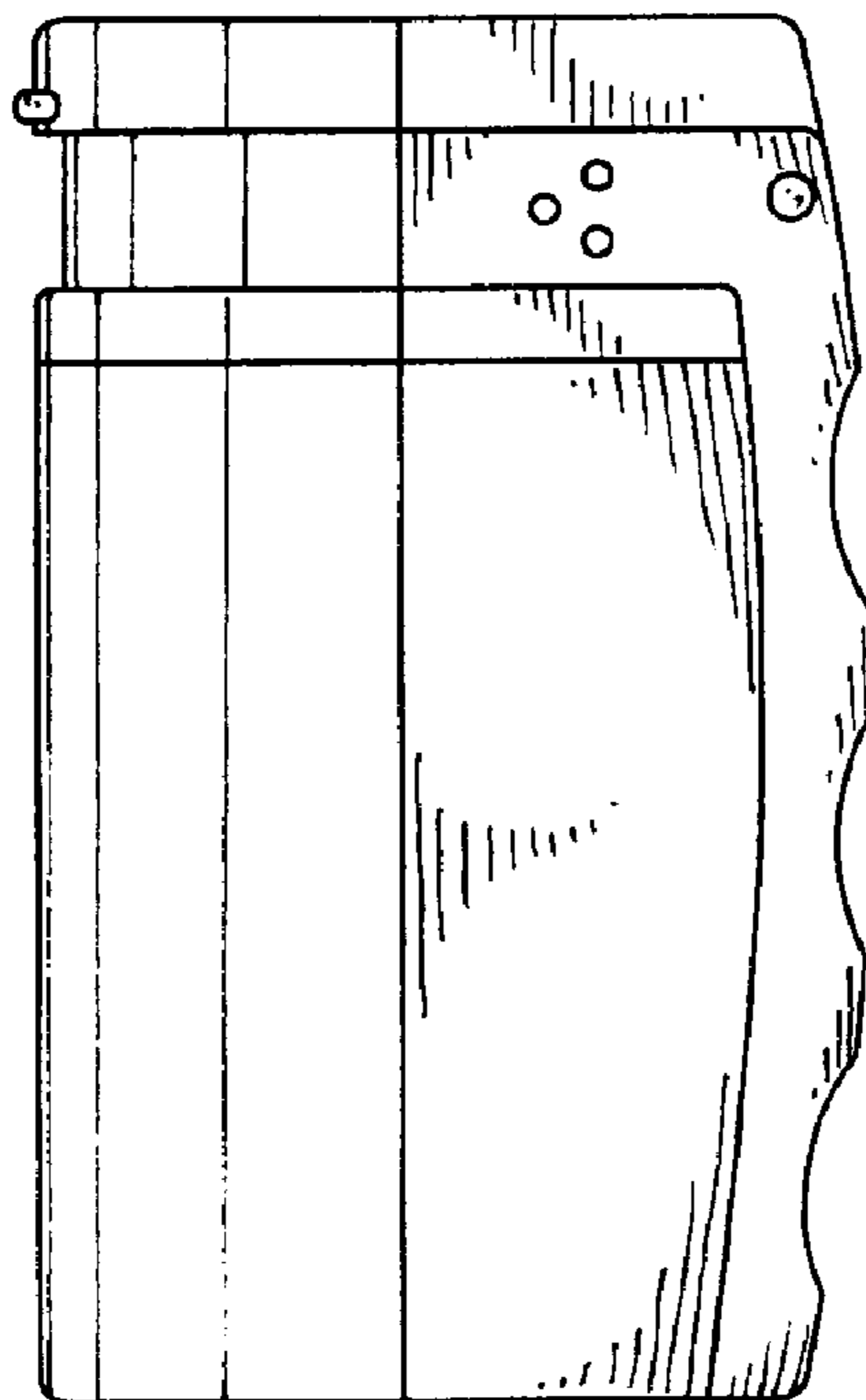


FIG. 3

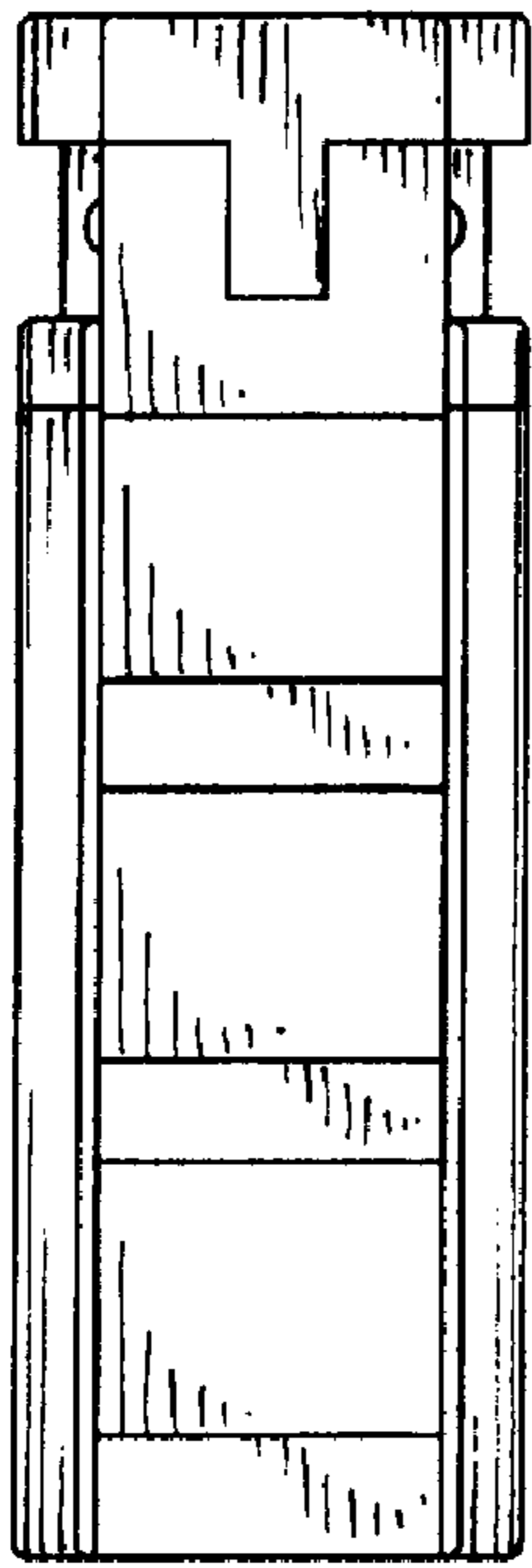


FIG. 4

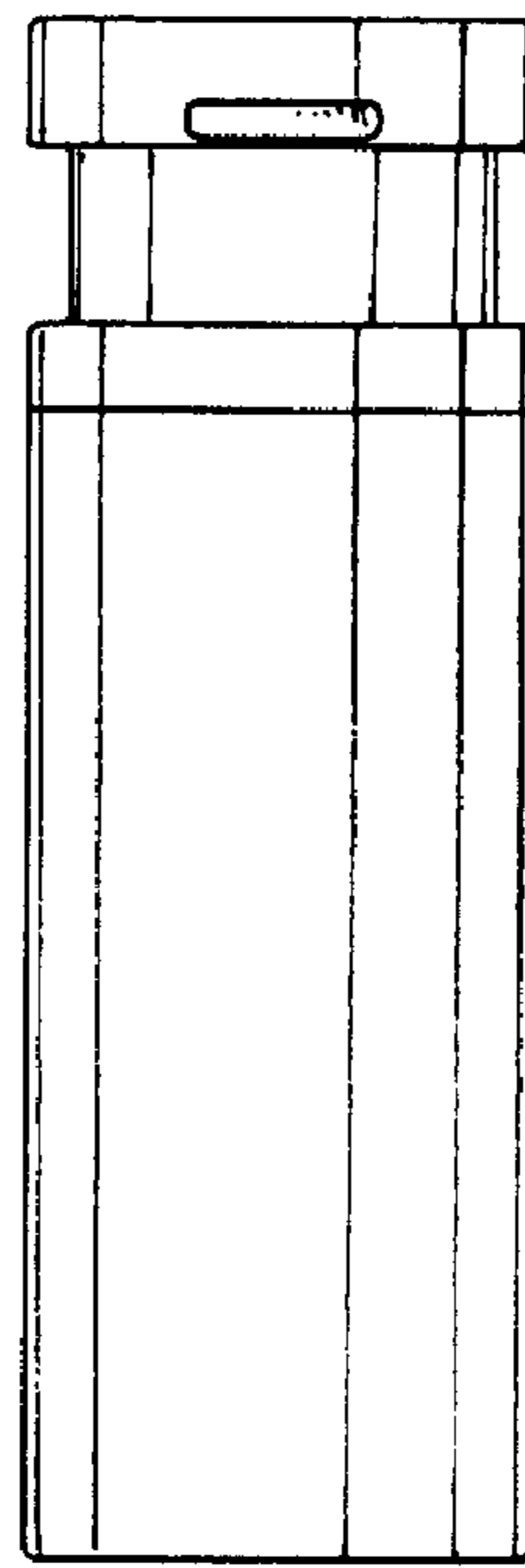


FIG. 5

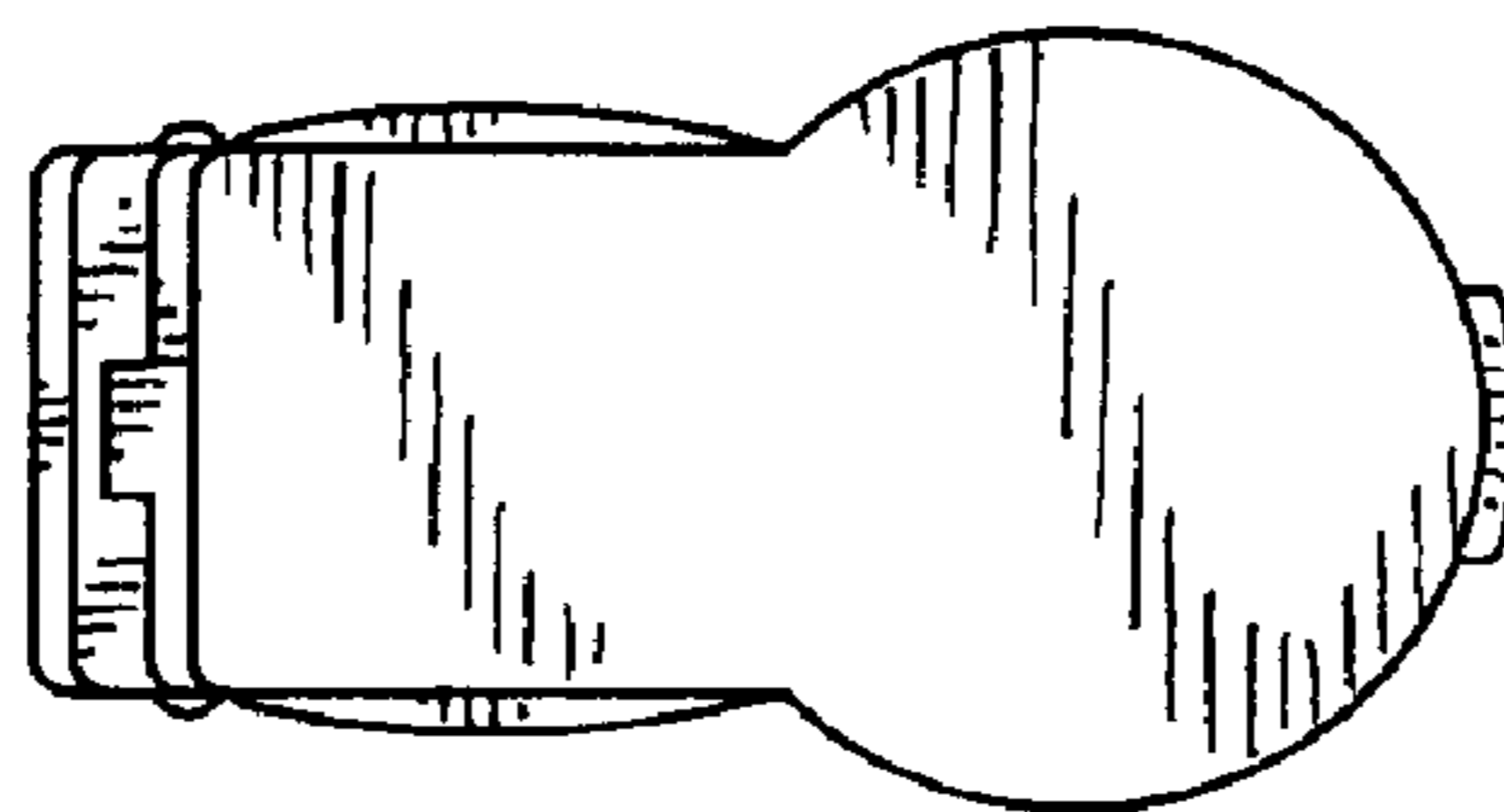


FIG. 6

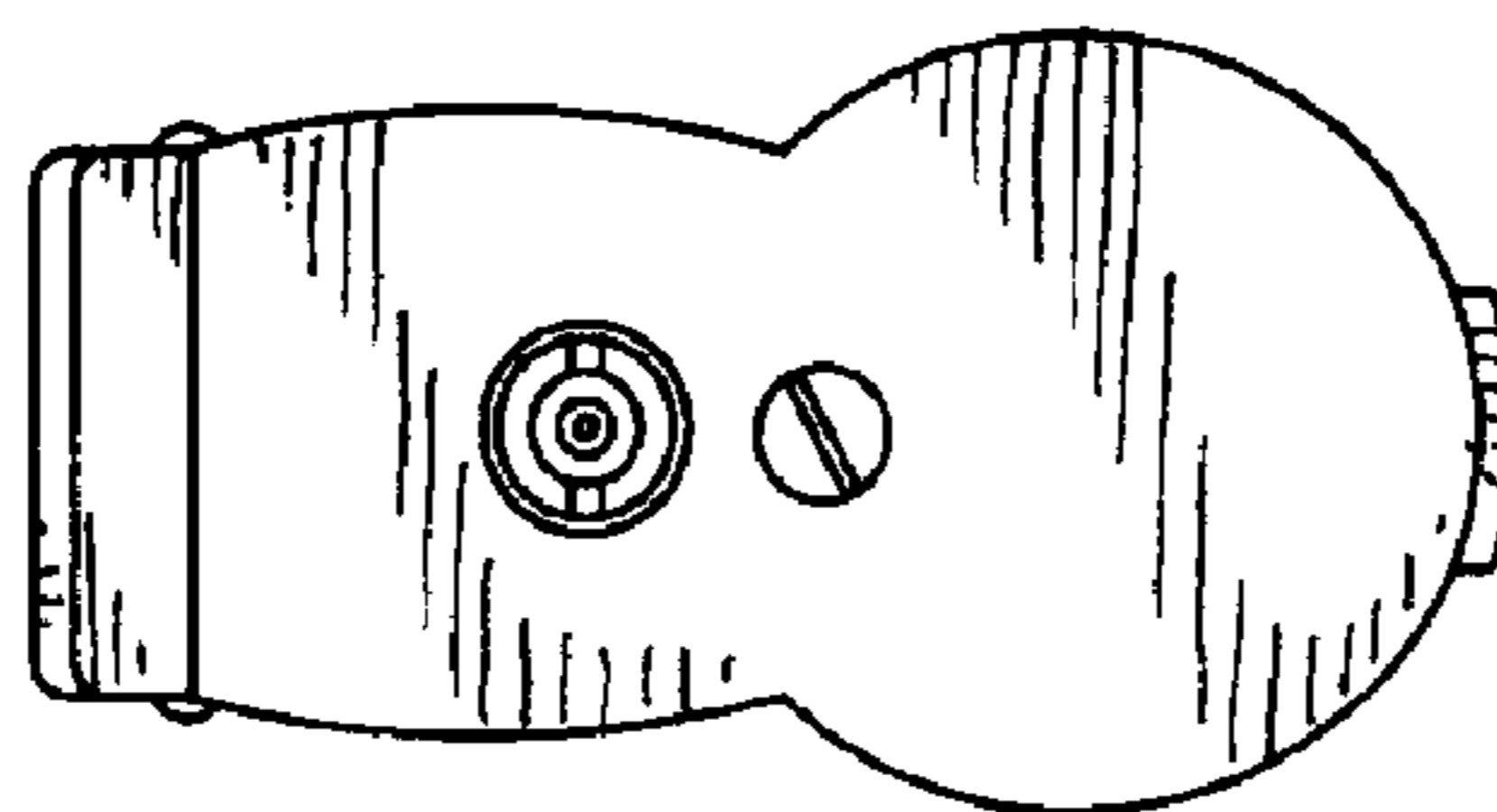


FIG. 7

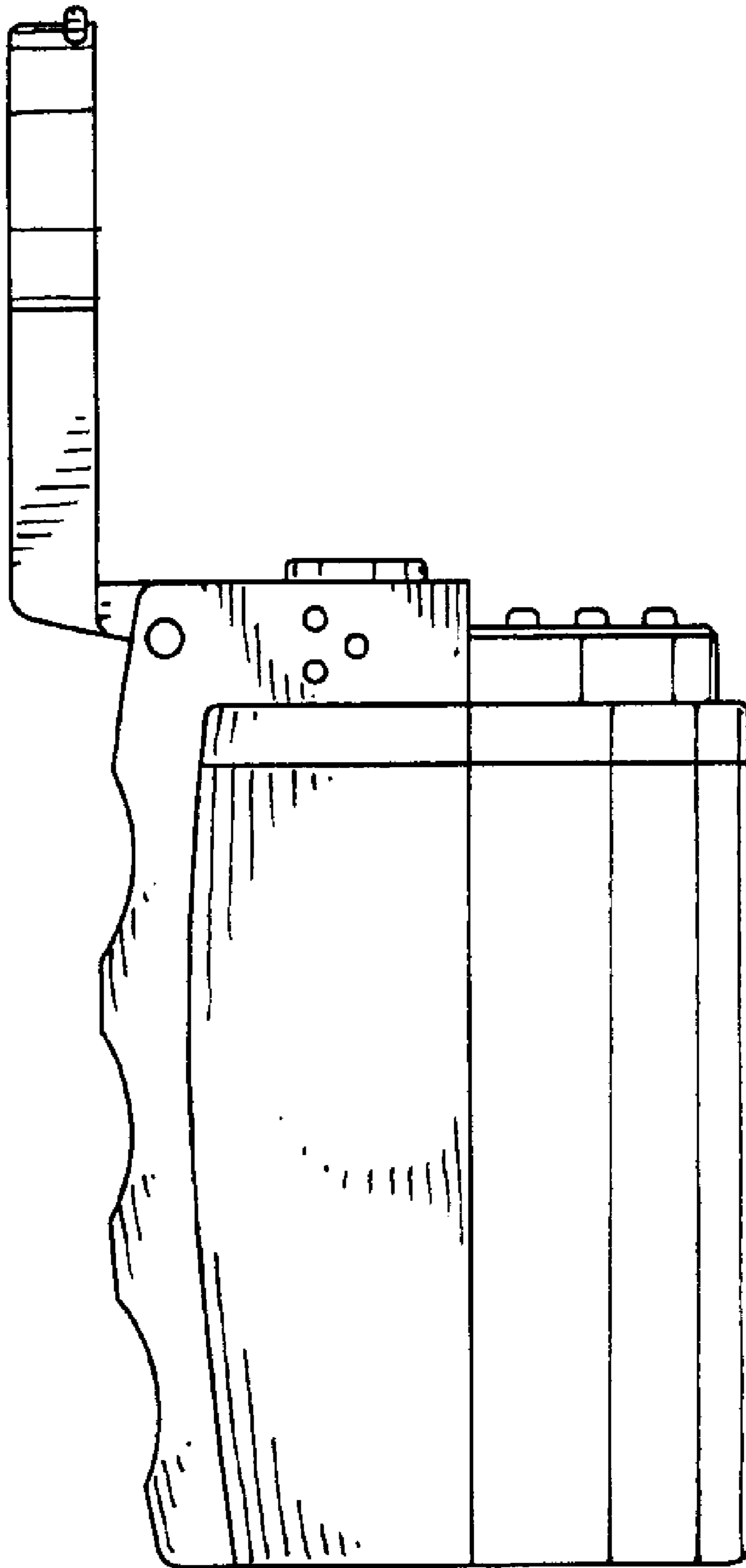


FIG. 8