



US00D528245S

(12) **United States Design Patent**
Smith

(10) **Patent No.:** **US D528,245 S**

(45) **Date of Patent:** **** Sep. 12, 2006**

(54) **LIGHTER**

(75) Inventor: **Andrew D. Smith**, Pascoag, RI (US)

(73) Assignee: **Colibri Corporation**, Providence, RI (US)

(**) Term: **14 Years**

(21) Appl. No.: **29/227,707**

(22) Filed: **Apr. 13, 2005**

(51) **LOC (8) Cl.** **27-03**

(52) **U.S. Cl.** **D27/142; D8/34**

(58) **Field of Classification Search** D27/139,
D27/141-143, 154-160; 431/129, 253-256,
431/273-277; D8/34

See application file for complete search history.

(56) **References Cited**

U.S. PATENT DOCUMENTS

2,558,265 A	6/1951	Mosch	
D170,767 S	* 11/1953	Polk D27/142
2,691,287 A	10/1954	Mosch	
4,854,856 A	8/1989	Steiger, Jr. et al.	
5,169,305 A	12/1992	Kee	
5,829,965 A	11/1998	Rubalcava	

6,142,769 A	11/2000	Walker	
D435,141 S	12/2000	Reynolds	
D452,037 S	12/2001	Smith	
D458,098 S	* 6/2002	Hastings D8/34
D464,168 S	10/2002	Reynolds et al.	
D465,880 S	* 11/2002	Smith D27/157

* cited by examiner

Primary Examiner—Jennifer Rivard

(74) *Attorney, Agent, or Firm*—Salter & Michaelson

(57) **CLAIM**

The ornamental design for a lighter, as shown.

DESCRIPTION

FIG. 1 is a perspective view of a lighter showing my new design;

FIG. 2 is a front elevational view thereof;

FIG. 3 is a rear elevational view thereof;

FIG. 4 is a right side elevational view thereof;

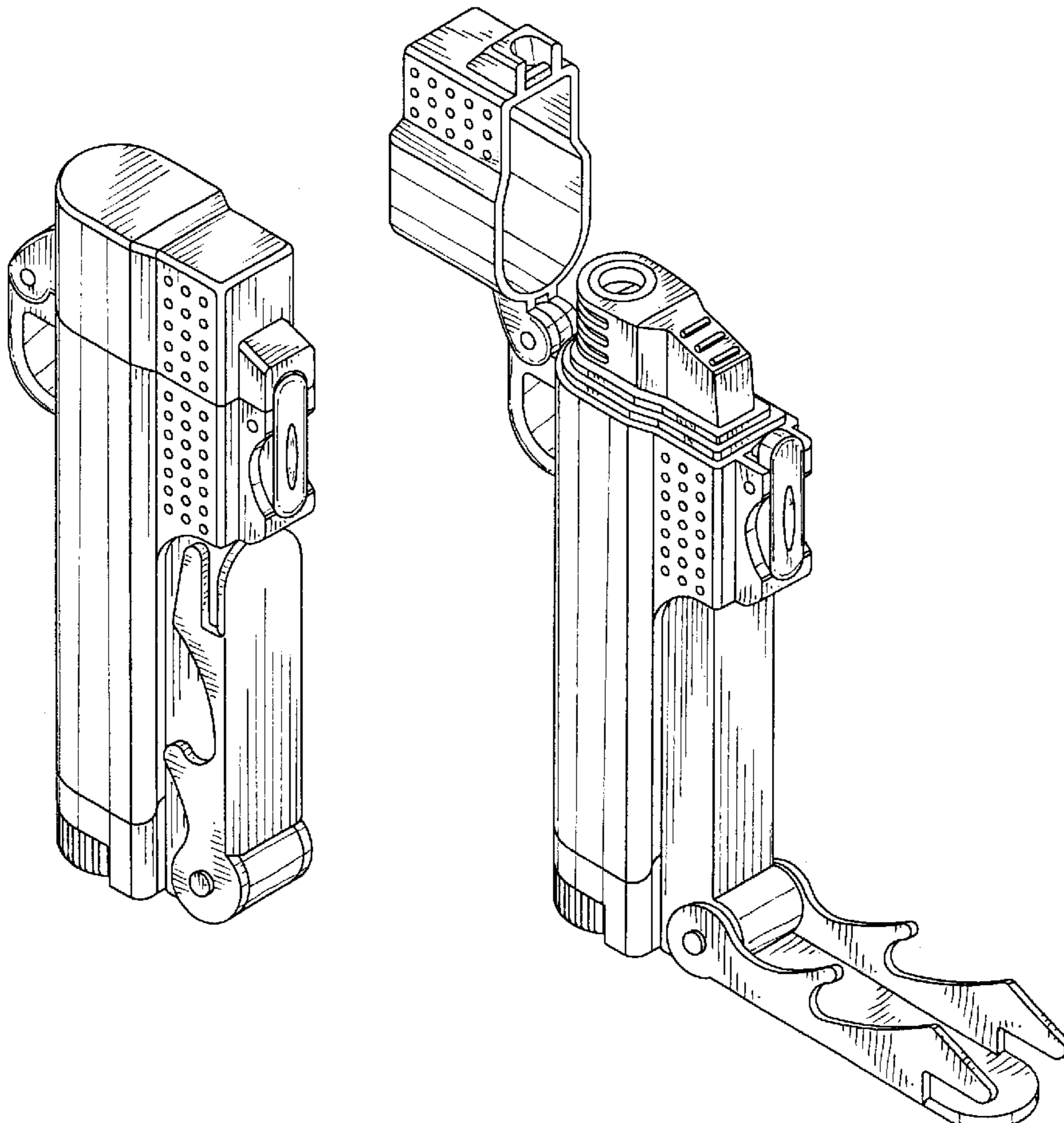
FIG. 5 is a left side elevational view thereof;

FIG. 6 is a top plan view thereof;

FIG. 7 is a bottom plan view thereof; and,

FIG. 8 is a perspective view thereof with the cover and bottle opener in its opened position.

1 Claim, 4 Drawing Sheets



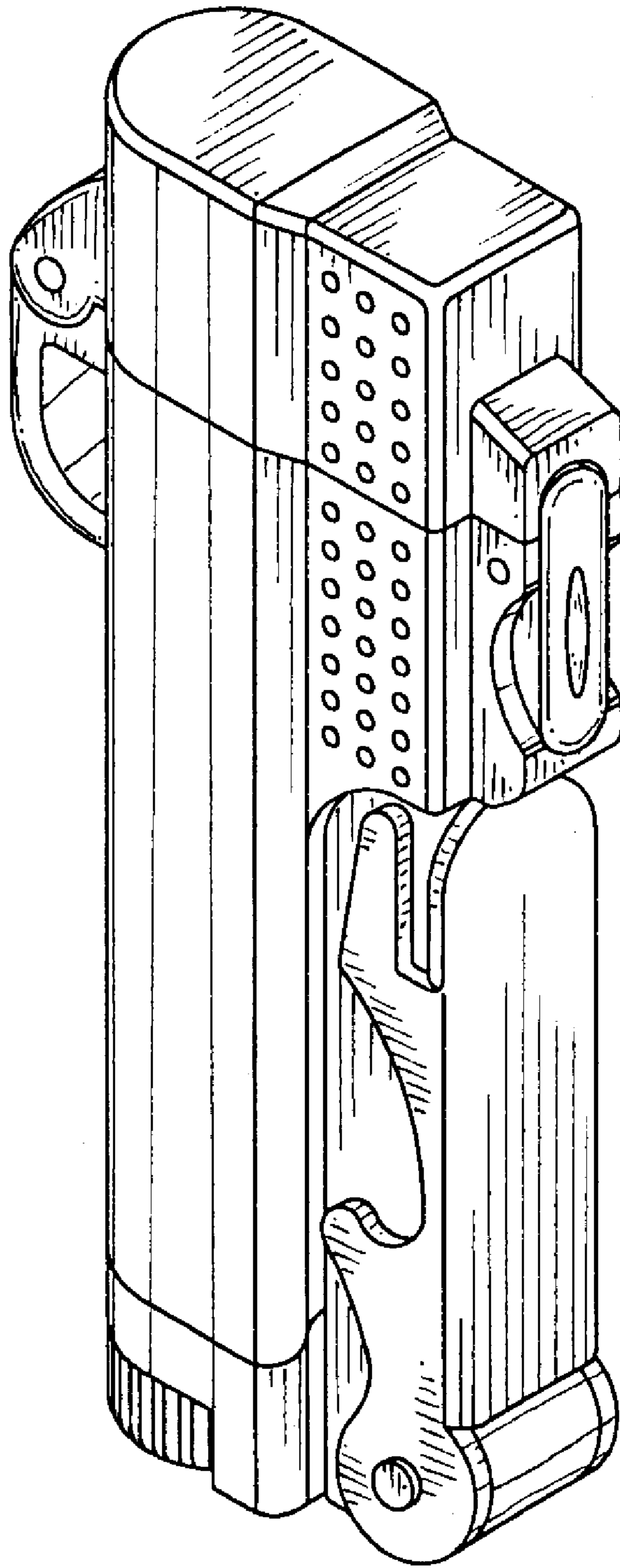


FIG. 1

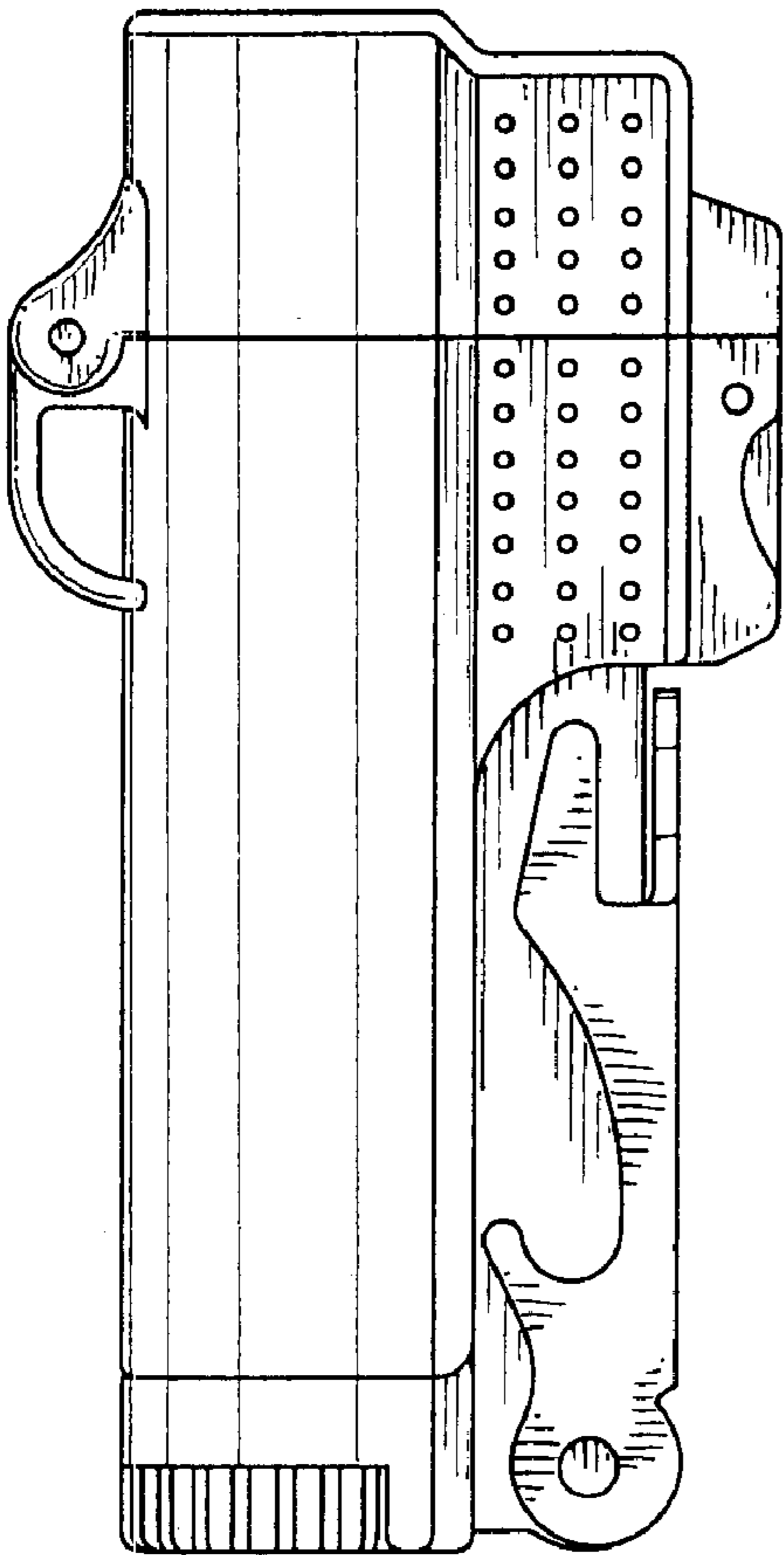


FIG. 2

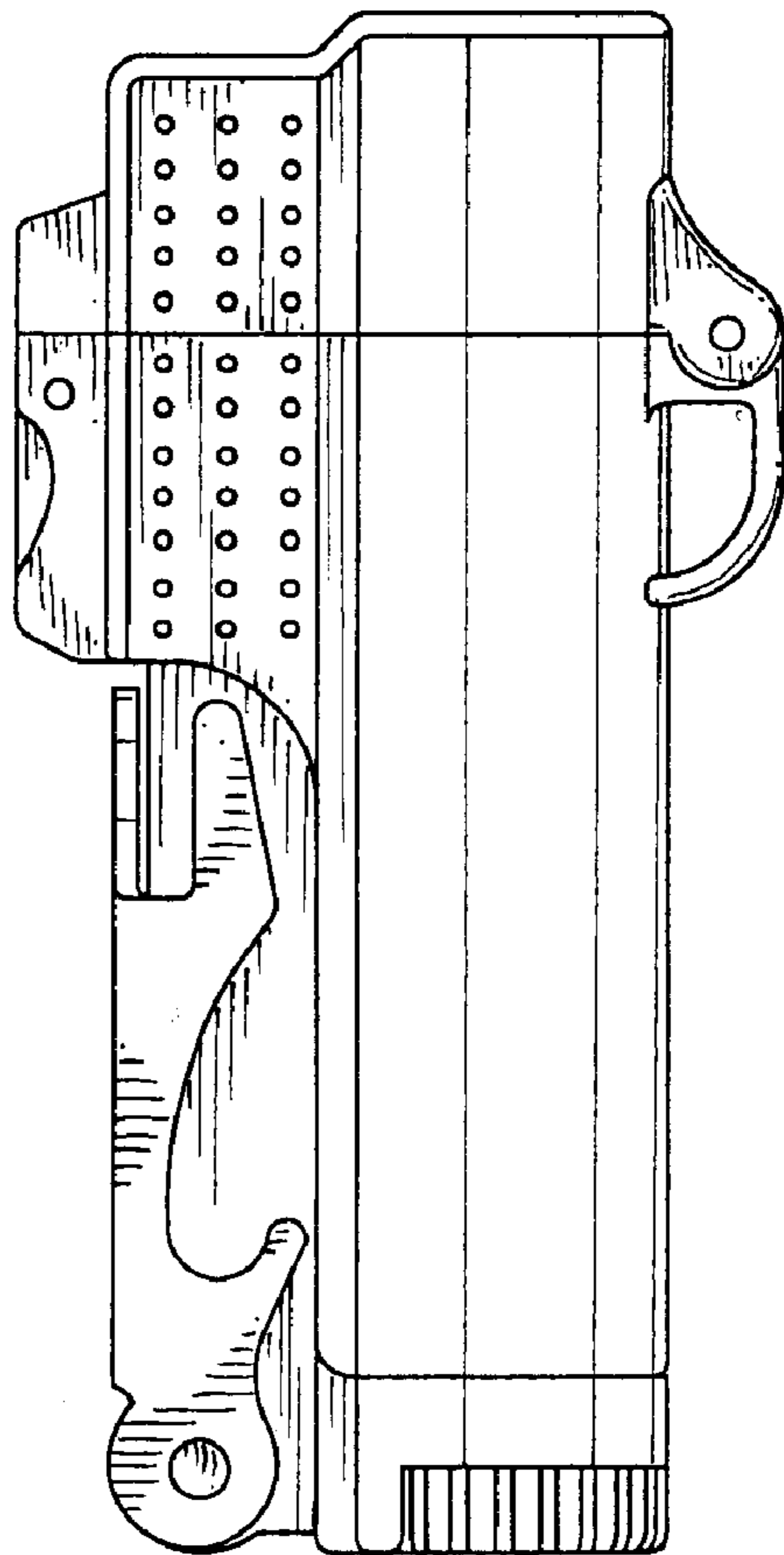


FIG. 3

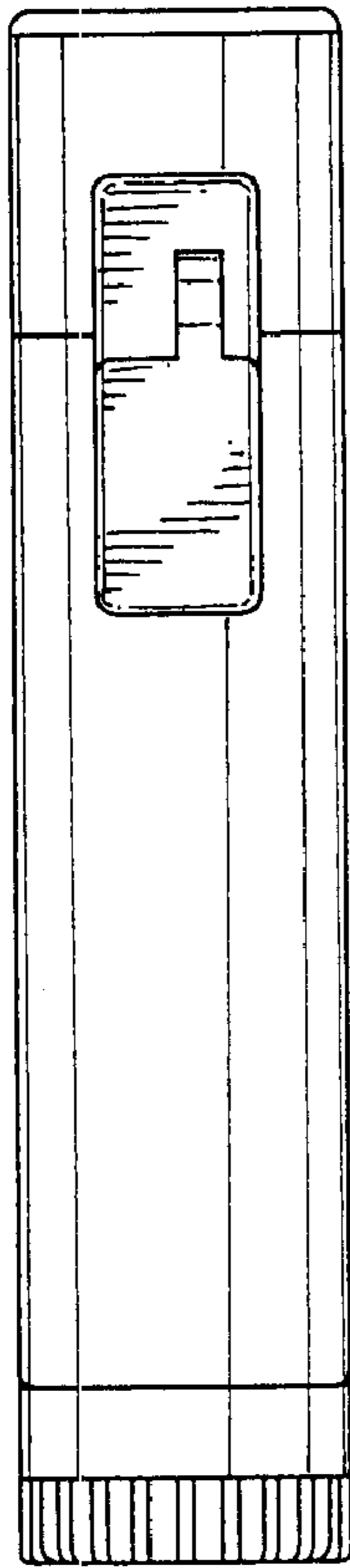


FIG. 4

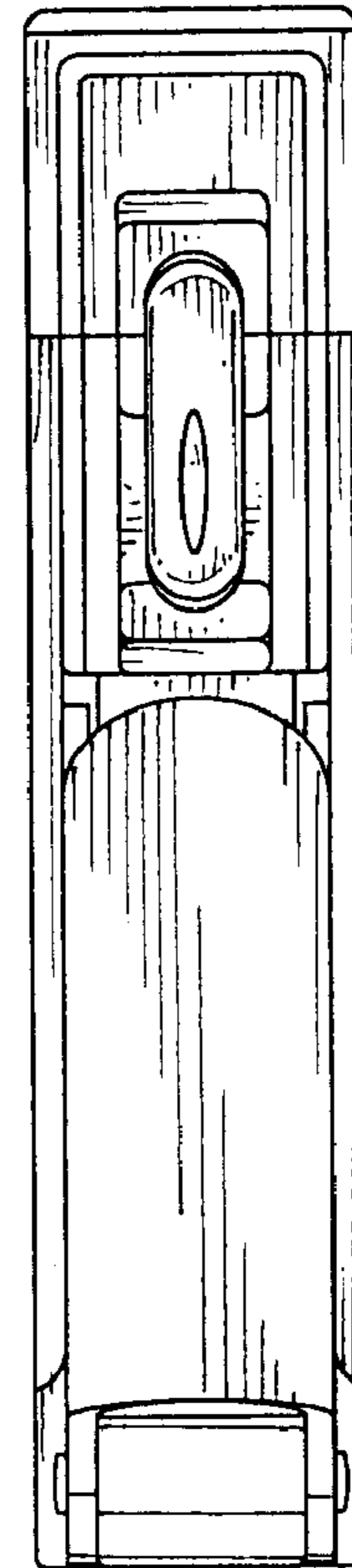


FIG. 5

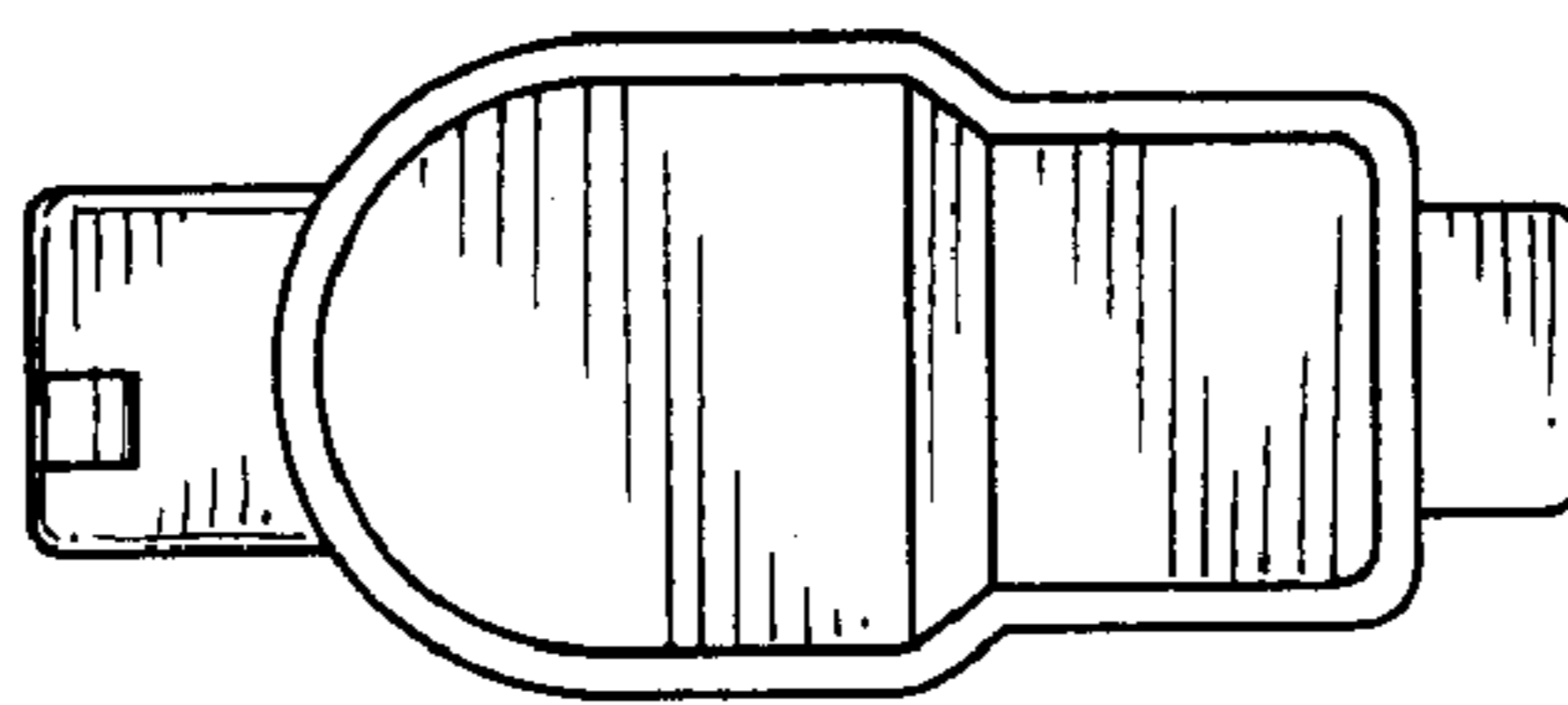


FIG. 6

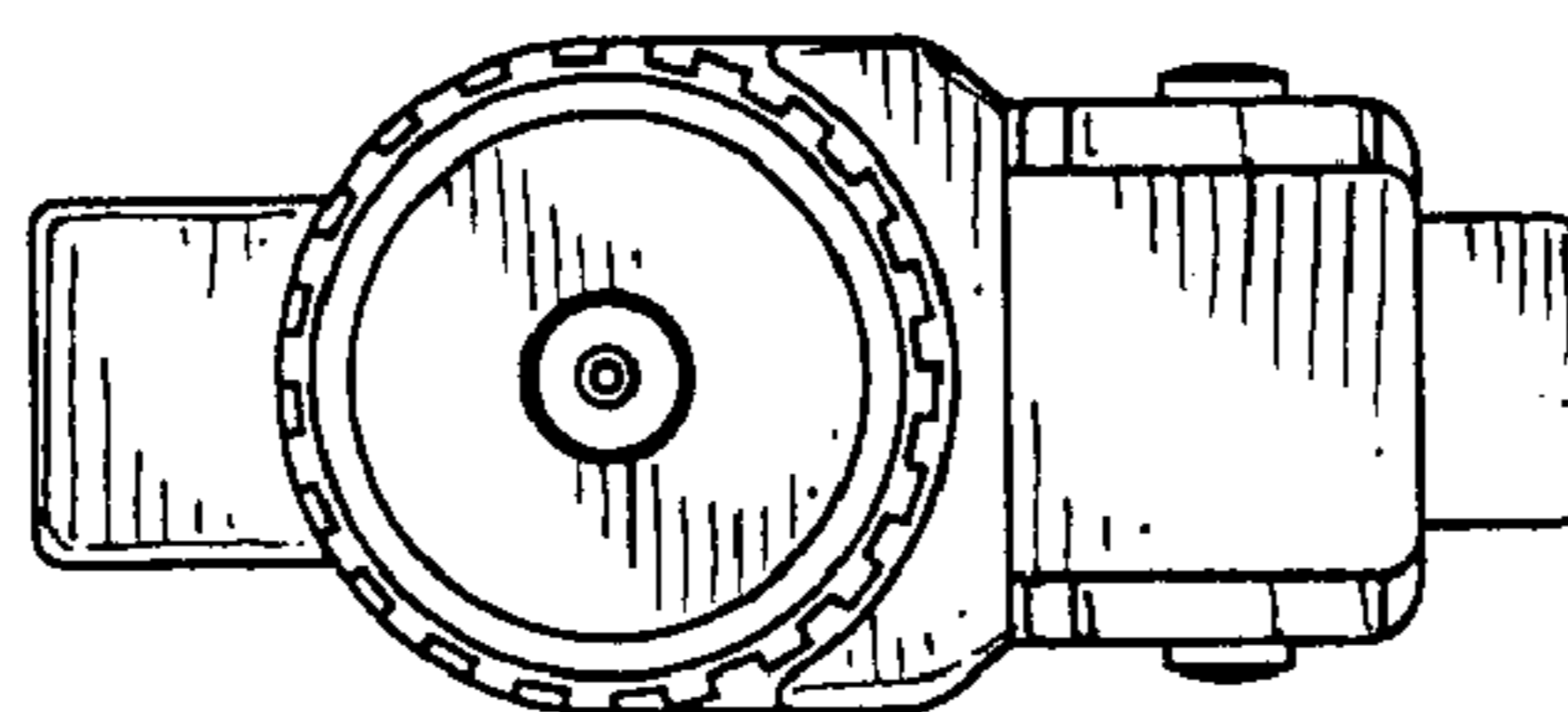


FIG. 7

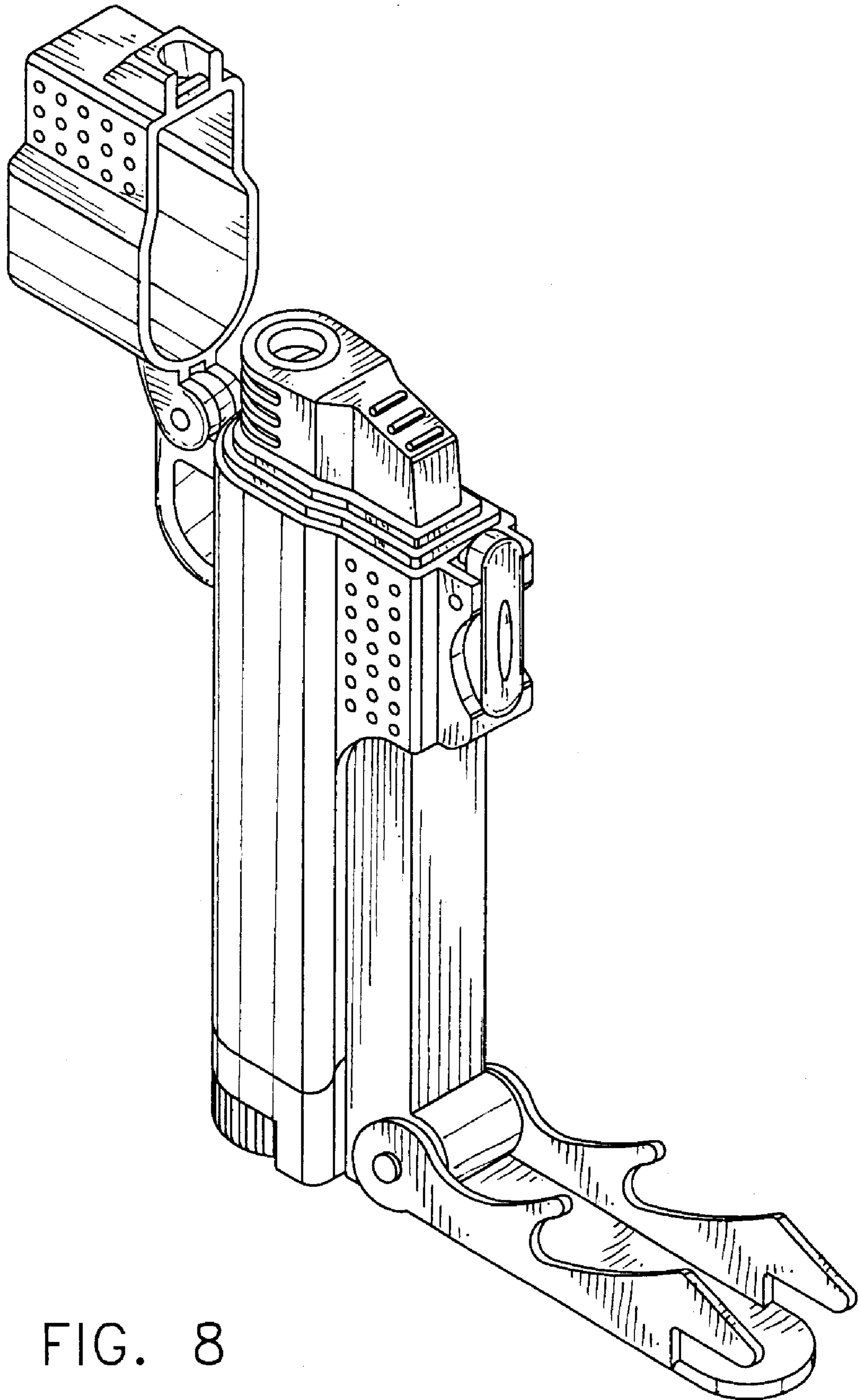


FIG. 8