



US00D528242S

(12) **United States Design Patent**  
**Wood**

(10) **Patent No.:** **US D528,242 S**

(45) **Date of Patent:** **\*\* Sep. 12, 2006**

(54) **SOLAR LIGHT**

(75) Inventor: **Brian Wood**, McKinney, TX (US)

(73) Assignee: **The Brinkman Corporation**, Dallas, TX (US)

(\*\*) Term: **14 Years**

(21) Appl. No.: **29/228,686**

(22) Filed: **Apr. 26, 2005**

(51) **LOC (8) Cl.** ..... **26-05**

(52) **U.S. Cl.** ..... **D26/67; D26/69**

(58) **Field of Classification Search** ..... D26/67-71,  
D26/113, 61, 63, 65; D13/102; 362/183,  
362/153, 285, 287, 288, 362, 363, 431, 427;  
126/589, 704; 136/251

See application file for complete search history.

(56) **References Cited**

**U.S. PATENT DOCUMENTS**

- D164,065 S \* 7/1951 Rutledge ..... D26/71
- D195,094 S \* 4/1963 Hisky ..... D26/71
- D221,982 S \* 9/1971 Little ..... D26/67
- D310,268 S \* 8/1990 Shalvi ..... D26/67

- 5,211,470 A \* 5/1993 Frost et al. .... 362/183
- D374,497 S \* 10/1996 Shalvi ..... D26/68
- D439,999 S \* 4/2001 Stekelenburg ..... D26/65

\* cited by examiner

*Primary Examiner*—Clare E Heflin

(74) *Attorney, Agent, or Firm*—Sheppard, Mullin, Richter & Hampton LLP

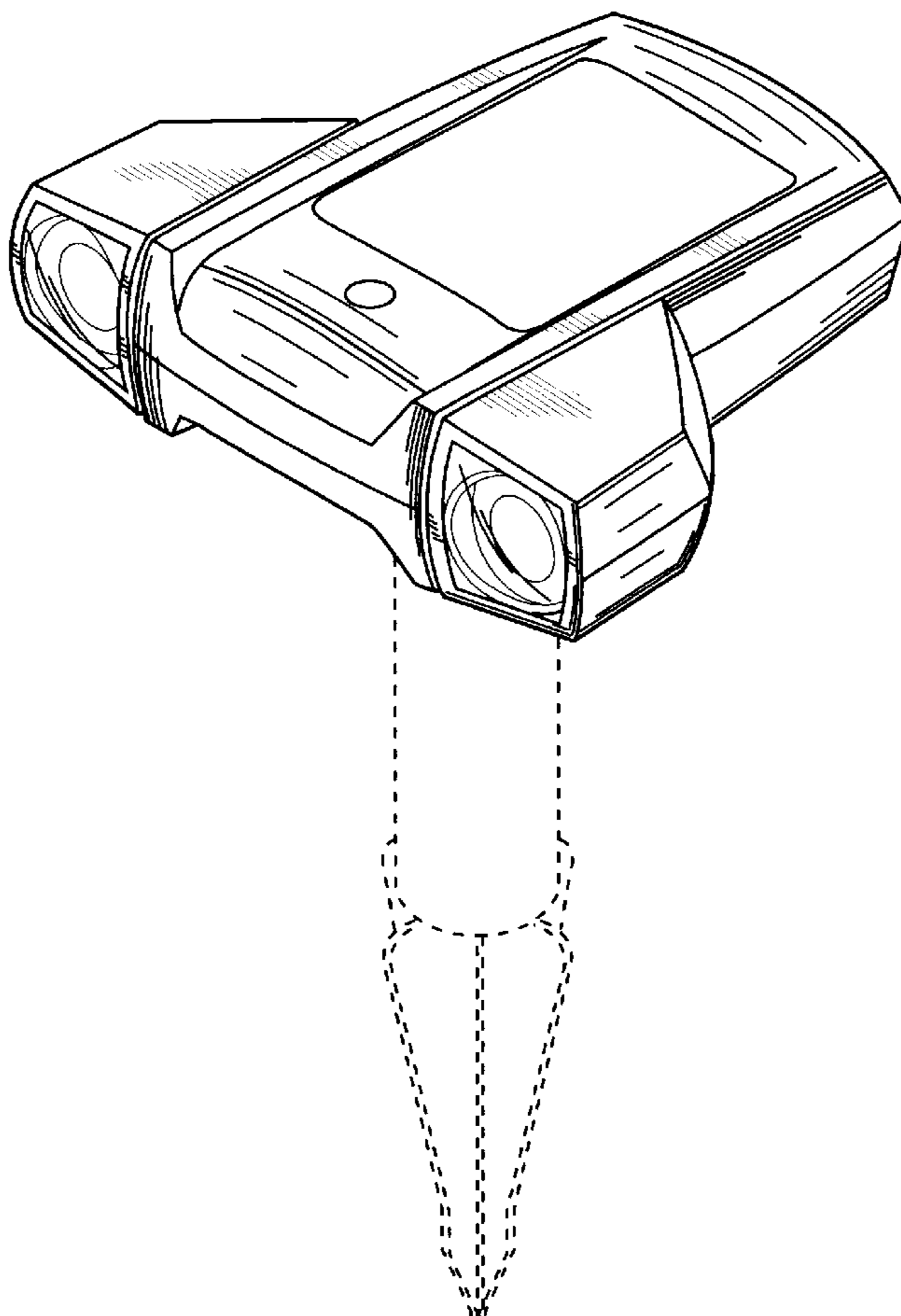
(57) **CLAIM**

I claim the ornamental design for a solar light, as shown and described.

**DESCRIPTION**

FIG. 1 is a perspective view of the solar light showing the new design;  
 FIG. 2 is a front elevational view thereof;  
 FIG. 3 is a rear elevational view thereof;  
 FIG. 4 is a right side elevational view thereof; the left side elevational view being a mirror image thereof;  
 FIG. 5 is a top plan view thereof; and,  
 FIG. 6 is a bottom plan view thereof.  
 The dotted lines are for illustrative purposes only and form no part of the claimed design.

**1 Claim, 3 Drawing Sheets**



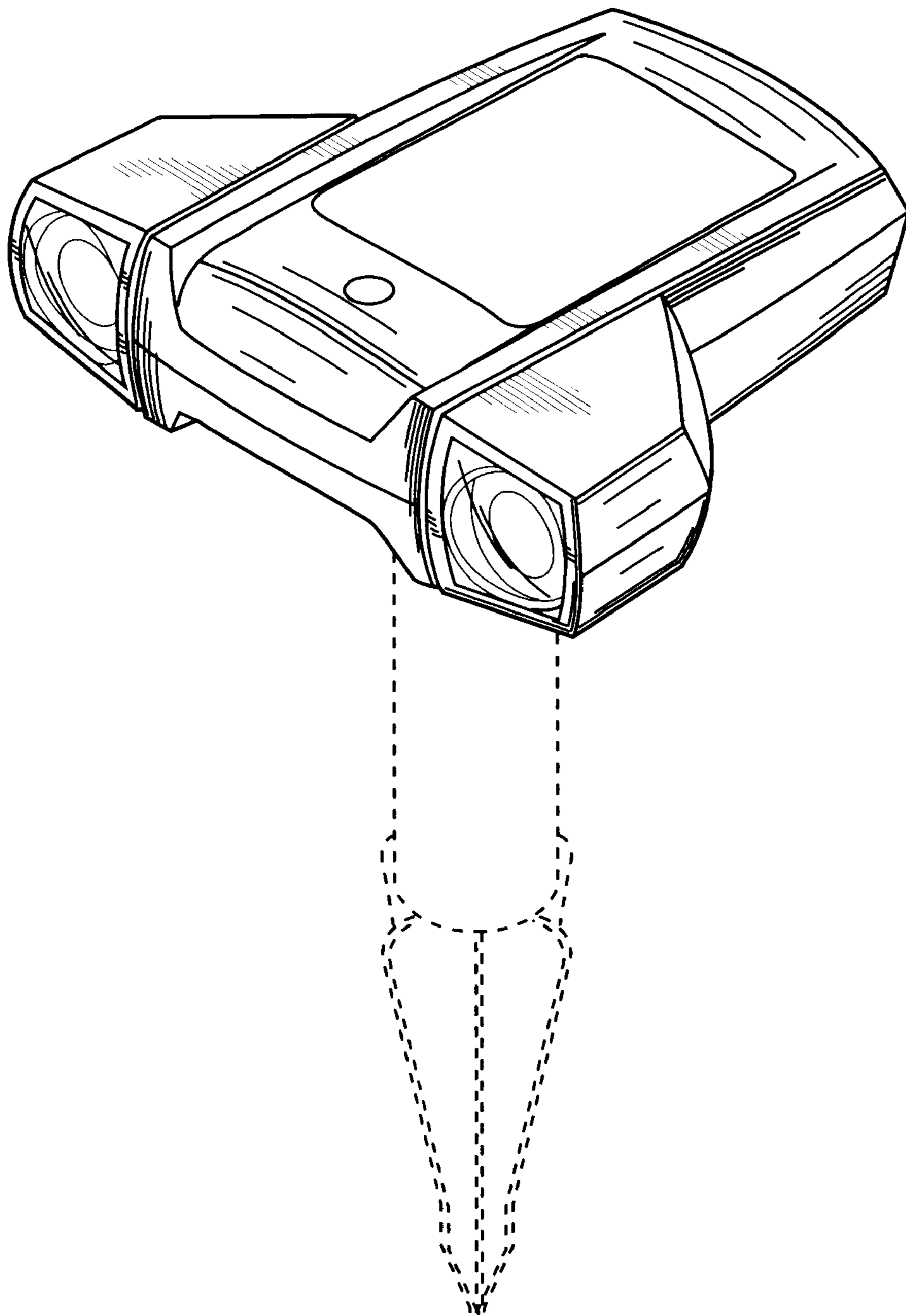


FIG. 1

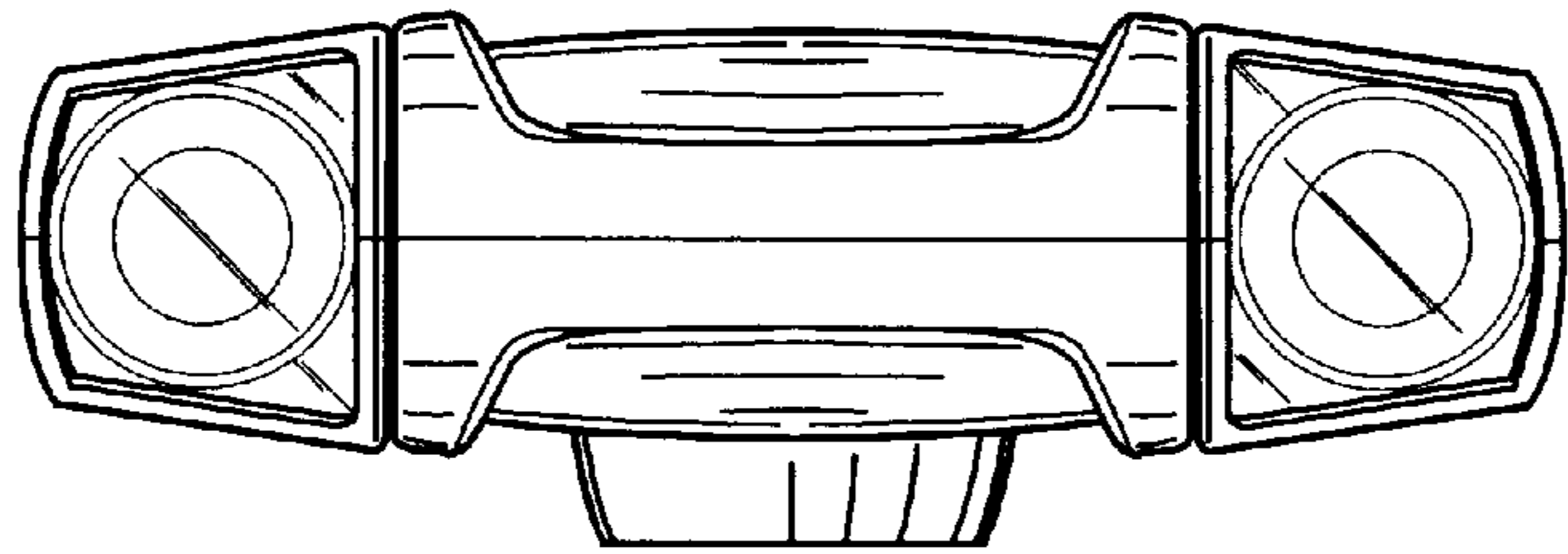


FIG. 2

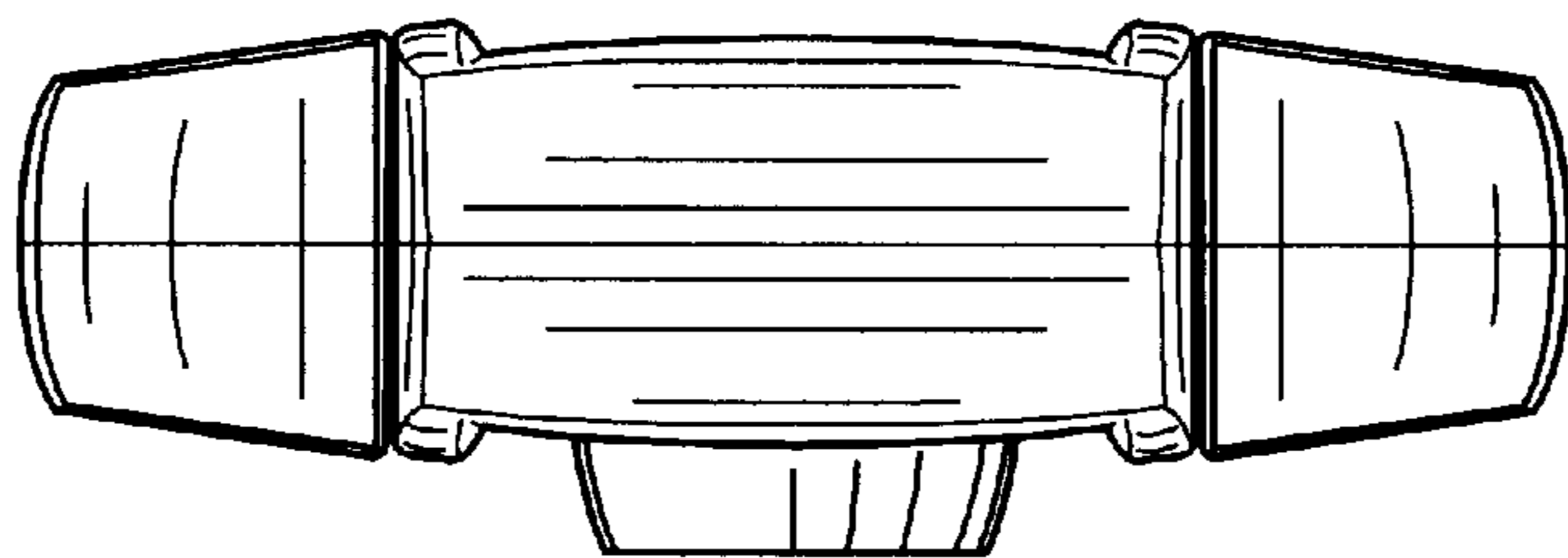


FIG. 3

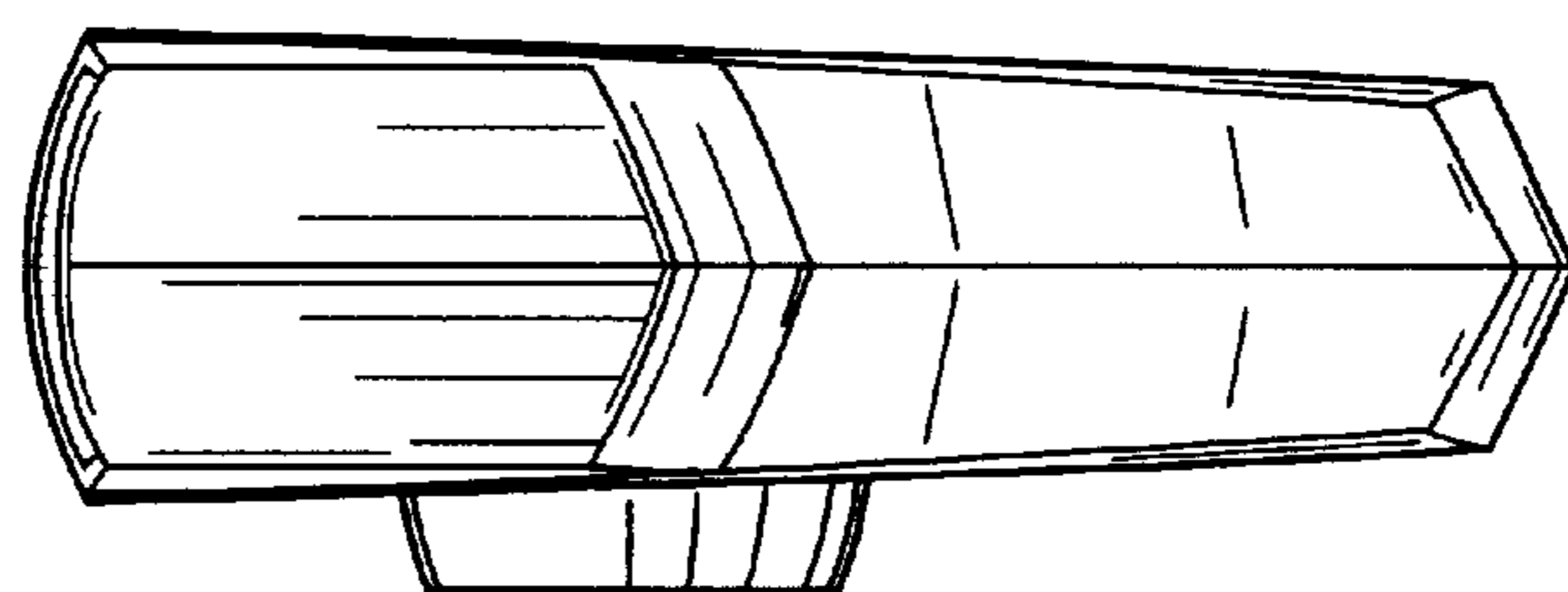


FIG. 4

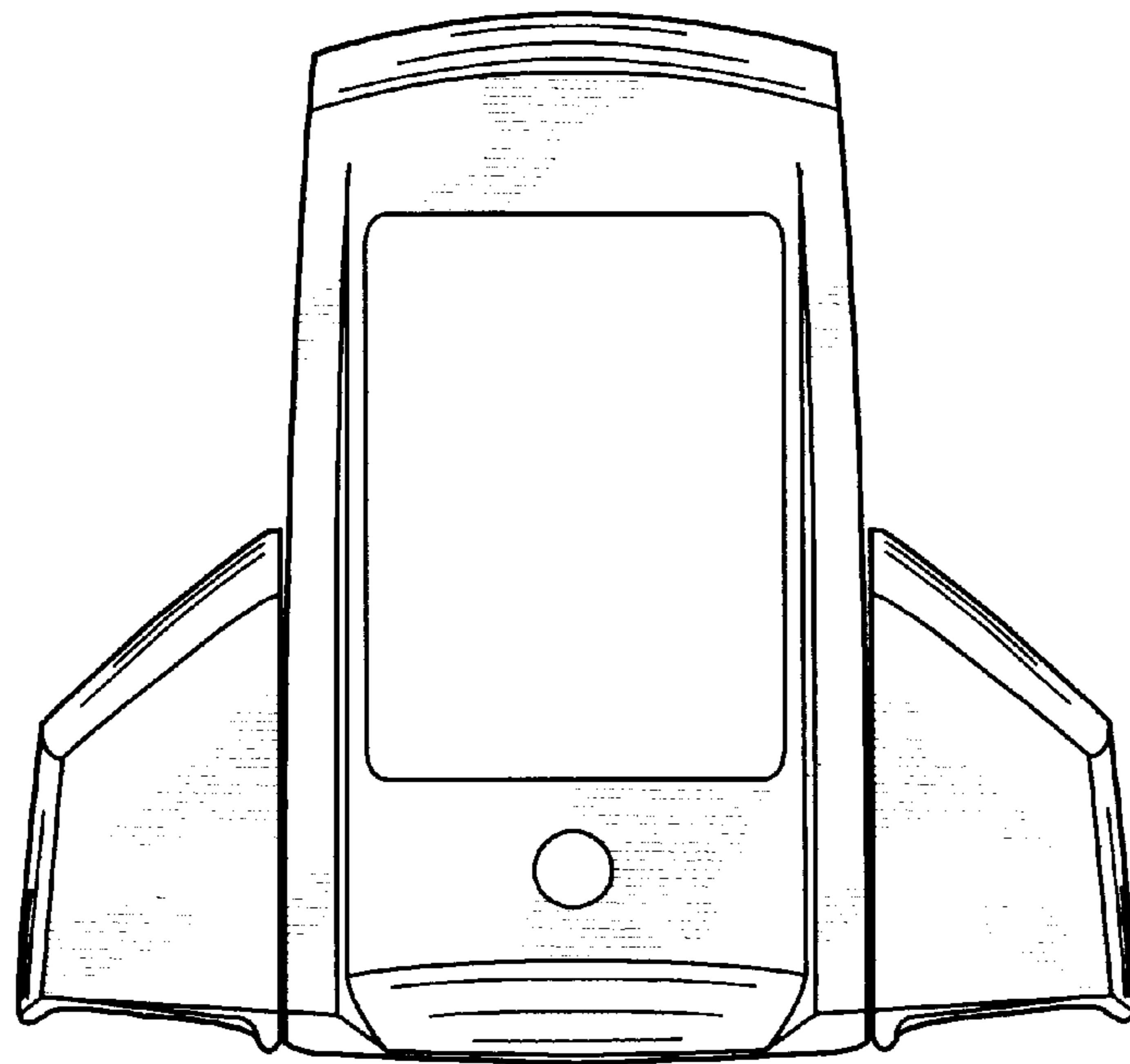


FIG. 5

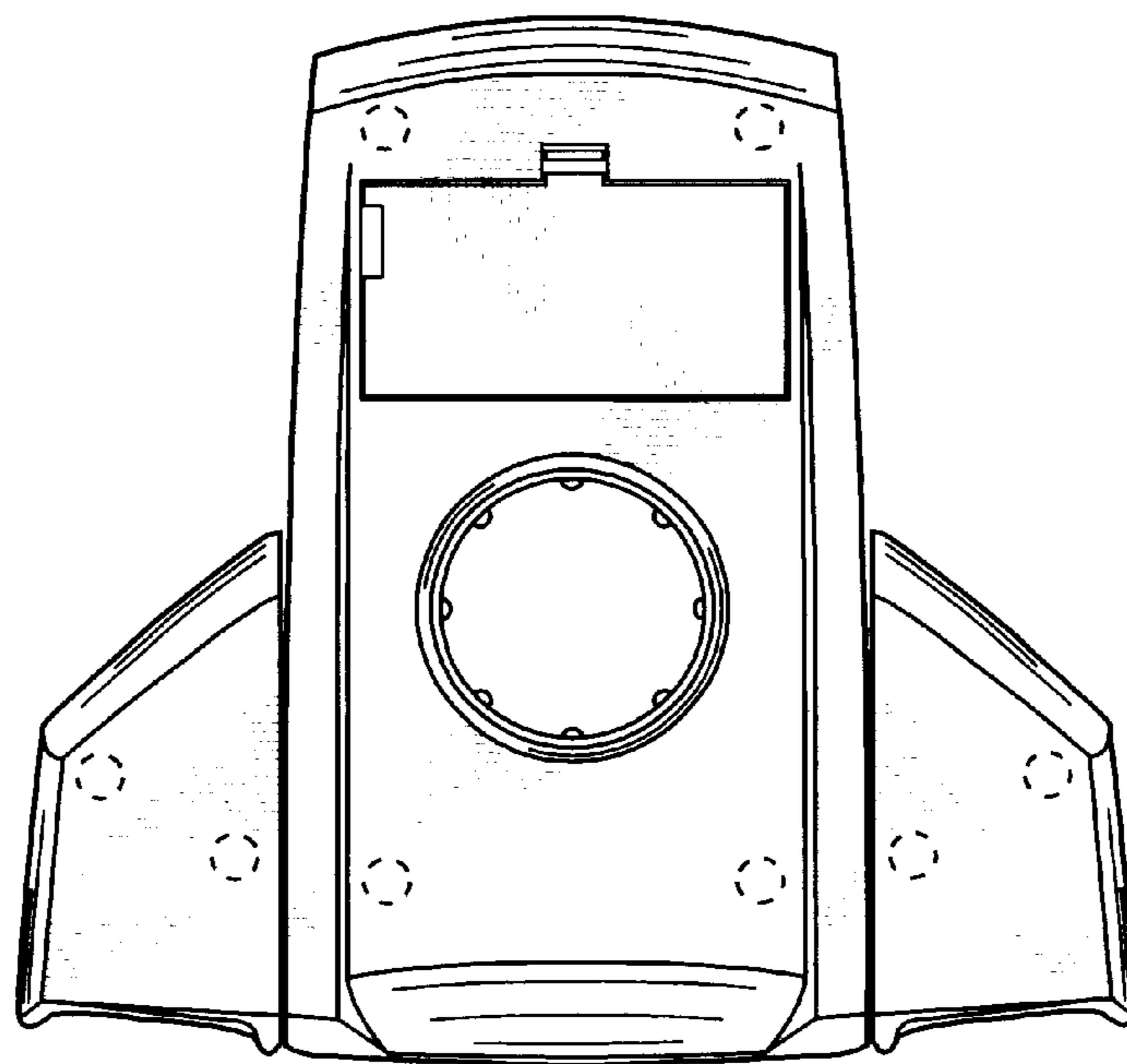


FIG. 6

UNITED STATES PATENT AND TRADEMARK OFFICE  
**CERTIFICATE OF CORRECTION**

PATENT NO. : Des. 528,242 S  
APPLICATION NO. : 29/228686  
DATED : September 12, 2006  
INVENTOR(S) : Brian Wood


Page 1 of 1

It is certified that error appears in the above-identified patent and that said Letters Patent is hereby corrected as shown below:

On Title Page, Item (73) "The Brinkman Corporation" should read, --The Brinkmann Corporation.--

Signed and Sealed this

Twenty-first Day of November, 2006

A handwritten signature in black ink on a light gray dotted background. The signature reads "Jon W. Dudas" in a cursive, stylized script.

JON W. DUDAS

*Director of the United States Patent and Trademark Office*