



US00D528237S

(12) **United States Design Patent**  
**Ford**

(10) **Patent No.:** **US D528,237 S**

(45) **Date of Patent:** **\*\* Sep. 12, 2006**

(54) **LIGHT STICK**

D438,656 S \* 3/2001 Lupica ..... D26/37  
D490,179 S \* 5/2004 Niemann ..... D26/37

(75) Inventor: **Timothy D.F. Ford**, Beaconsfield (CA)

\* cited by examiner

(73) Assignee: **The Flewelling Ford Family Trust**,  
Beaconsfield (CA)

*Primary Examiner*—Marcus A. Jackson  
(74) *Attorney, Agent, or Firm*—Goudreau Gage Dubuc;  
Hugh Mansfield

(\*\*) Term: **14 Years**

(57) **CLAIM**

(21) Appl. No.: **29/234,724**

The ornamental design for a light stick.

(22) Filed: **Jul. 22, 2005**

**DESCRIPTION**

(51) **LOC (8) Cl.** ..... **26-02**

(52) **U.S. Cl.** ..... **D26/37; D10/114**

(58) **Field of Classification Search** ..... D26/37–50;  
362/157, 158, 171–174, 183–208

See application file for complete search history.

FIG. 1 is a perspective view of the light stick;  
FIG. 2 is a bottom view of the light stick;  
FIG. 3 is a top view of the light stick;  
FIG. 4 is a front view of the light stick; and,  
FIG. 5 is a side view of the light stick, with the opposite side  
being a mirror image.

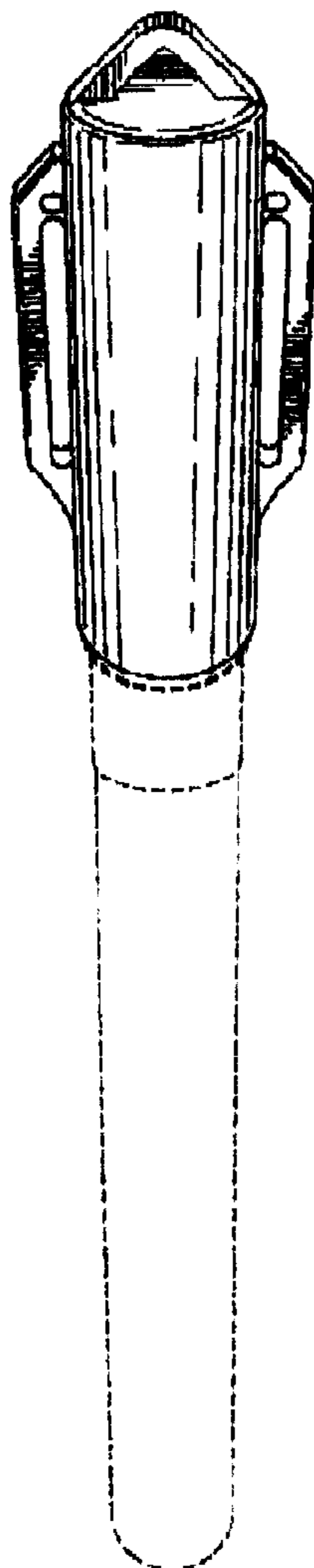
The broken line showing of the light portion is for illustrative purposes only and forms no part of the claimed design.

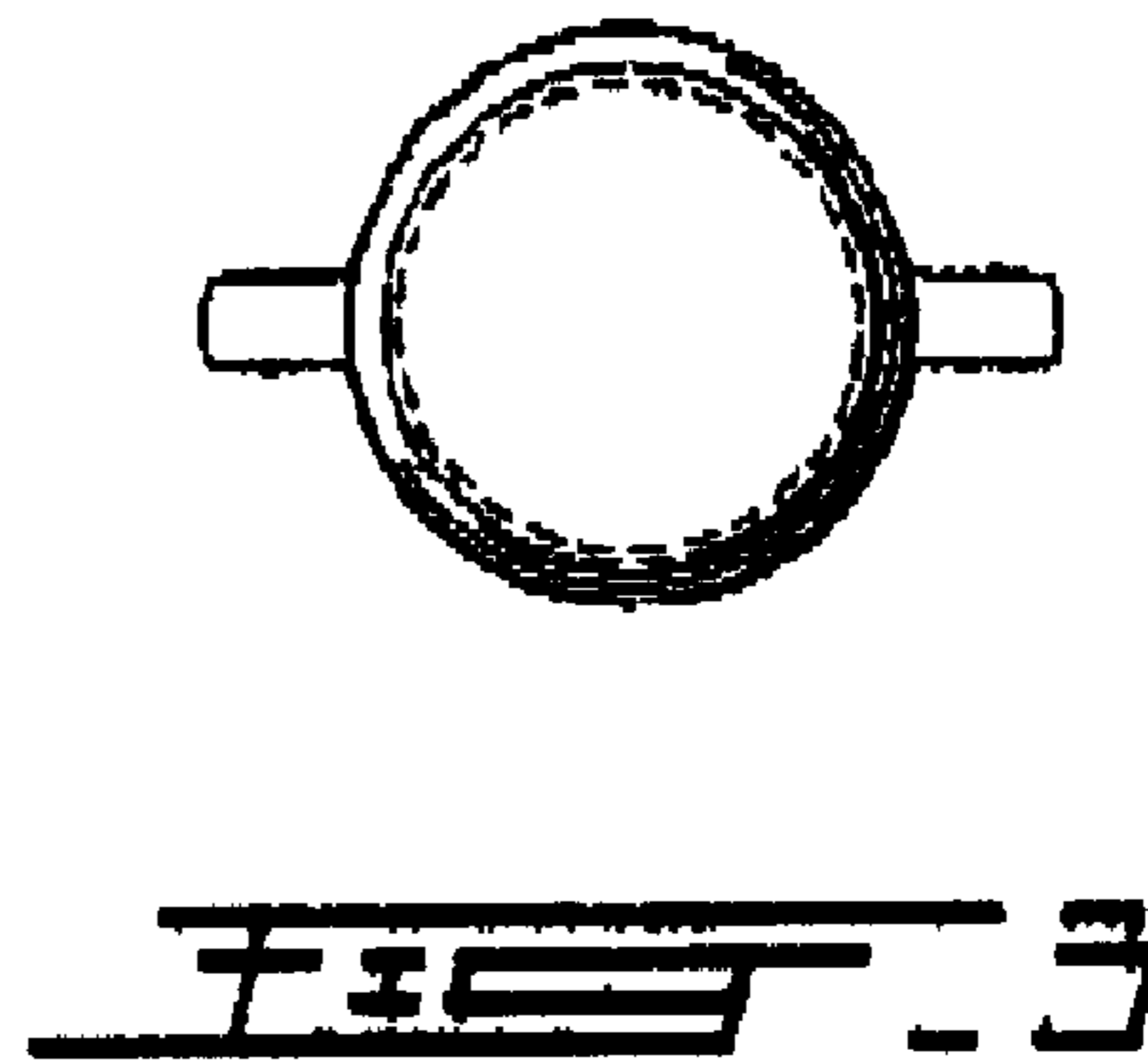
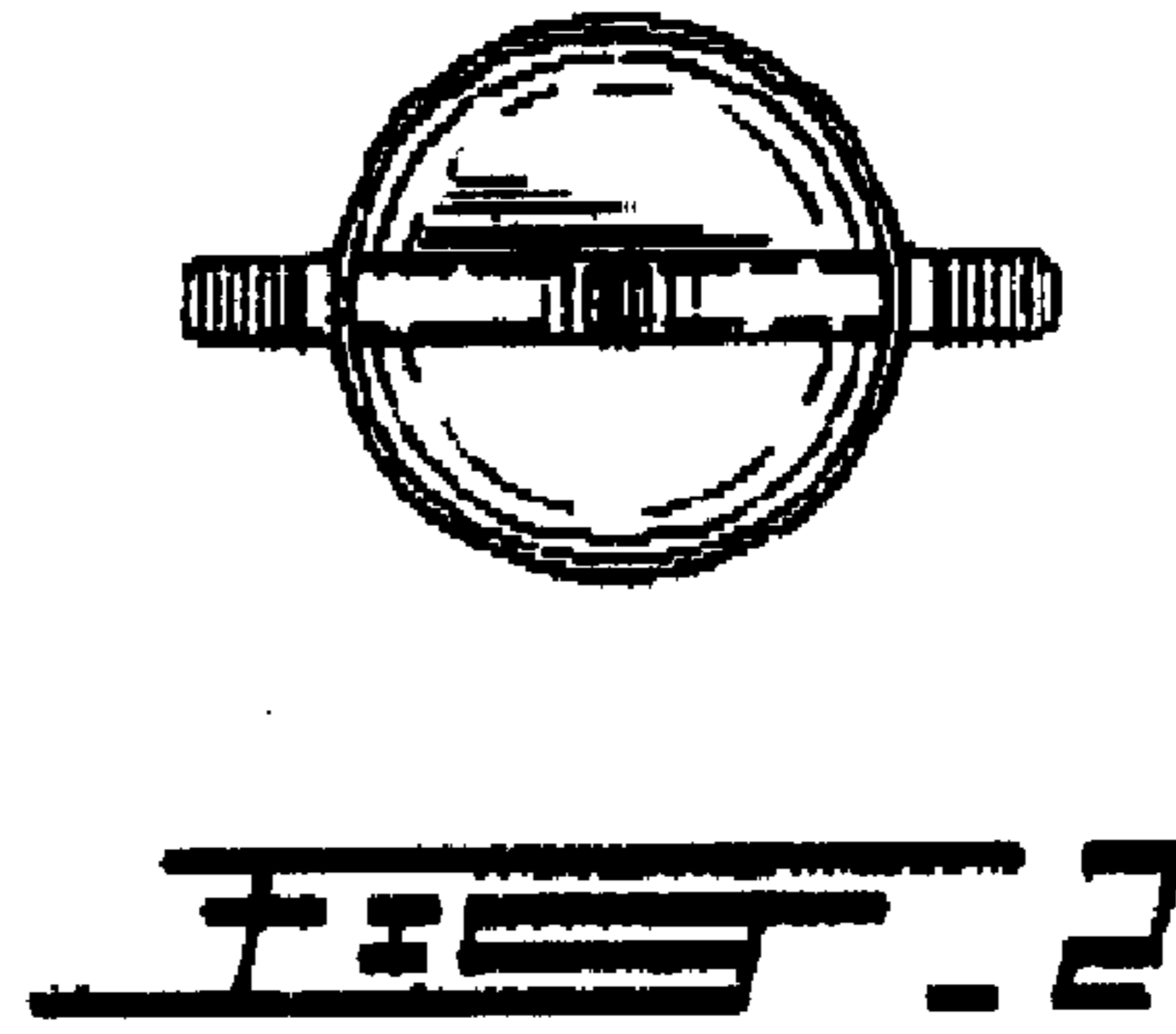
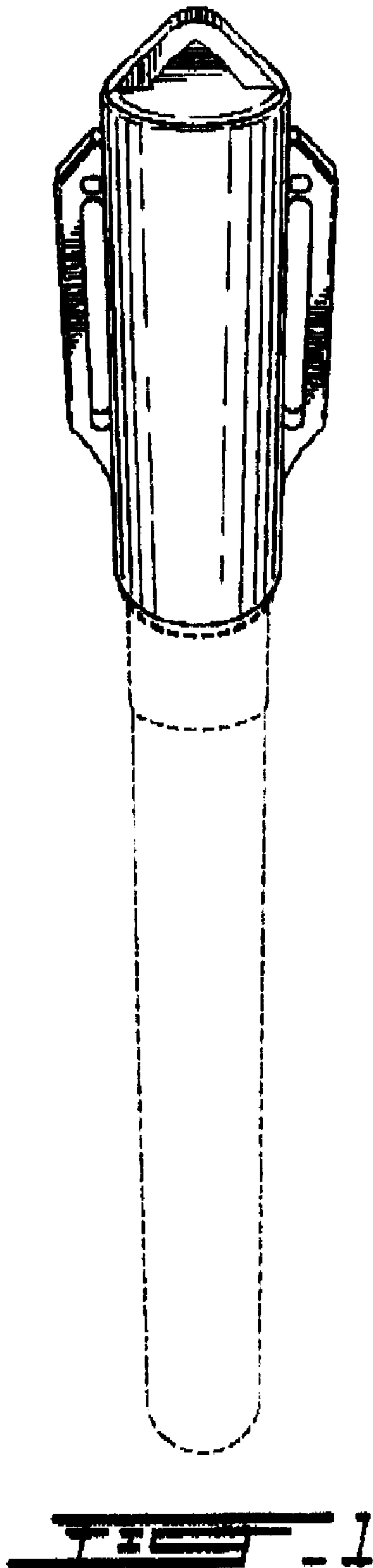
(56) **References Cited**

**U.S. PATENT DOCUMENTS**

D391,653 S \* 3/1998 Ford et al. .... D26/37

**1 Claim, 2 Drawing Sheets**





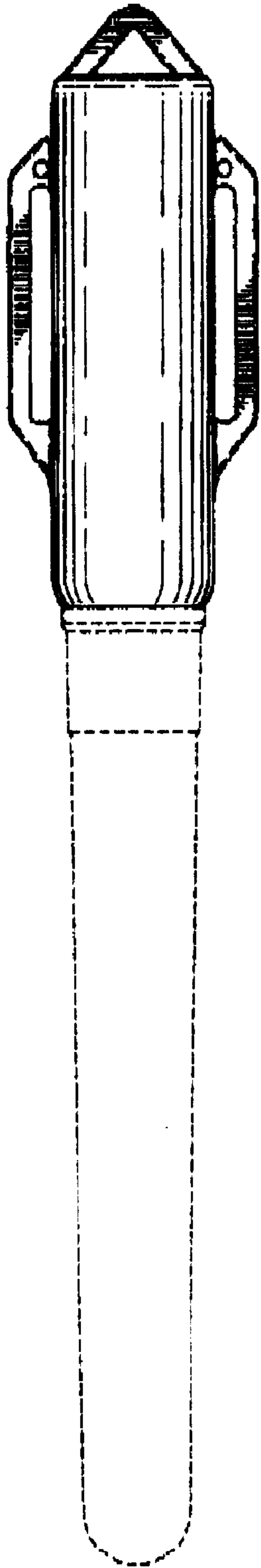


FIG. 4

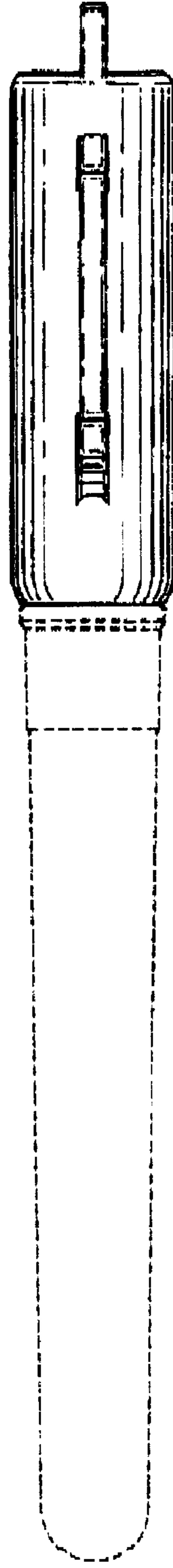


FIG. 5