



US00D528231S

(12) **United States Design Patent**  
**Ikeda**

(10) **Patent No.:** **US D528,231 S**

(45) **Date of Patent:** **\*\* Sep. 12, 2006**

(54) **FRONT COMBINATION LAMP FOR AN  
AUTOMOBILE**

D507,362 S \* 7/2005 Minami ..... D26/28  
D514,717 S \* 2/2006 Lin ..... D26/28  
D518,581 S \* 4/2006 Osawa ..... D26/28

(75) Inventor: **Jiro Ikeda**, Wako (JP)

\* cited by examiner

(73) Assignee: **Honda Motor Co., Ltd.**, Tokyo (JP)

*Primary Examiner*—Marcus A. Jackson

(\*\*) Term: **14 Years**

(74) *Attorney, Agent, or Firm*—Westerman, Hattori,  
Daniels & Adrian, LLP.

(21) Appl. No.: **29/234,340**

(57) **CLAIM**

(22) Filed: **Jul. 18, 2005**

The ornamental design for, a front combination lamp for an  
automobile, as shown and described.

(30) **Foreign Application Priority Data**

Jan. 19, 2005 (JP) ..... 2005-001196

**DESCRIPTION**

(51) **LOC (8) Cl.** ..... **26-06**

FIG. 1 is a front elevation view of a front combination lamp  
for an automobile, showing our new design;

(52) **U.S. Cl.** ..... **D26/28**

FIG. 2 is a top plan view thereof;

(58) **Field of Classification Search** ..... D26/28-36;  
362/459-468, 475-478, 485-487

FIG. 3 is a right side elevational view thereof;

See application file for complete search history.

FIG. 4 is left side elevation view thereof; and,

FIG. 5 is a perspective view thereof.

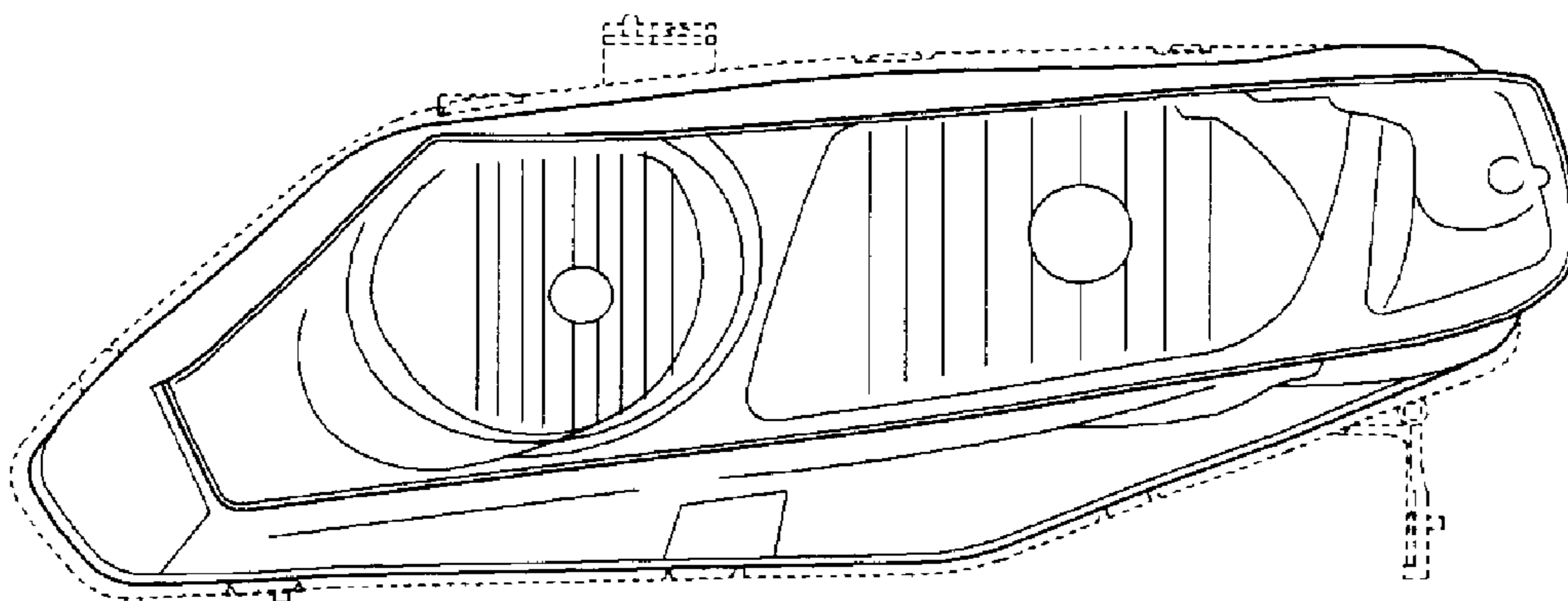
(56) **References Cited**

The broken in the drawings is illustrative purposes only and  
forms no part of the claimed design.

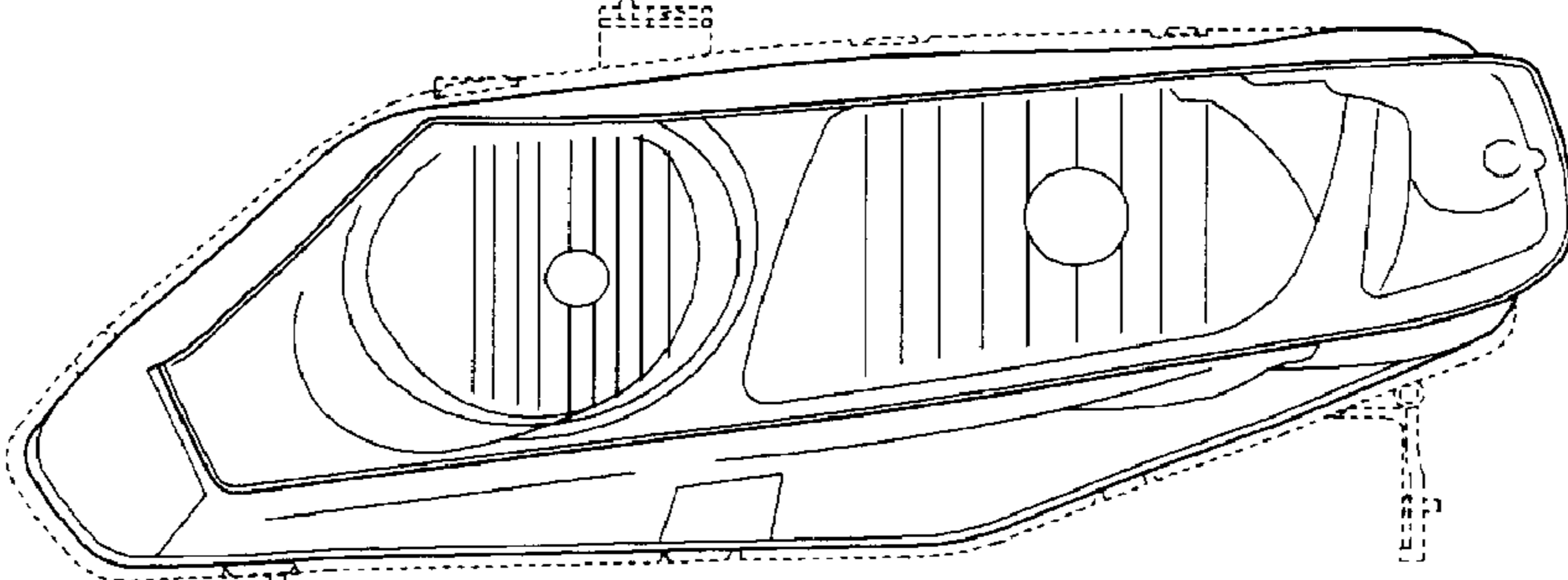
**U.S. PATENT DOCUMENTS**

D497,682 S \* 10/2004 Lin ..... D26/28

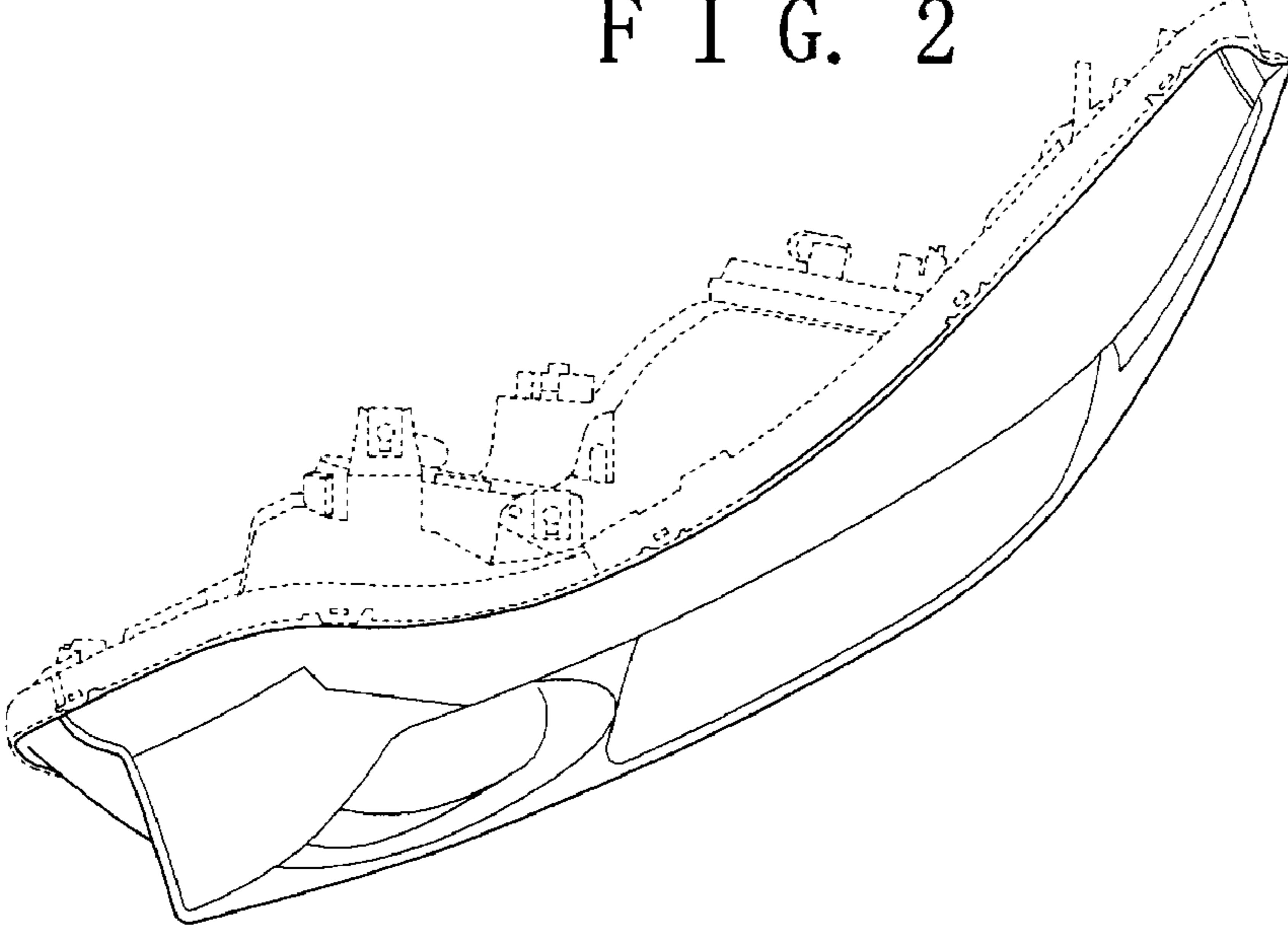
**1 Claim, 3 Drawing Sheets**



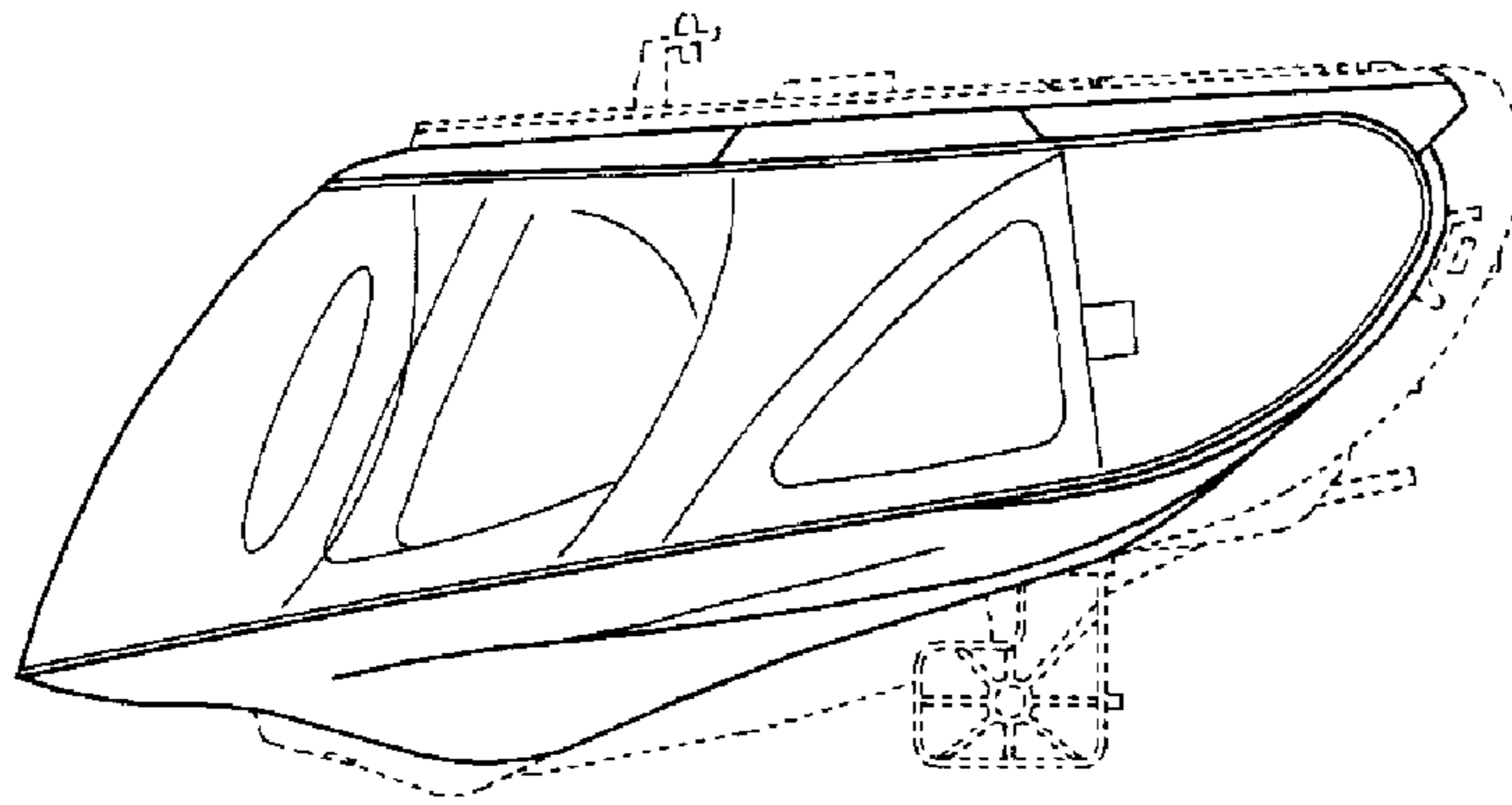
F I G. 1



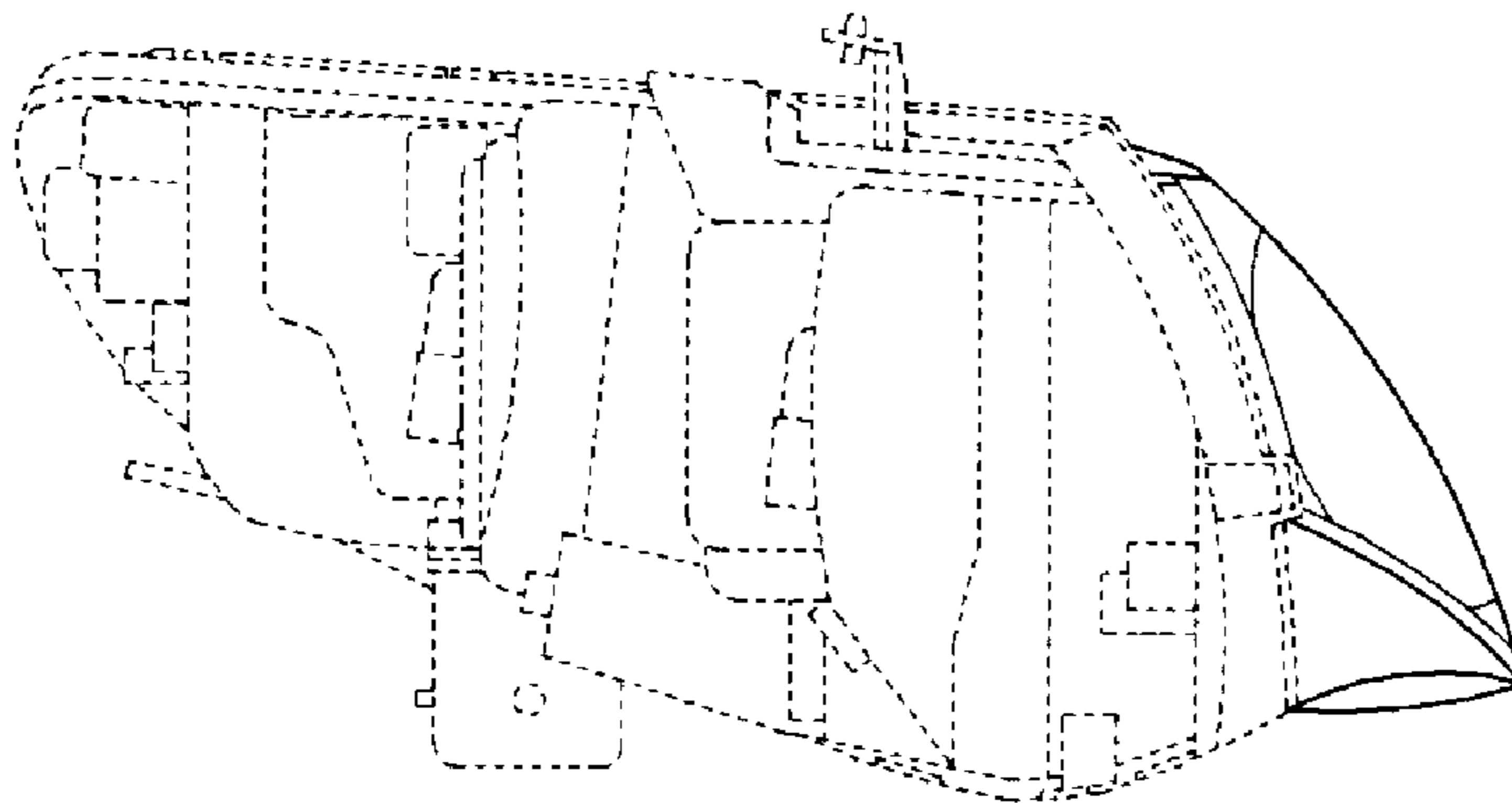
F I G. 2



F I G. 3



F I G. 4



F I G. 5

