

US00D528230S

(12) **United States Design Patent**
Nagano

(10) **Patent No.:** **US D528,230 S**

(45) **Date of Patent:** **** Sep. 12, 2006**

(54) **LAMP FOR A BICYCLE**

(75) Inventor: **Toshiyuki Nagano**, Izumisano (JP)

(73) Assignee: **Cateye Co., Ltd.**, Osaka (JP)

(**) Term: **14 Years**

(21) Appl. No.: **29/234,232**

(22) Filed: **Jul. 15, 2005**

(30) **Foreign Application Priority Data**

Jun. 14, 2005 (JP) 2005-017189

(51) **LOC (8) Cl.** **26-06**

(52) **U.S. Cl.** **D26/28**

(58) **Field of Classification Search** D26/28-36;
362/459-468, 475-478, 485-487
See application file for complete search history.

(56) **References Cited**

U.S. PATENT DOCUMENTS

D446,466 S * 8/2001 Chiu D10/114

D497,444 S * 10/2004 Okuda et al. D26/28

D498,550 S * 11/2004 Chen D26/28

D514,239 S * 1/2006 Okuda D26/28

* cited by examiner

Primary Examiner—Marcus A. Jackson

(74) *Attorney, Agent, or Firm*—Olson & Hierl, Ltd.

(57) **CLAIM**

The ornamental design for a lamp for a bicycle, as shown.

DESCRIPTION

FIG. 1 is a front right perspective view of a lamp for a bicycle showing my new design;

FIG. 2 is a front left perspective view thereof;

FIG. 3 is a front view thereof;

FIG. 4 is a rear view thereof;

FIG. 5 is a top plan view thereof;

FIG. 6 is a bottom plan view thereof;

FIG. 7 is a left side view thereof; and,

FIG. 8 is a right side view thereof.

1 Claim, 4 Drawing Sheets

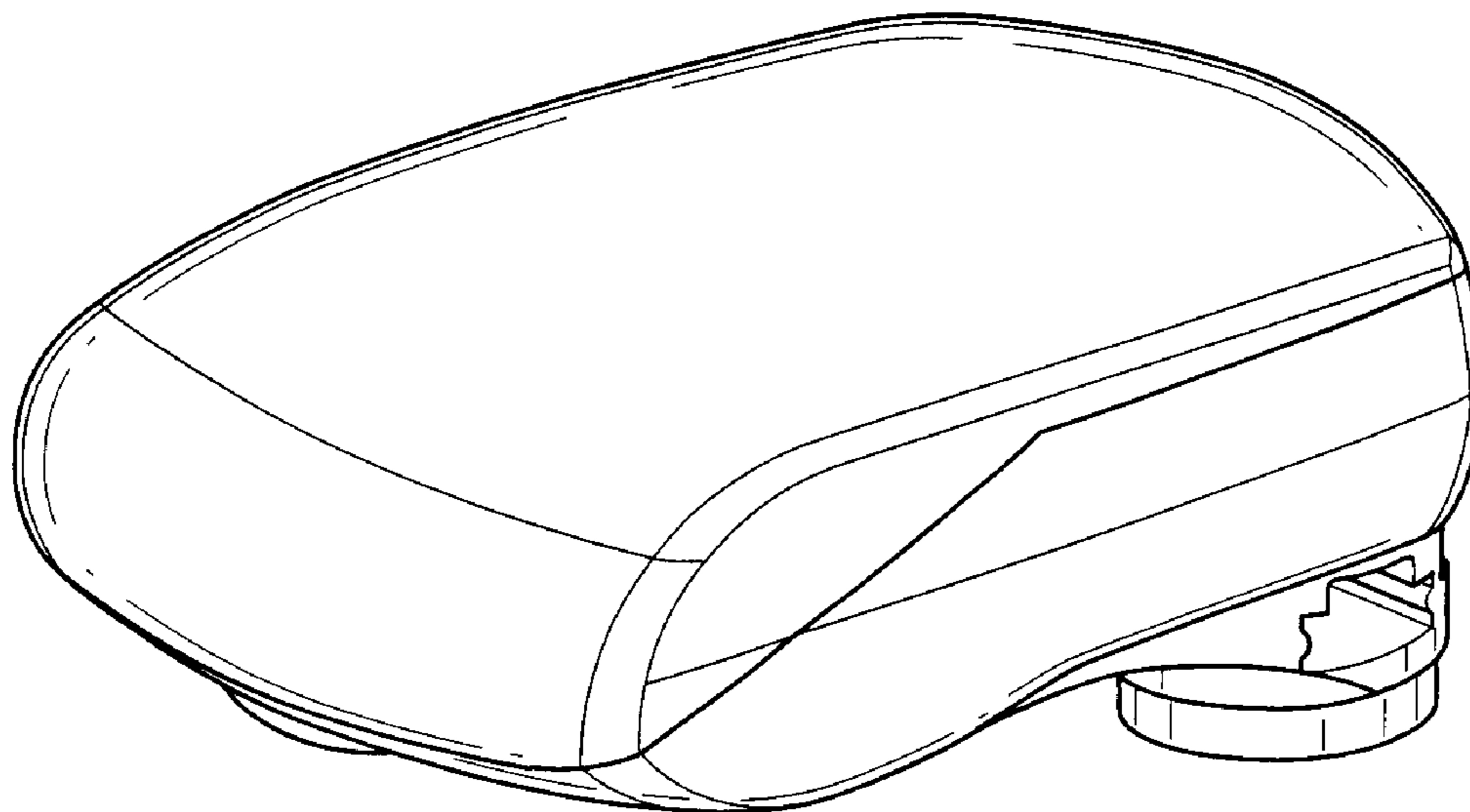


FIG. 1

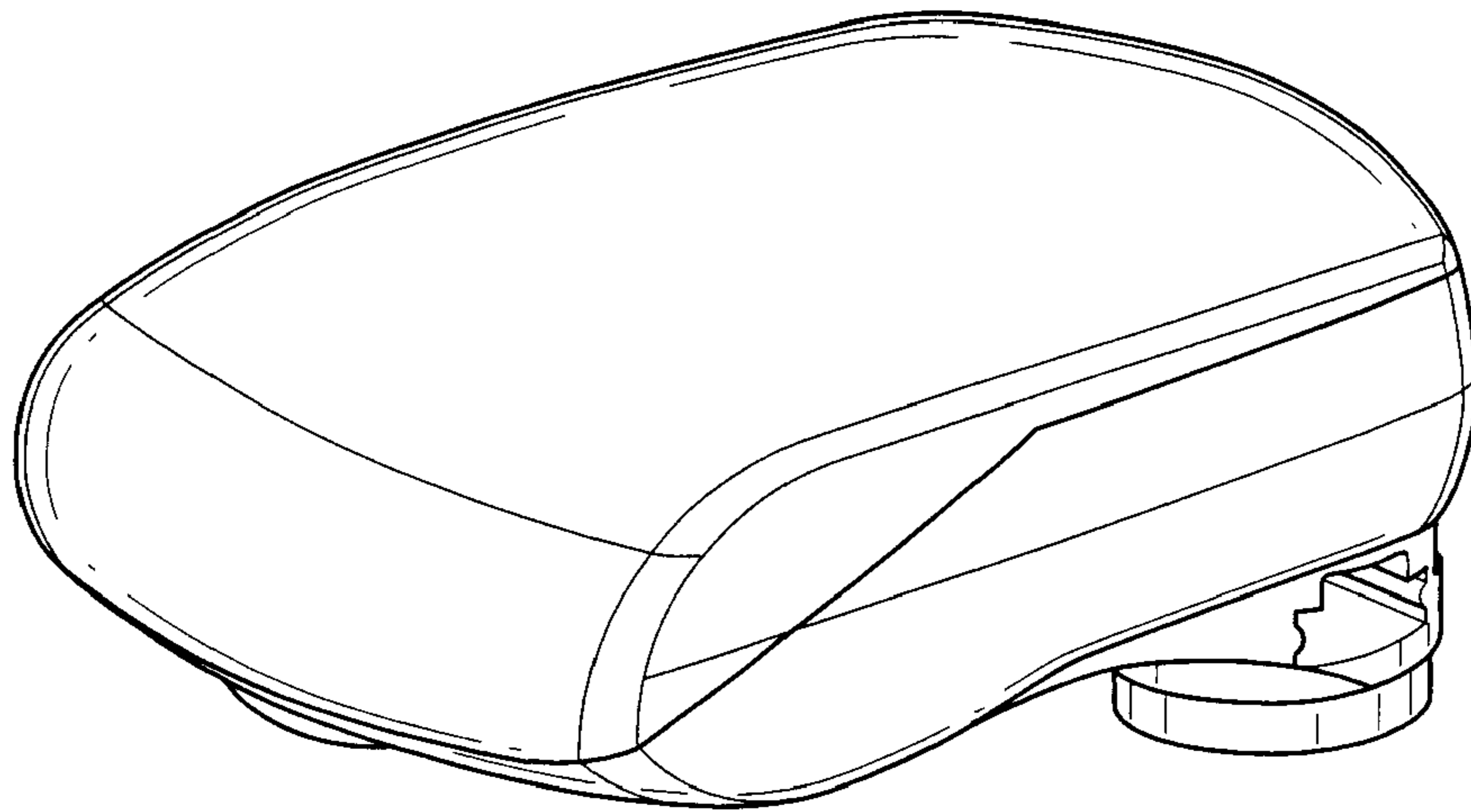


FIG. 2

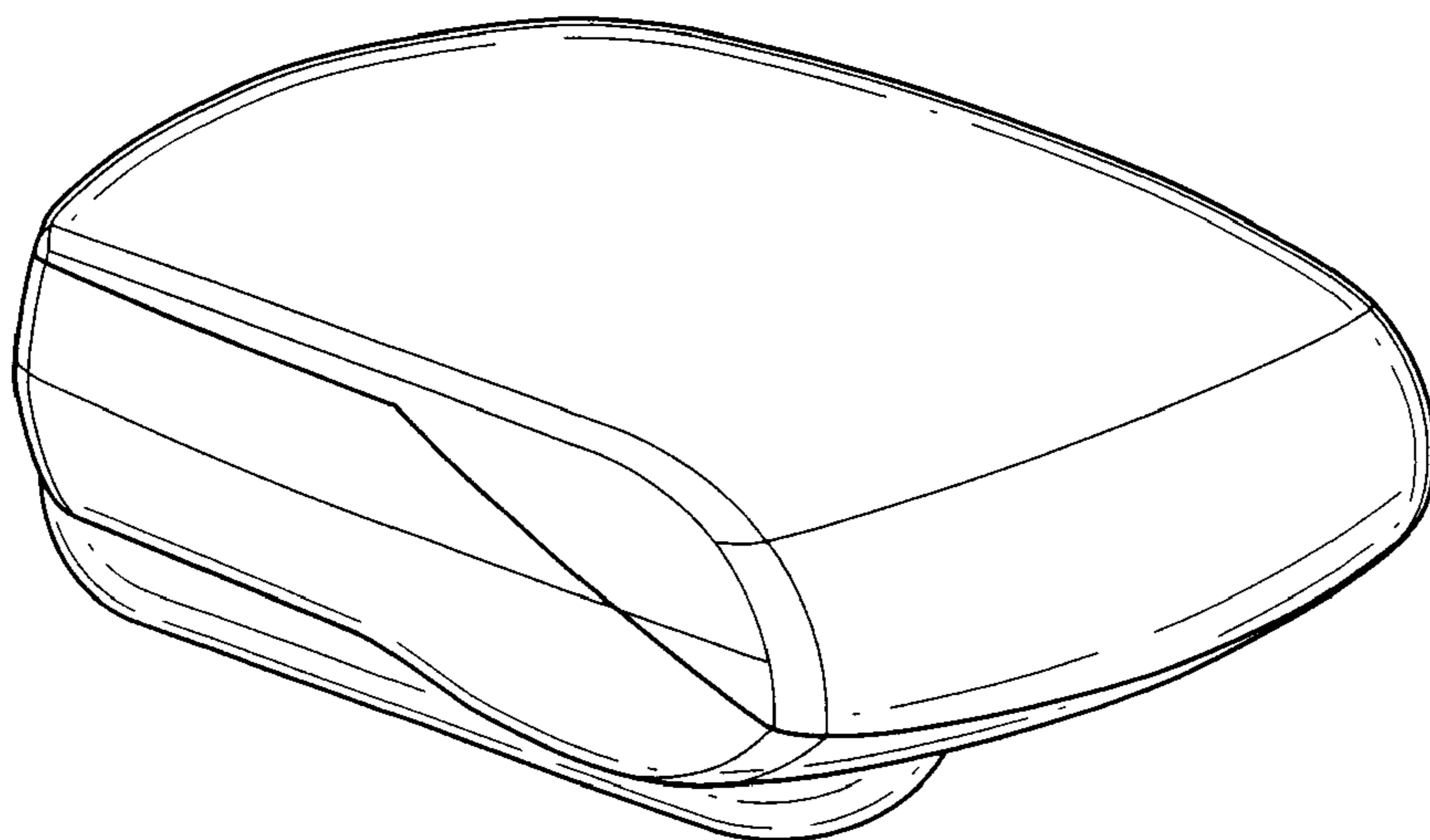


FIG. 3

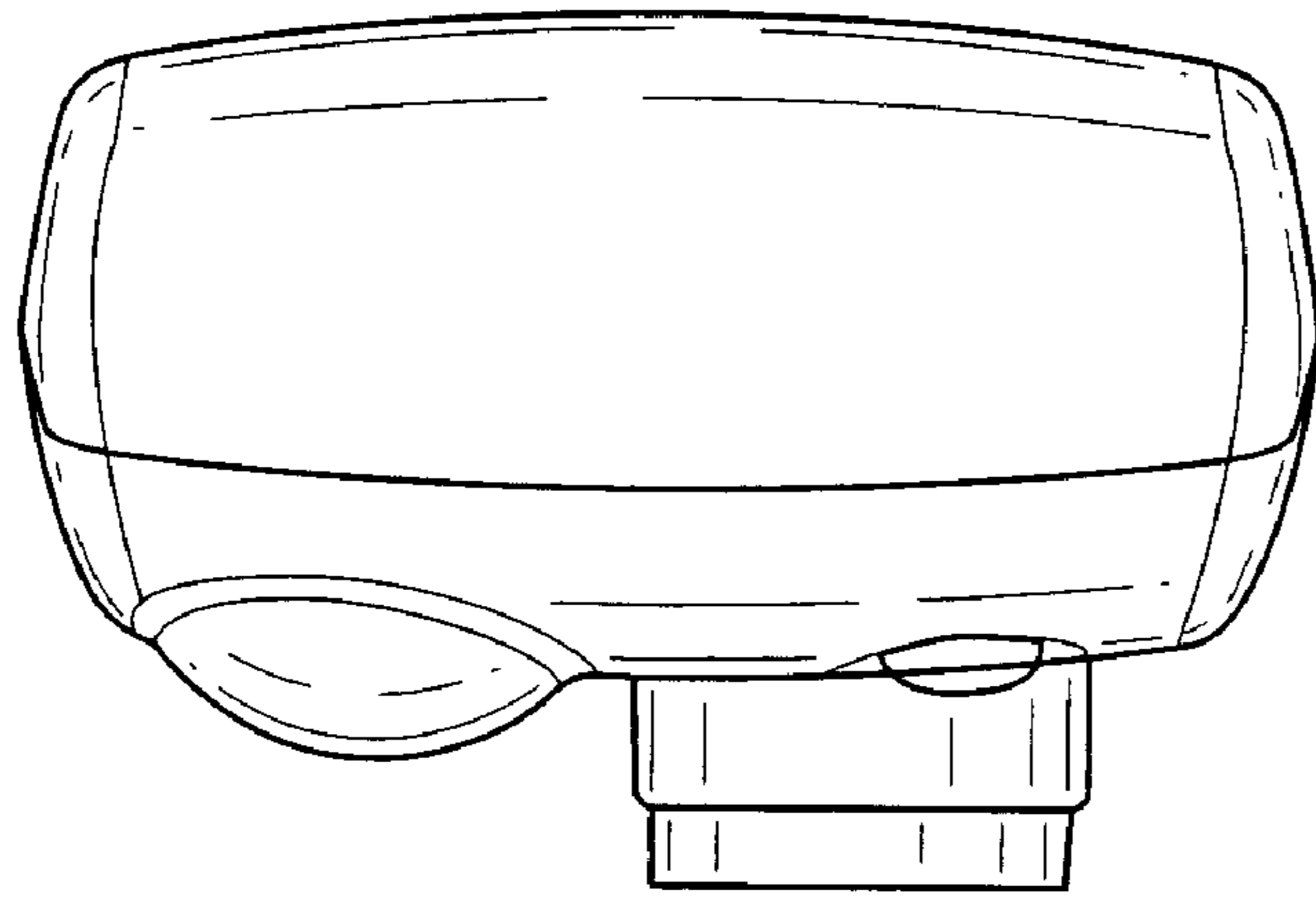


FIG. 4

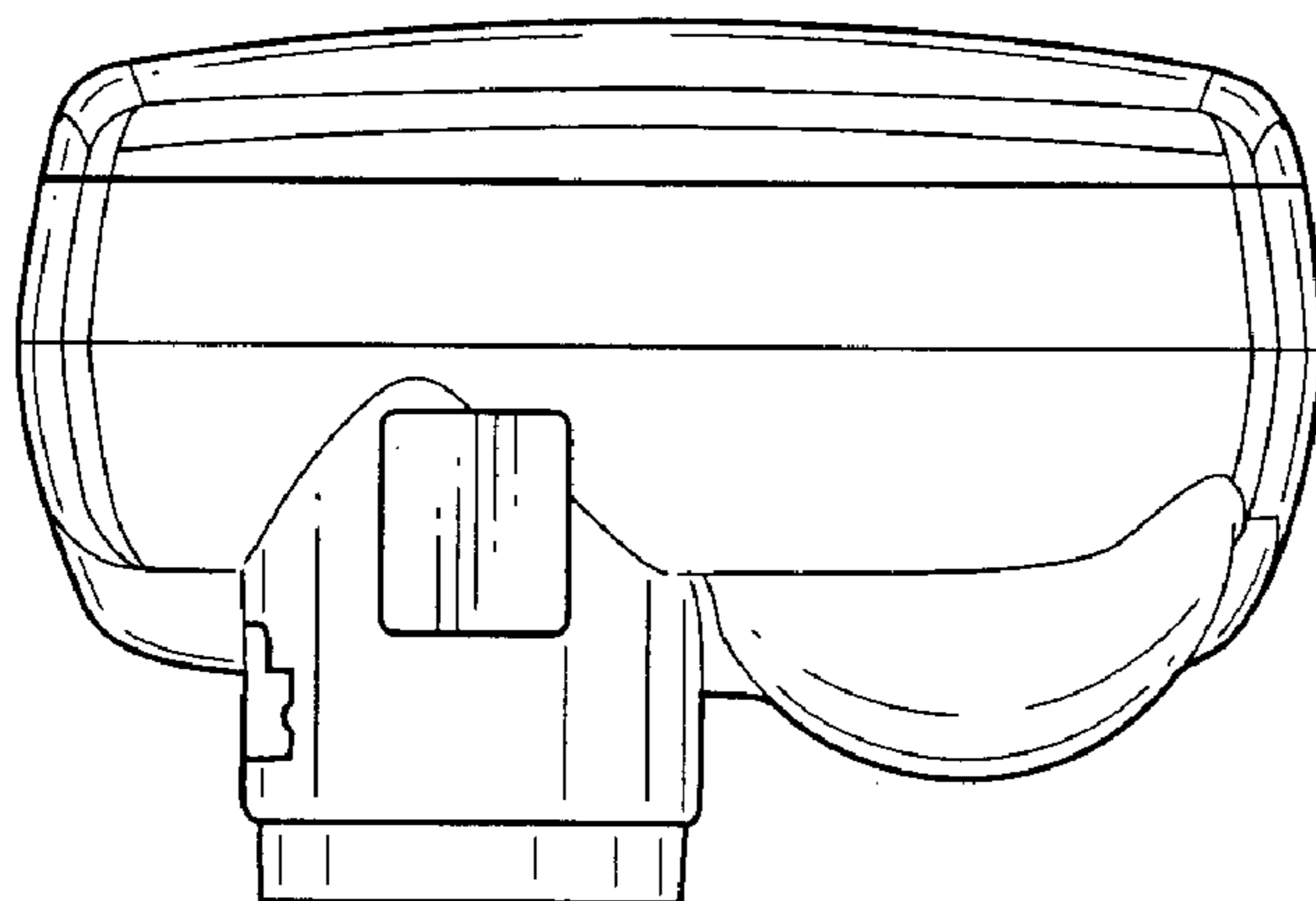


FIG. 5

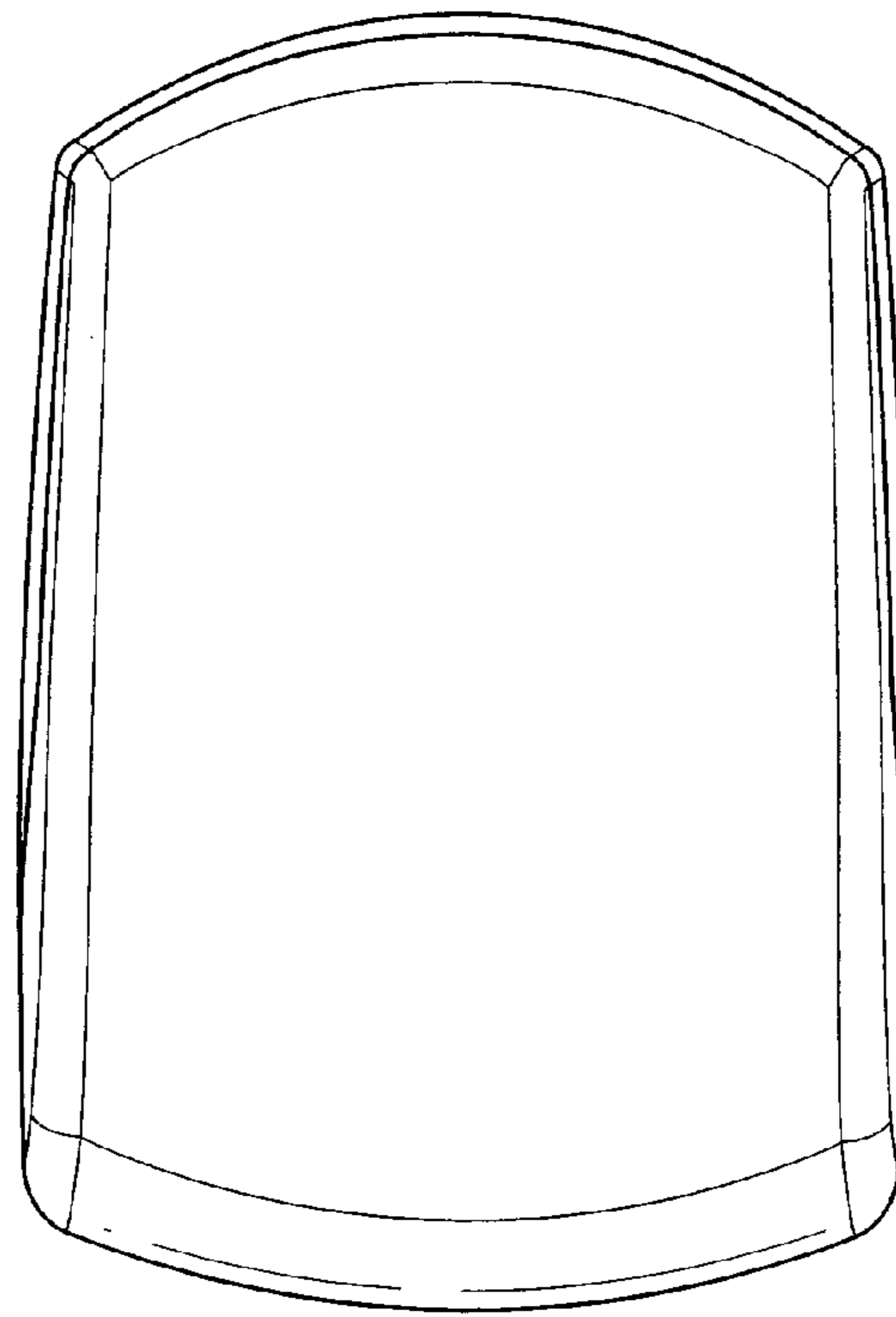


FIG. 6

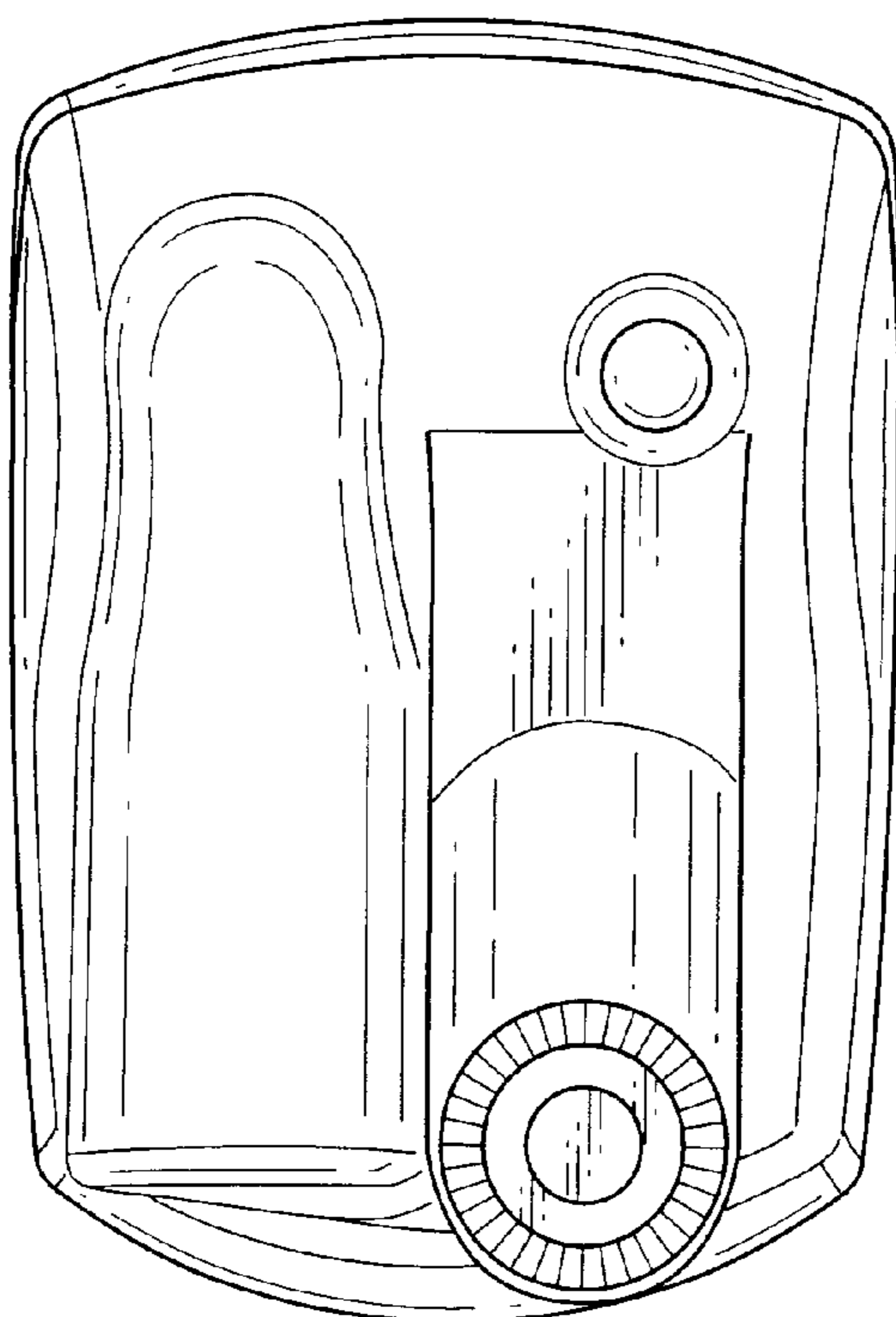


FIG. 7

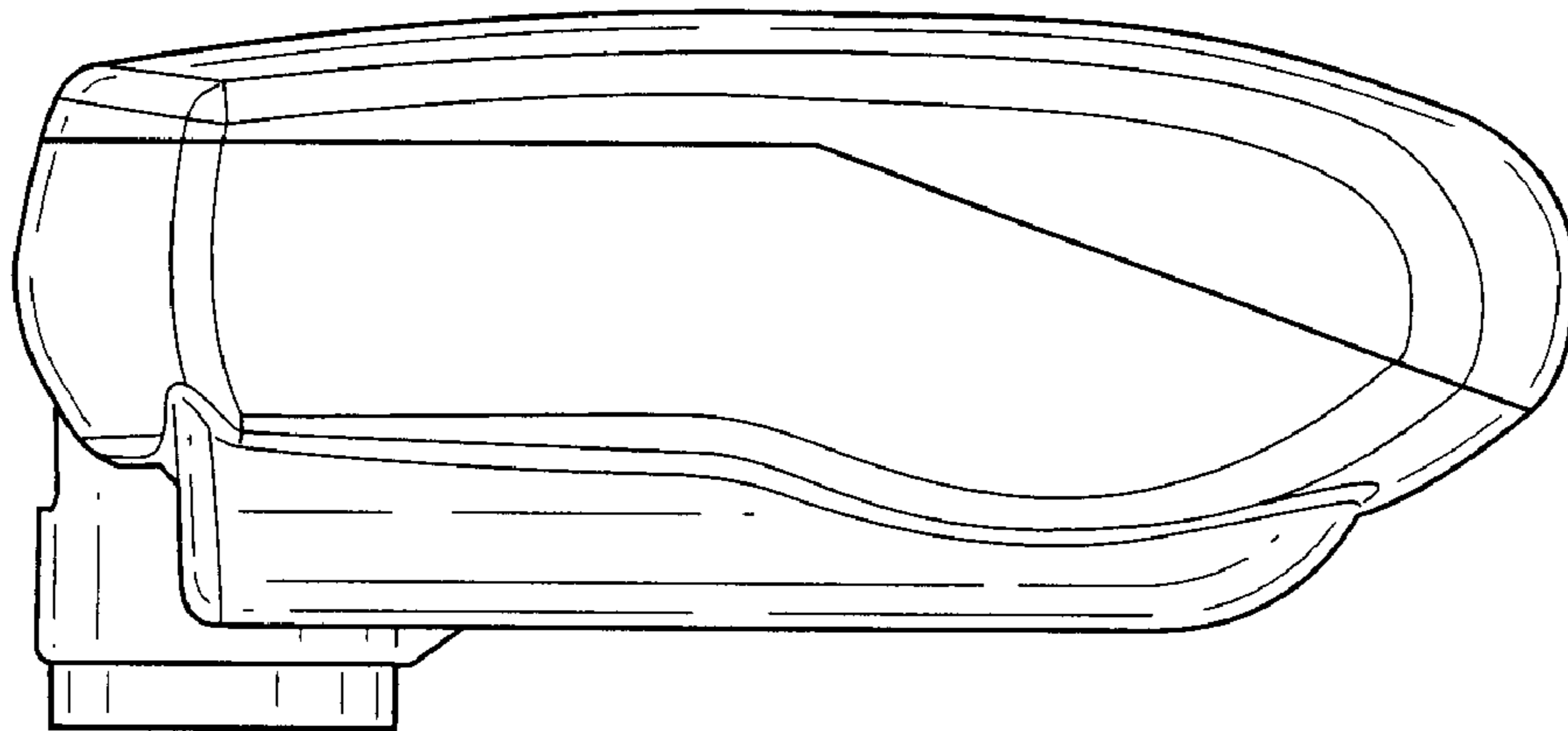


FIG. 8

