



US00D528227S

(12) **United States Design Patent**
Chou et al.

(10) **Patent No.:** **US D528,227 S**

(45) **Date of Patent:** **** Sep. 12, 2006**

(54) **LIGHT BULB**

(75) Inventors: **Der Jeou Chou**, Mesa, AZ (US);
Daniel Nelson, Cave Creek, AZ (US);
Thomas Kulaga, Chandler, AZ (US)

(73) Assignee: **Enertron, Inc.**, Chandler, AZ (US)

(**) Term: **14 Years**

(21) Appl. No.: **29/201,970**

(22) Filed: **Mar. 24, 2004**

(51) **LOC (8) Cl.** **26-04**

(52) **U.S. Cl.** **D26/2**

(58) **Field of Classification Search** D26/1-4;
313/313, 315, 317, 318; 315/52, 53, 56, 57,
315/58

See application file for complete search history.

(56) **References Cited**

U.S. PATENT DOCUMENTS

D337,389 S * 7/1993 Levin et al. D26/2

D349,353 S * 8/1994 Gallant D26/2
D379,538 S * 5/1997 Gallant D26/2
D390,672 S * 2/1998 Seid D26/2
D498,310 S * 11/2004 Gagnon et al. D26/2

* cited by examiner

Primary Examiner—Marcus A. Jackson

(74) *Attorney, Agent, or Firm*—Quarles & Brady Streich
Lang LLP

(57) **CLAIM**

The ornamental design for the light bulb, as shown.

DESCRIPTION

FIG. 1 is a side view of a light bulb showing an exemplary embodiment of our new design;

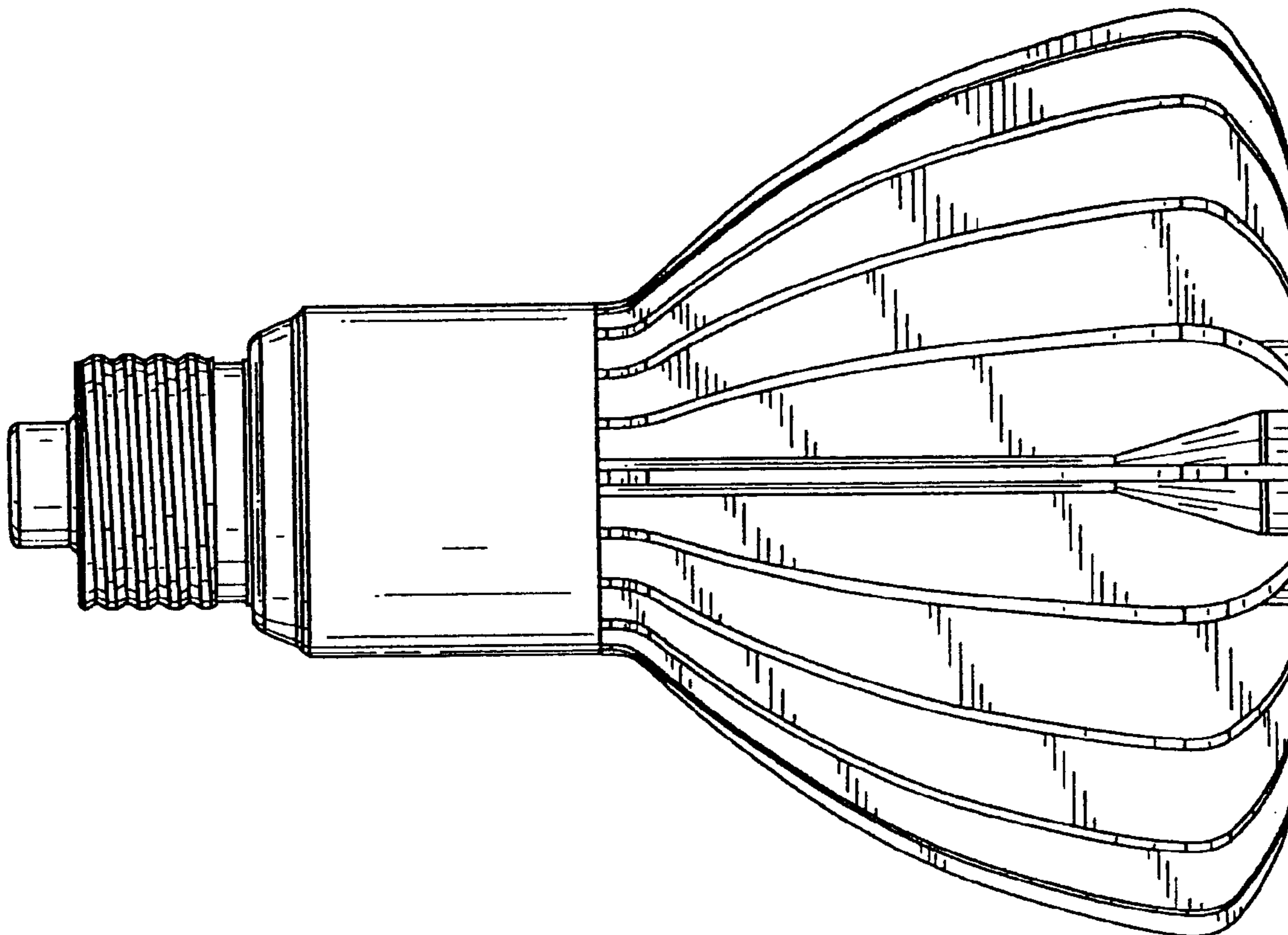
FIG. 2 is a perspective side view of the light bulb of FIG. 1;

FIG. 3 is a perspective side view of the light bulb of FIG. 2;

FIG. 4 is a bottom view of the light bulb of FIG. 1; and,

FIG. 5 is a top view of the light bulb of FIG. 1.

1 Claim, 5 Drawing Sheets



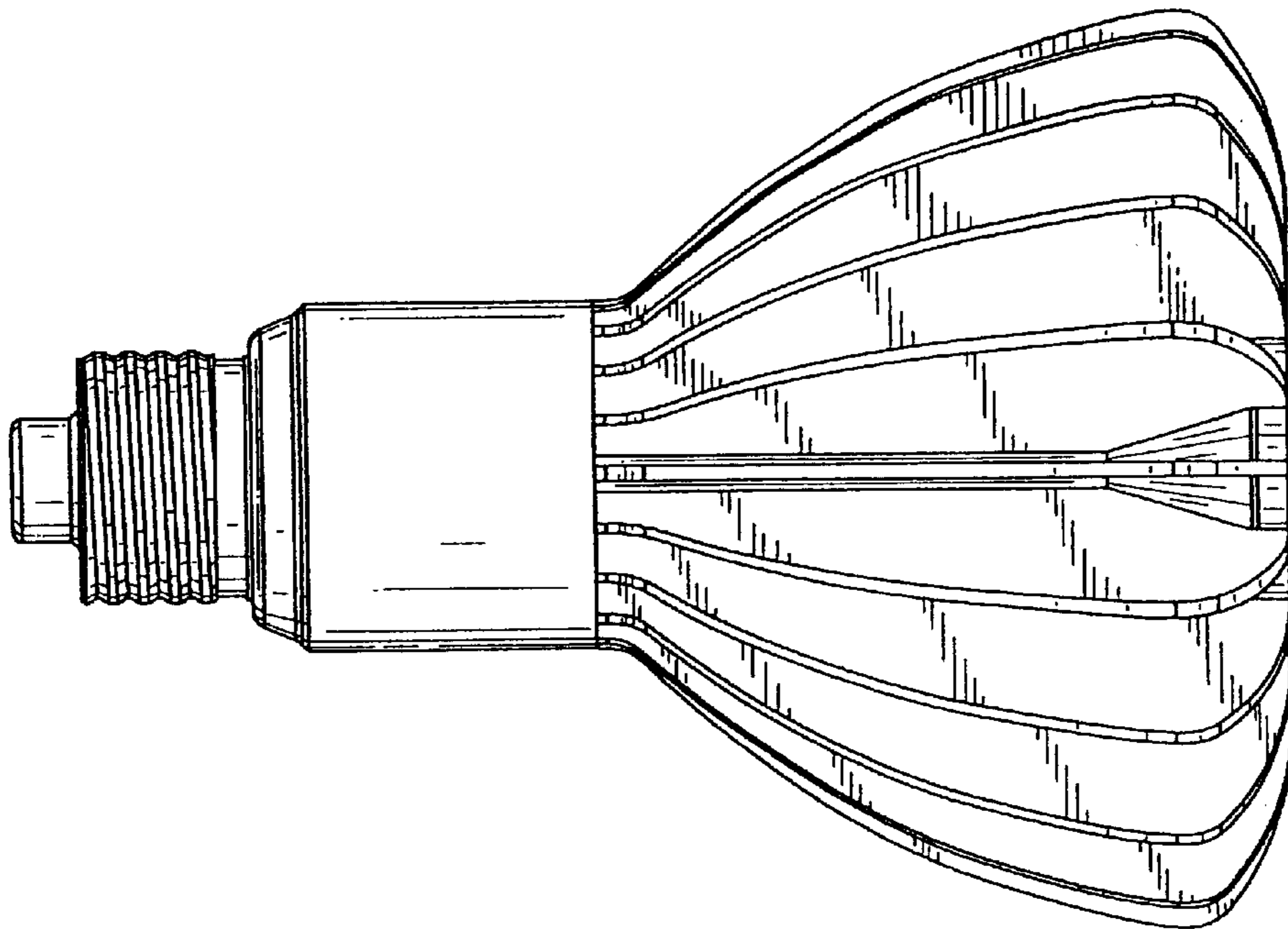


FIG.1

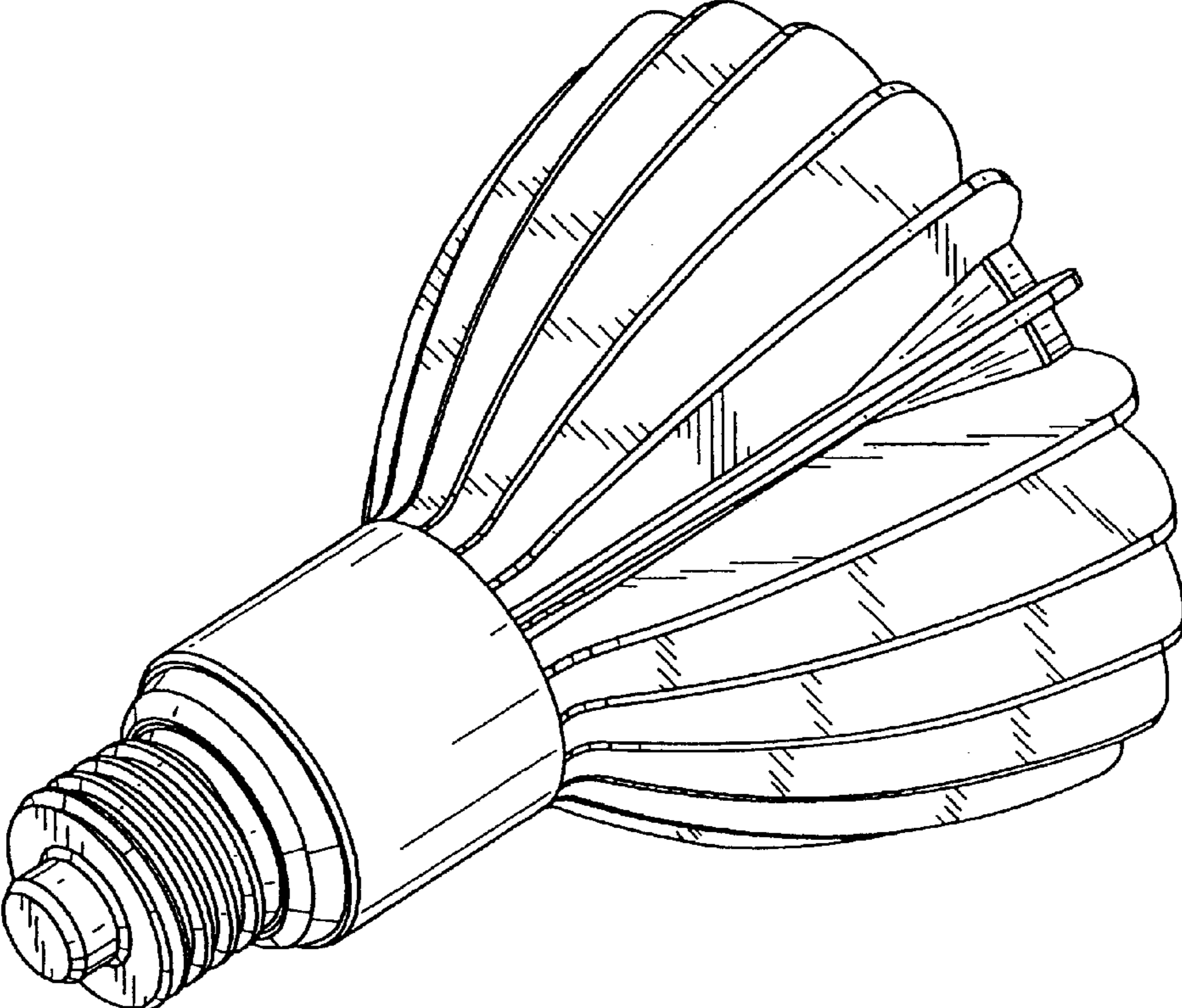


FIG.2

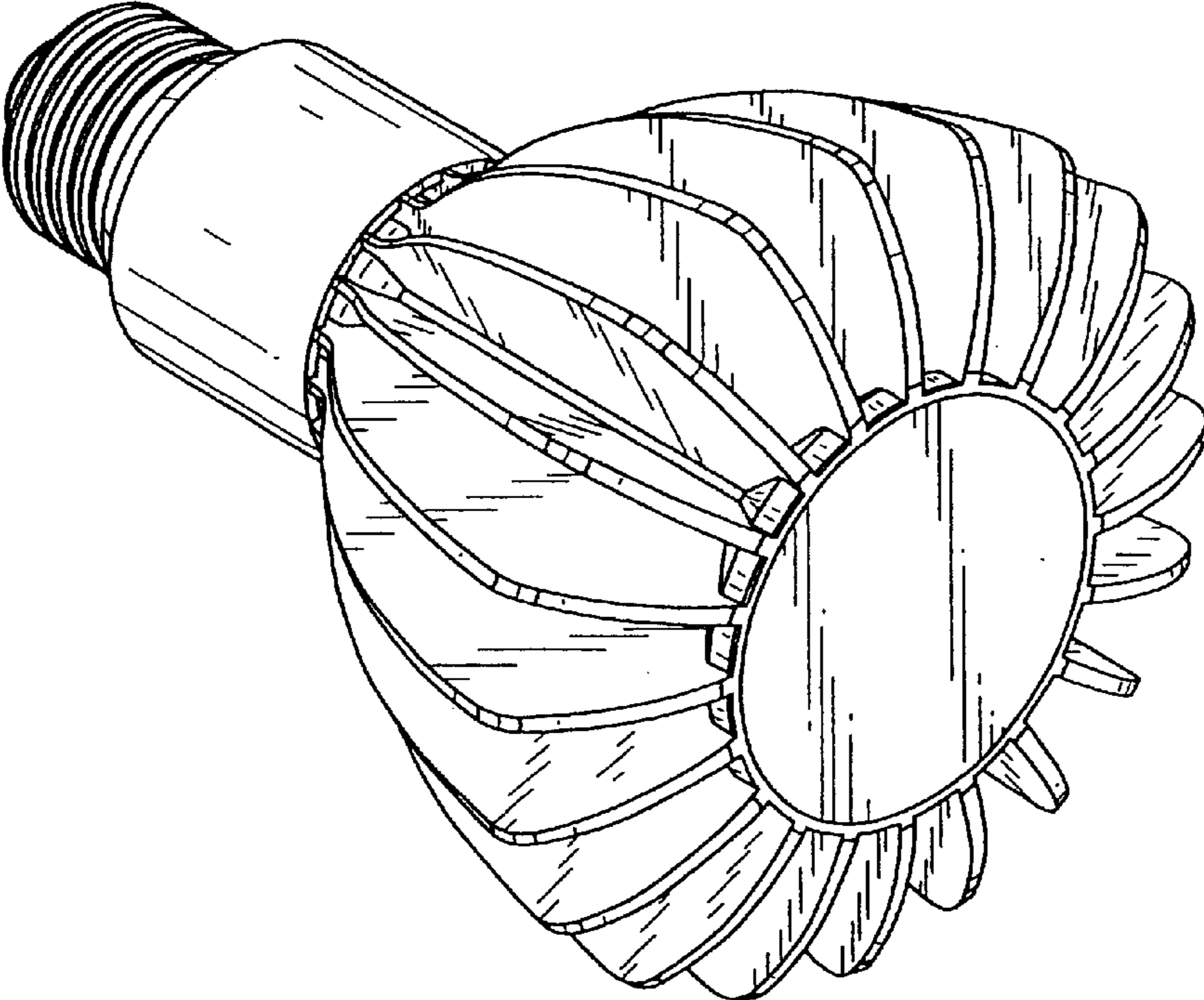


FIG.3

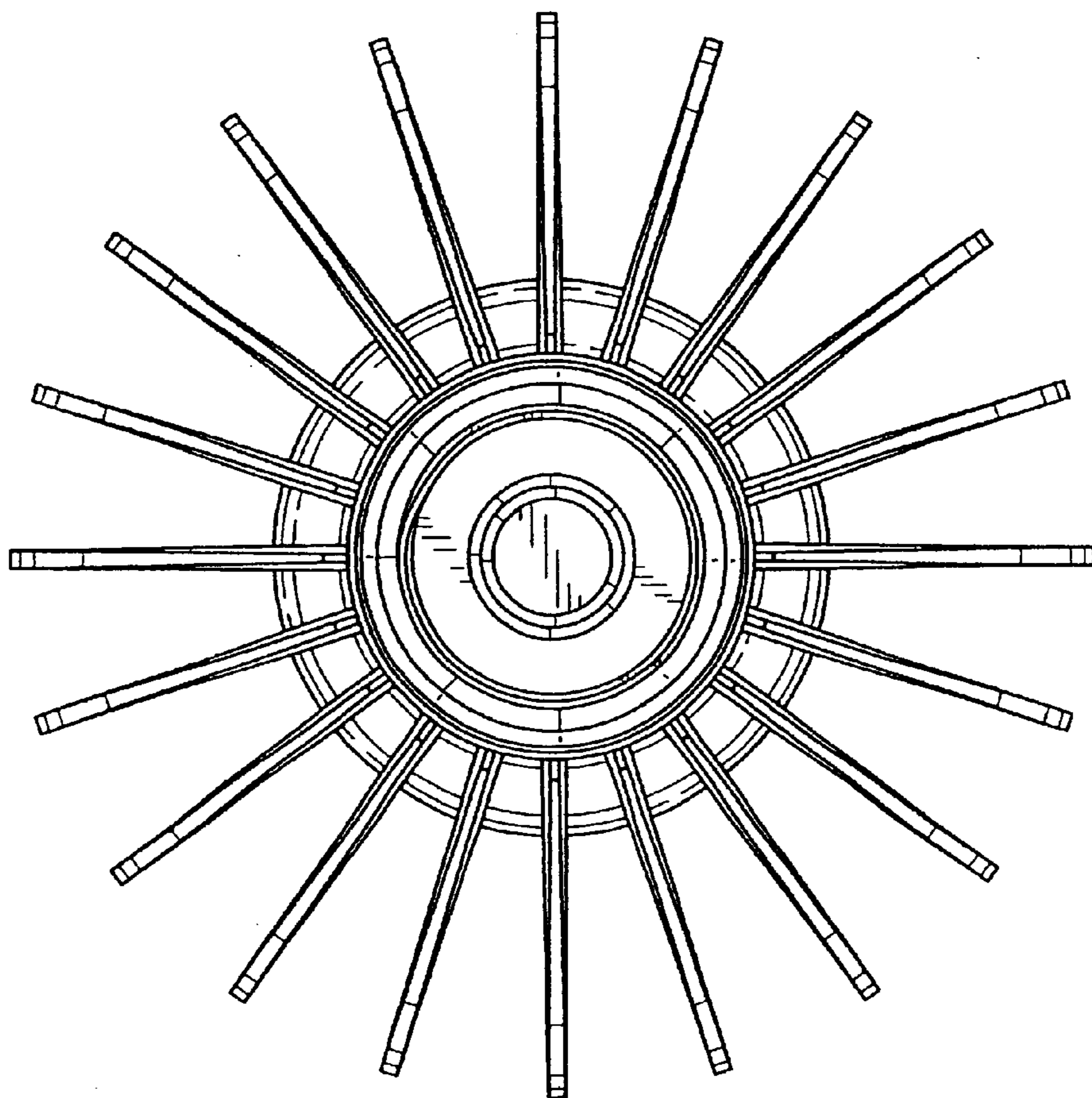


FIG. 4

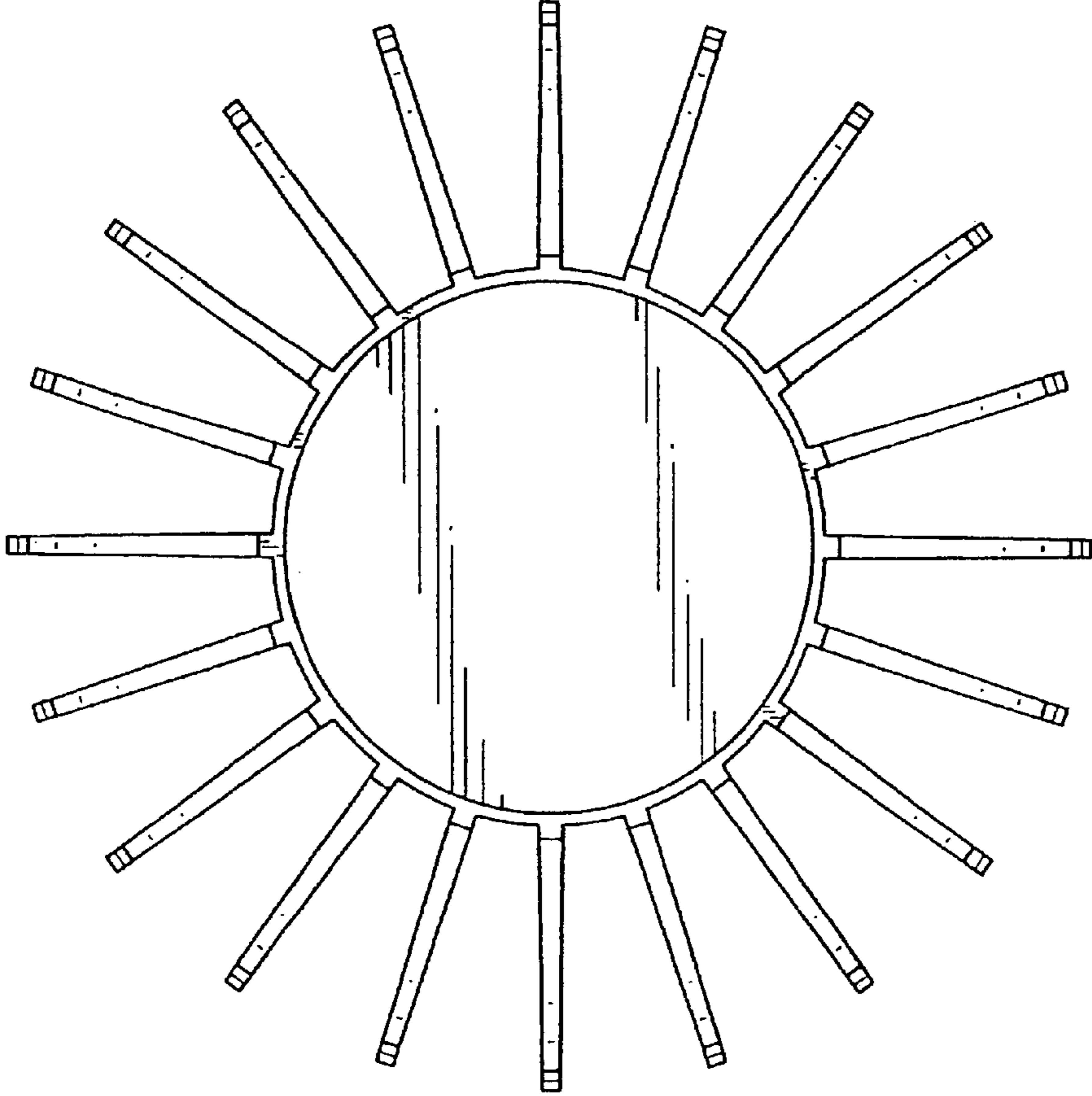


FIG.5