



US00D528226S

(12) **United States Design Patent**  
**Nagai et al.**

(10) **Patent No.:** **US D528,226 S**  
(45) **Date of Patent:** **\*\* Sep. 12, 2006**

(54) **LED MODULE**

**FOREIGN PATENT DOCUMENTS**

(75) Inventors: **Hideo Nagai**, Takatsuki (JP); **Yuji Omata**, Toyonaka (JP)

JP D1183708 9/2003

\* cited by examiner

(73) Assignee: **Matsushita Electric Industrial Co., Ltd.**, Osaka (JP)

*Primary Examiner*—Marcus A. Jackson

(74) *Attorney, Agent, or Firm*—Brinks Hofer Gilson & Lione

(\*\*) Term: **14 Years**

(57) **CLAIM**

(21) Appl. No.: **29/235,063**

We claim the ornamental design for an LED module, as shown and described.

(22) Filed: **Jul. 27, 2005**

(30) **Foreign Application Priority Data**

**DESCRIPTION**

Jan. 28, 2005 (JP) ..... 2005-002260

(51) **LOC (8) Cl.** ..... **26-04**

(52) **U.S. Cl.** ..... **D26/1**

(58) **Field of Classification Search** ..... D26/1-4;  
340/521, 540, 541, 545, 555, 571, 572, 573,  
340/628-630

FIG. 1 is a top perspective view of an LED module of the present invention;

FIG. 2 is a left side view thereof, wherein the right side view is a mirror image thereof;

FIG. 3 is a top view thereof, wherein the bottom view is a mirror image thereof;

FIG. 4 is a front view thereof; and,

FIG. 5 is a rear view thereof.

See application file for complete search history.

The ornamental design which is claimed is shown in solid lines in the drawings. Any broken lines in the drawings are for illustrative purposes only and form no part of the claimed design.

(56) **References Cited**

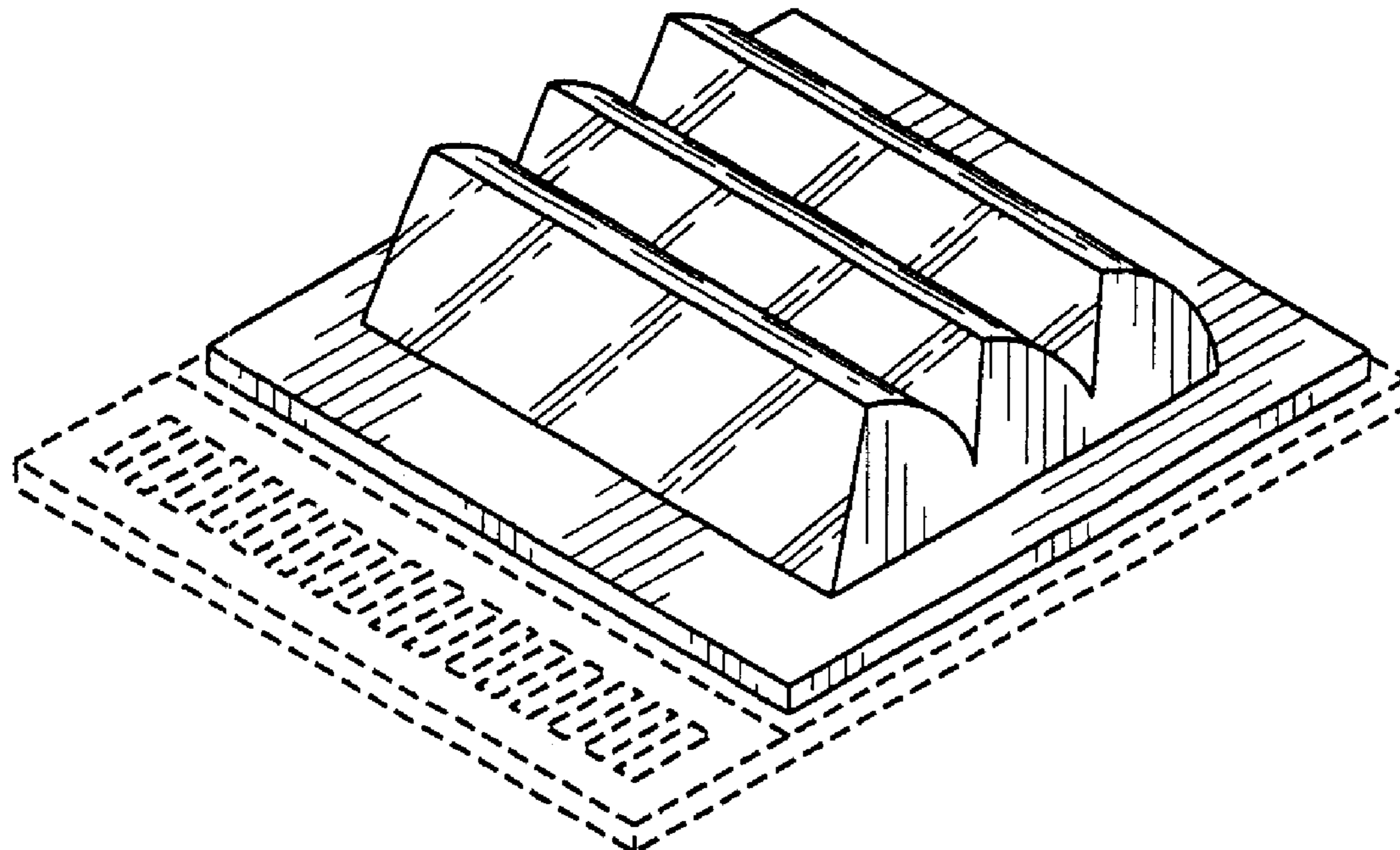
**U.S. PATENT DOCUMENTS**

D437,798 S \* 2/2001 Kiba et al. .... D10/104

D508,574 S \* 8/2005 Janssen ..... D26/1

D513,599 S \* 1/2006 Coward ..... D10/120

**1 Claim, 1 Drawing Sheet**



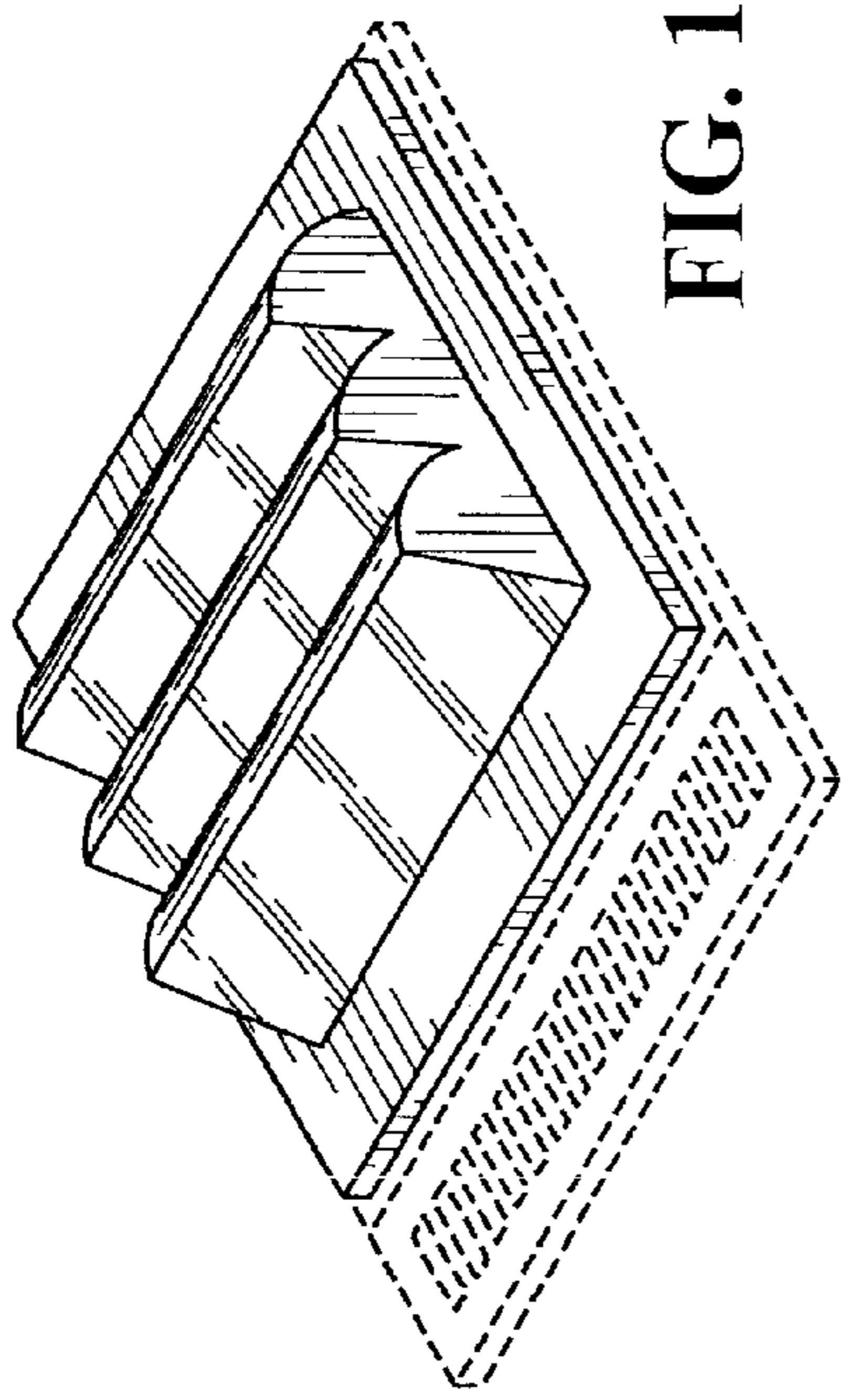


FIG. 1

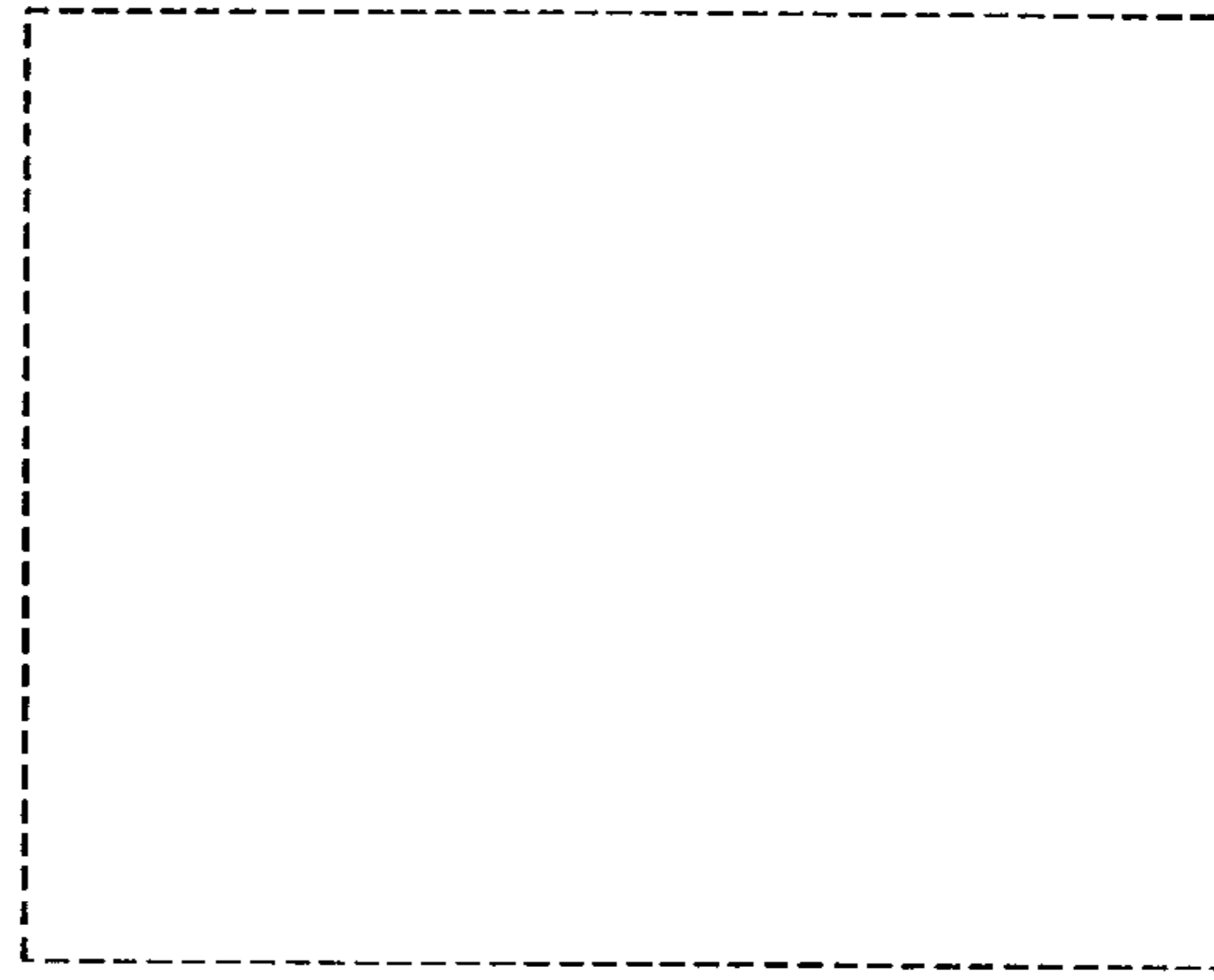


FIG. 5

FIG. 3

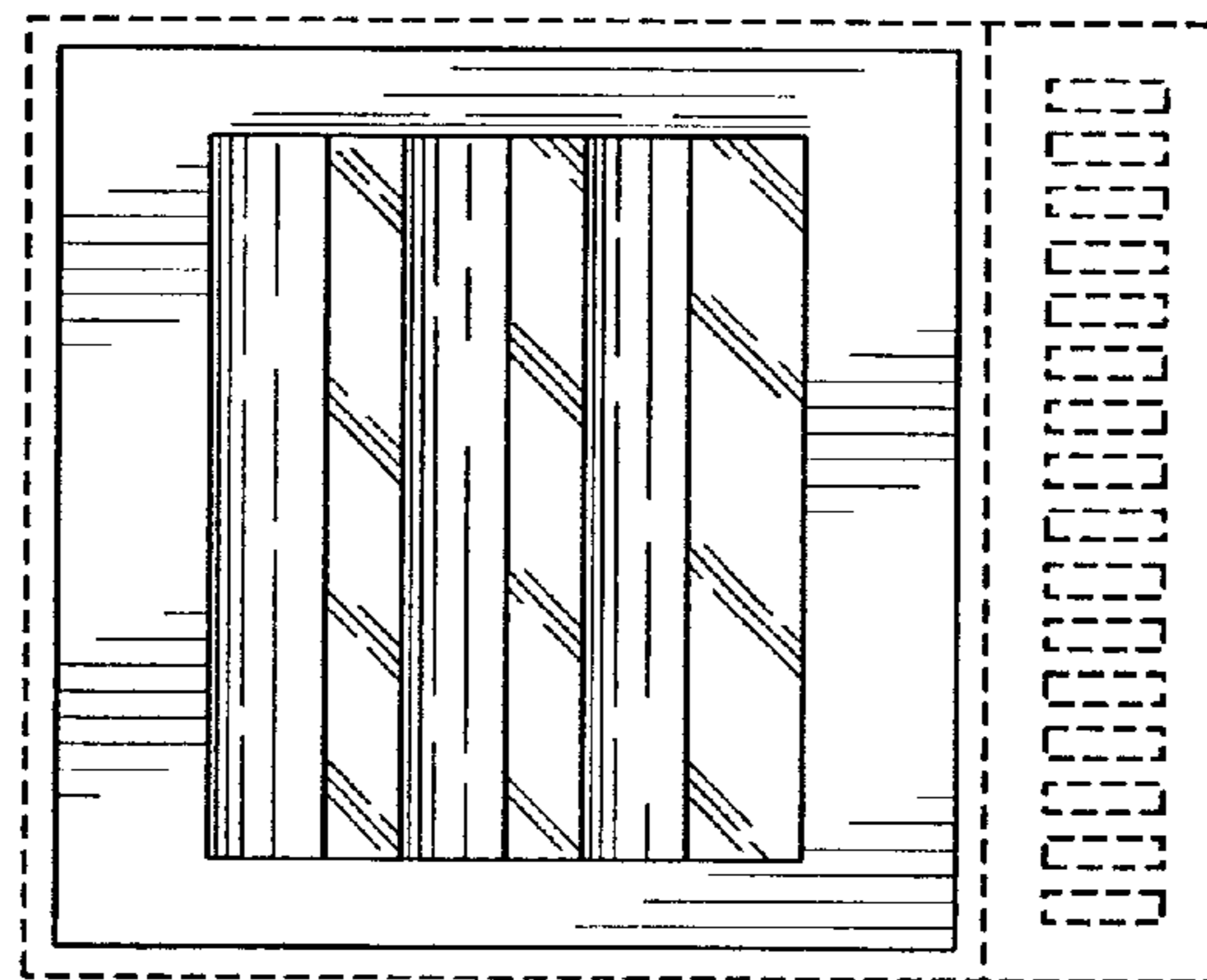
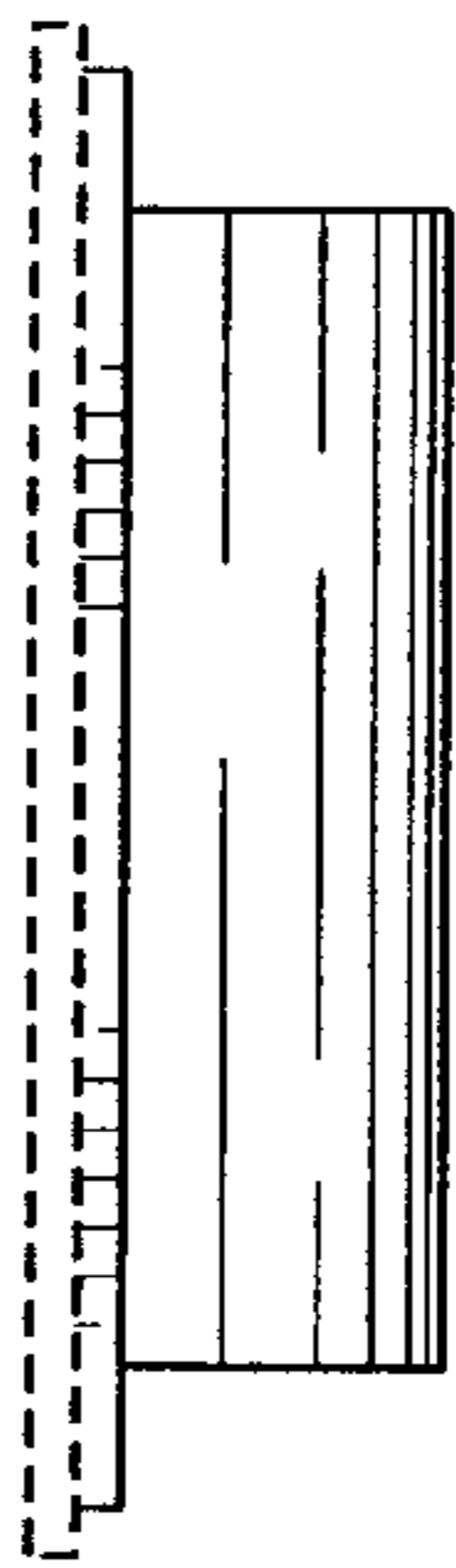


FIG. 4

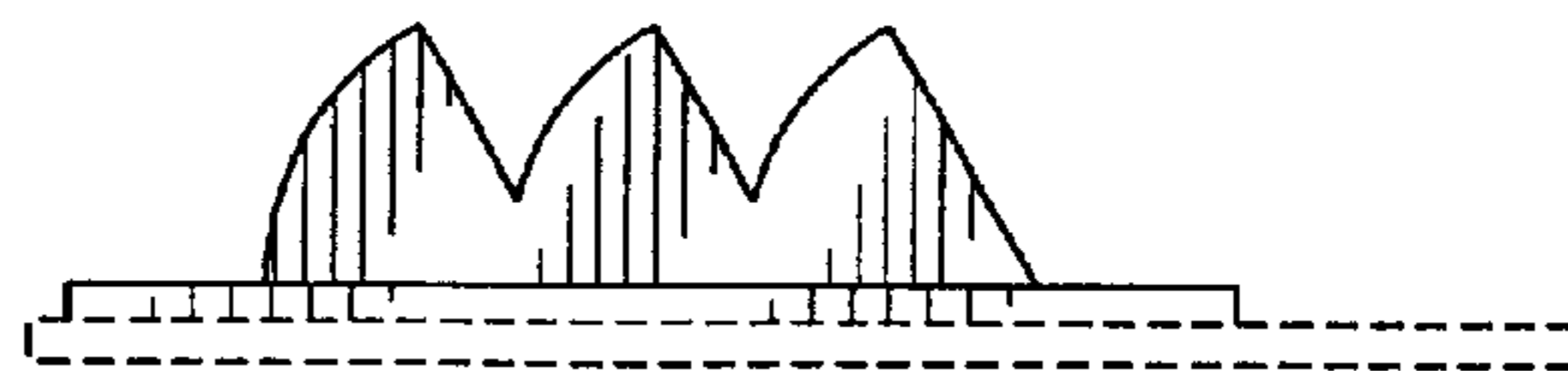


FIG. 2