



US00D528223S

(12) **United States Design Patent**  
**Jansson**

(10) **Patent No.:** **US D528,223 S**

(45) **Date of Patent:** **\*\* \*Sep. 12, 2006**

(54) **RETAINING WALL BLOCK**

(76) Inventor: **Jan Erik Jansson**, 7974 Etrada de Luz East, Santaluz, CA (US) 92127

(\*) Notice: This patent is subject to a terminal disclaimer.

(\*\*) Term: **14 Years**

(21) Appl. No.: **29/211,230**

(22) Filed: **Aug. 12, 2004**

(51) **LOC (8) Cl.** ..... **25-01**

(52) **U.S. Cl.** ..... **D25/118**

(58) **Field of Classification Search** ..... D25/112-118, D25/164, 151; D21/483-486, 499-505; 405/15-16, 405/284, 286; 404/34, 37-42, 44-45; 52/102, 52/503-505, 596-609, 612  
See application file for complete search history.

(56) **References Cited**

**U.S. PATENT DOCUMENTS**

4,379,659 A	4/1983	Steiner
4,380,887 A	4/1983	Lee
4,384,810 A	5/1983	Neumann
4,671,706 A	6/1987	Giardini
4,884,921 A	12/1989	Smith
D310,267 S	8/1990	Zeidman
4,964,761 A	10/1990	Rossi
5,066,169 A	11/1991	Gavin et al.
5,072,566 A	12/1991	Zeidman
5,108,231 A	4/1992	Rausch
5,154,542 A	10/1992	Klenert
5,177,925 A	1/1993	Winkler

D351,239 S	*	10/1994	Klenert	.....	D25/113
D357,748 S		4/1995	Jansson		
5,564,865 A		10/1996	Jansson		

**OTHER PUBLICATIONS**

Brochure of Loffel Retaining Walls, Inc., Carlsbad, California "Loffelstein Retaining Walls", 1988.  
Manual of Loffel Retaining Walls, Inc., Carlsbad, California "Loffelstein Engineering Manual", 1988.

\* cited by examiner

*Primary Examiner*—Robert A. Delehanty  
(74) *Attorney, Agent, or Firm*—Wood, Phillips, Katz, Clark & Mortimer

(57) **CLAIM**

The ornamental design for a retaining wall block, as shown and described.

**DESCRIPTION**

FIG. 1 is a perspective view of a retaining wall block showing my new design, as seen from a top, side, front vantage;  
FIG. 2 is a perspective view thereof, as seen from a bottom, side, rear vantage;  
FIG. 3 is a top plan thereof;  
FIG. 4 is a front elevation thereof;  
FIG. 5 is a side elevation thereof, as seen from the right side shown in FIG. 1;  
FIG. 6 is a side elevation thereof, as seen from the opposite side;  
FIG. 7 is a rear elevation thereof; and,  
FIG. 8 is a bottom plan thereof.

**1 Claim, 3 Drawing Sheets**

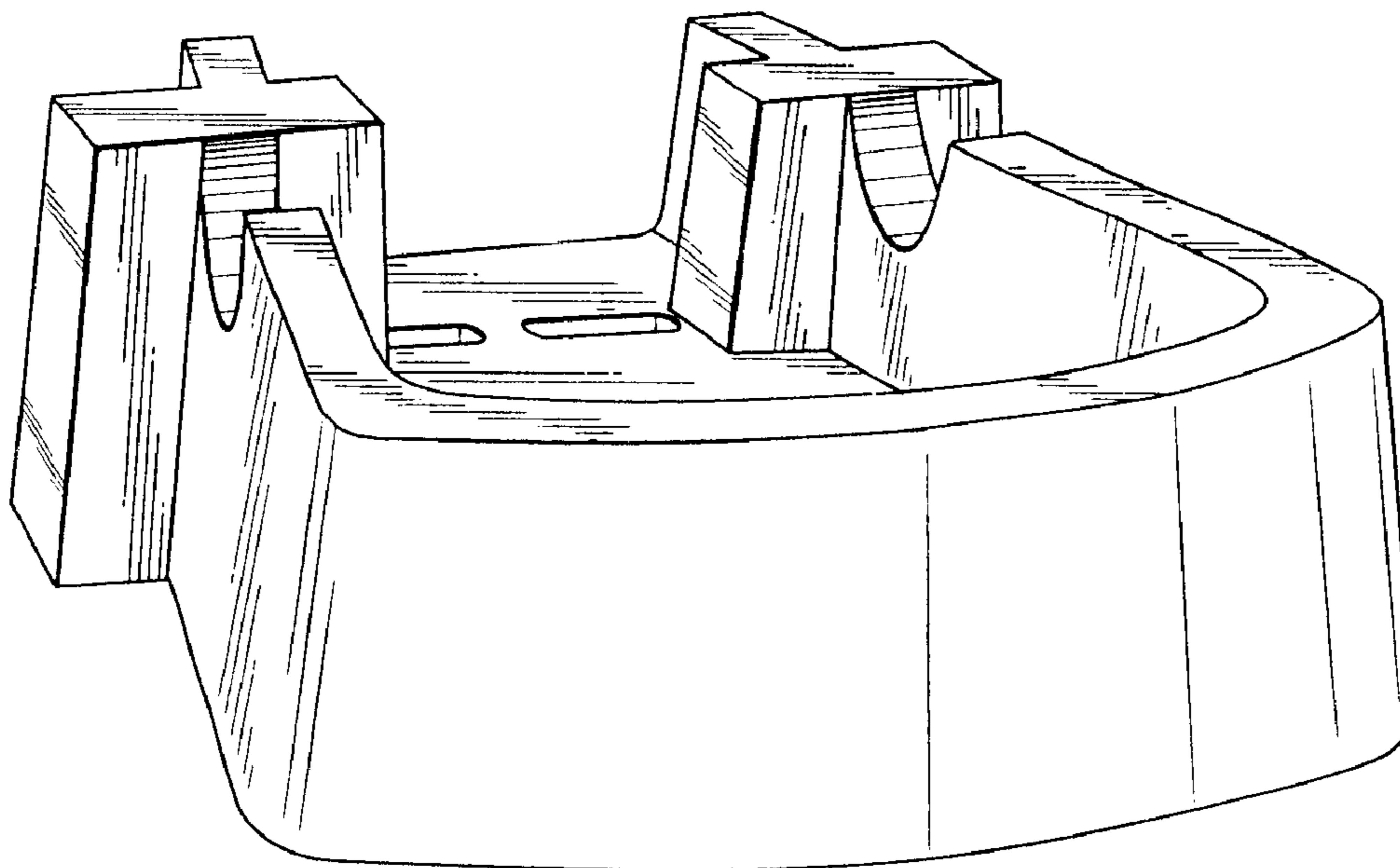


Fig. 1

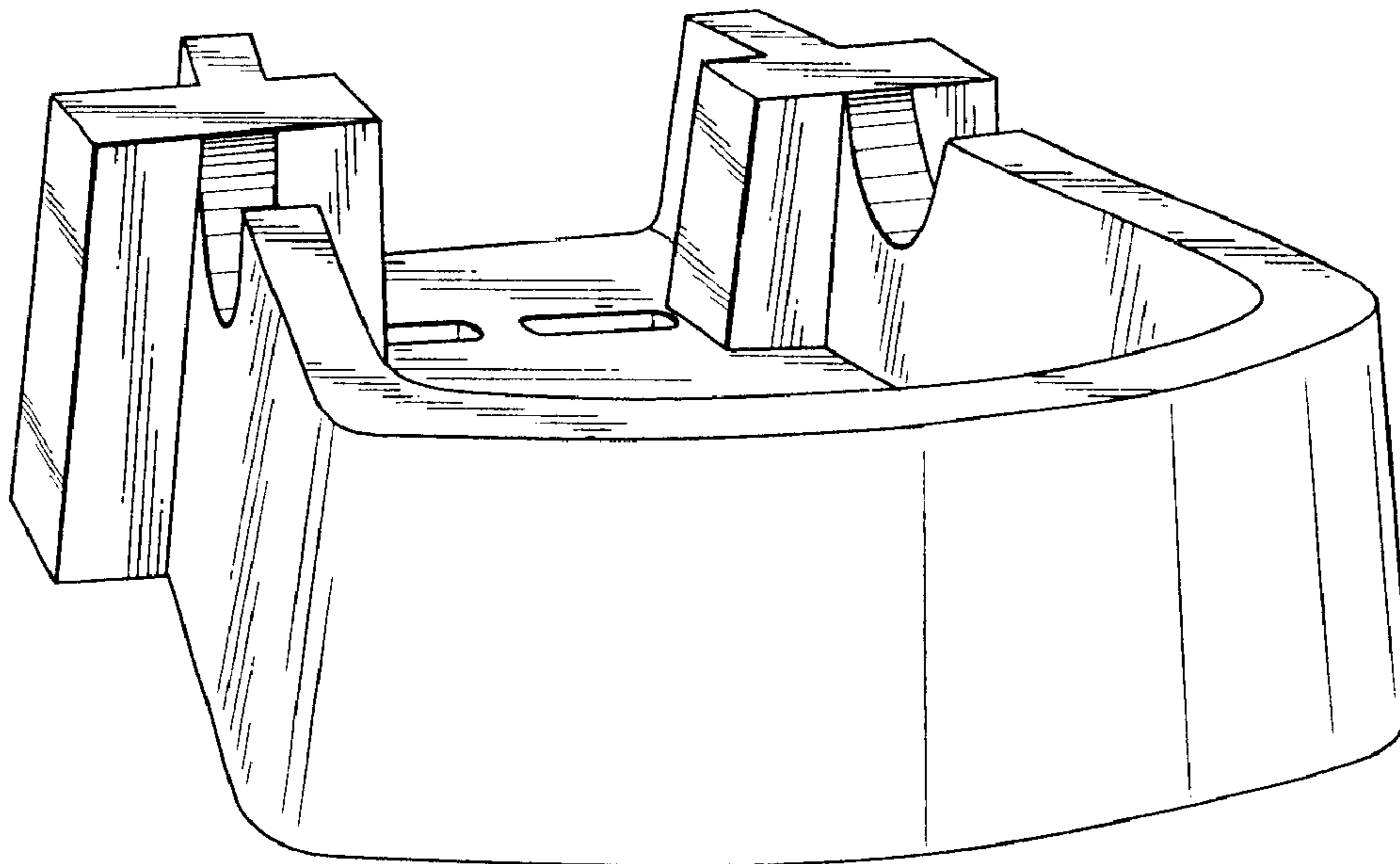


Fig. 2

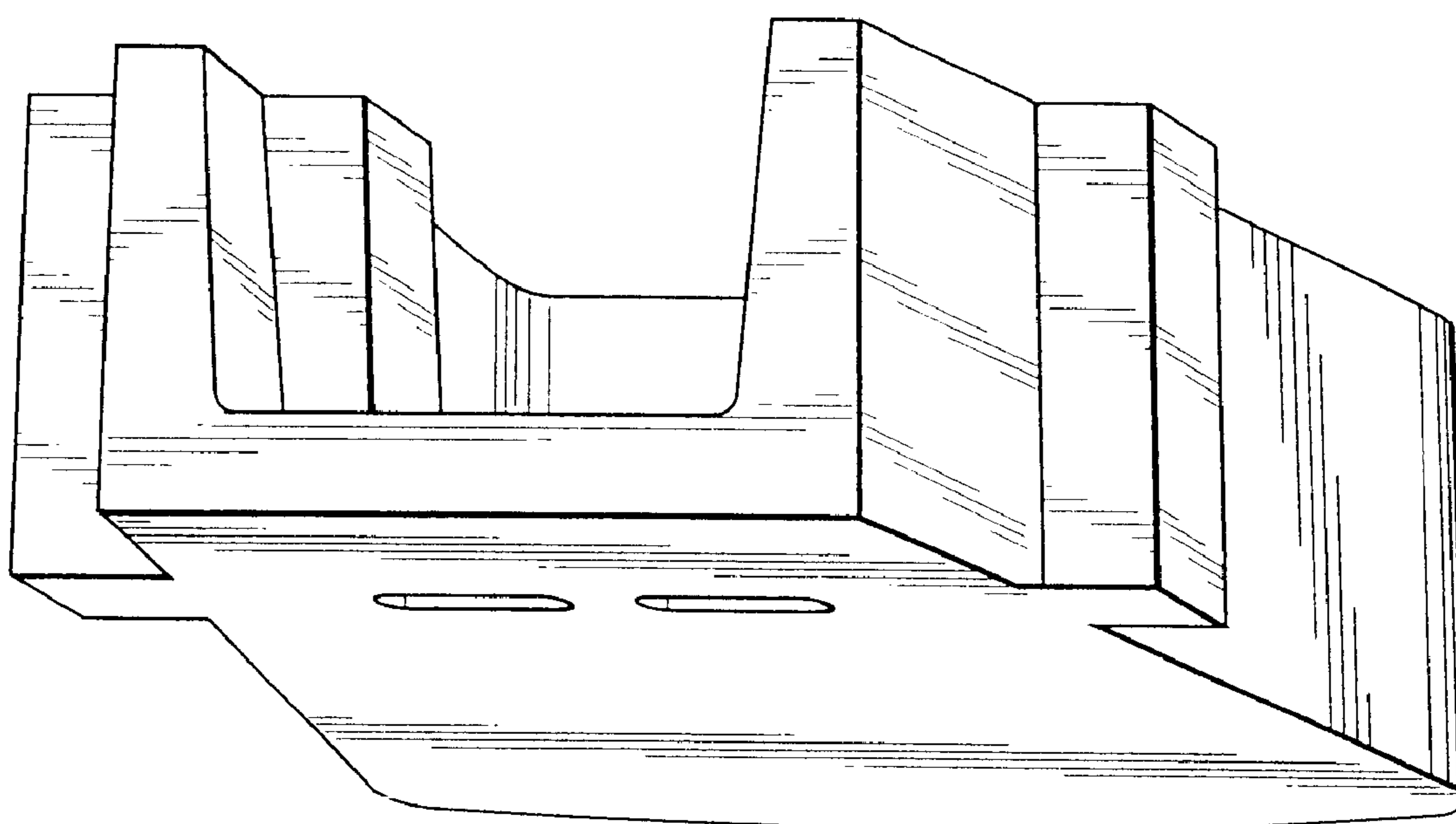


Fig. 3

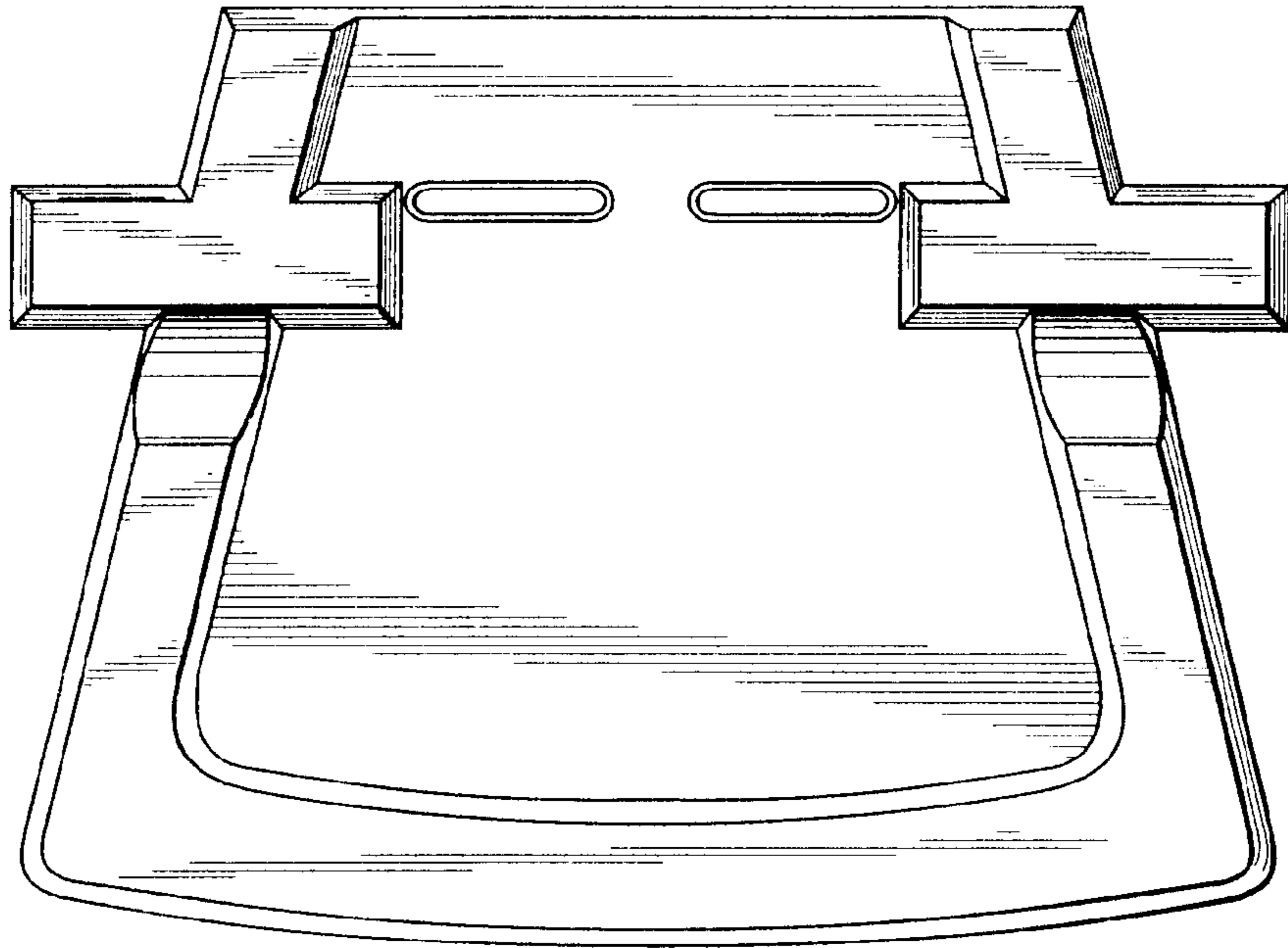


Fig. 4

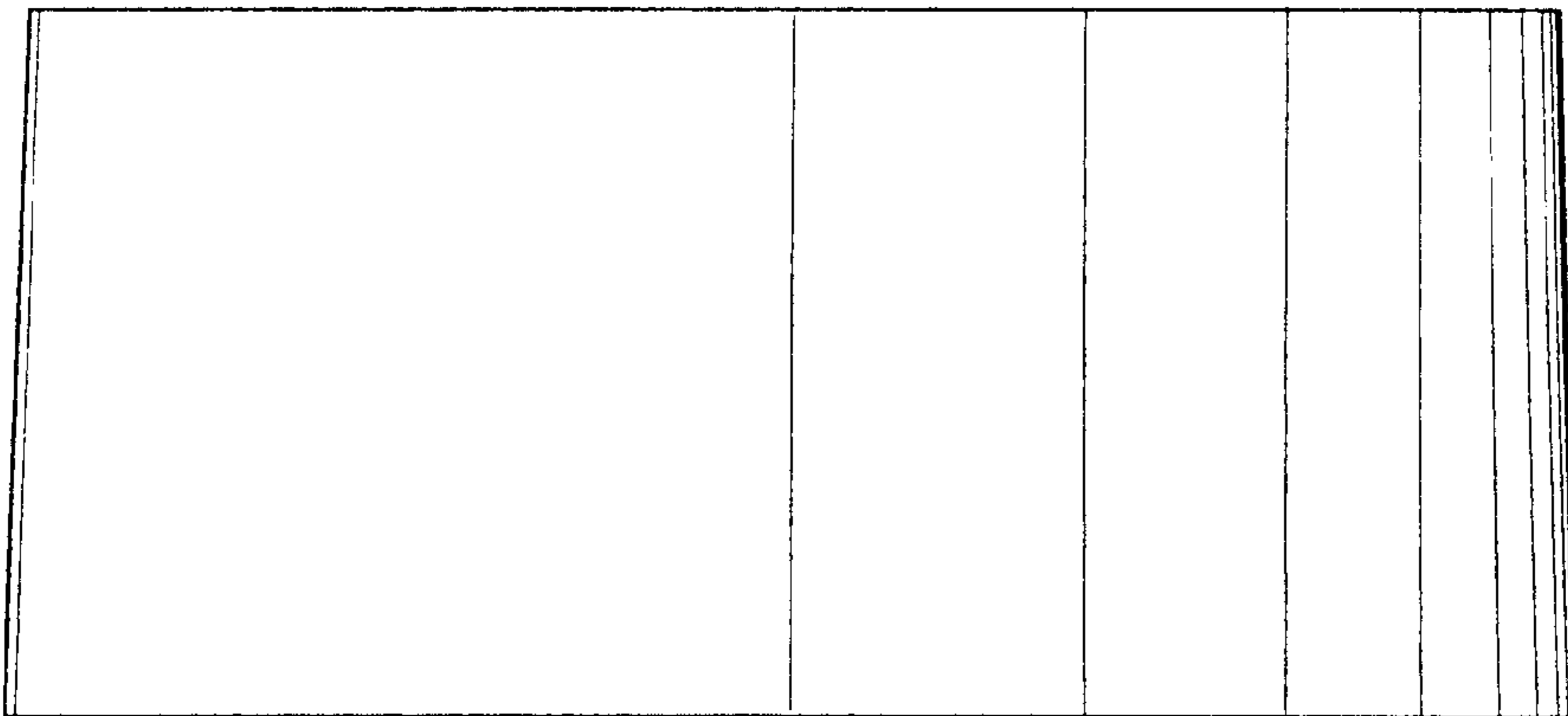
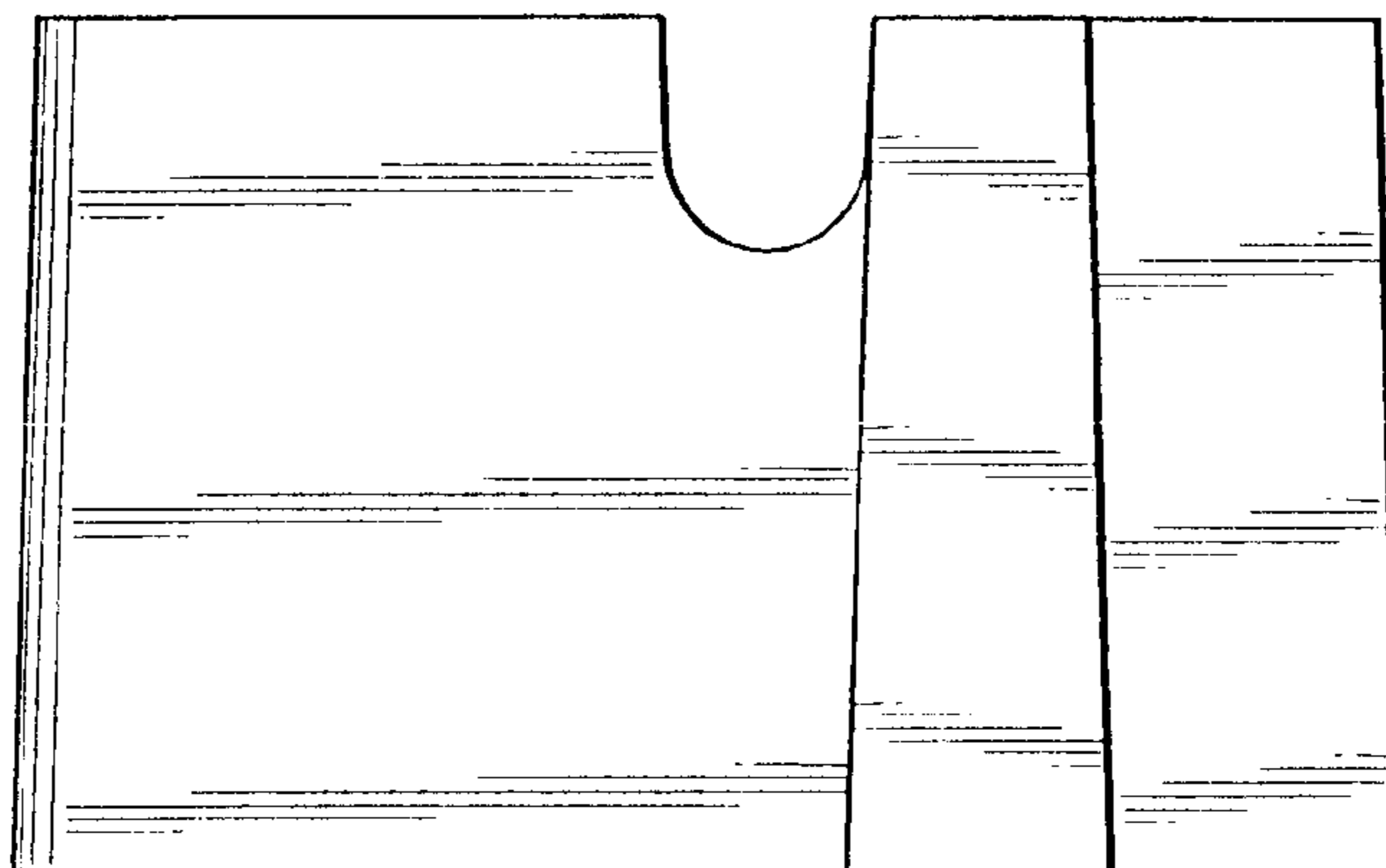
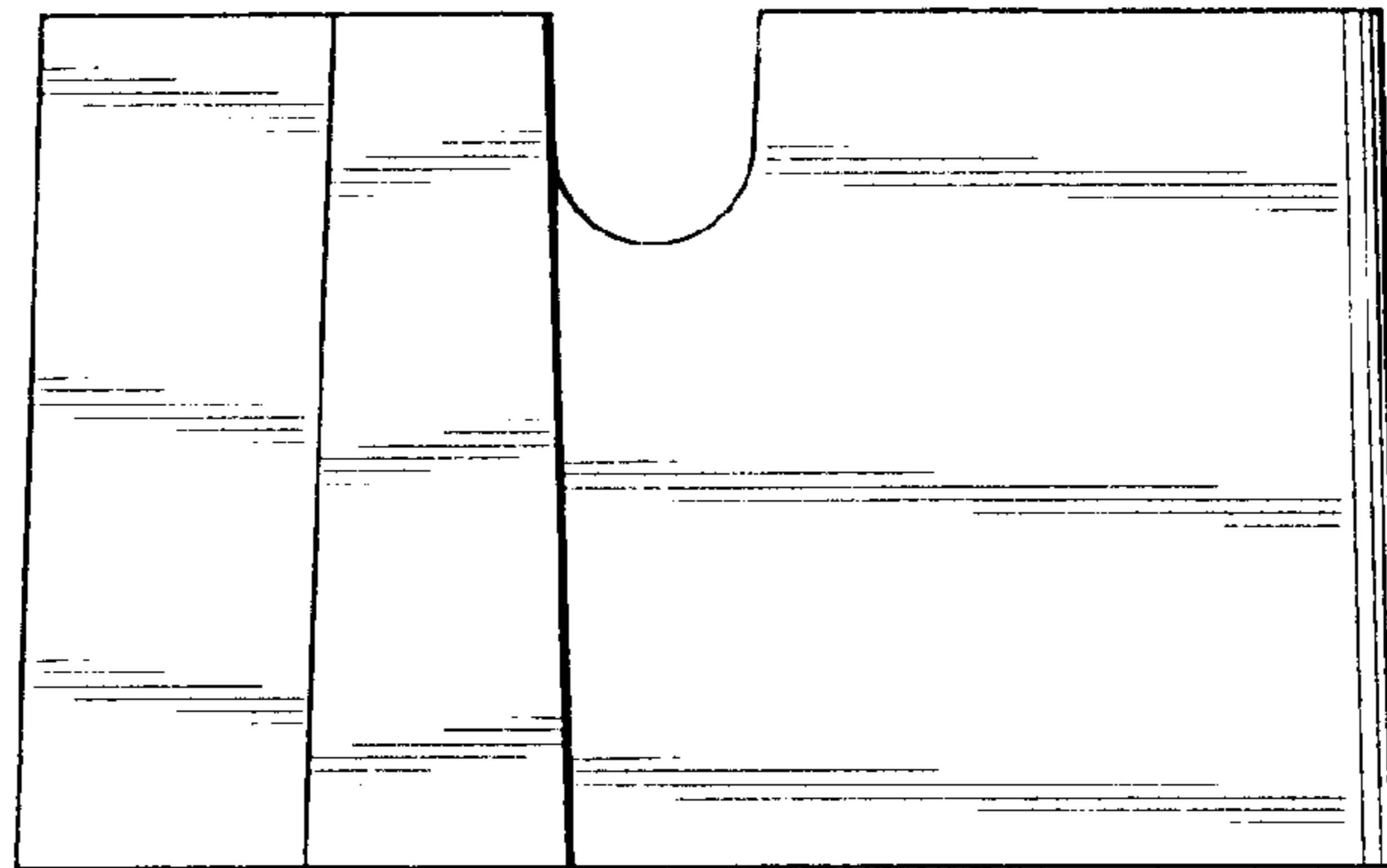


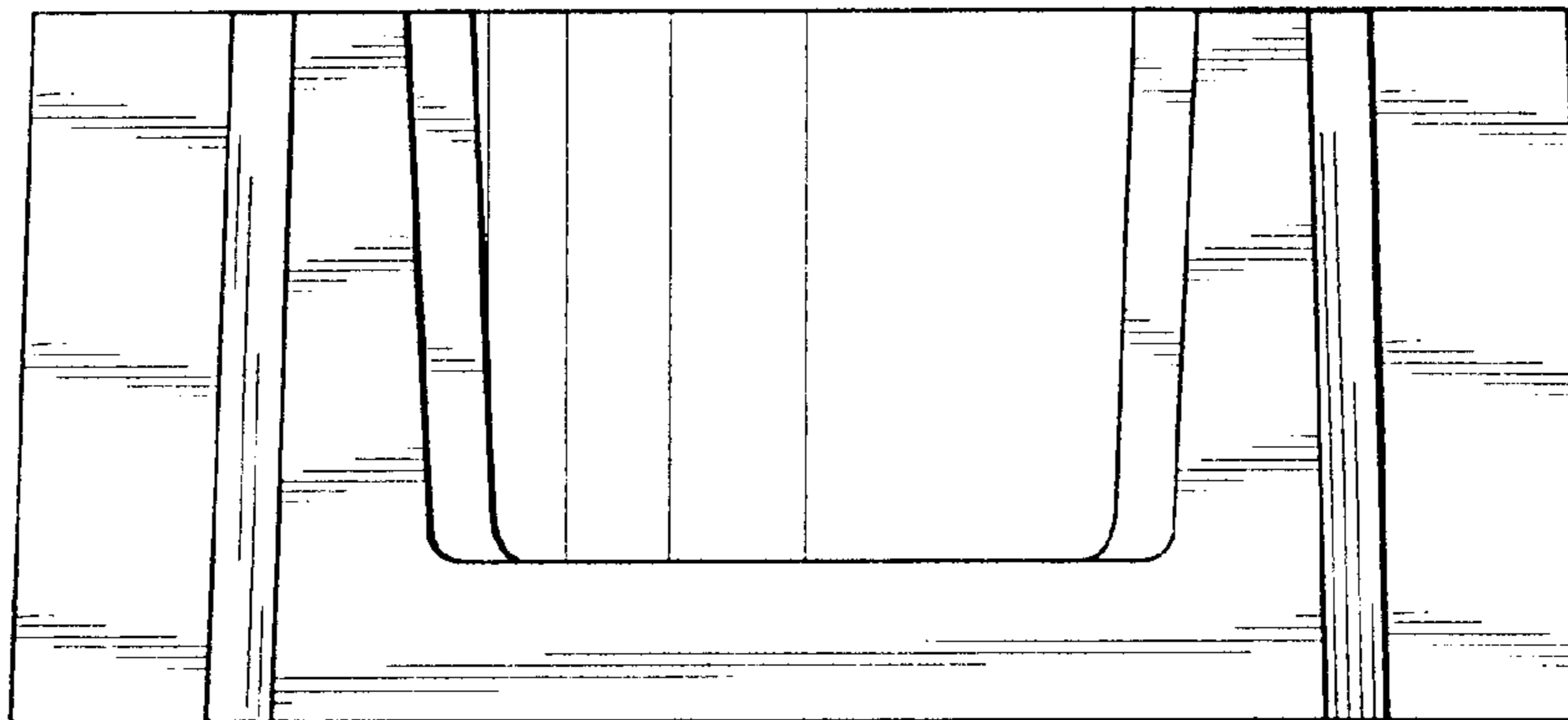
Fig. 5



**Fig. 6**



**Fig. 7**



**Fig. 8**

