



US00D528222S

(12) **United States Design Patent** (10) **Patent No.:** **US D528,222 S**  
**Meadows et al.** (45) **Date of Patent:** **\*\* Sep. 12, 2006**

(54) **KEYSTONE**

(76) Inventors: **Joel S. Meadows**, 173 Northshores Dr.,  
Cherryville, NC (US) 28021; **Joseph S. Meadows**, 173 Northshores Dr.,  
Cherryville, NC (US) 28021

(\*\*) Term: **14 Years**

(21) Appl. No.: **29/225,991**

(22) Filed: **Mar. 23, 2005**

(51) **LOC (8) Cl.** ..... **25-01**

(52) **U.S. Cl.** ..... **D25/113**

(58) **Field of Classification Search** ..... D25/112-115,  
D25/118; D21/484-485, 489-490, 499-502;  
405/15-16, 33, 35, 284-286; 404/29-30,  
404/34, 37, 42; 52/503-504, 575, 596-599,  
52/603-605, 608, 612

See application file for complete search history.

(56) **References Cited**

**U.S. PATENT DOCUMENTS**

3,778,945	A	*	12/1973	Medow	.....	52/217
3,942,290	A	*	3/1976	O'Sheeran	.....	52/57
5,218,801	A	*	6/1993	Hereford	.....	52/223.9
D434,159	S	*	11/2000	Hampel	.....	D25/113
D460,830	S	*	7/2002	Unger	.....	D25/113
2005/0198914	A1	*	9/2005	Lyons et al.	.....	52/36.3

\* cited by examiner

*Primary Examiner*—Robert A. Delehanty  
(74) *Attorney, Agent, or Firm*—Dougherty / Clements

(57) **CLAIM**

The ornamental design for a keystone, as shown and described.

**DESCRIPTION**

FIG. 1 is a perspective view of the keystone showing the new design in use with vinyl siding and located above a window on a residence;

FIG. 2 is a top plan view shown on an enlarged scale thereof; FIG. 3 is a front elevation view shown on an enlarged scale thereof;

FIG. 4 is a left side view shown on an enlarged scale thereof; FIG. 5 is a right side view shown on an enlarged scale thereof;

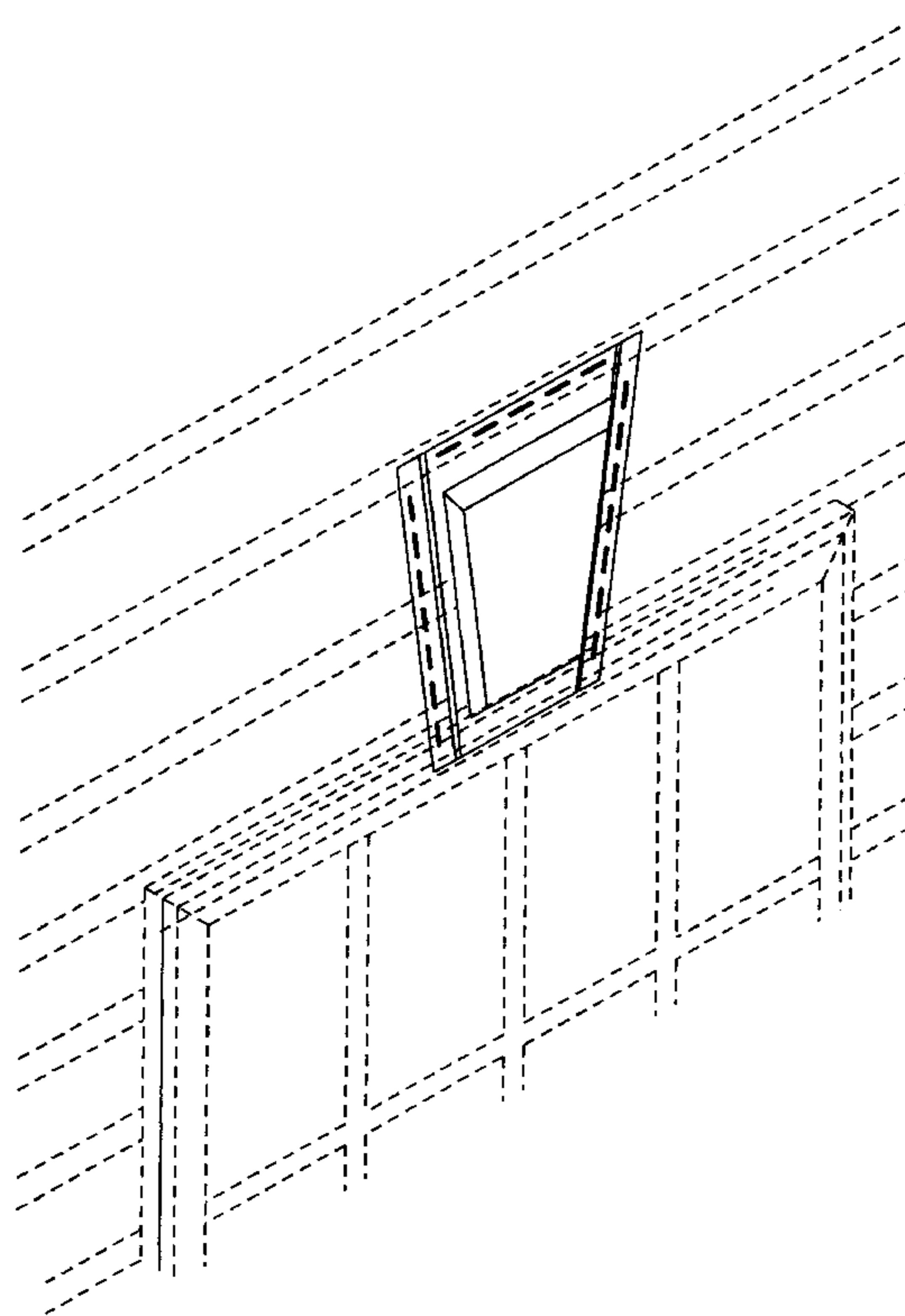
FIG. 6 is a bottom view shown on an enlarged scale thereof; FIG. 7 is a rear view shown on an enlarged scale thereof; and,

FIG. 8 is a front view thereof showing on an enlarged scale how distinctive indicia may be placed thereon.

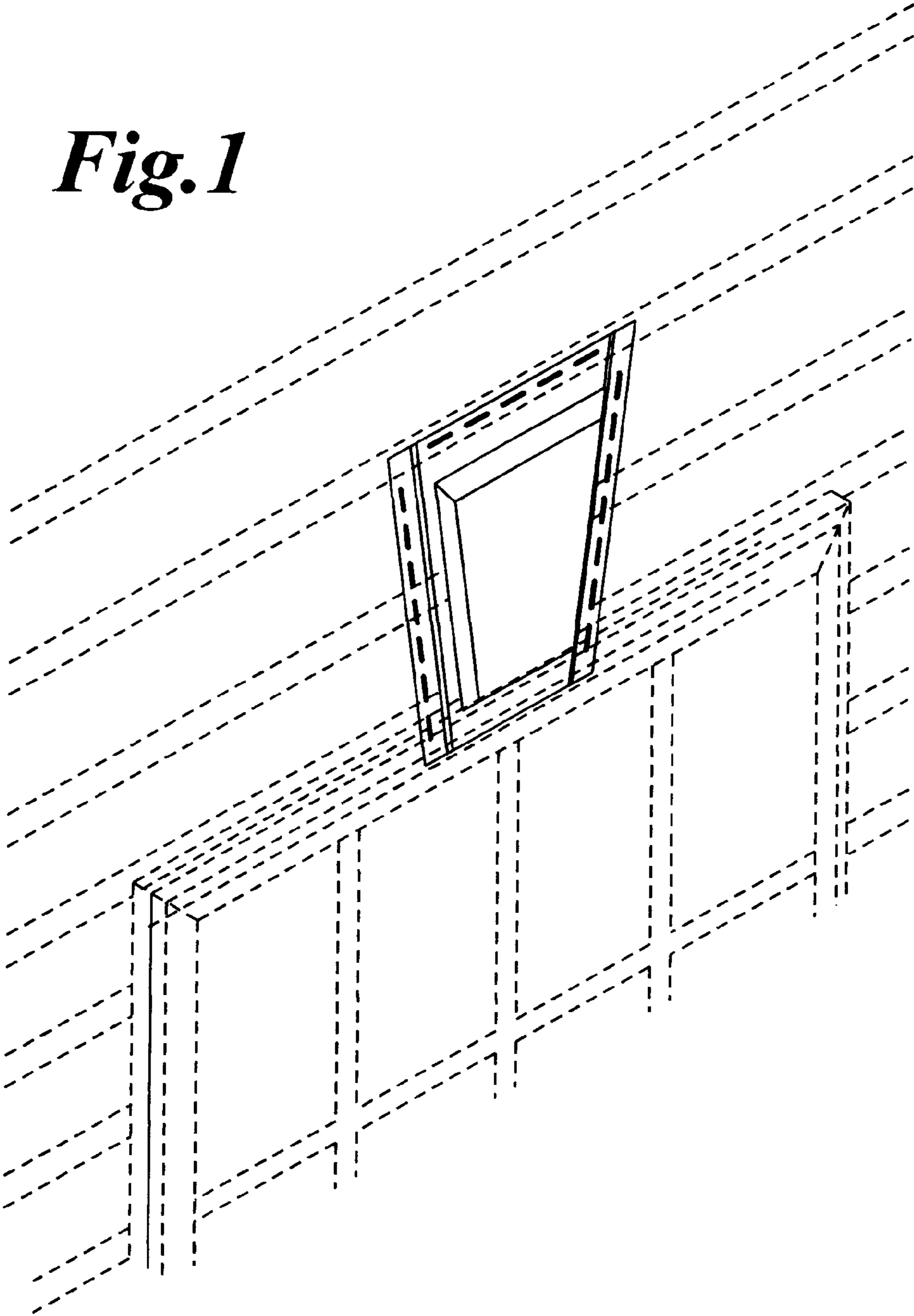
Material shown in dotted lines shows the environment in which the invented design is used, and forms no part of the invented design.

The broken line showing of vinyl siding, a window and distinctive indicia is for illustrative purposes only and forms no part of the claimed design.

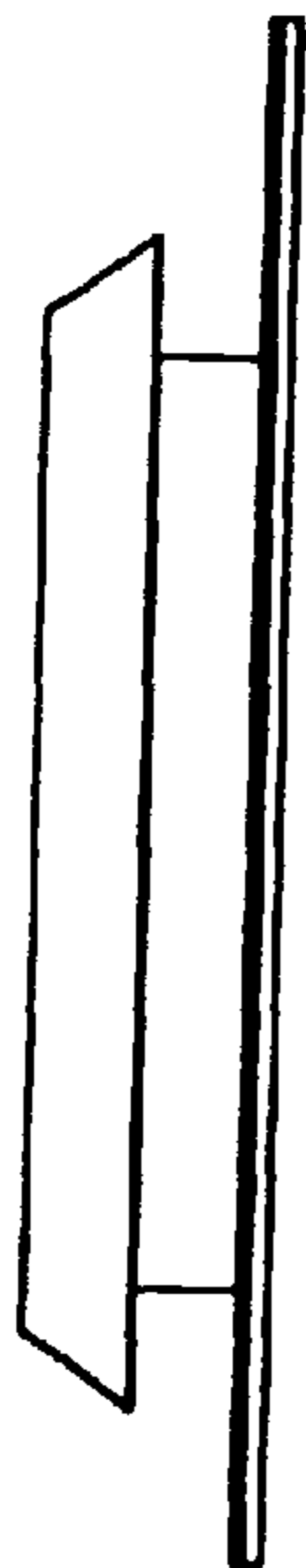
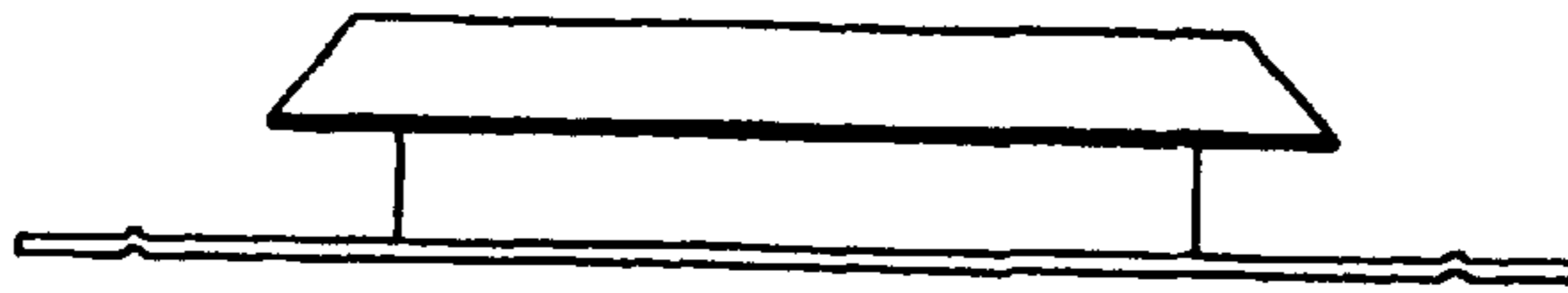
**1 Claim, 4 Drawing Sheets**



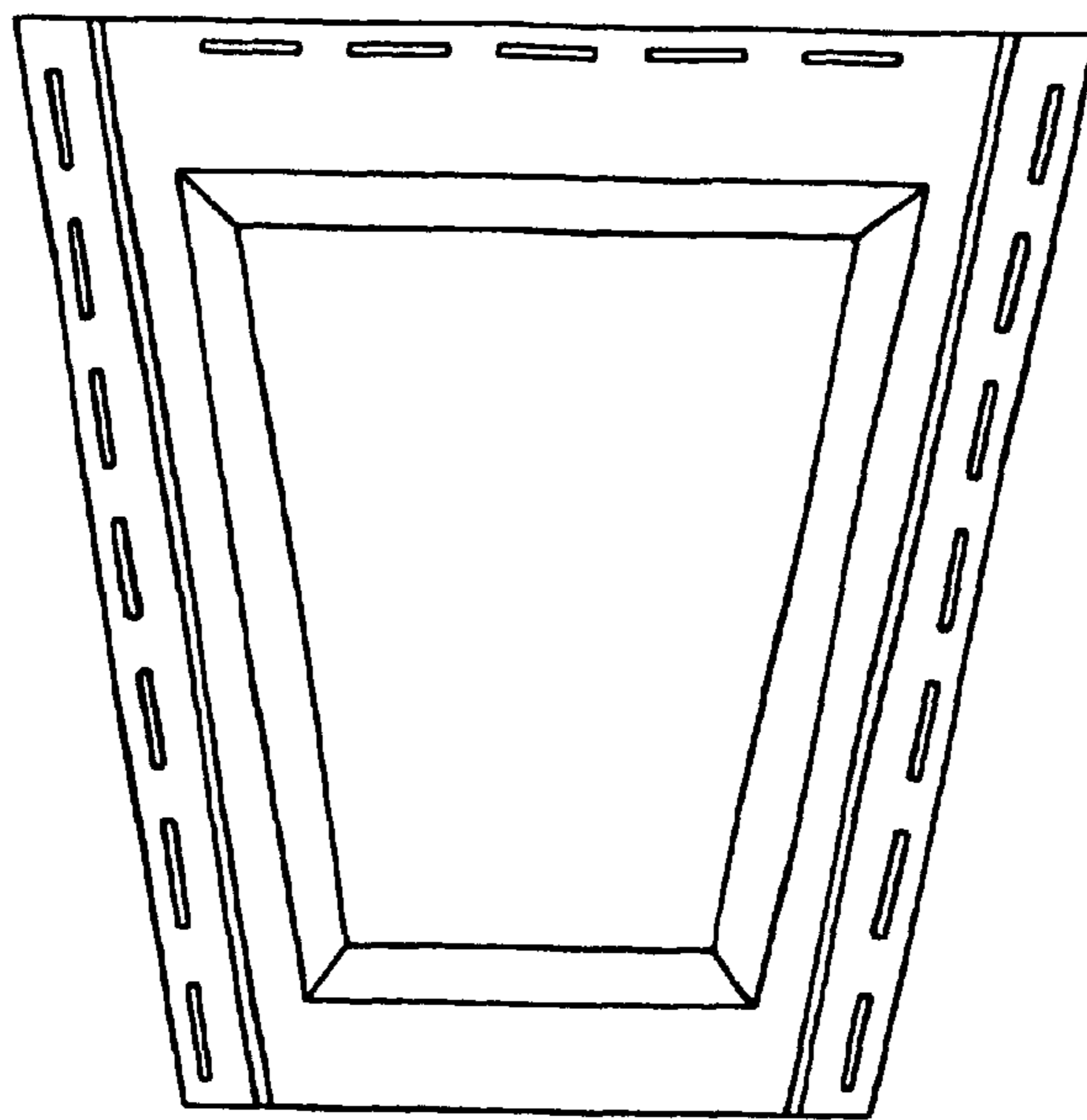
*Fig. 1*



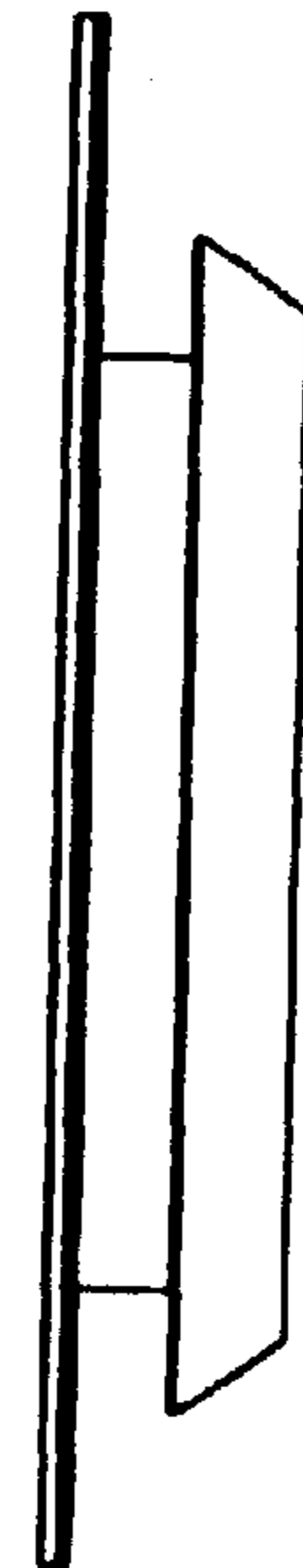
*Fig.2*



*Fig.4*

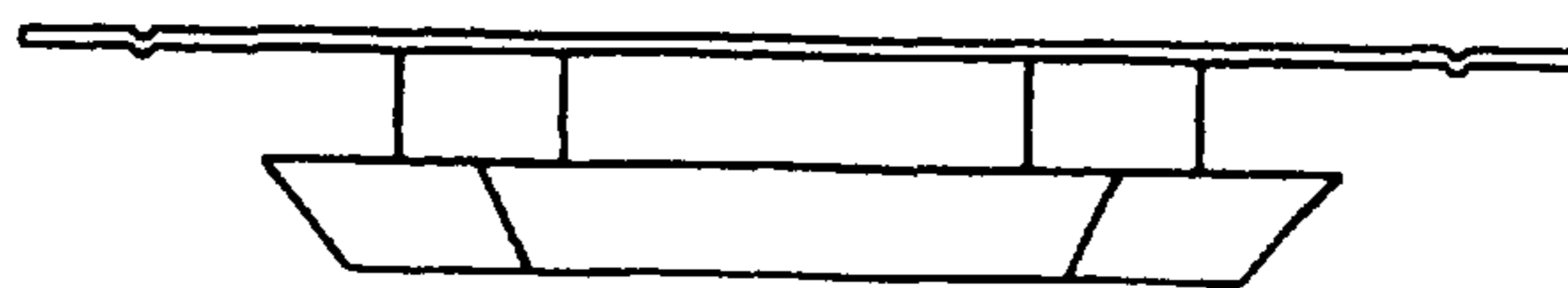


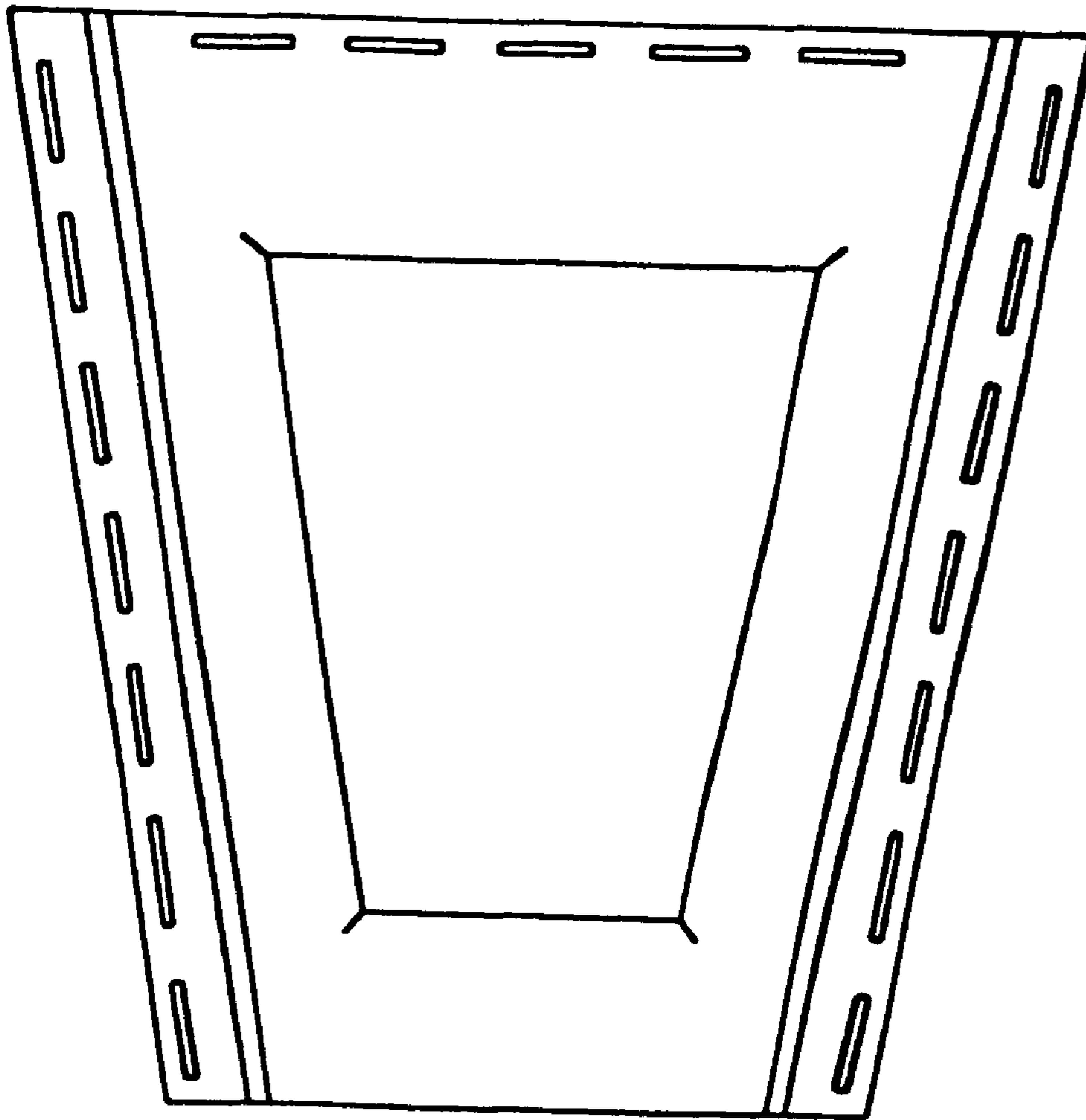
*Fig.3*



*Fig.5*

*Fig.6*





*Fig. 7*

*Fig. 8*

