



US00D528216S

(12) **United States Design Patent** (10) **Patent No.:** **US D528,216 S**
Körner (45) **Date of Patent:** **** Sep. 12, 2006**

(54) **CEILING MOUNTED MEDICAL APPARATUS**

(75) Inventor: **Arno Körner**, Herrsching (DE)

(73) Assignee: **Trumpf Kreuzer Medizin System GmbH + CO KG**, Puchheim (DE)

(**) Term: **14 Years**

(21) Appl. No.: **29/192,767**

(22) Filed: **Oct. 29, 2003**

(30) **Foreign Application Priority Data**

Apr. 29, 2003	(EM)	000028808-0001
Apr. 29, 2003	(EM)	000028808-0002
Apr. 29, 2003	(EM)	000028808-0003
Apr. 29, 2003	(EM)	000028808-0004
Apr. 29, 2003	(EM)	000028808-0005
Apr. 29, 2003	(EM)	000028808-0006
Apr. 29, 2003	(EM)	000028808-0007
Apr. 29, 2003	(EM)	000028808-0008
Apr. 29, 2003	(EM)	000028808-0009

(51) **LOC (8) Cl.** **24-02**

(52) **U.S. Cl.** **D24/232; D24/234**

(58) **Field of Classification Search** D24/234,
D24/232, 185, 231, 210, 162, 177-179, 183;
52/27; 312/209, 245-249; 433/49, 53, 77,
433/79; 602/33-35; 211/85.13, 113; 248/343,
248/320, 920

See application file for complete search history.

(56) **References Cited**

U.S. PATENT DOCUMENTS

3,931,452	A *	1/1976	Nilsson	248/343
D246,534	S *	11/1977	Buckley	D24/177
4,673,154	A *	6/1987	Karapita	248/320
5,123,621	A *	6/1992	Gates	248/920
5,299,338	A *	4/1994	Foster	312/209
D390,968	S *	2/1998	Kummerfeld	D24/234
2004/0237202	A1 *	12/2004	Gallant et al.	52/27

FOREIGN PATENT DOCUMENTS

JP 110656 4/2002

* cited by examiner

Primary Examiner—Ian Simmons

Assistant Examiner—Melanie Levy

(74) *Attorney, Agent, or Firm*—Butzel Long

(57) **CLAIM**

The original design for a ceiling mounted medical apparatus, as shown and described herein.

DESCRIPTION

FIG. 1 is a perspective view of a design for a ceiling mounted medical apparatus;

FIG. 2a is a perspective view of a left side portion of the ceiling mounted medical apparatus of FIG. 1;

FIG. 2b is a perspective view of a right side portion of the ceiling mounted medical apparatus of FIG. 1;

FIG. 3 is a perspective view of a portion of the ceiling mounted medical apparatus of FIG. 2a;

FIG. 4 is a left side elevational view of the portion of the ceiling mounted medical apparatus of FIG. 3;

FIG. 5 is a right side elevational view of the portion of the ceiling mounted medical apparatus of FIG. 3;

FIG. 6 is a front and rear elevational view of the portion of the ceiling mounted medical apparatus of FIG. 3;

FIG. 7 is a top plan view of the portion of the ceiling mounted medical apparatus of FIG. 3;

FIG. 8 is a bottom plan view of the portion of the ceiling mounted medical apparatus of FIG. 3;

FIG. 9 is a perspective view of a portion of the ceiling mounted medical apparatus of FIG. 2b

FIG. 10 is a front elevational view of the portion of the ceiling mounted medical apparatus of FIG. 9;

FIG. 11 is rear elevational view of the portion of the ceiling mounted medical apparatus of FIG. 9;

FIG. 12 is a left side elevational view of the portion of the ceiling mounted medical apparatus of FIG. 9;

FIG. 13 is a right side elevational view of the portion of the ceiling mounted medical apparatus of FIG. 9;

FIG. 14 is a top plan view of the portion of the ceiling mounted medical apparatus of FIG. 9;

FIG. 15 is bottom plan view of the portion of the ceiling mounted medical apparatus of FIG. 9;

FIG. 16 is a perspective view of an upper left side connecting portion of the ceiling mounted medical apparatus of FIG. 1;

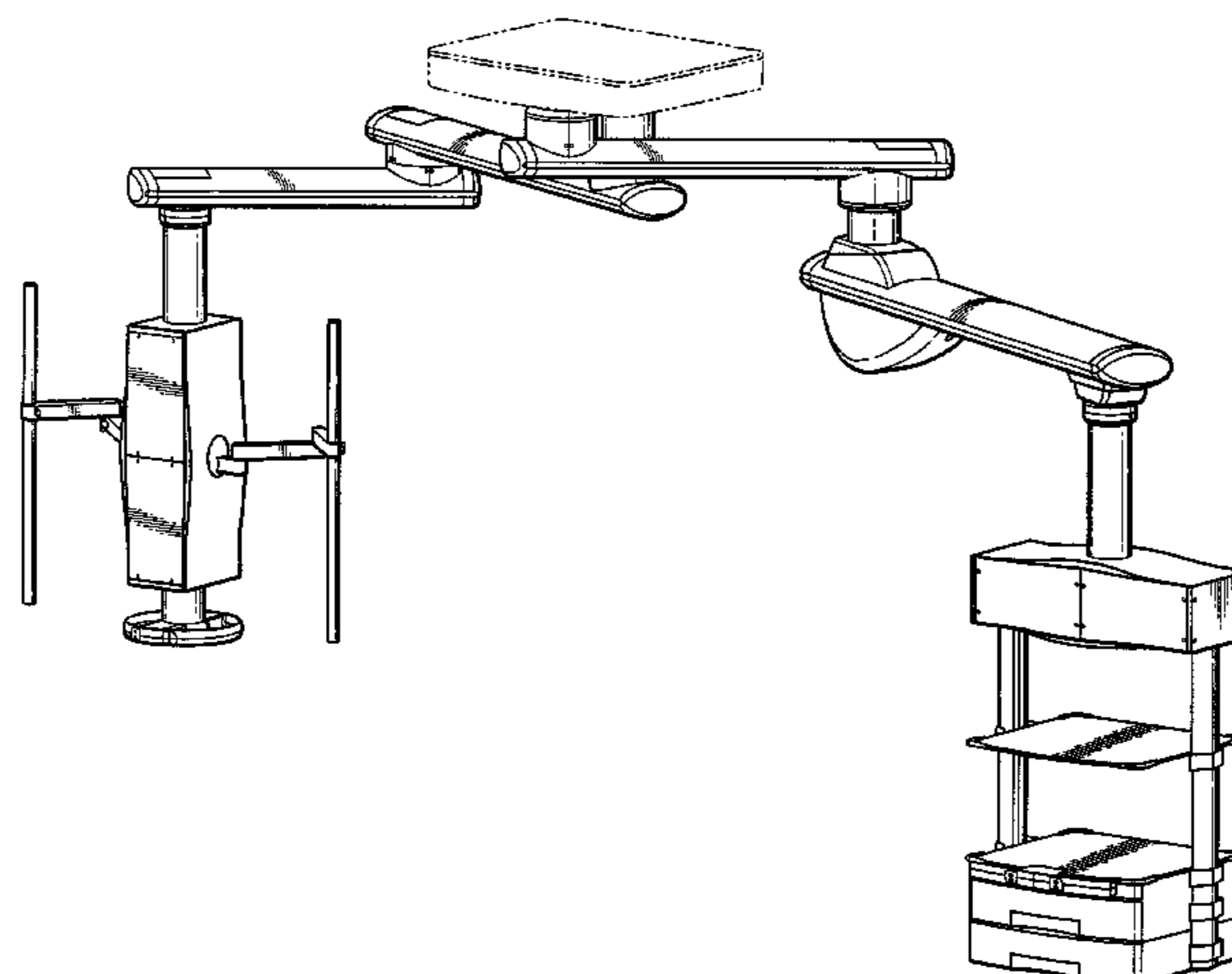


FIG. 17 is a left side elevational view of the portion of the ceiling mounted medical apparatus of FIG. 16;
FIG. 18 is a right side elevational view of the portion of the ceiling mounted medical apparatus of FIG. 16;
FIG. 19 is a front and rear elevational view of the portion of the ceiling mounted medical apparatus of FIG. 16;
FIG. 20 is a top plan view of the portion of the ceiling mounted medical apparatus of FIG. 16;
FIG. 21 is bottom plan view of the portion of the ceiling mounted medical apparatus of FIG. 16;
FIG. 22 is a perspective view of an upper right side connecting a portion of the ceiling mounted medical apparatus of FIG. 1;
FIG. 23 is front elevational view of the portion of the ceiling mounted medical apparatus of FIG. 22;
FIG. 24 is a rear elevational view of the portion of the ceiling mounted medical apparatus of FIG. 22;
FIG. 25 is a left side elevational view of the portion of the ceiling mounted medical apparatus of FIG. 22;
FIG. 26 is a right side elevational view of the portion of the ceiling mounted medical apparatus of FIG. 22;
FIG. 27 is a top plan view of the portion of the ceiling mounted medical apparatus of FIG. 22;
FIG. 28 is a bottom plan view of the portion of the ceiling mounted medical apparatus of FIG. 22;
FIG. 29 is a perspective view of a design of a first alternative subcomponent which can be mounted to either of the outer vertical column-shaped element depicted in FIG. 1;
FIG. 30 is a front elevational view of the portion of the ceiling mount of FIG. 29;
FIG. 31 is a rear elevational view of the portion of the ceiling mount of FIG. 29;

FIG. 32 is a left side elevational view of the portion of the ceiling mount of FIG. 29;
FIG. 33 is a right side elevational view of the portion of the ceiling mount of FIG. 29;
FIG. 34 is a top plan view of the portion of the ceiling mount of FIG. 29;
FIG. 35 is a bottom plan view of the portion of the ceiling mount of FIG. 29;
FIG. 36 is a perspective view of a second alternative subcomponent which can be mounted to either of the outer vertical column-shaped elements depicted in FIG. 1;
FIG. 37 is a front elevational view of the portion of the ceiling mount of FIG. 36, the rear elevational view being identical;
FIG. 38 is a left side elevational view of the portion of the ceiling mount of FIG. 36, the rear elevational view being identical;
FIG. 39 is a top plan view of the portion of the ceiling mount of FIG. 36;
FIG. 40 is a bottom plan view of the portion of the ceiling mount of FIG. 36;
FIG. 41 is a perspective view of a design for a ceiling mounted medical apparatus which includes the first and second alternative subcomponents of FIGS. 29 and 36;
FIG. 42a is a perspective view of a left side portion of the ceiling mounted medical apparatus of FIG. 41; and,
FIG. 42b is a perspective view of a right side portion of the ceiling mounted medical apparatus of FIG. 41.
The broken lines in FIGS. 1, 2b, 41 and 42b are for illustrative purposes only and form no part of the claimed design.

1 Claim, 29 Drawing Sheets

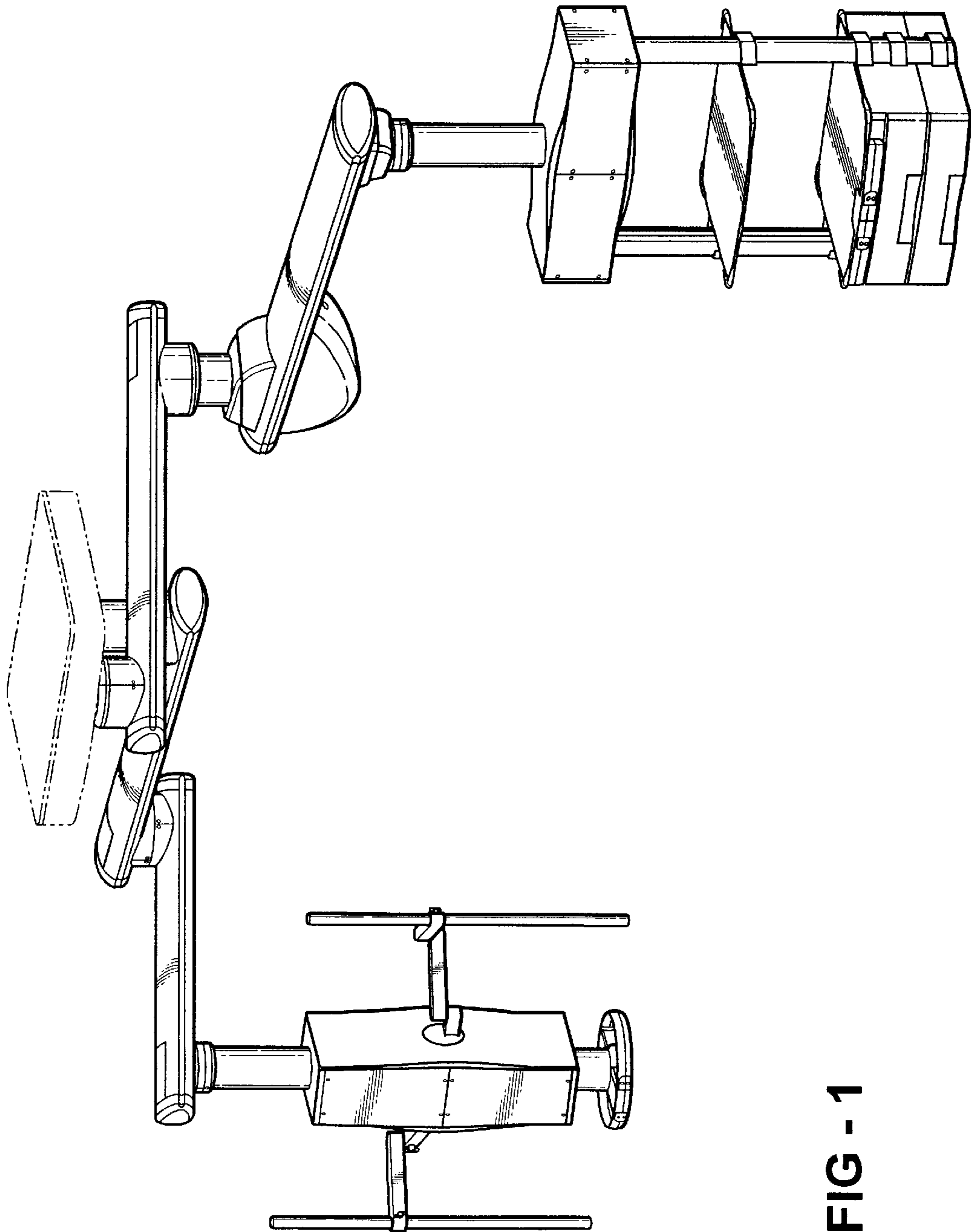


FIG - 1

FIG - 2a

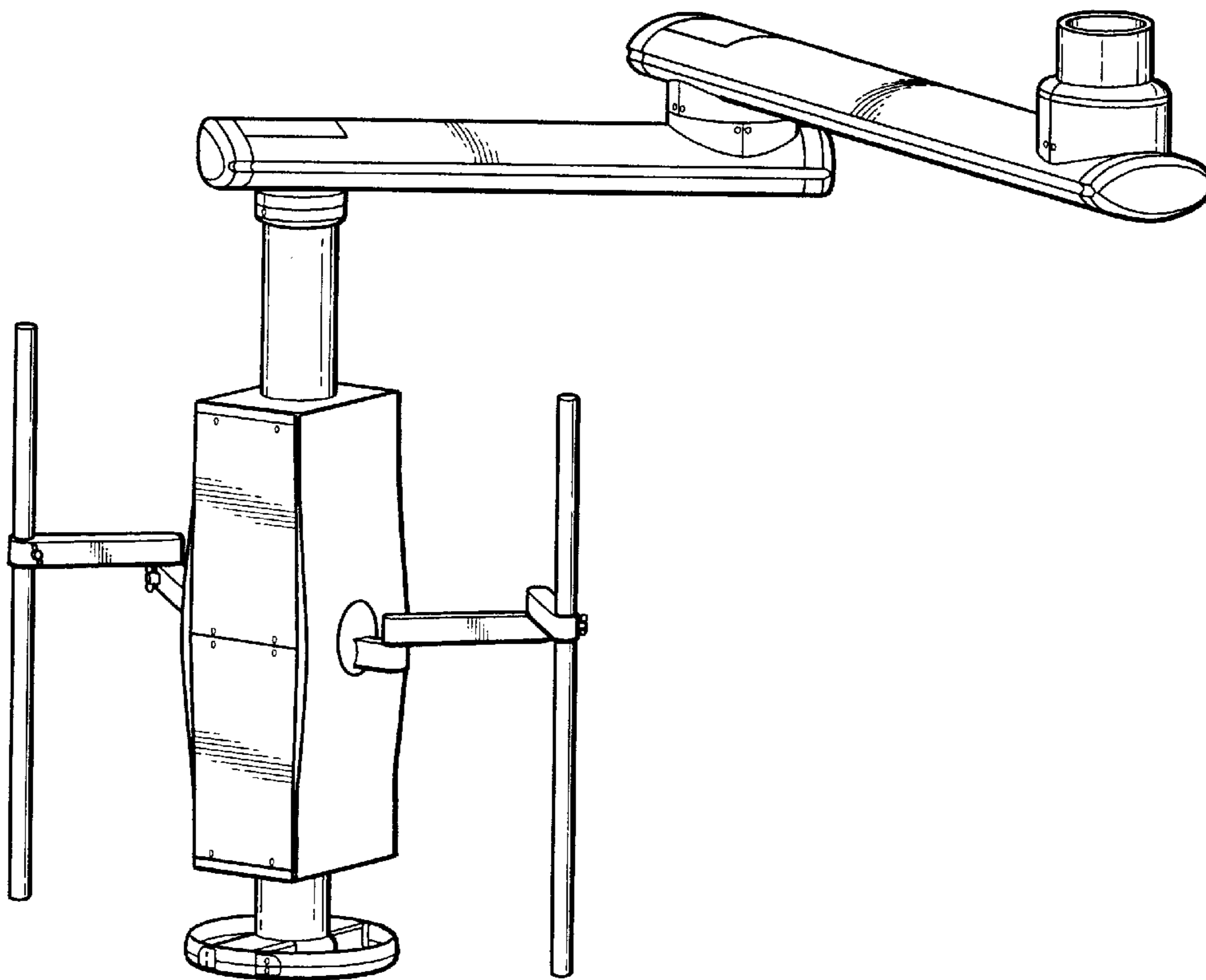


FIG - 2b

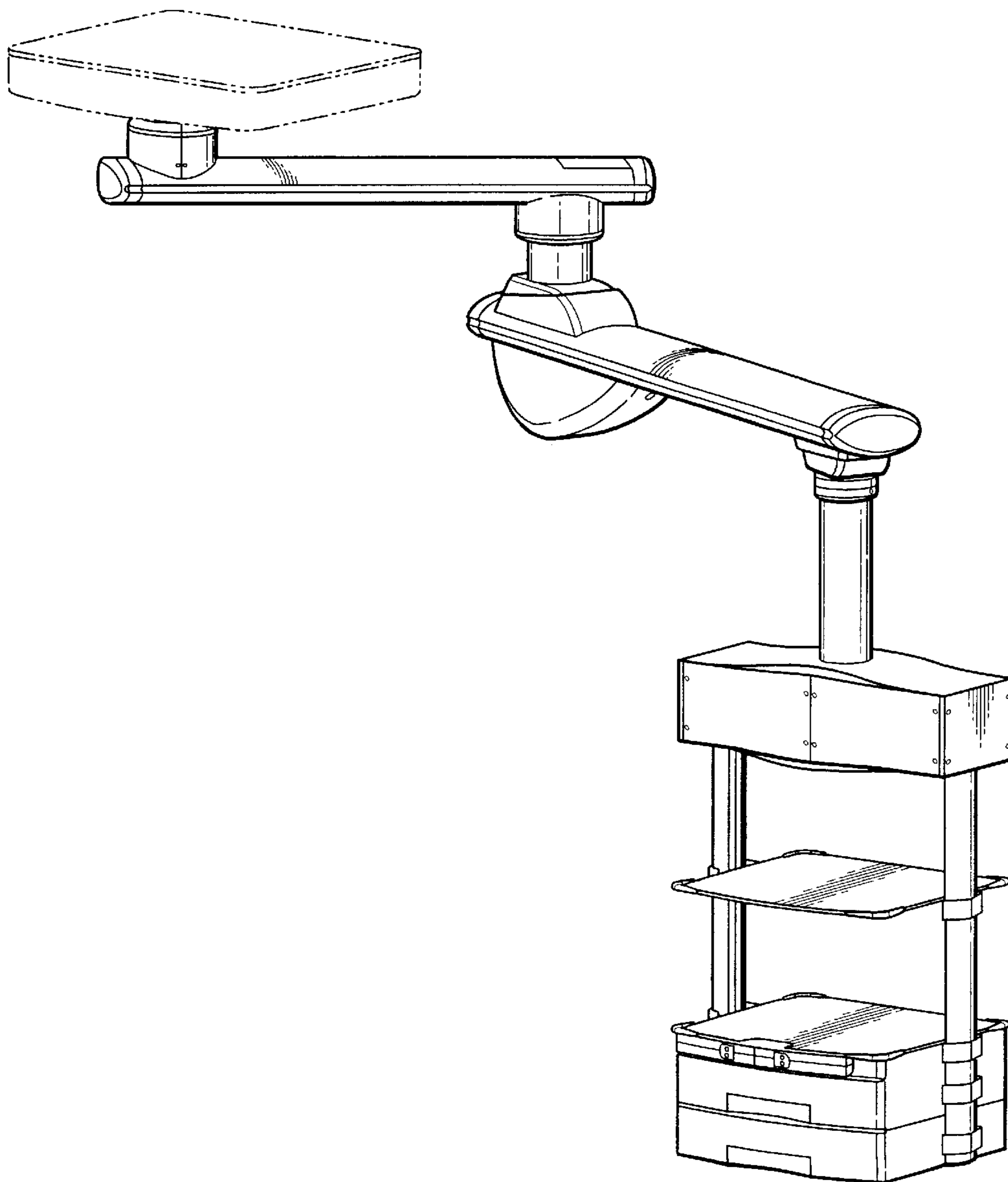


FIG - 3

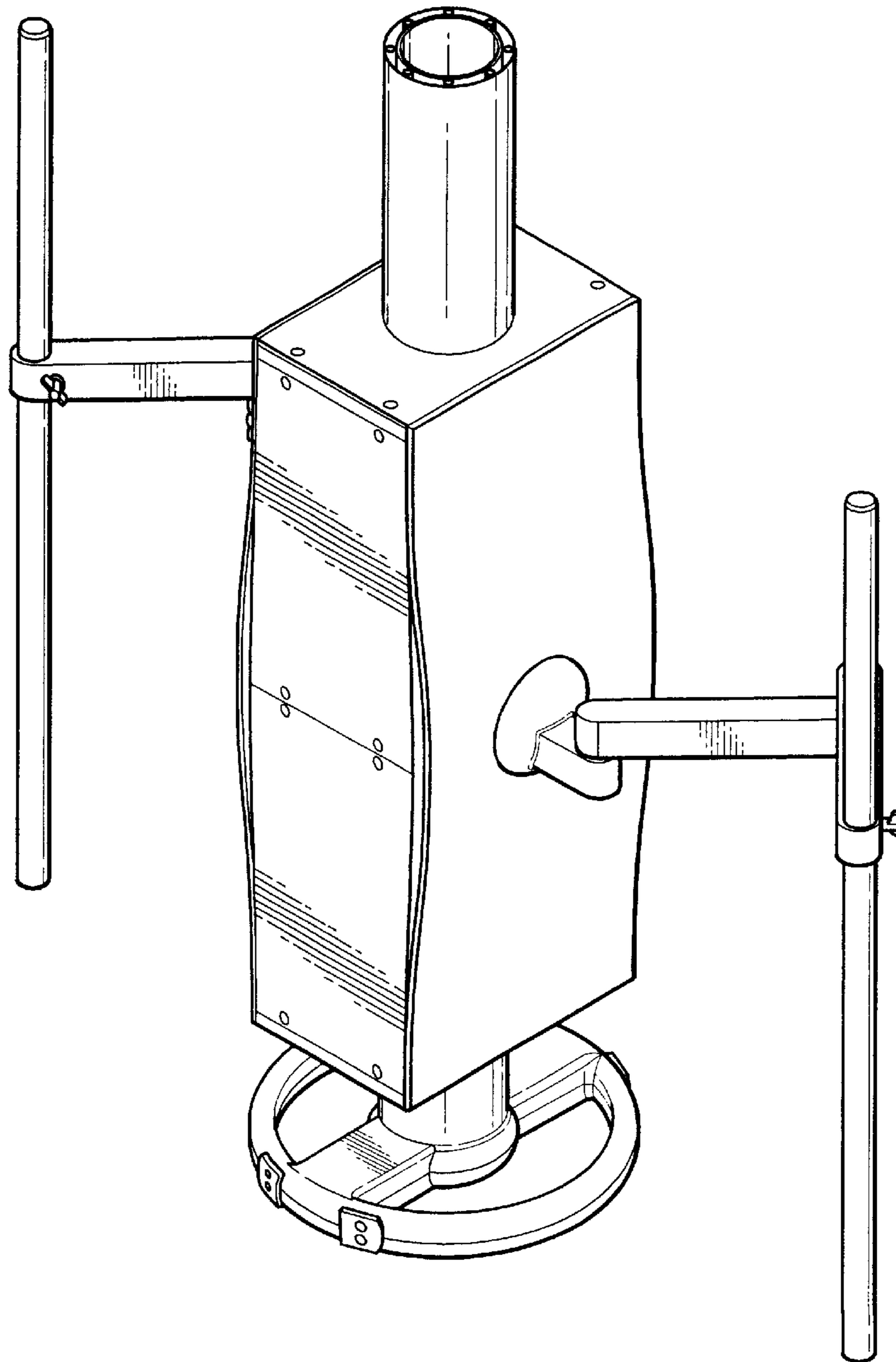


FIG - 4

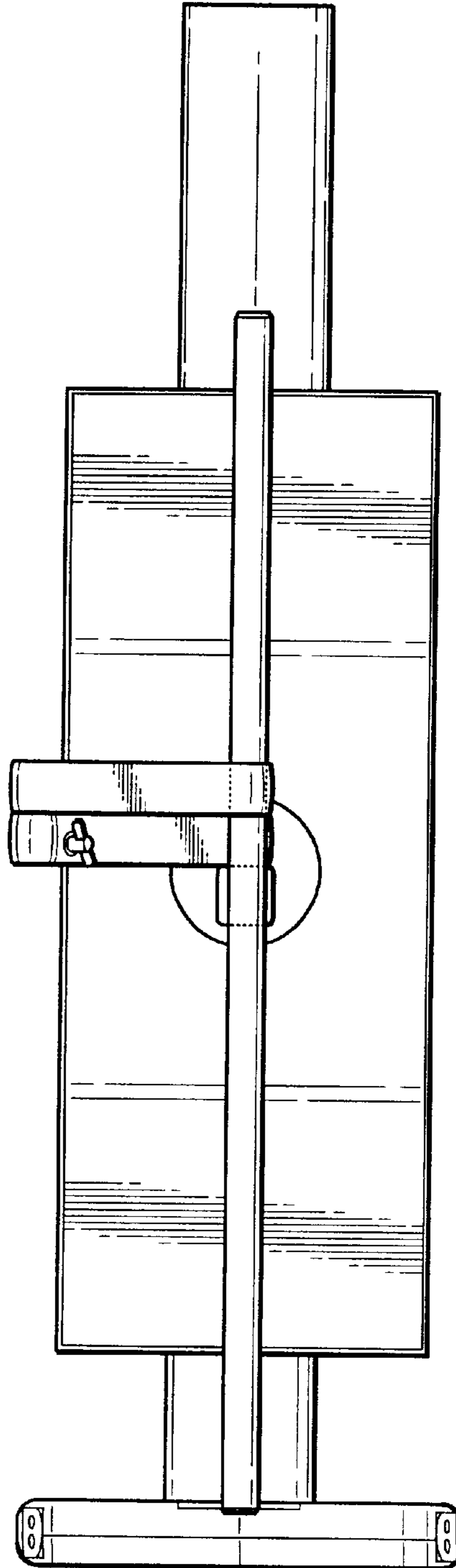


FIG - 5

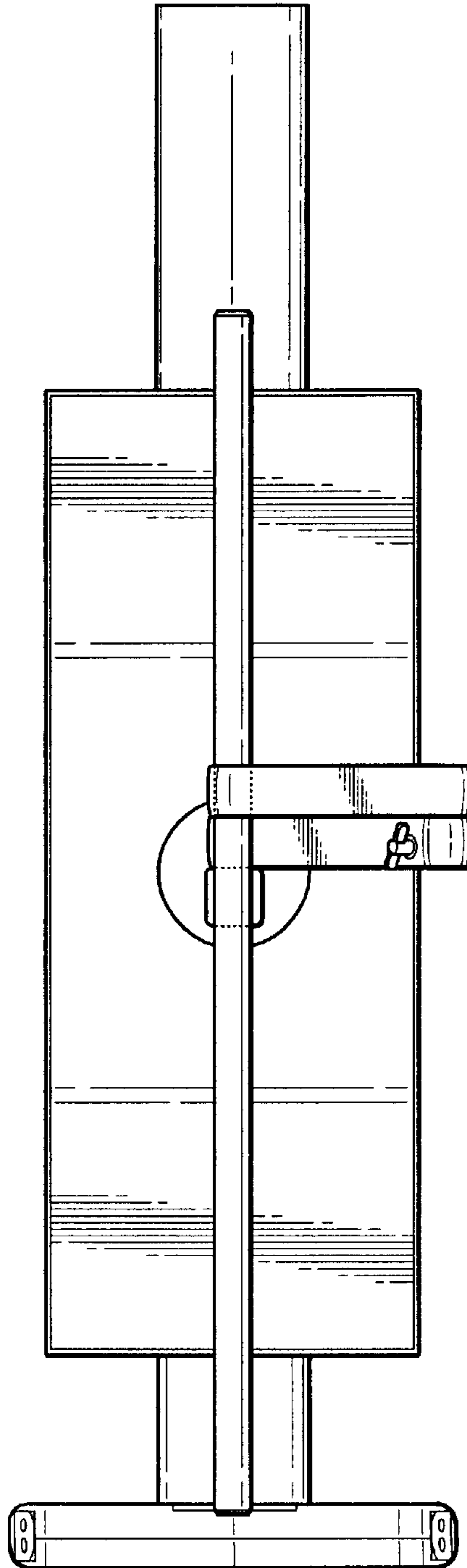


FIG - 6

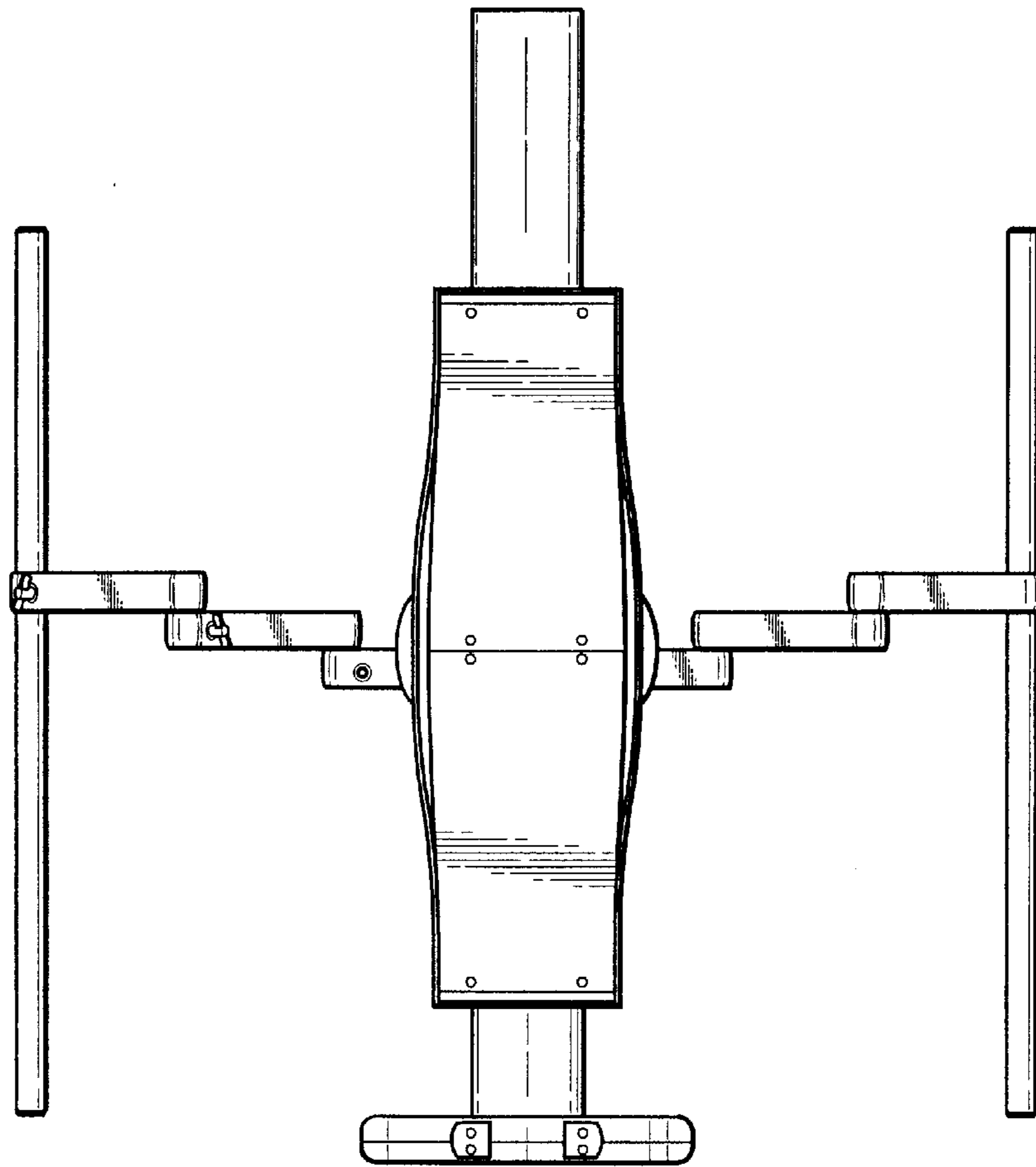


FIG - 7

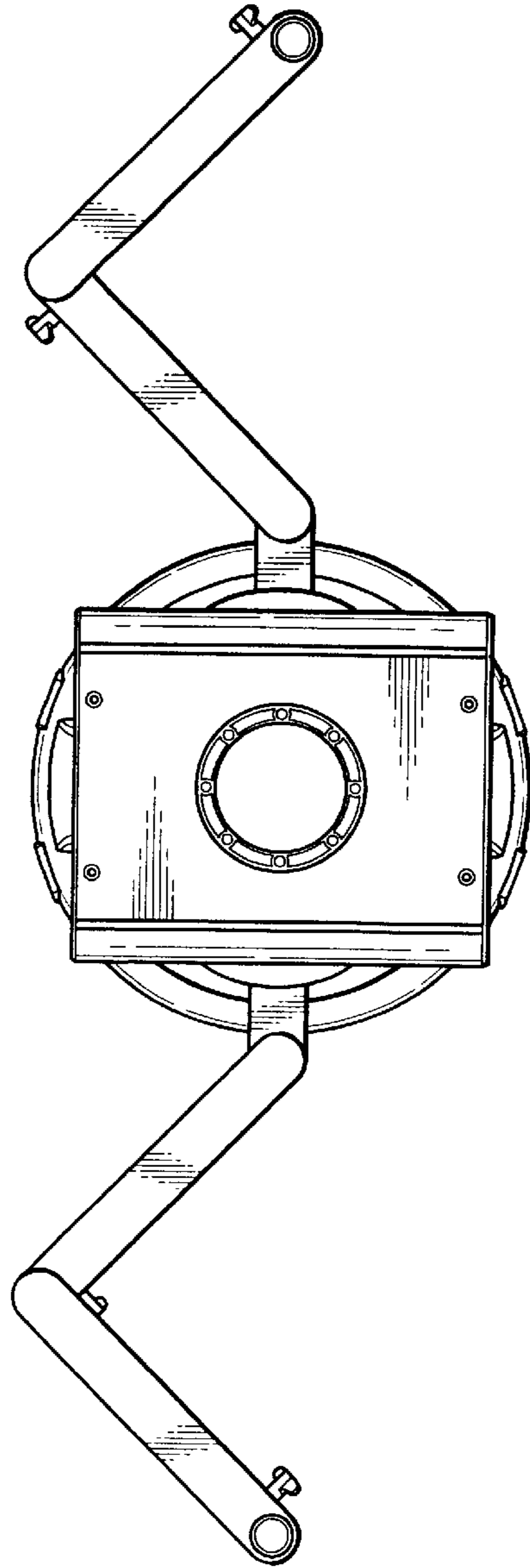


FIG - 8

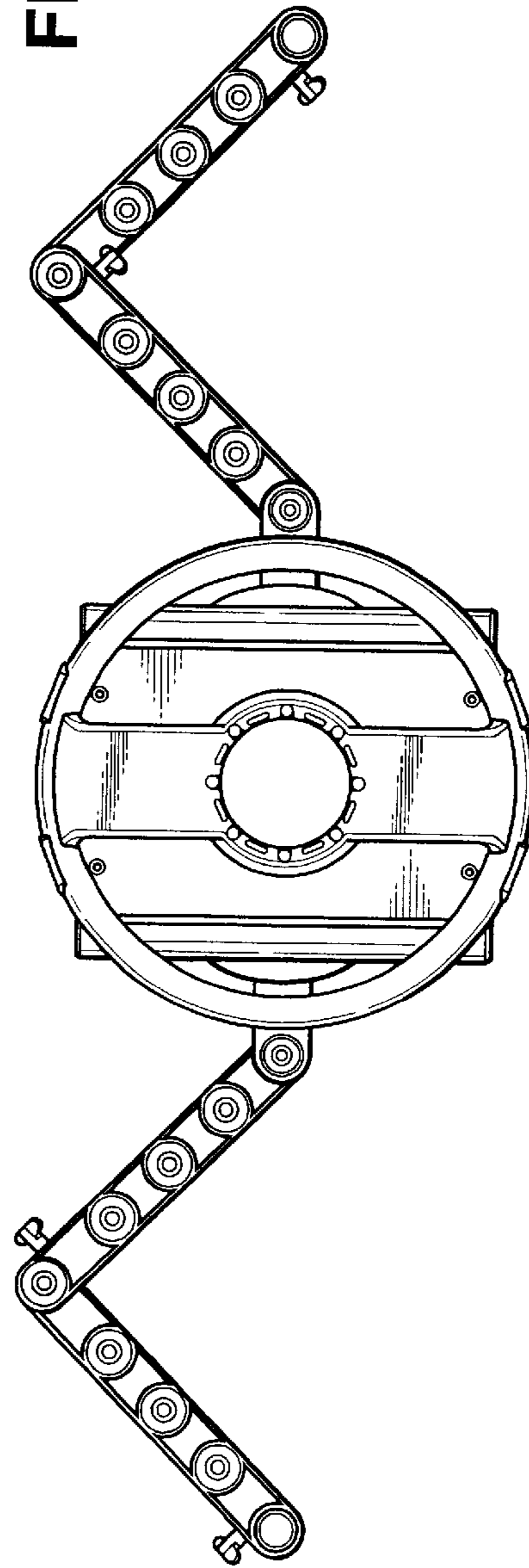


FIG - 9

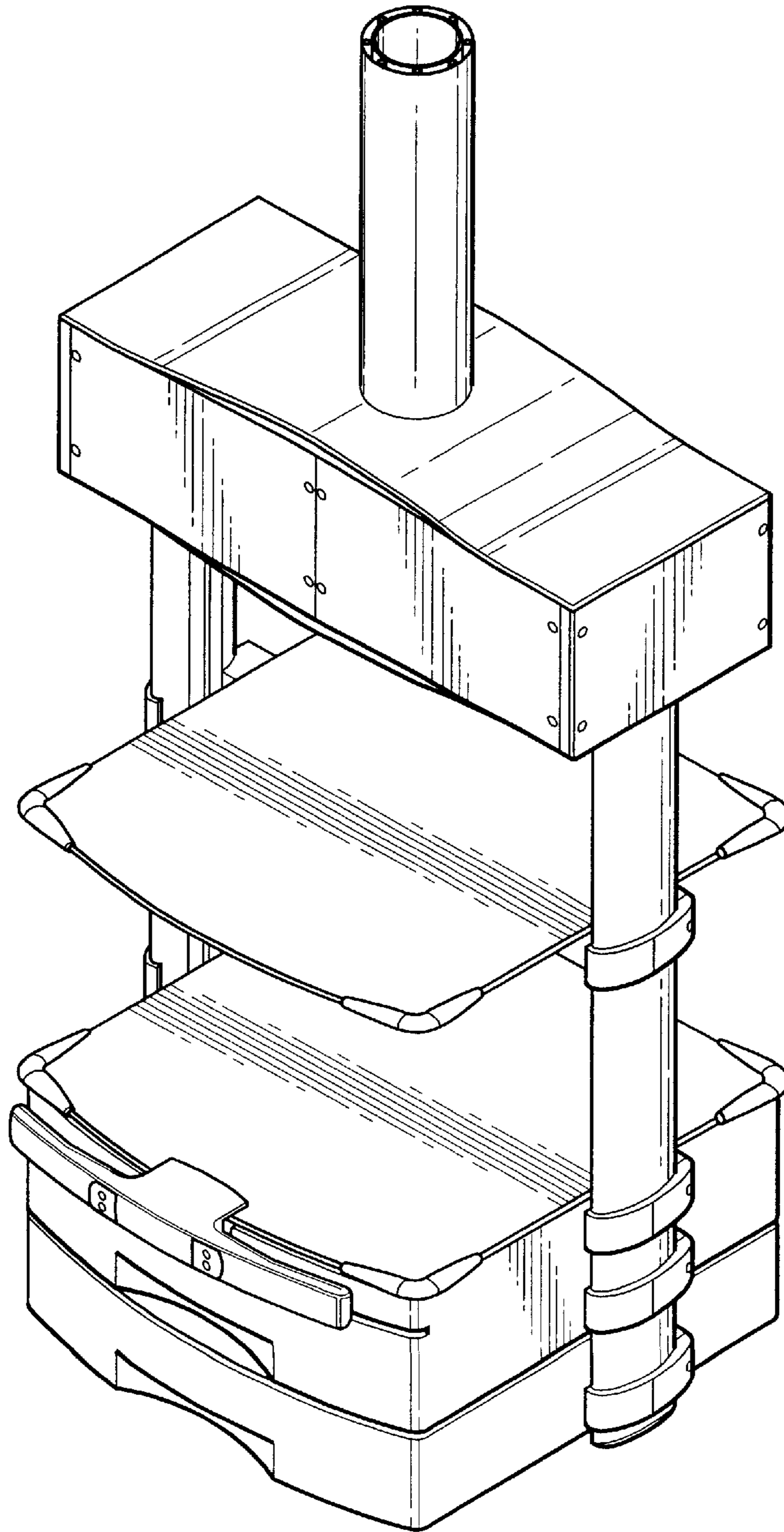


FIG - 10

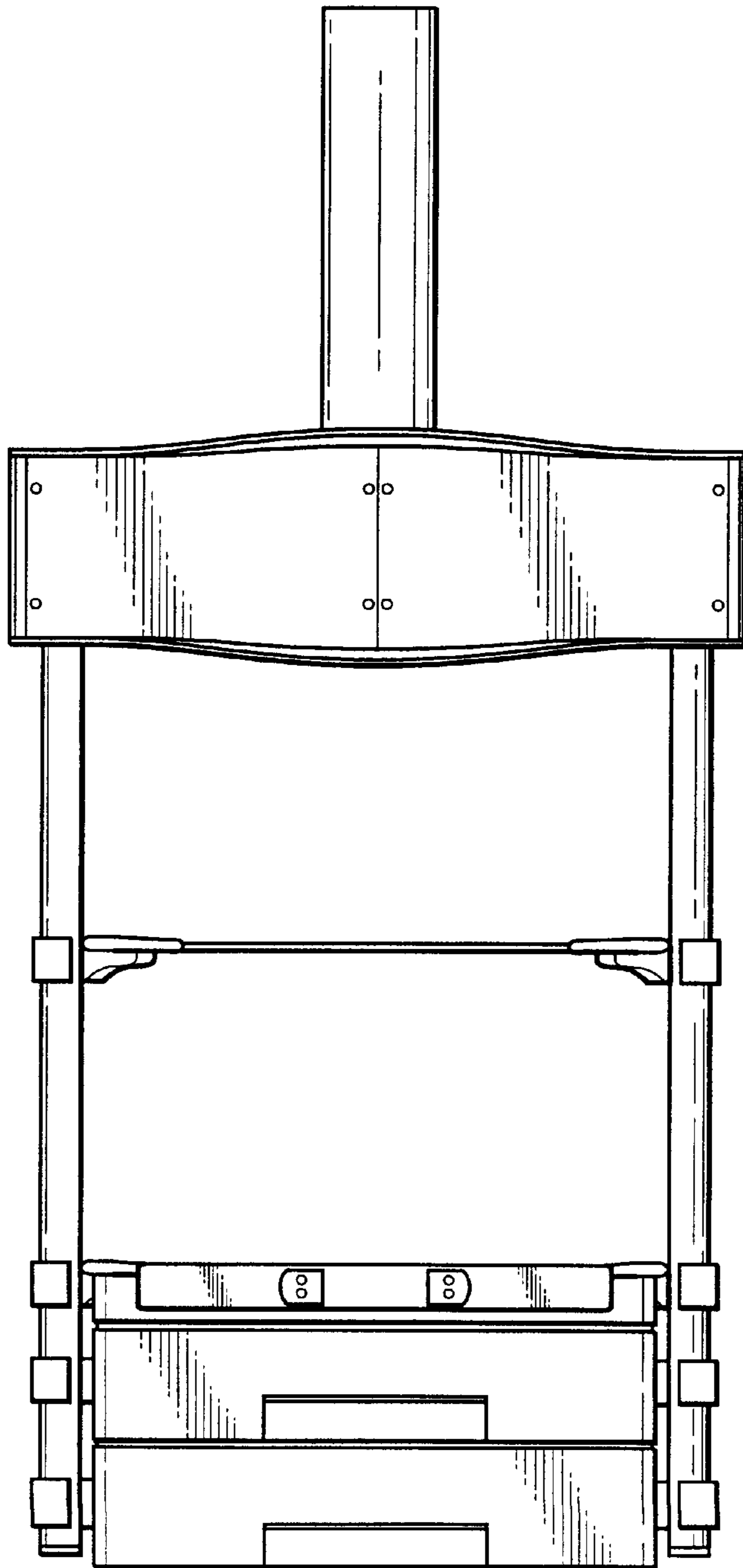


FIG - 11

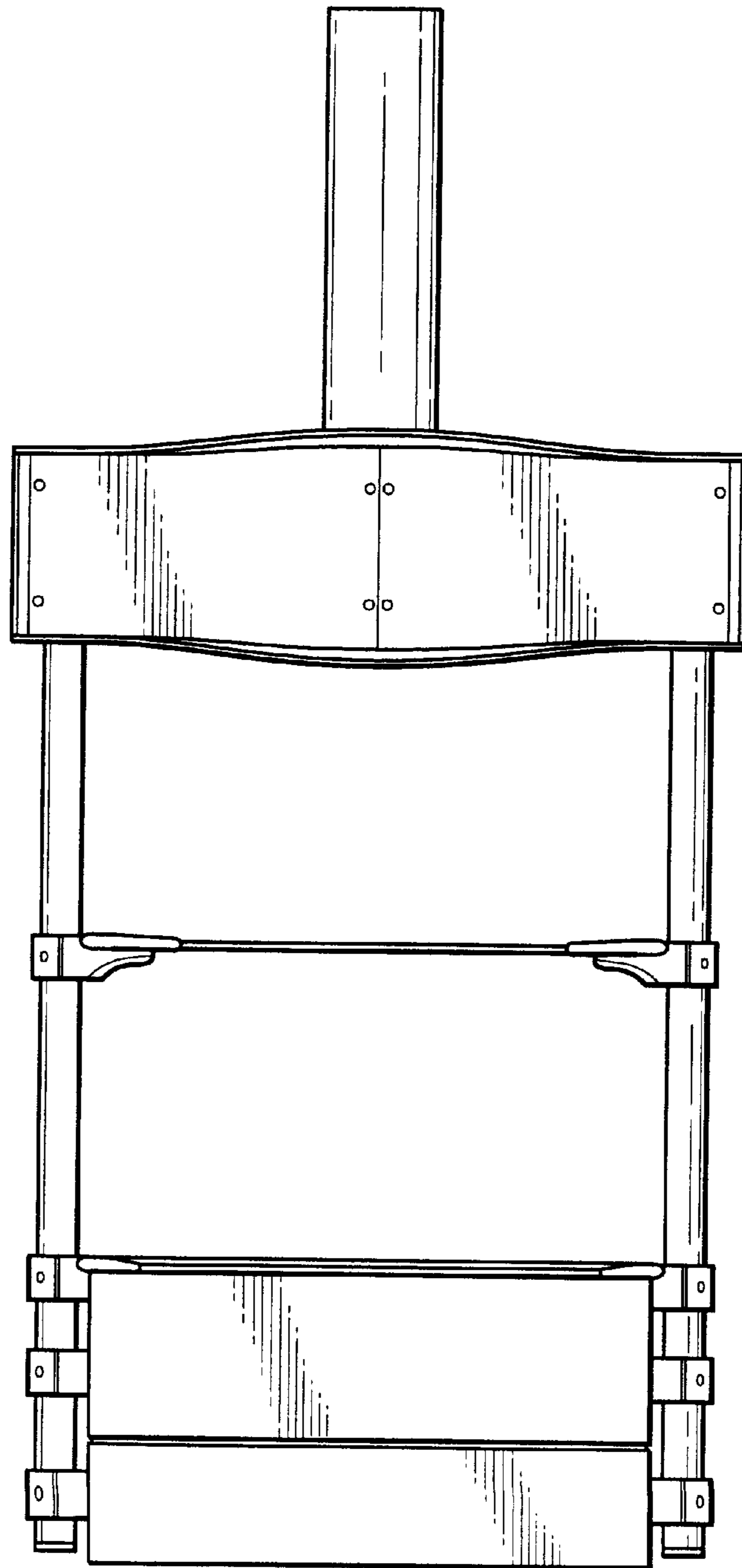


FIG - 12

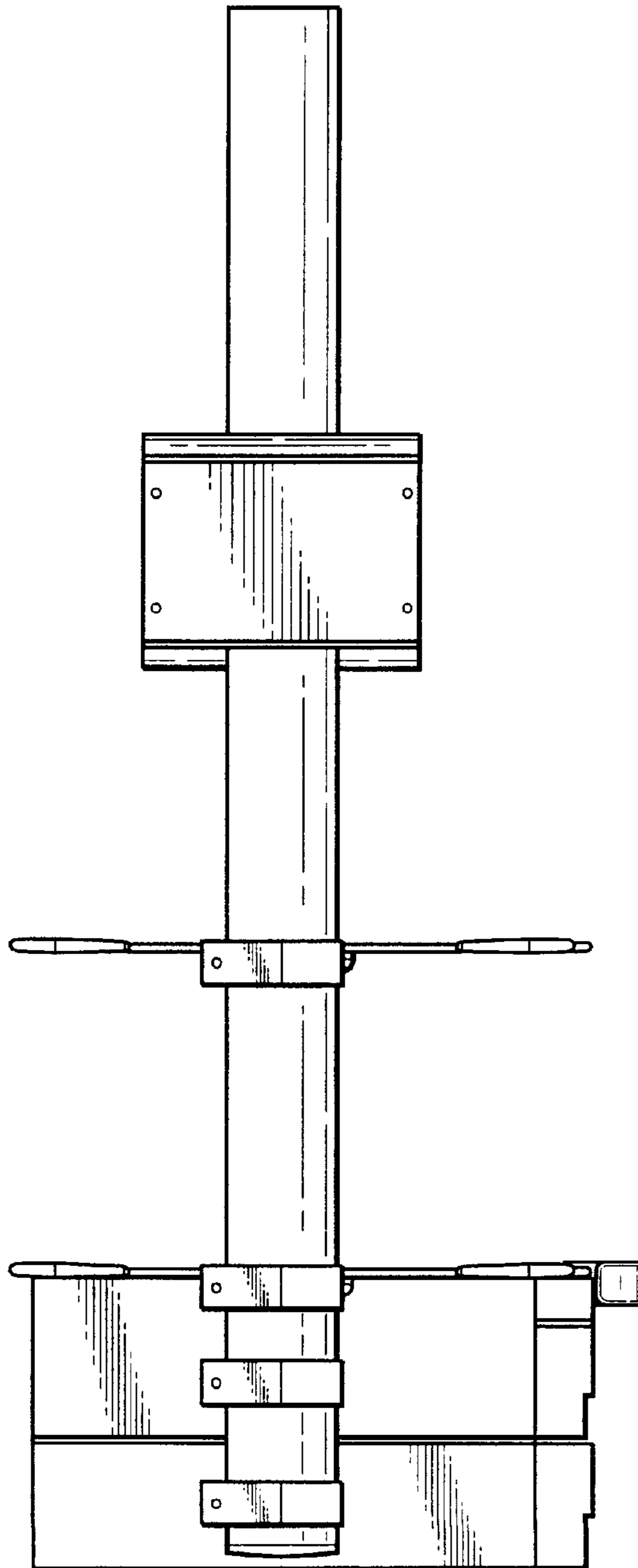


FIG - 13

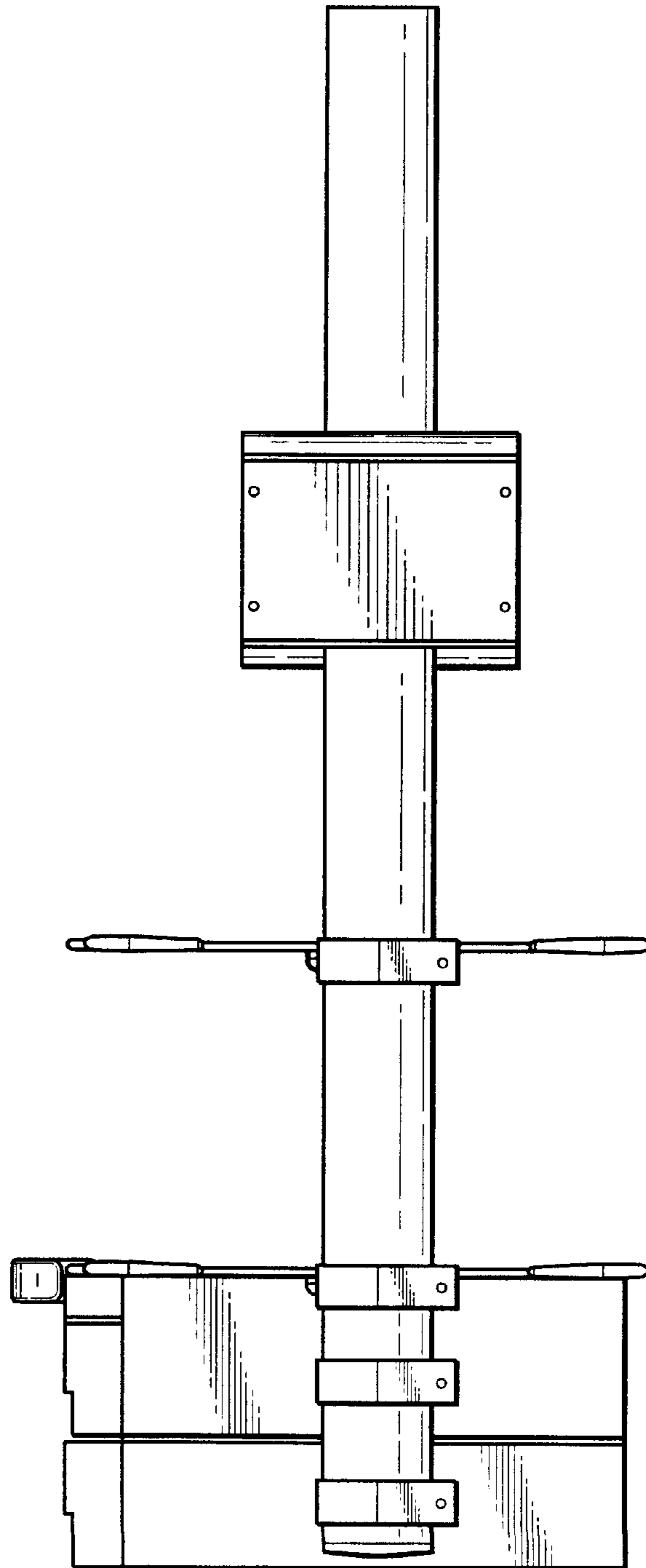


FIG - 14

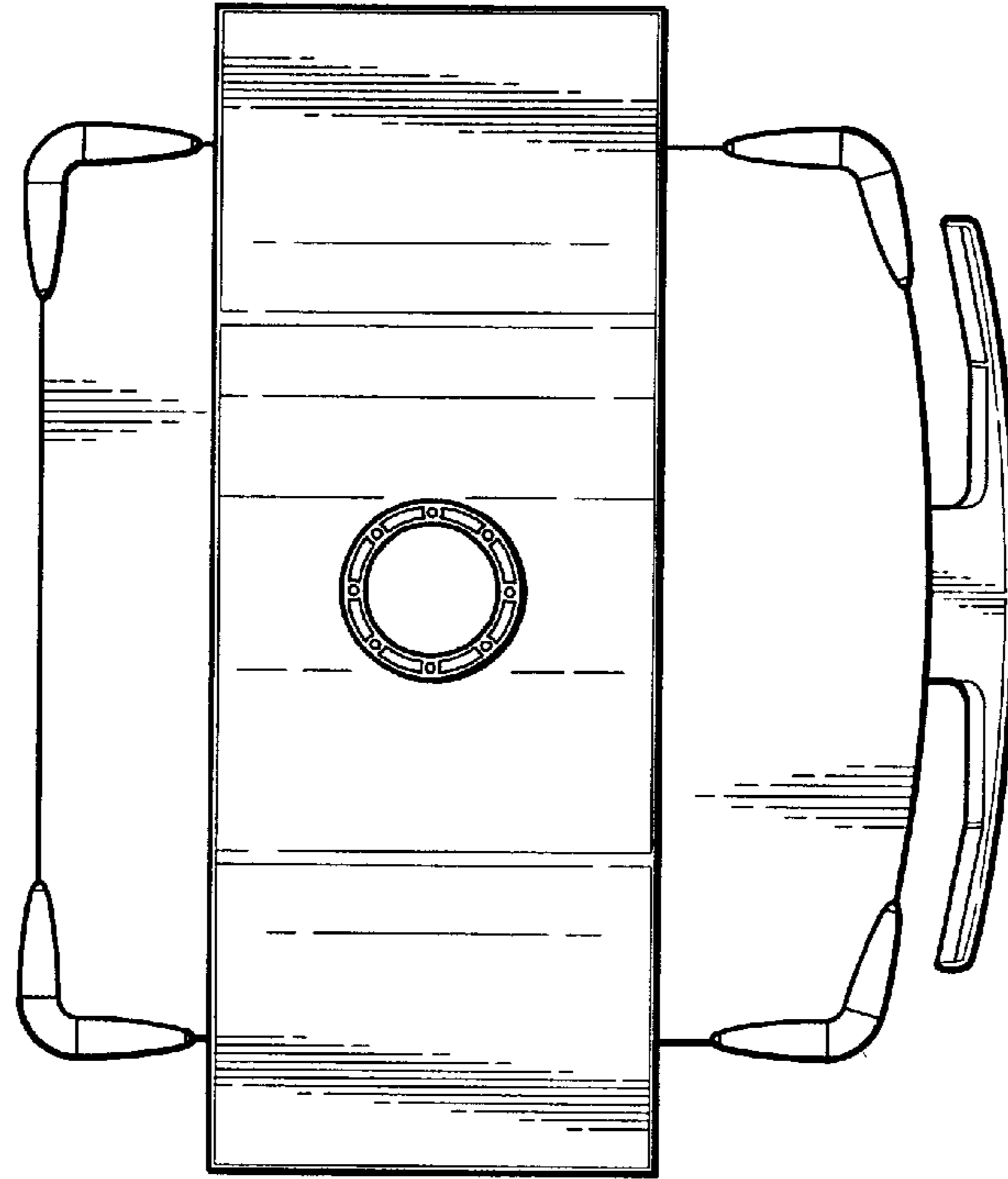
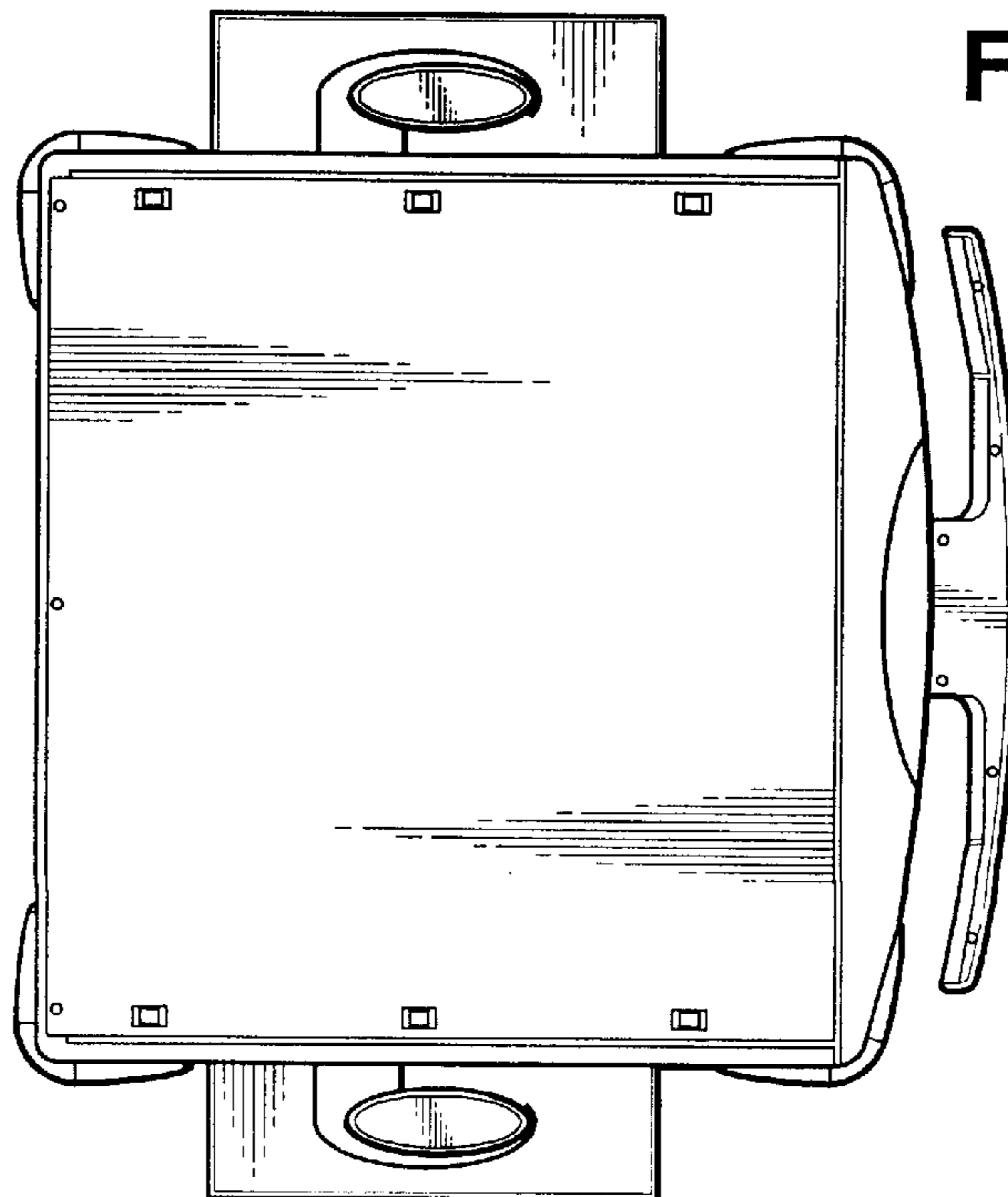


FIG - 15



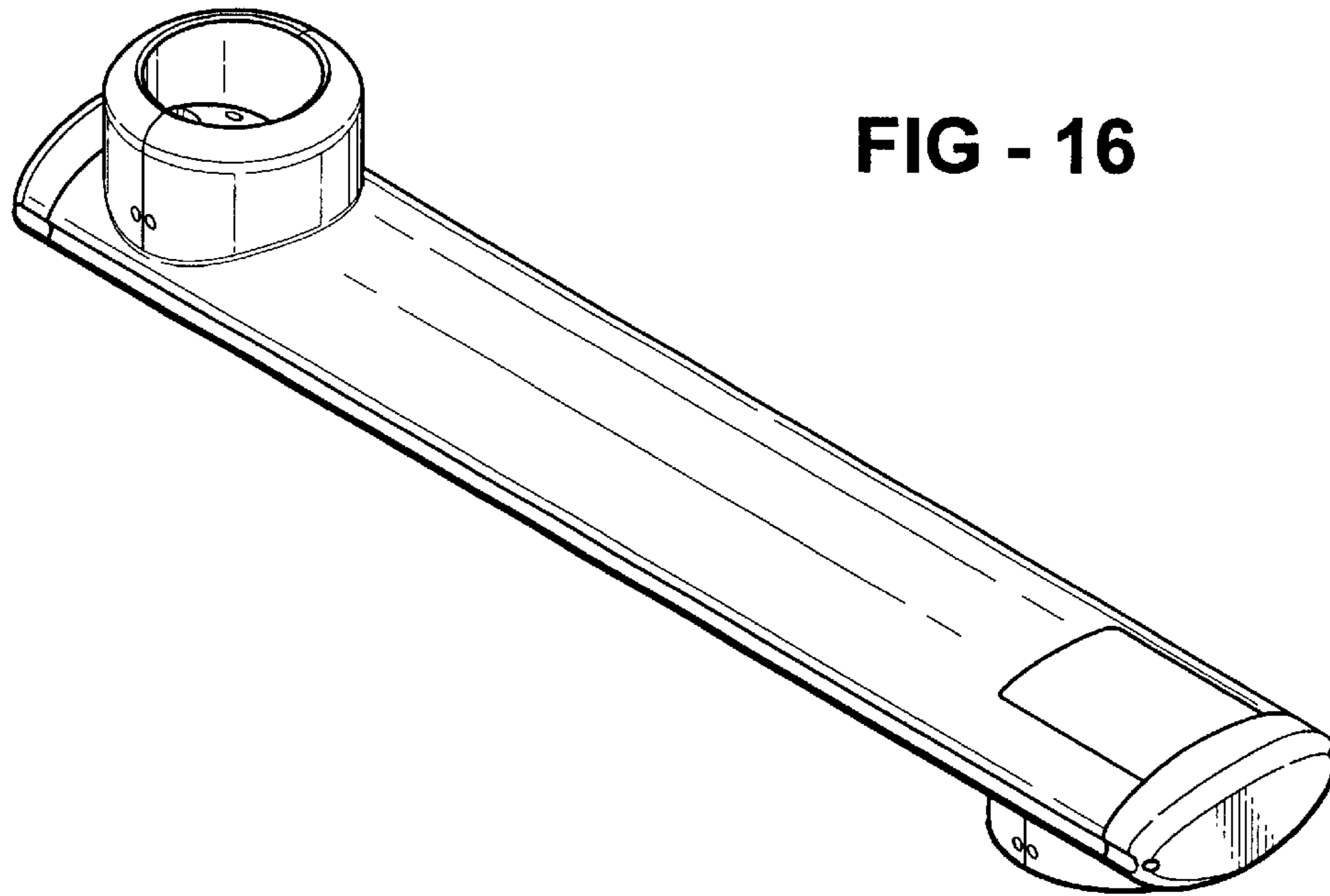


FIG - 16

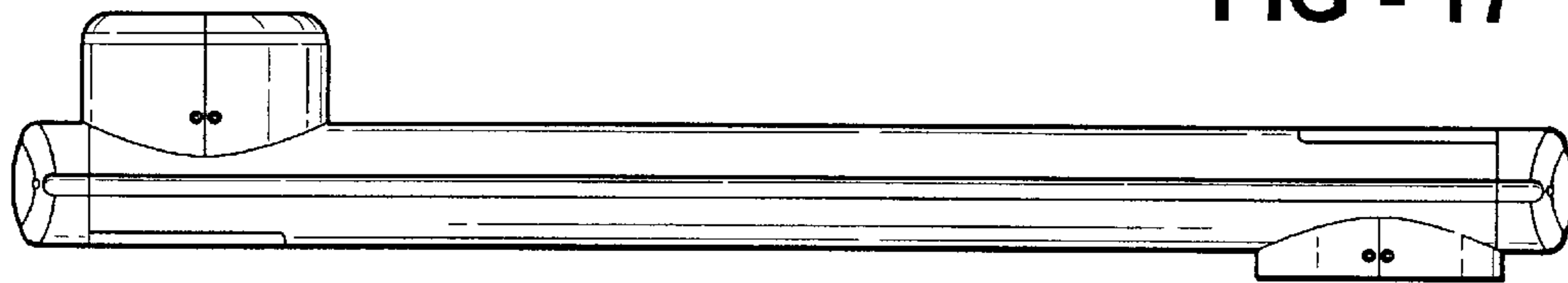


FIG - 17

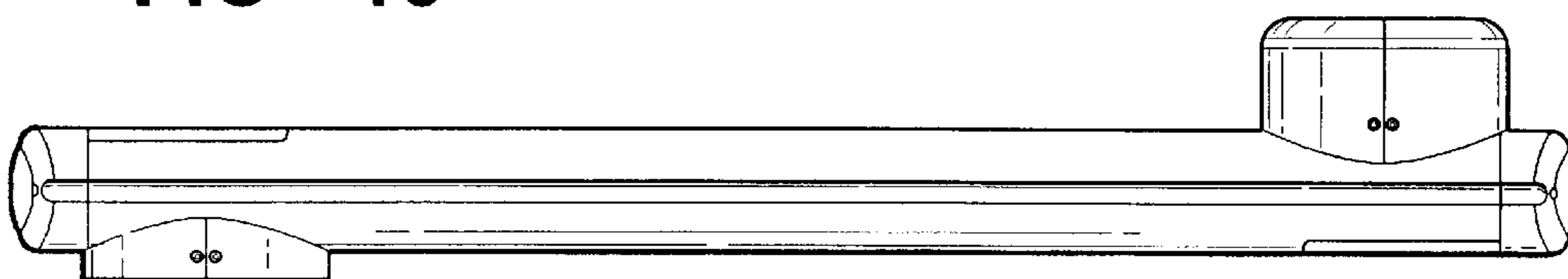


FIG - 18

FIG - 19

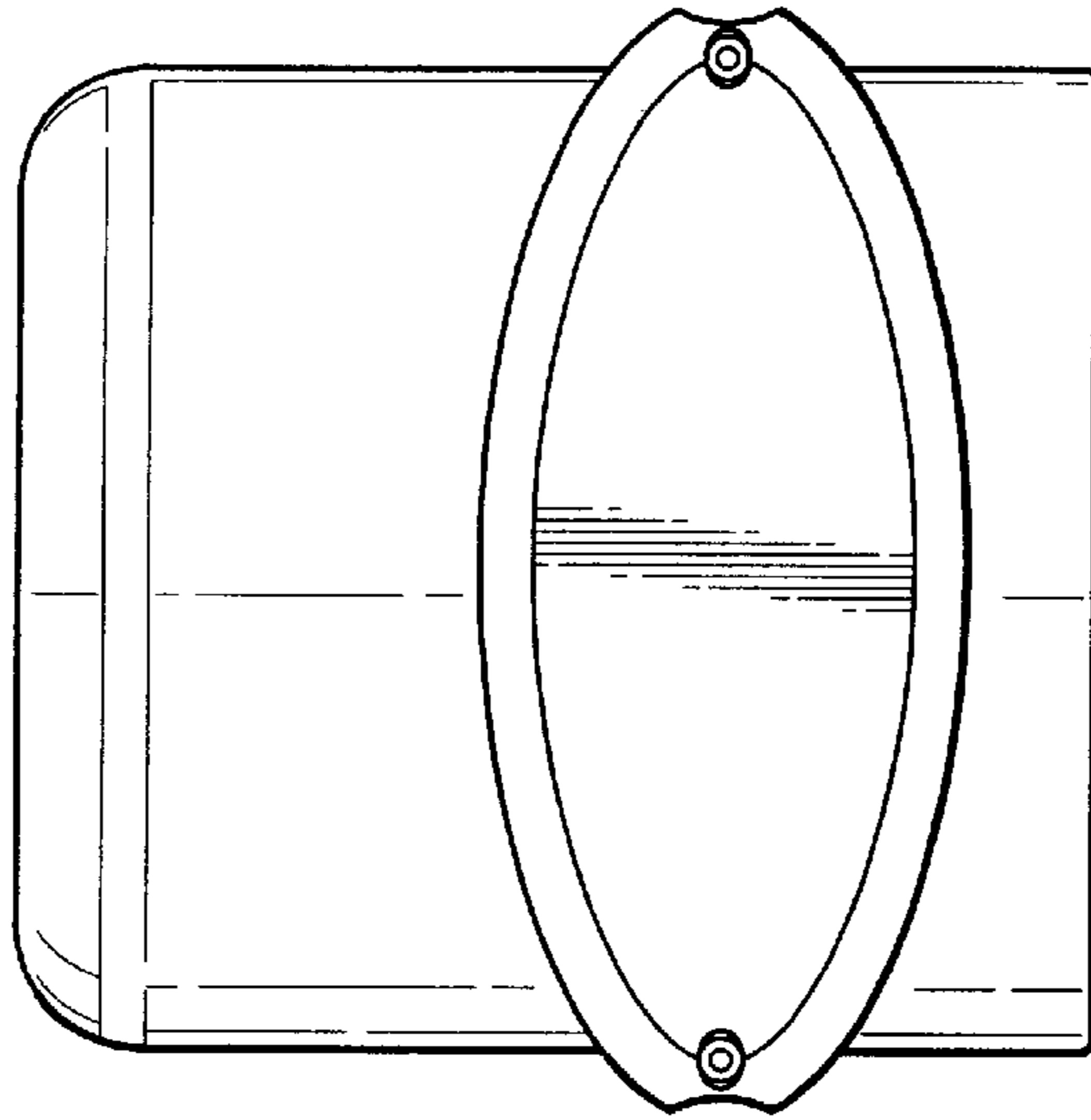


FIG - 20

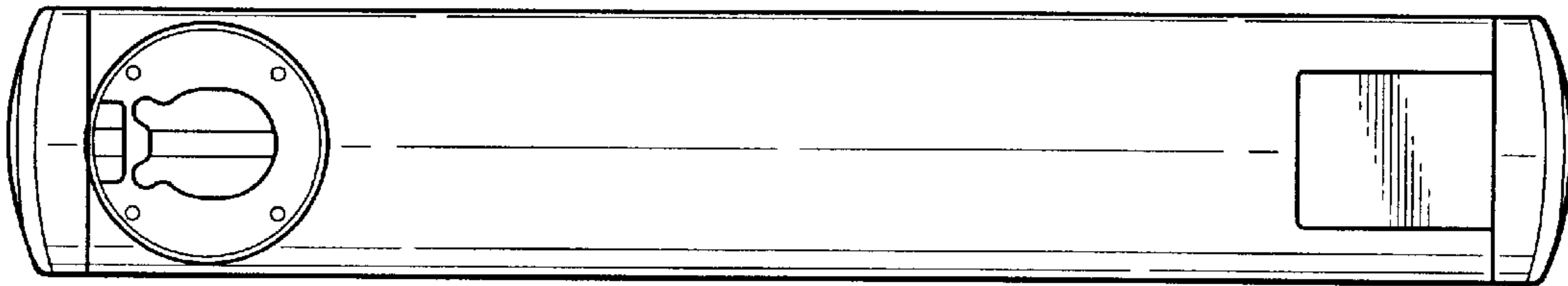
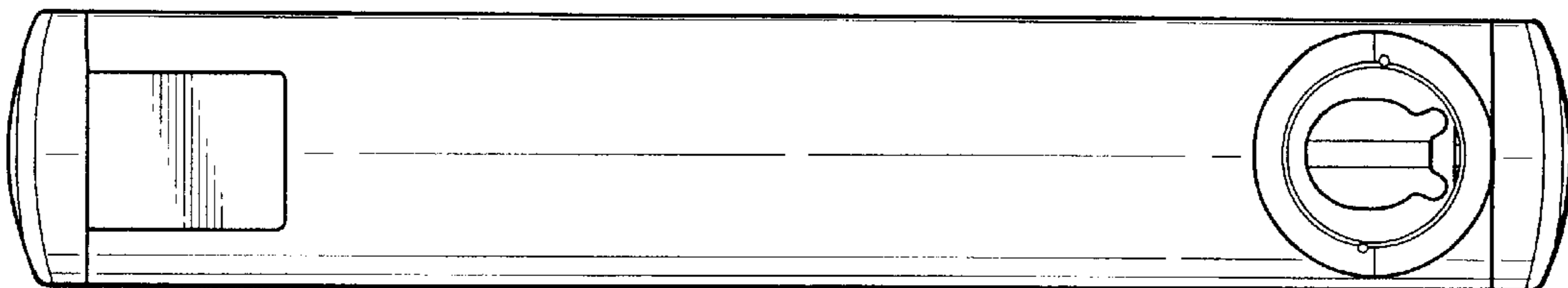


FIG - 21



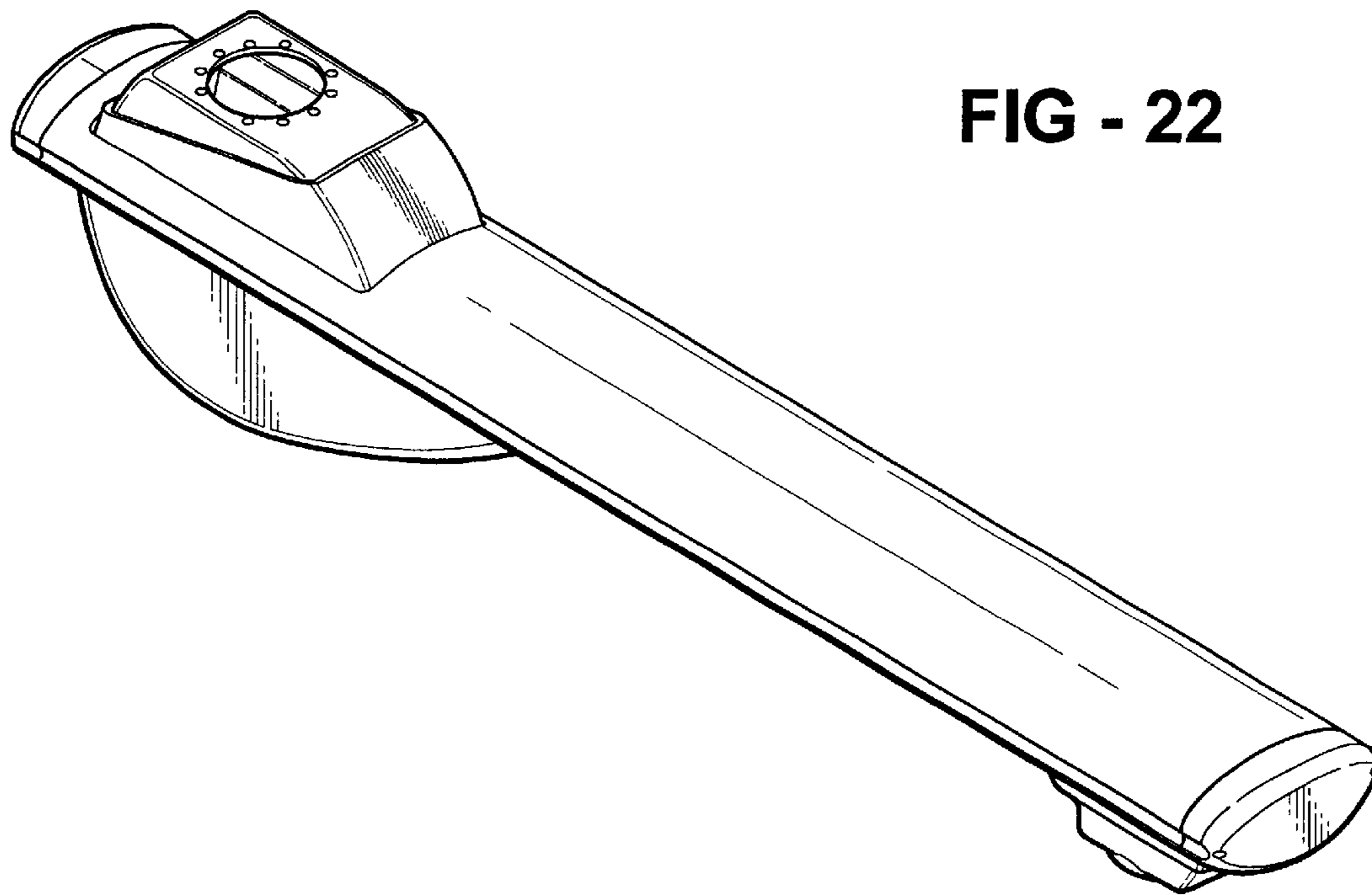


FIG - 22

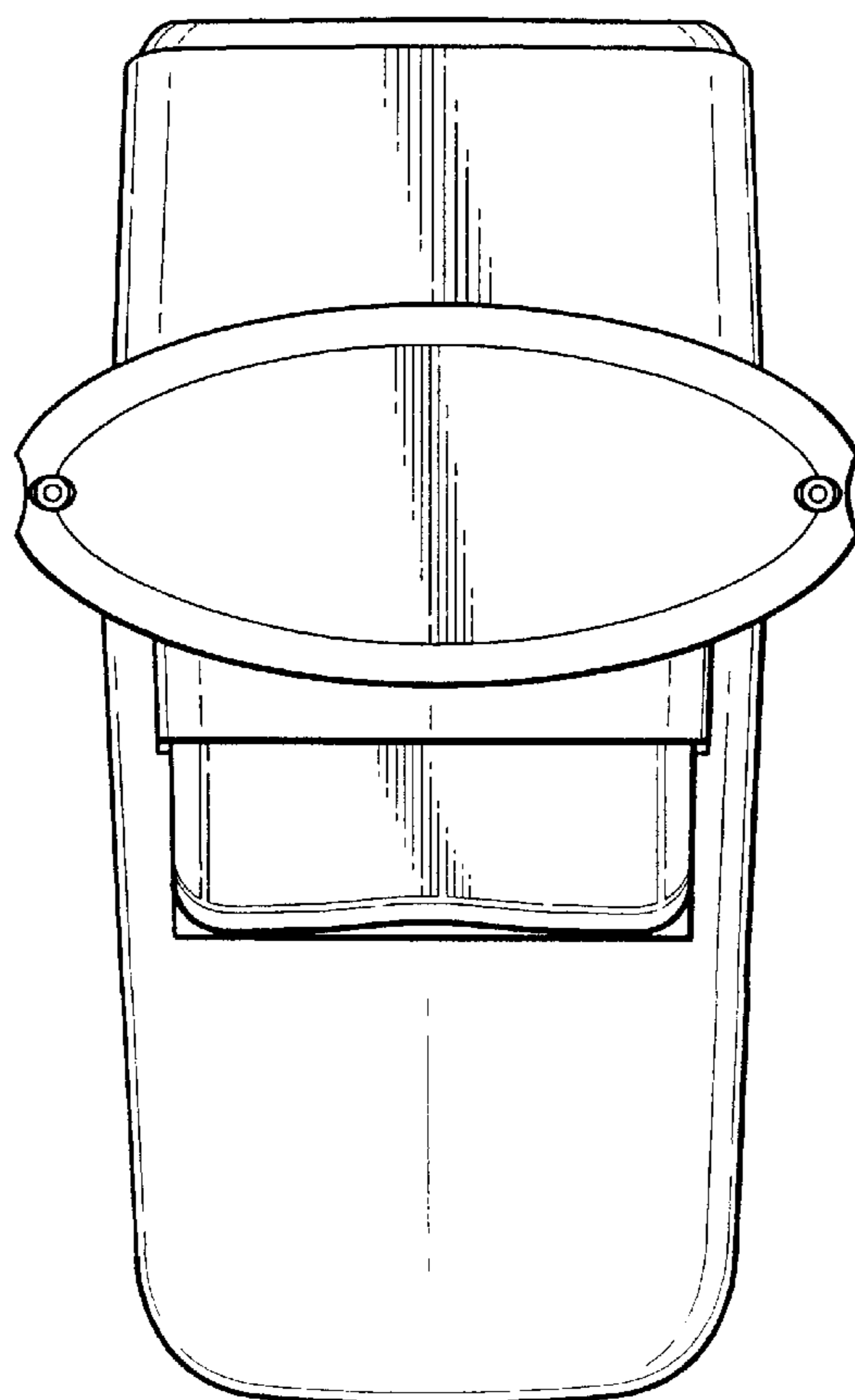


FIG - 23

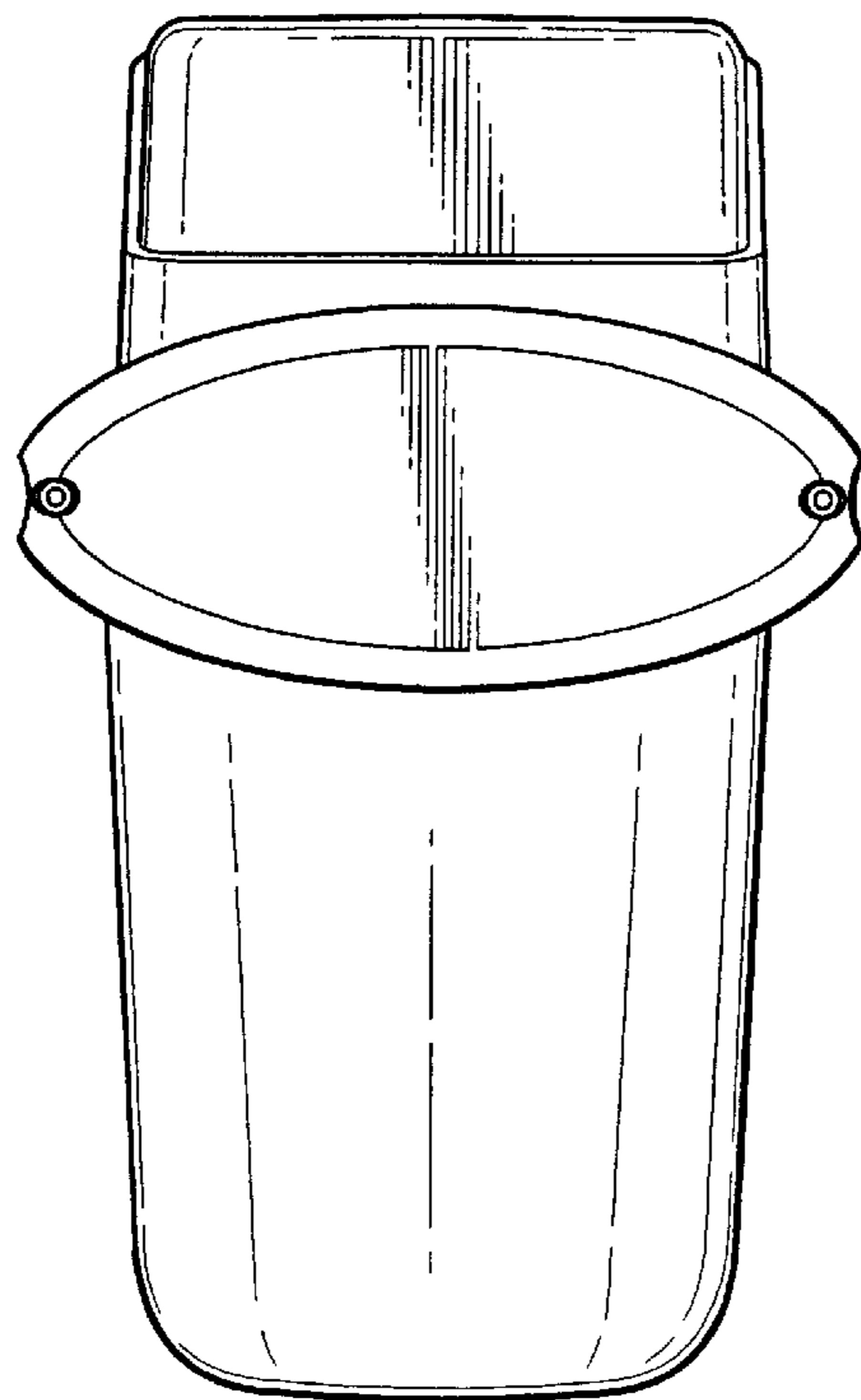


FIG - 24

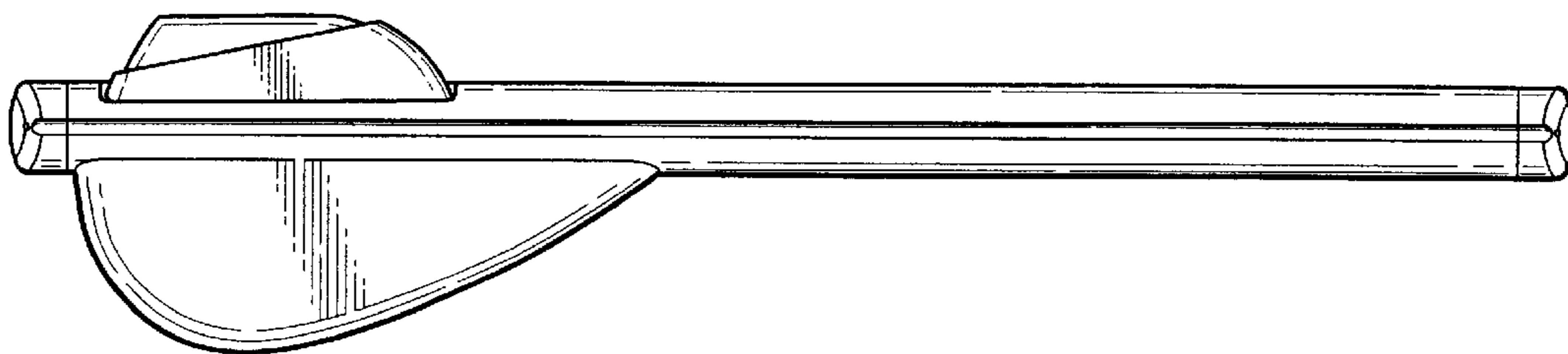


FIG - 25

FIG - 26

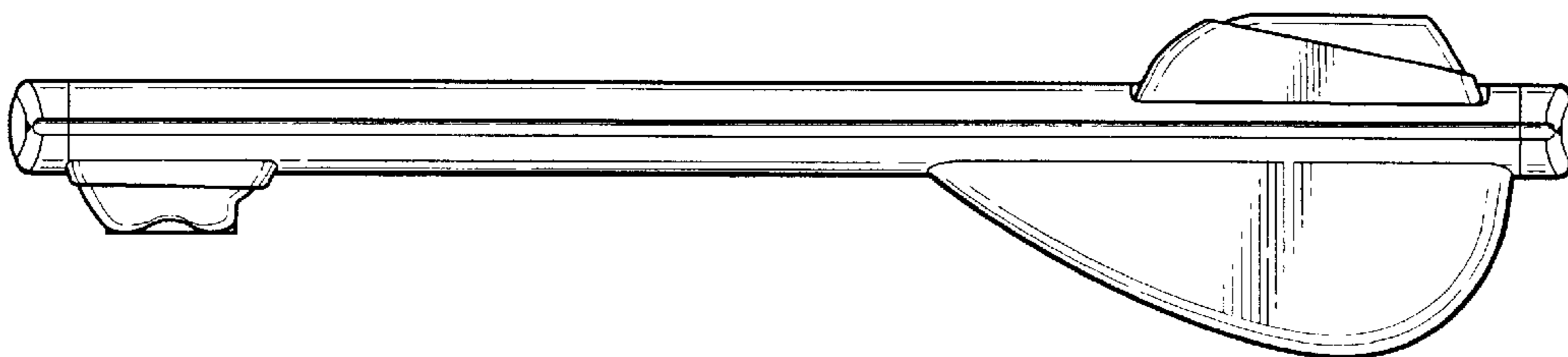


FIG - 27

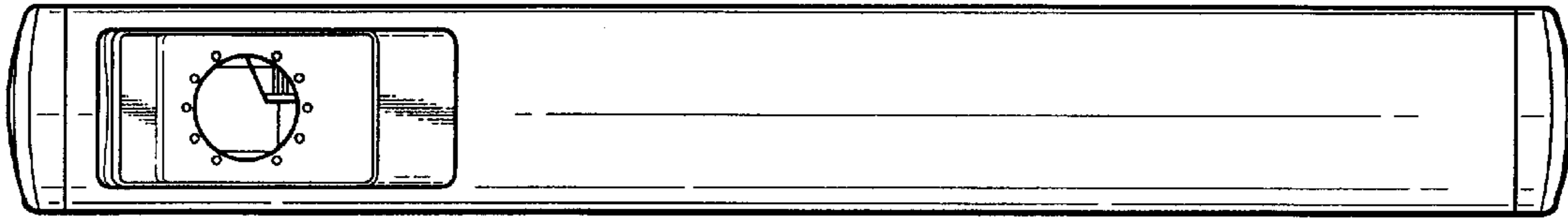


FIG - 28

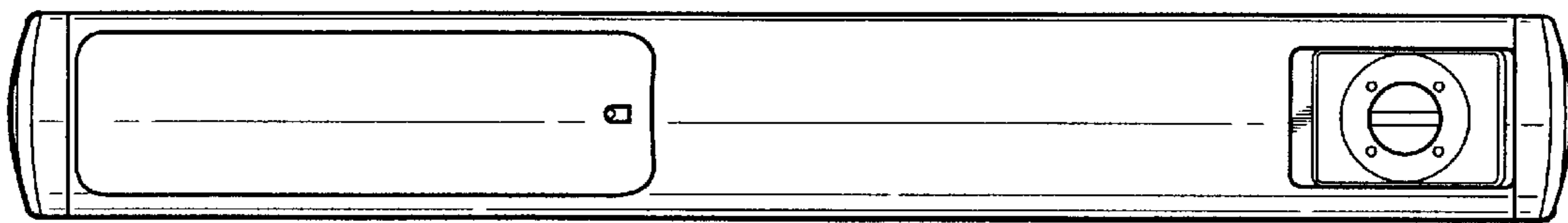


FIG - 29

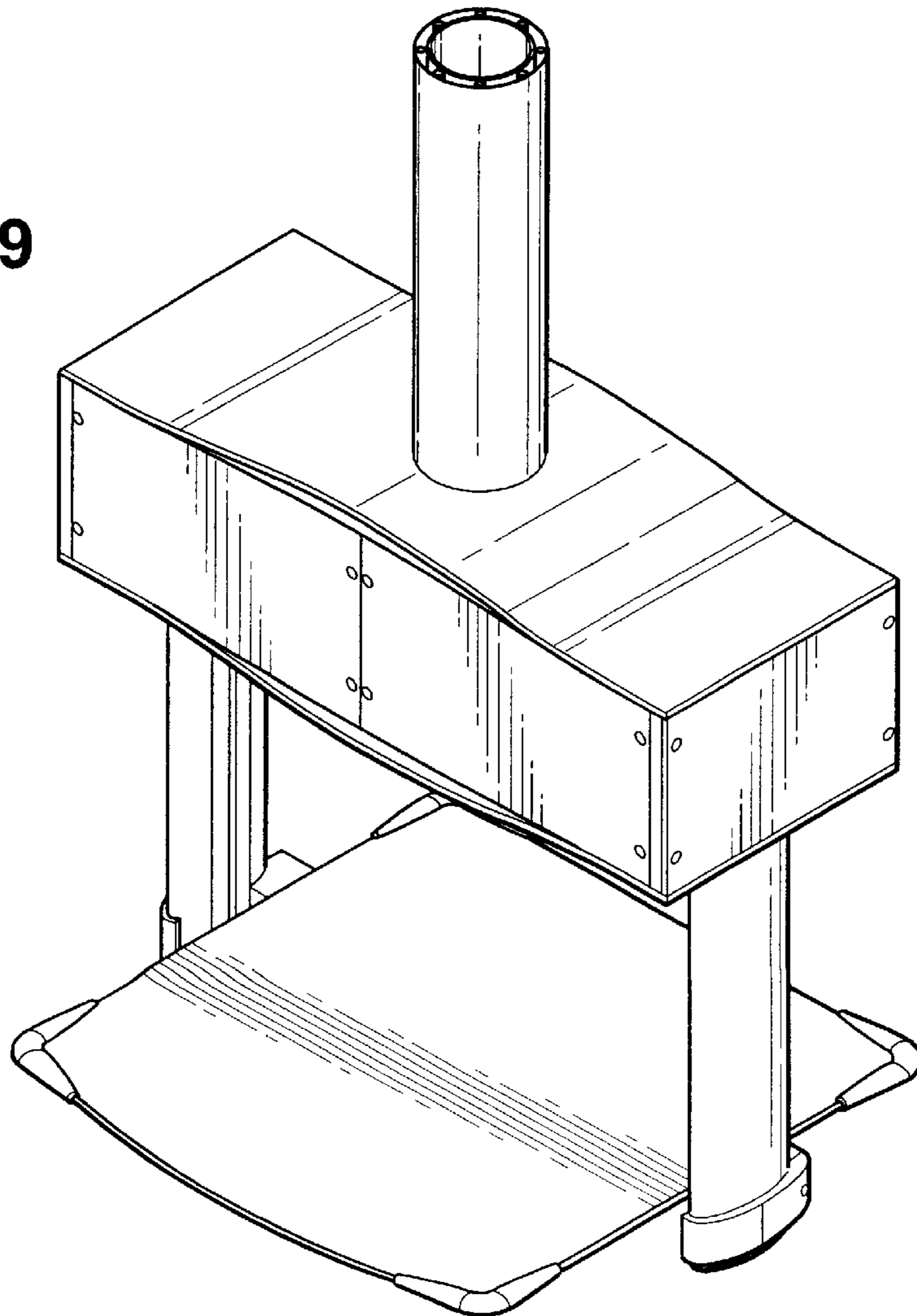


FIG - 30

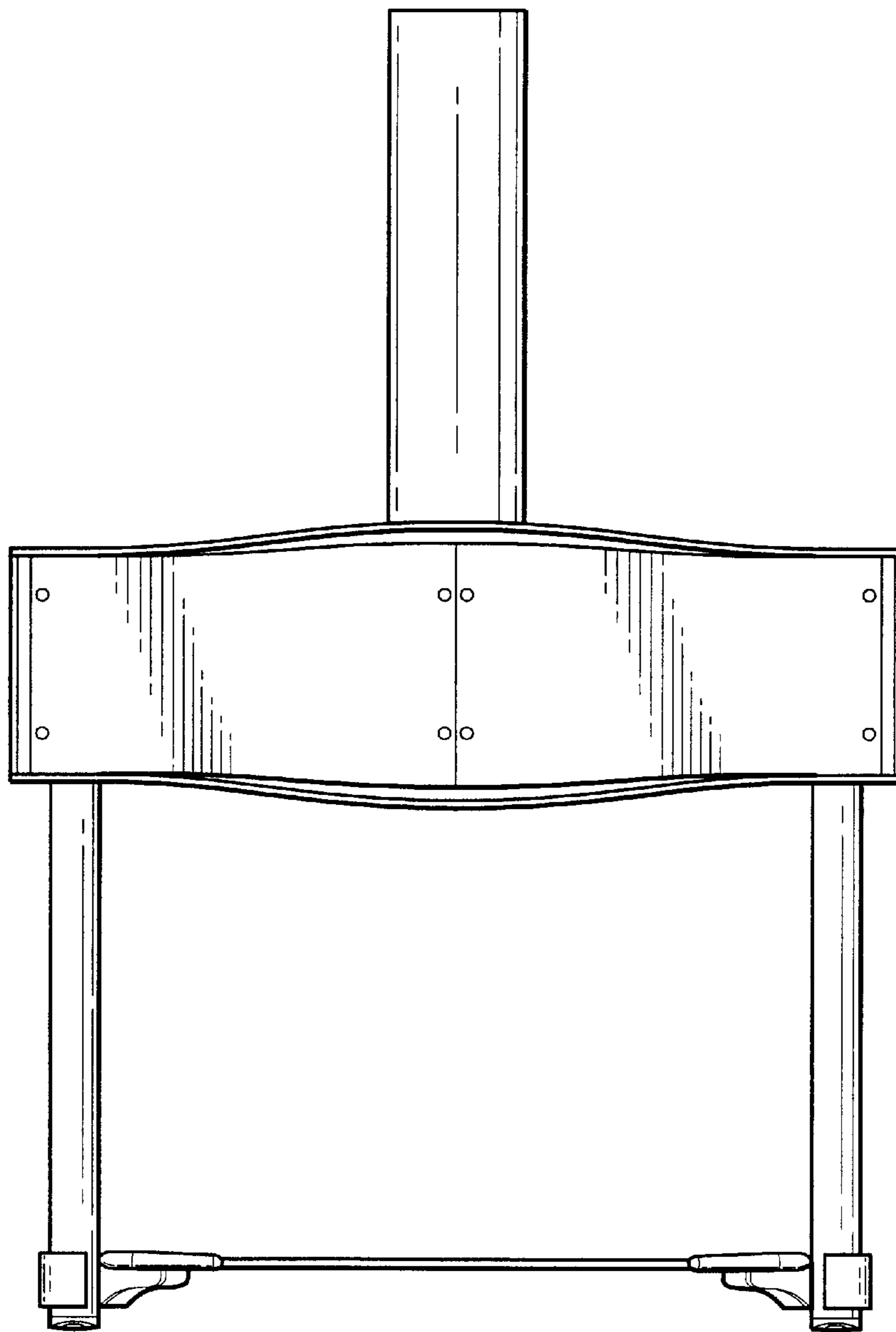


FIG - 31

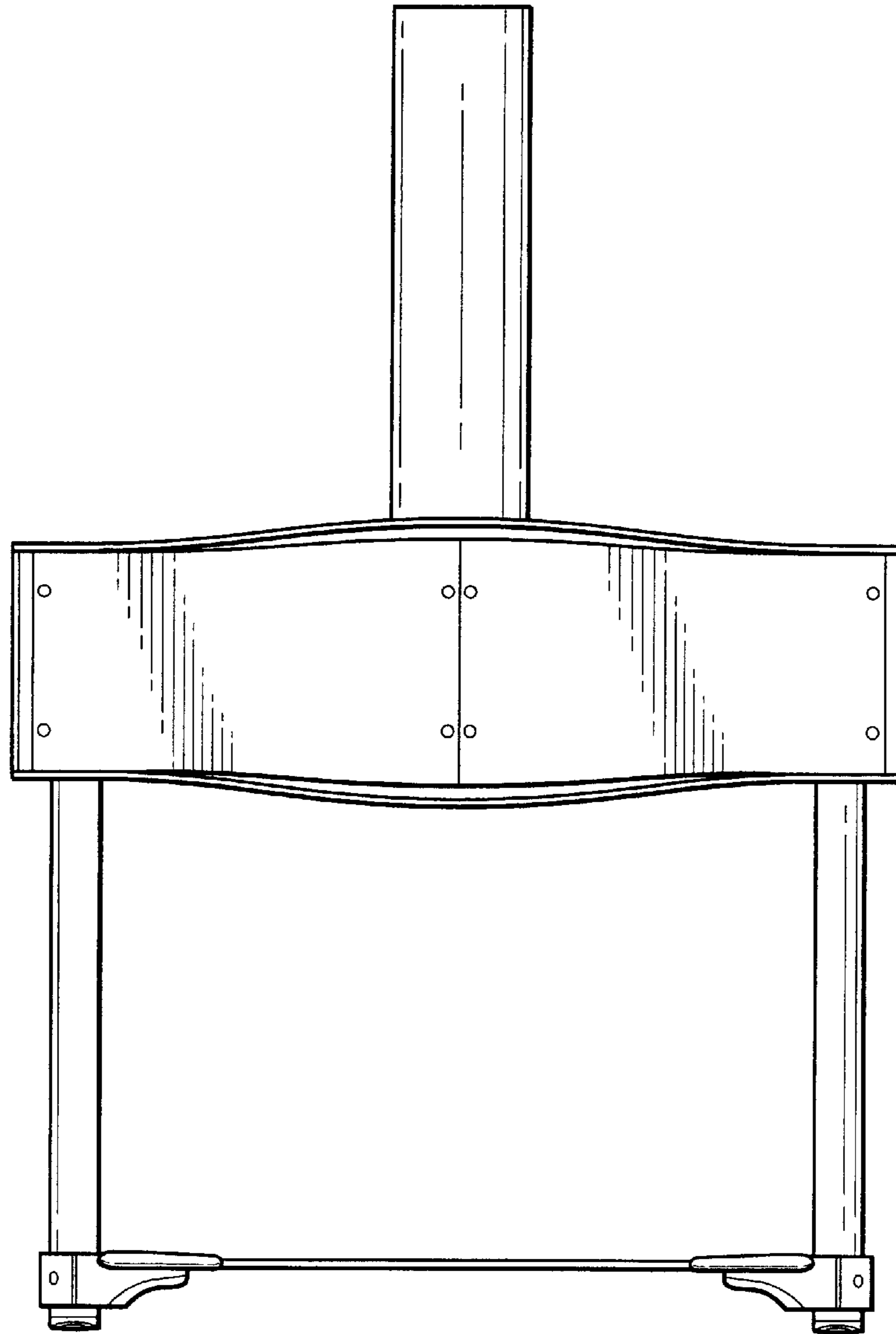


FIG - 32

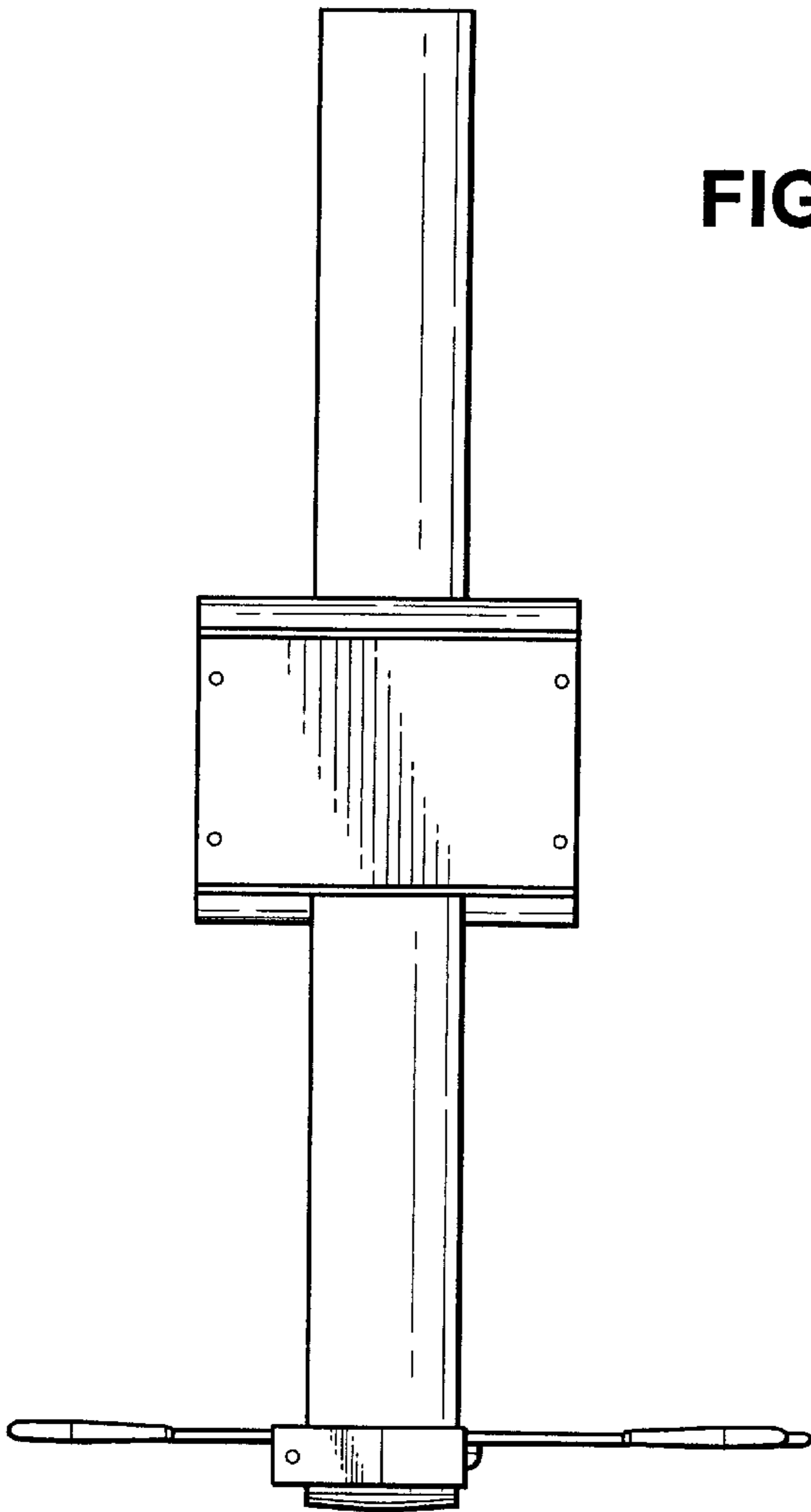


FIG - 33

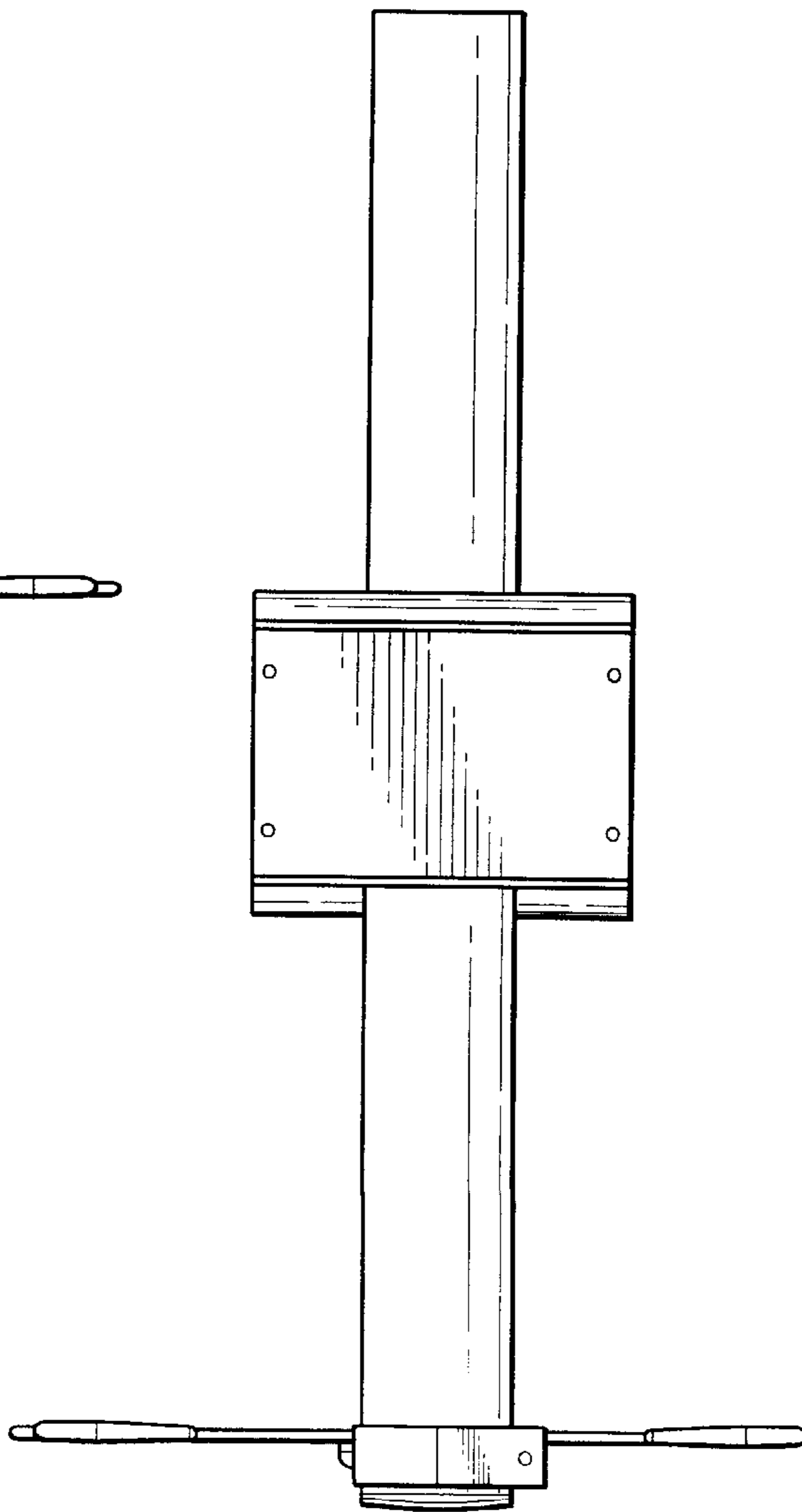


FIG - 34

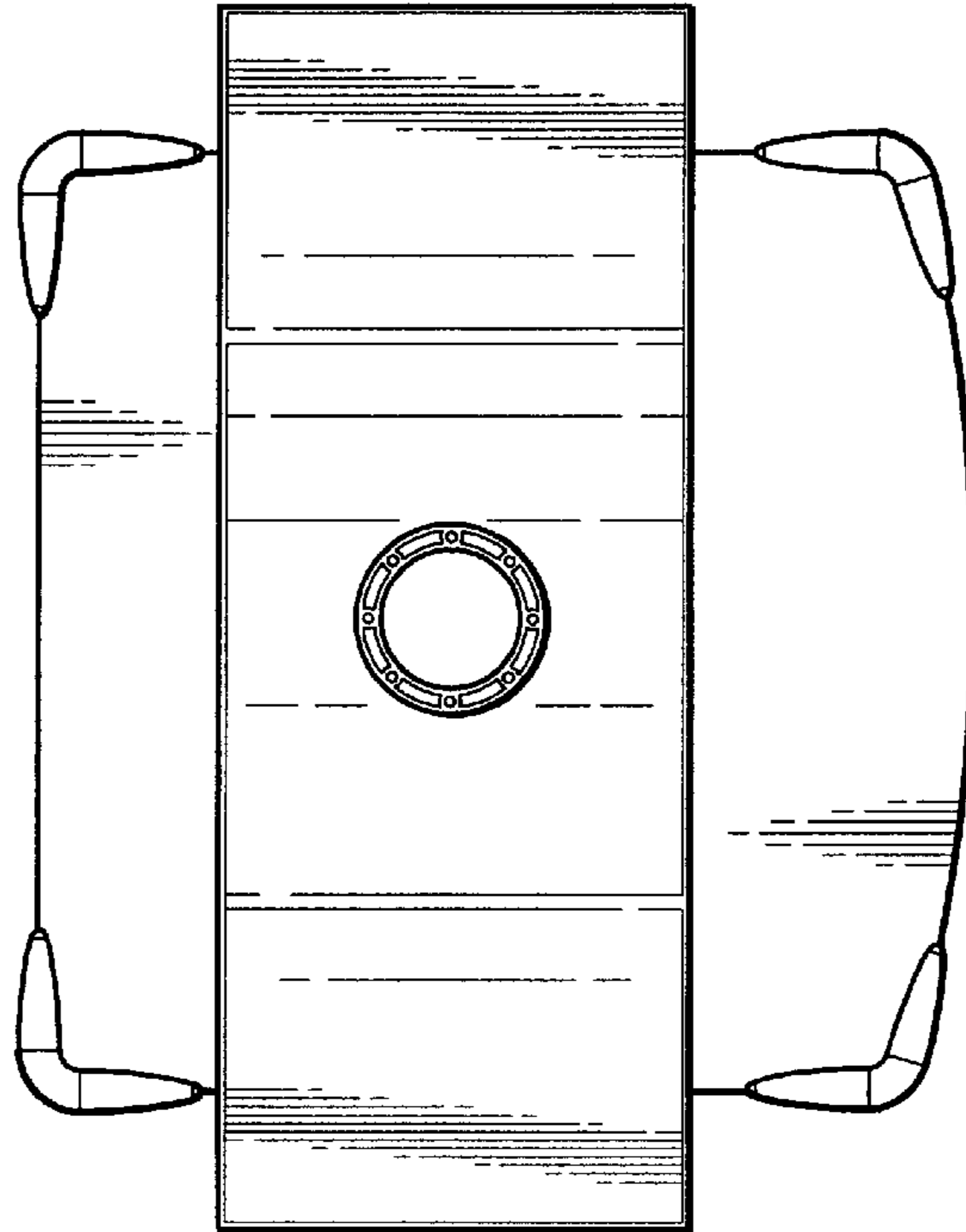


FIG - 35

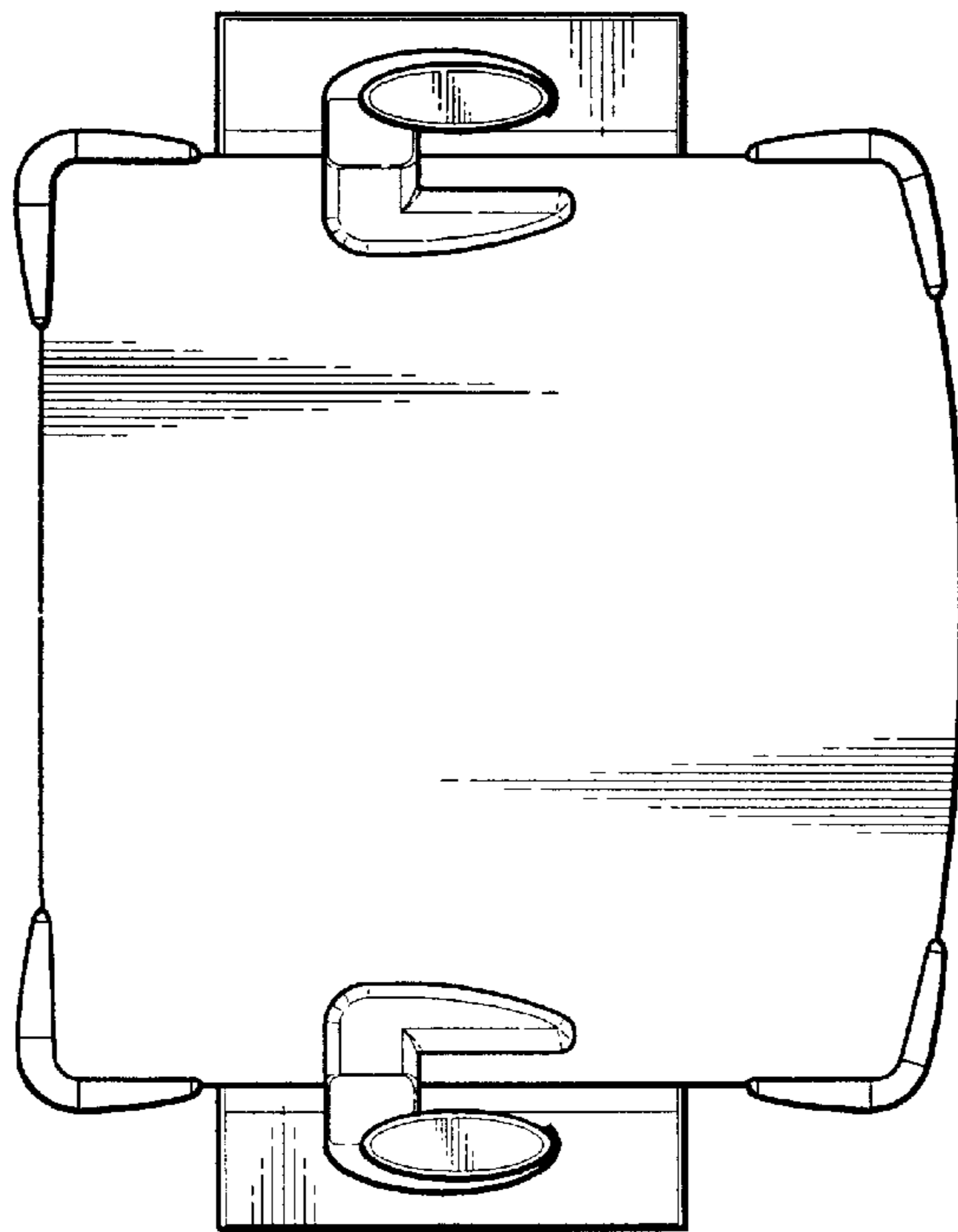


FIG - 36

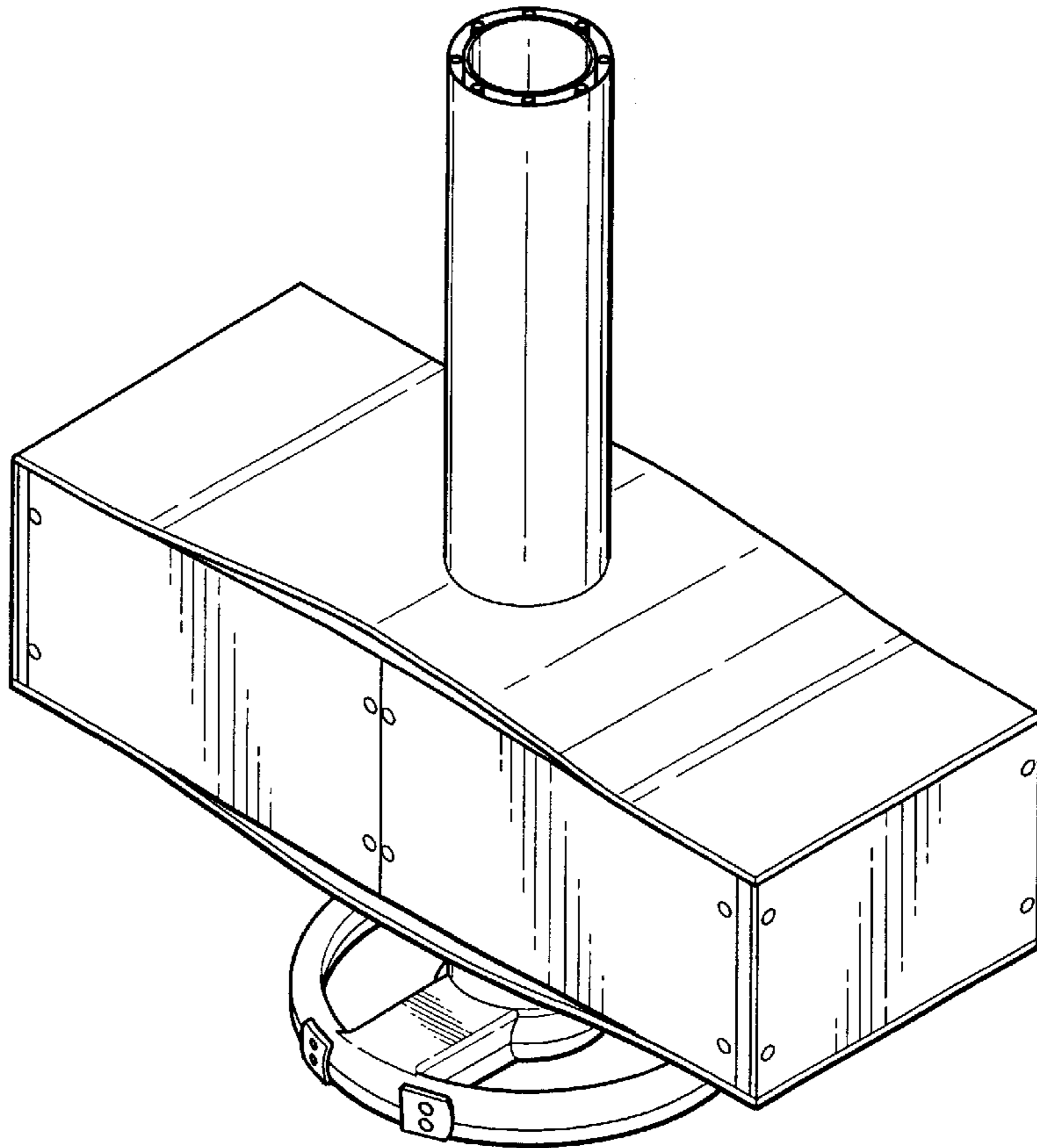


FIG - 37

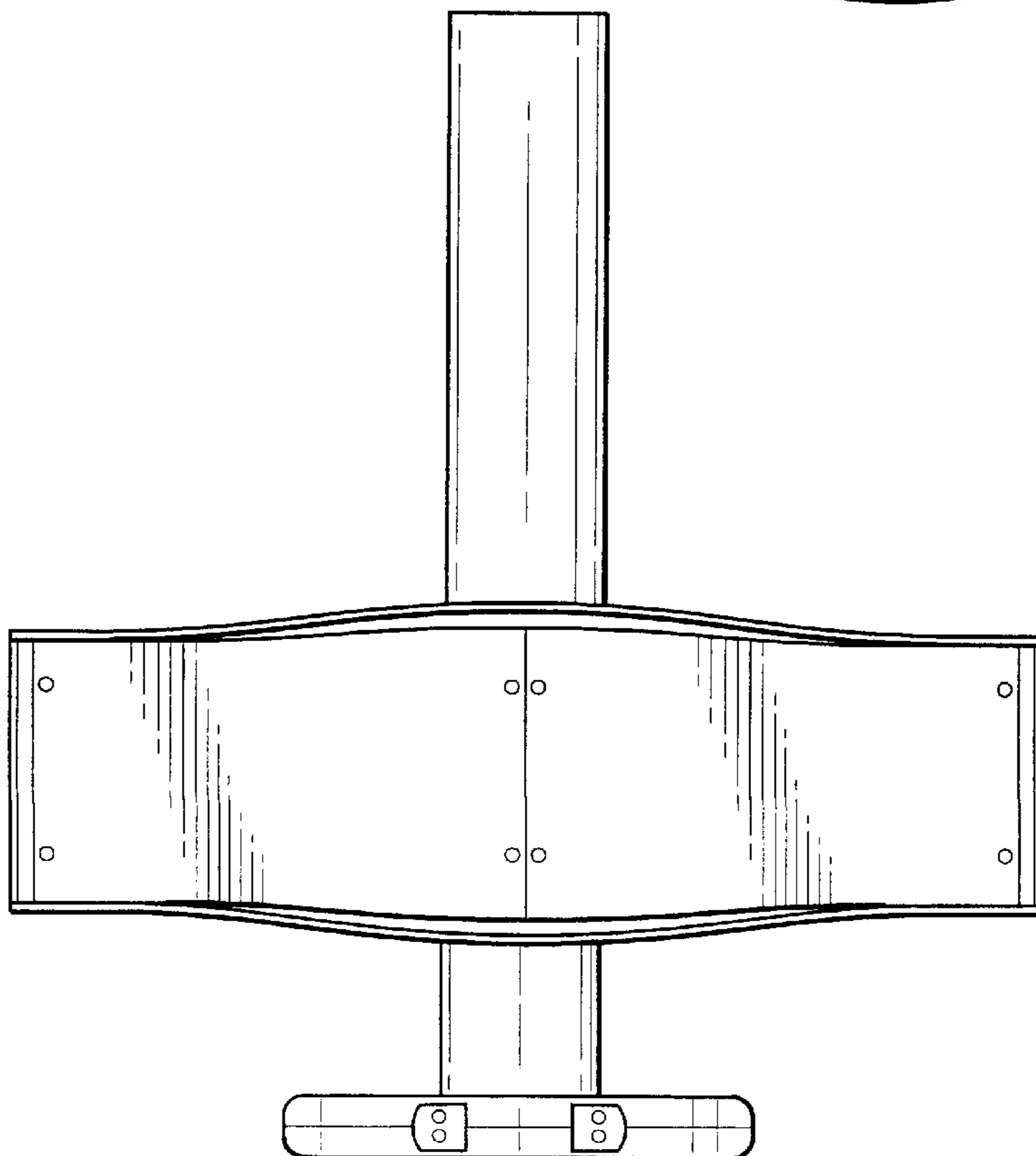


FIG - 38

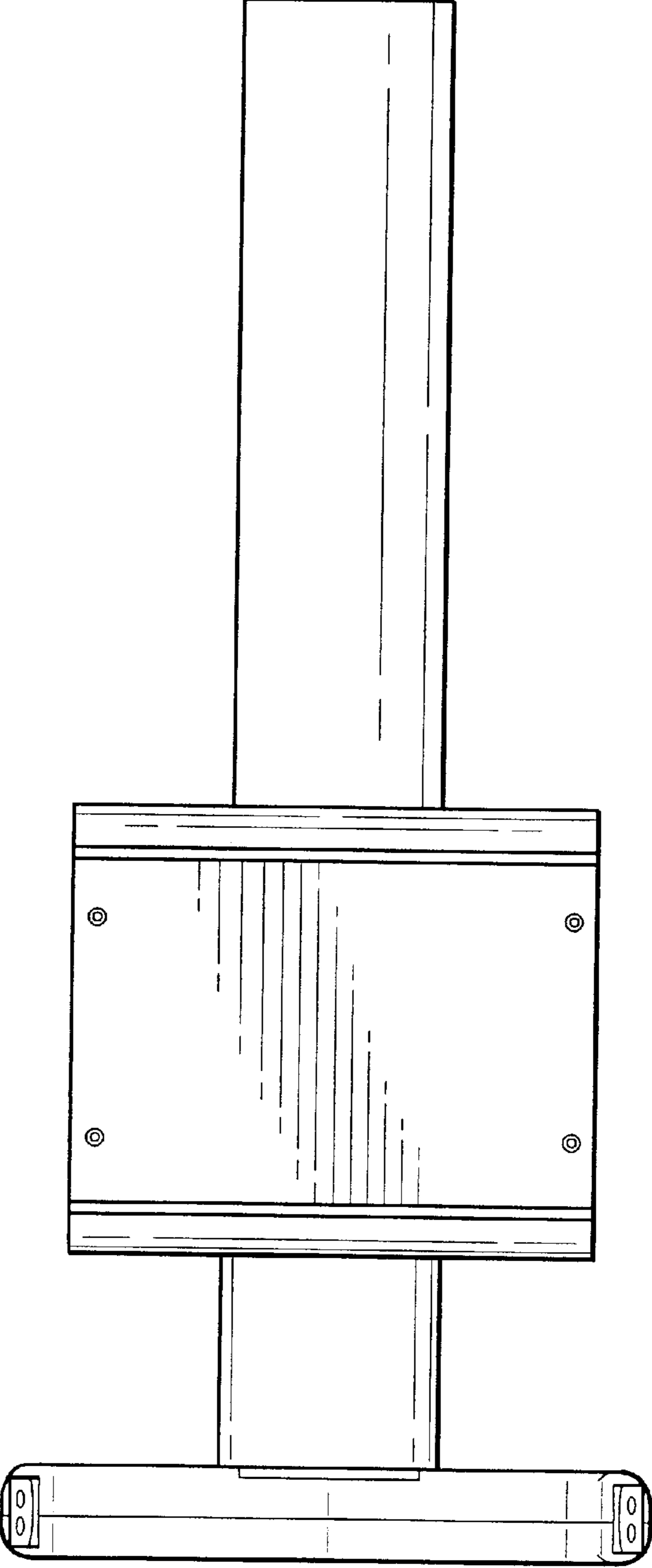


FIG - 39

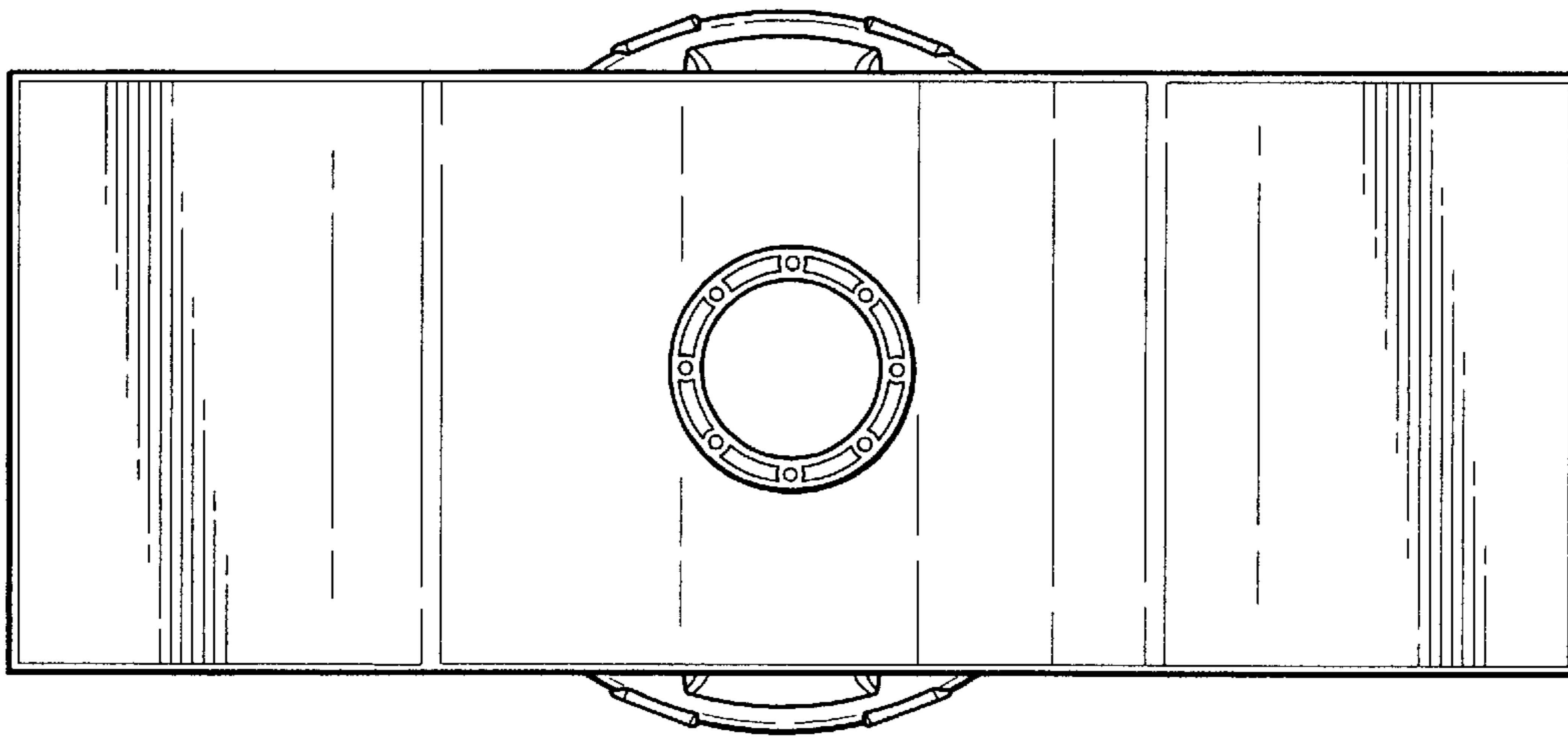
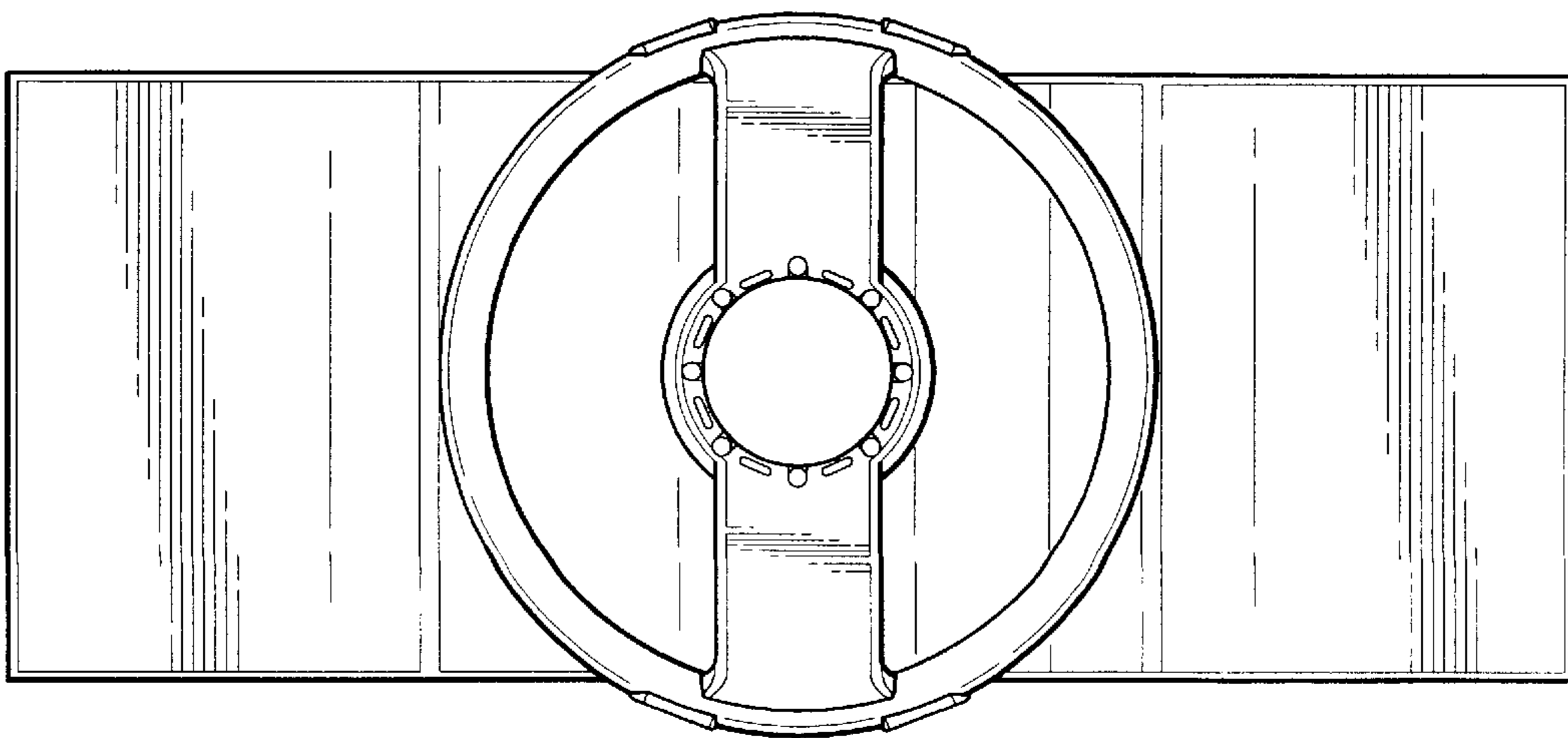


FIG - 40



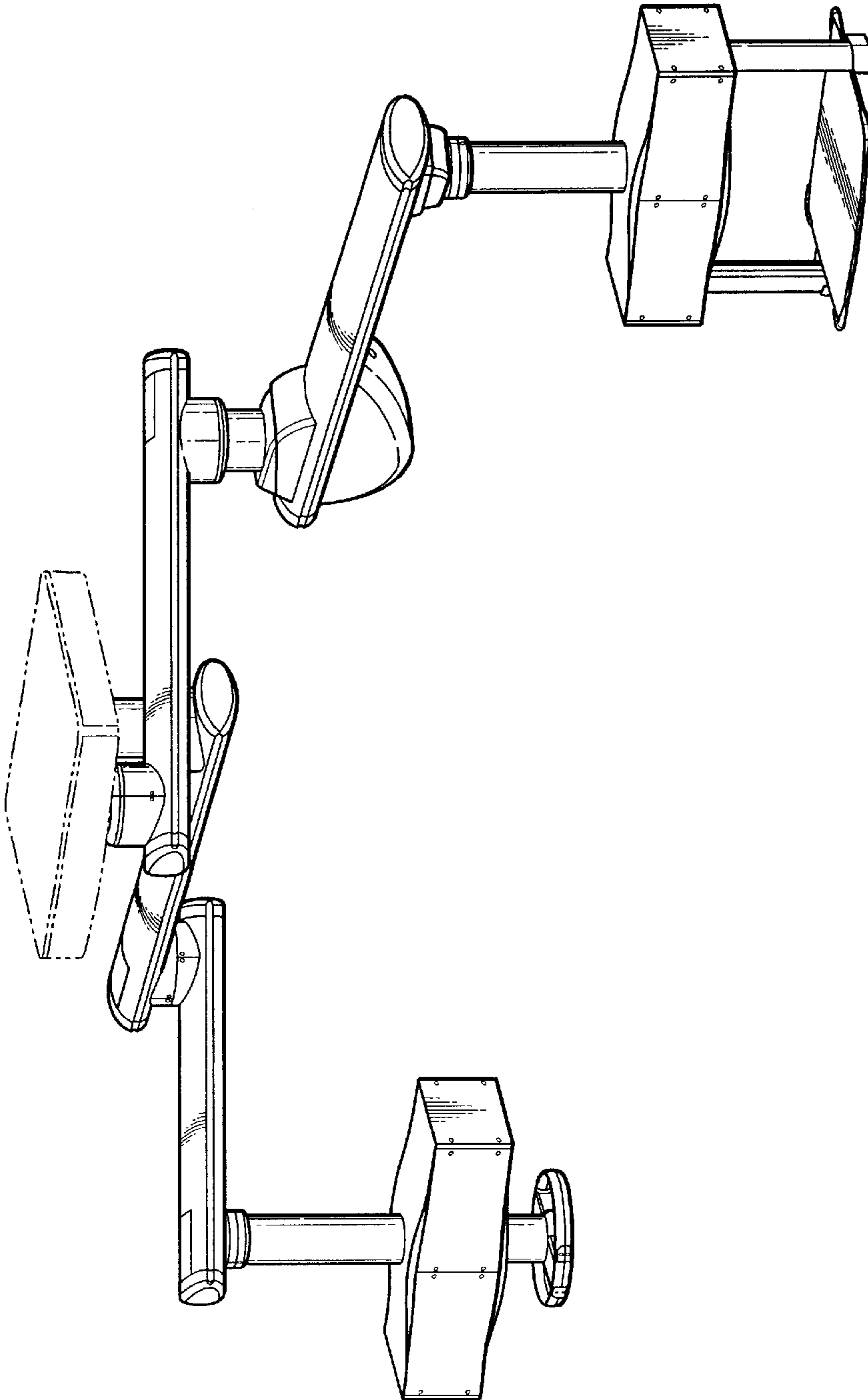


FIG - 41

FIG - 42a

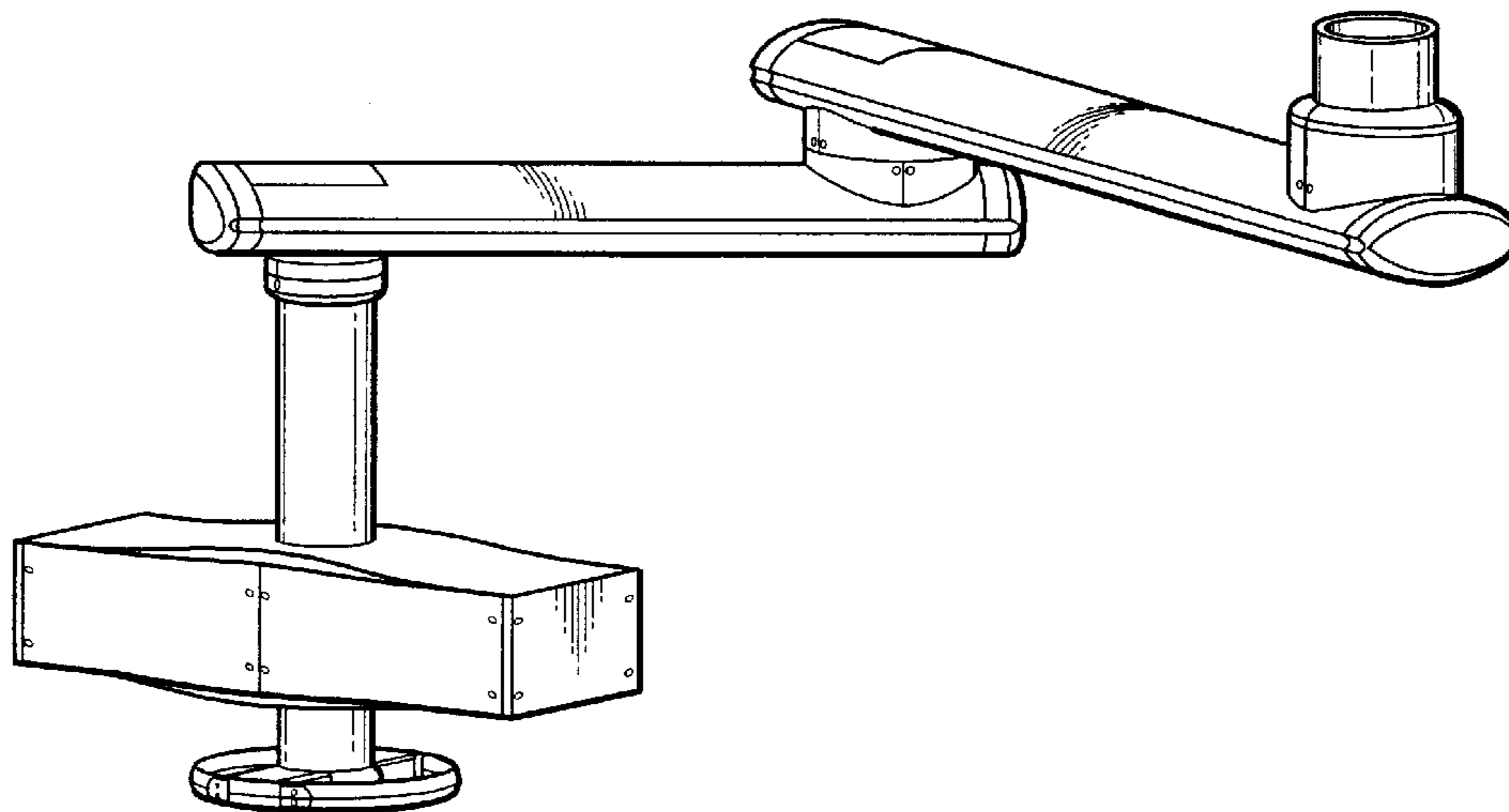
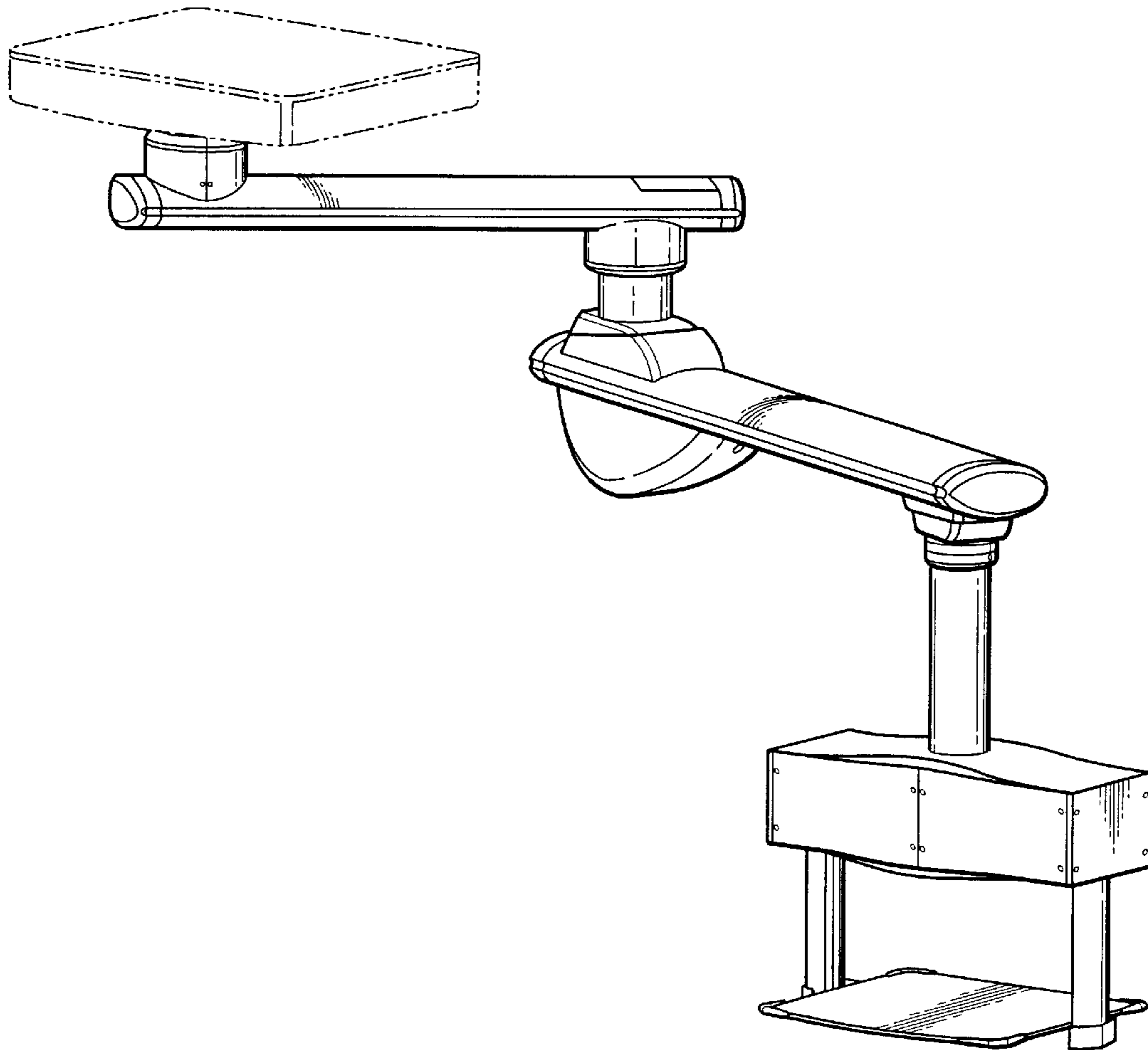


FIG - 42b



UNITED STATES PATENT AND TRADEMARK OFFICE
CERTIFICATE OF CORRECTION

PATENT NO. : Des. 528,216 S
APPLICATION NO. : 29/192767
DATED : September 12, 2006
INVENTOR(S) : Arno Korner

Page 1 of 1

It is certified that error appears in the above-identified patent and that said Letters Patent is hereby corrected as shown below:

Title Page # 73

The Assignee name and city shows as "Trumpf Kreuzer Medizin System GmbH + CO KG, Puchheim (DE)"

should be corrected to:

--TRUMPF Kreuzer Medizin Systeme GmbH + Co KG, Puchheim (DE)--

Signed and Sealed this

Nineteenth Day of December, 2006

A handwritten signature in black ink on a dotted background. The signature reads "Jon W. Dudas" in a cursive style.

JON W. DUDAS

Director of the United States Patent and Trademark Office