



US00D528215S

(12) **United States Design Patent**
Malmsäter

(10) **Patent No.:** **US D528,215 S**

(45) **Date of Patent:** **** Sep. 12, 2006**

(54) **CHIP CARRIER FOR BIOSENSOR**

(75) Inventor: **Jörgen Malmsäter**, Hägersten (SE)

(73) Assignee: **Biacore AB**, Uppsala (SE)

(**) Term: **14 Years**

(21) Appl. No.: **29/202,332**

(22) Filed: **Mar. 29, 2004**

(30) **Foreign Application Priority Data**

Sep. 30, 2003 (SE) 03-0876

(51) **LOC (8) Cl.** **24-02**

(52) **U.S. Cl.** **D24/216; D24/225; D24/232**

(58) **Field of Classification Search** D24/216,
D24/224, 225, 227, 232, 231; D10/81; 204/193,
204/403.01, 403.02, 403.03, 409; 422/56,
422/58, 61, 102

See application file for complete search history.

(56) **References Cited**

U.S. PATENT DOCUMENTS

| | | | | | |
|--------------|---|---------|-----------------|-------|------------|
| D331,807 S | * | 12/1992 | Sodergren | | D24/224 |
| D461,561 S | * | 8/2002 | Pham | | D24/225 |
| 6,488,828 B1 | * | 12/2002 | Bhullar et al. | | 204/403.01 |
| D472,644 S | | 4/2003 | Dawson et al. | | D24/216 |
| D480,149 S | | 9/2003 | Dawson et al. | | D24/224 |
| D500,142 S | * | 12/2004 | Crisanti et al. | | D24/224 |

* cited by examiner

Primary Examiner—Cathy Anne MacCormac

Assistant Examiner—Melanie Levy

(74) *Attorney, Agent, or Firm*—Seed IP Law Group PLLC

(57) **CLAIM**

The ornamental design for a chip carrier for biosensor, as shown and described.

DESCRIPTION

FIG. 1 is a top isometric view of a chip carrier for biosensor showing my new design;

FIG. 2 is an end view thereof;

FIG. 3 is a bottom isometric view thereof;

FIG. 4 is an end view thereof, opposite that shown in FIG. 2;

FIG. 5 is a right side view thereof;

FIG. 6 is a top plan view thereof;

FIG. 7 is a left side view thereof;

FIG. 8 is a bottom plan view thereof;

FIG. 9 is a top isometric view shown without the environmental chip;

FIG. 10 is an end view of FIG. 9;

FIG. 11 is a bottom isometric view of FIG. 9;

FIG. 12 is an end view of FIG. 9, opposite that shown in FIG. 10;

FIG. 13 is a right side view of FIG. 9;

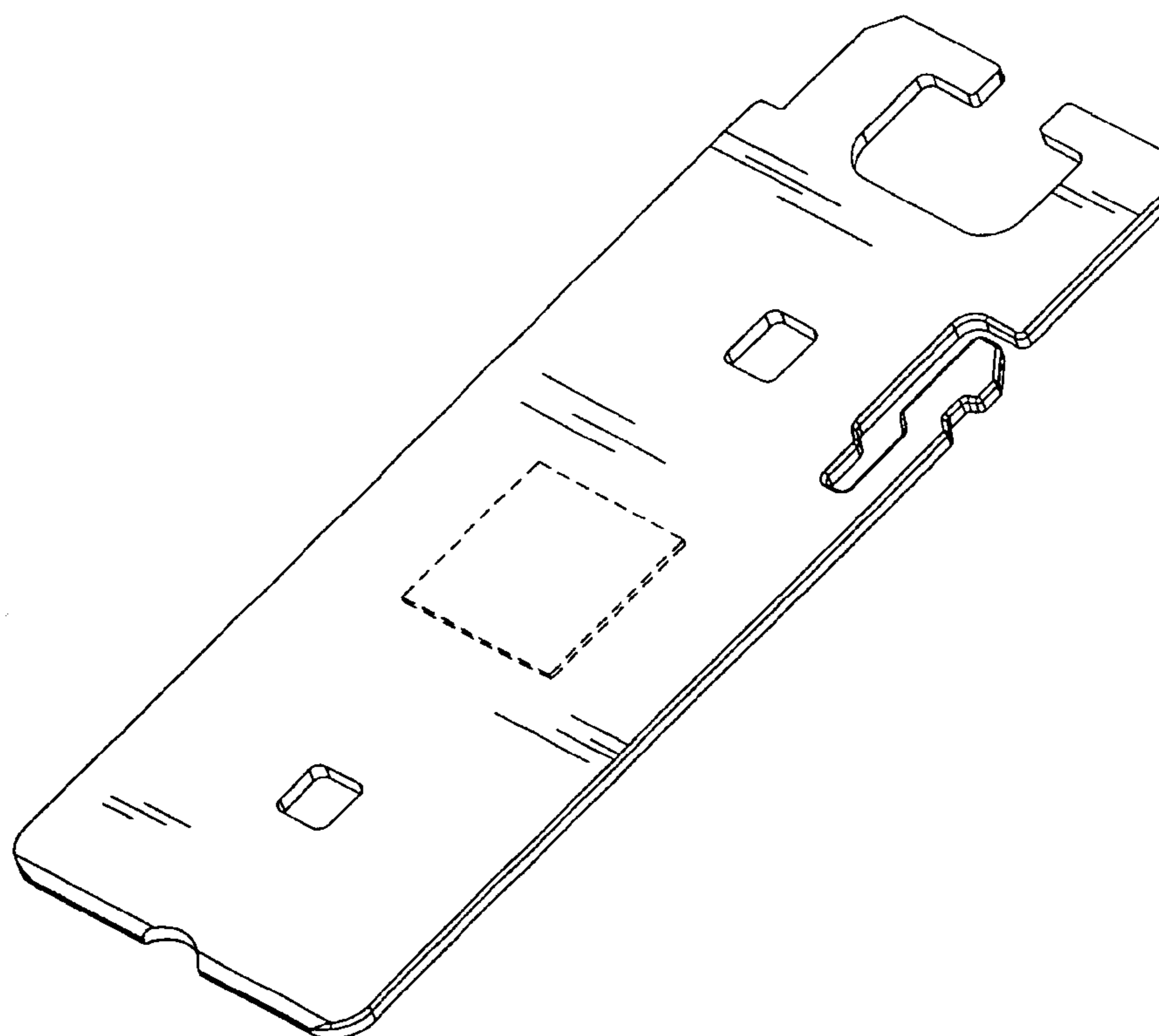
FIG. 14 is a top plan view of FIG. 9;

FIG. 15 is a left side view of FIG. 9; and,

FIG. 16 is a bottom plan view of FIG. 9.

The broken lines in the figures are for illustrative purposes only and form no part of the claimed design.

1 Claim, 6 Drawing Sheets



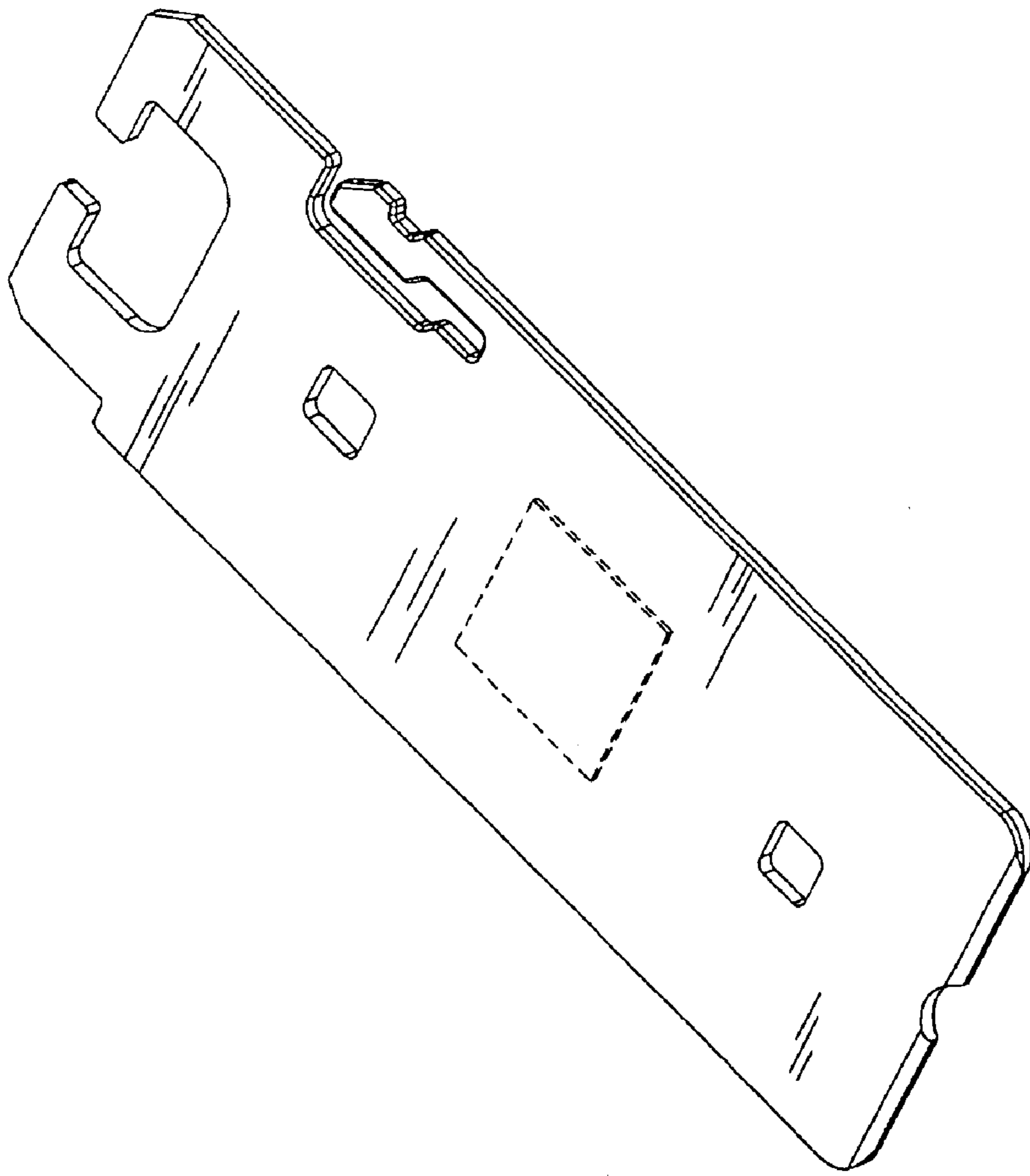


FIG. 1



FIG. 2

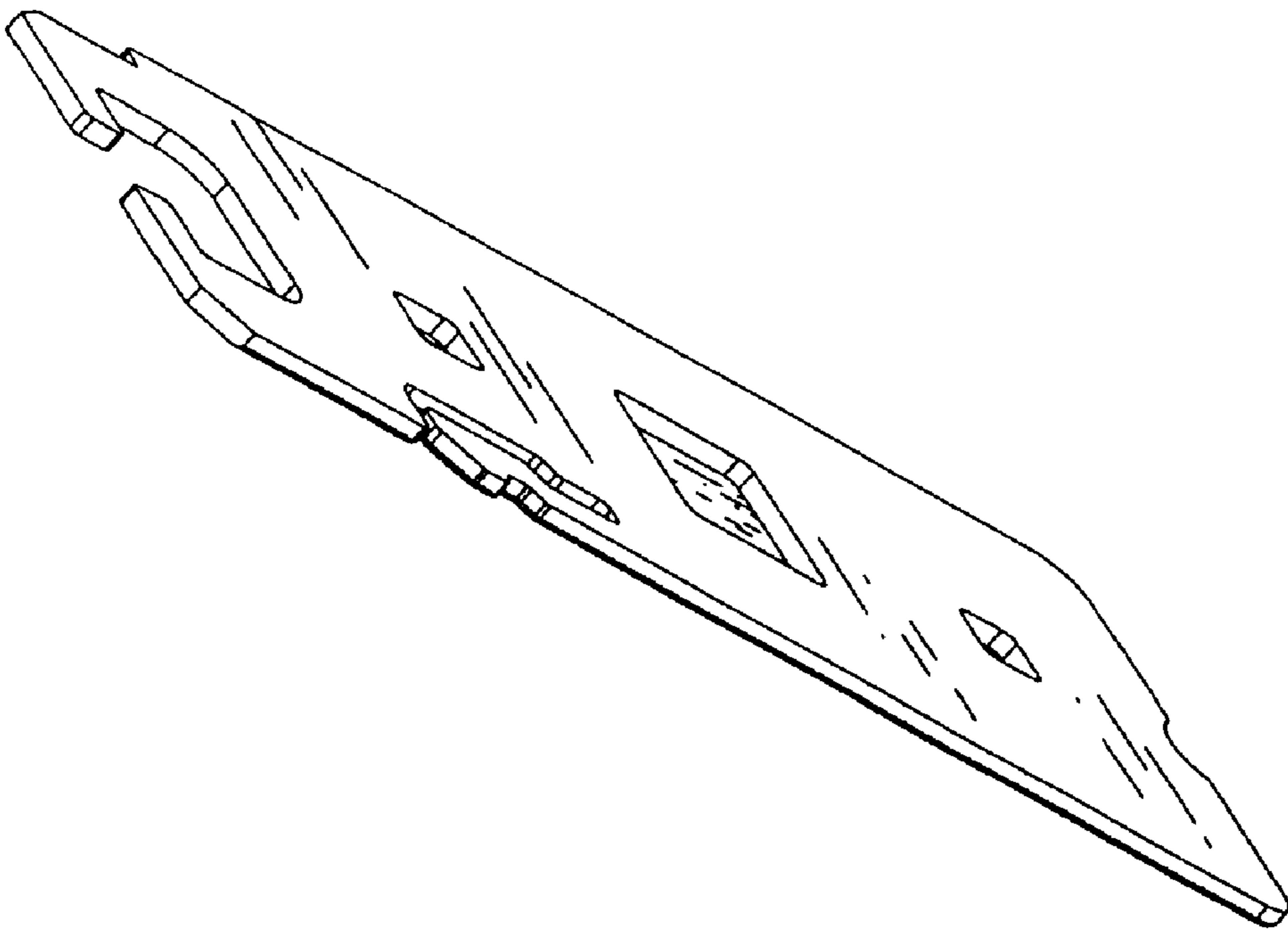


FIG. 3

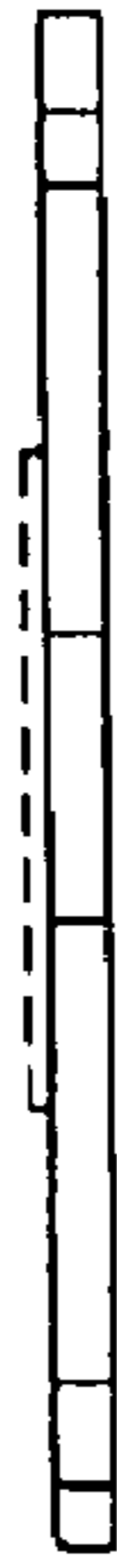


FIG. 4

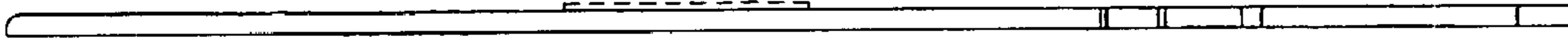


FIG. 5

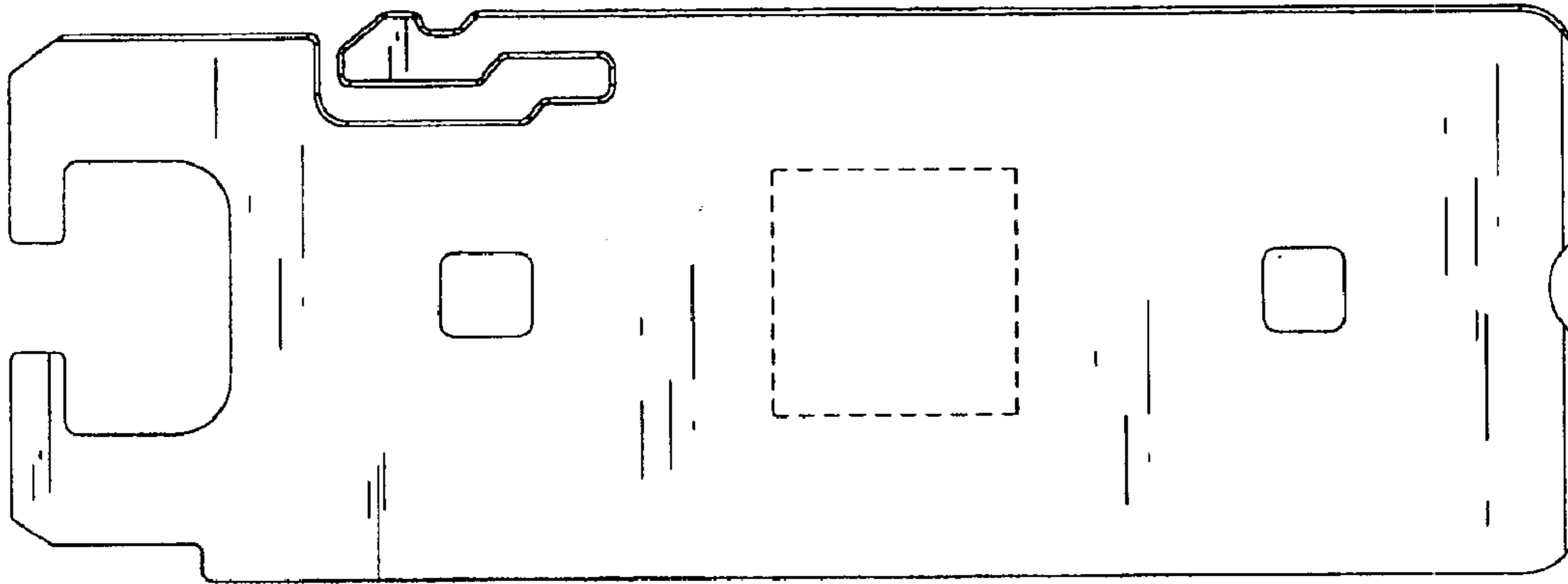


FIG. 6

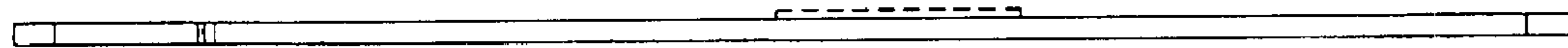


FIG. 7

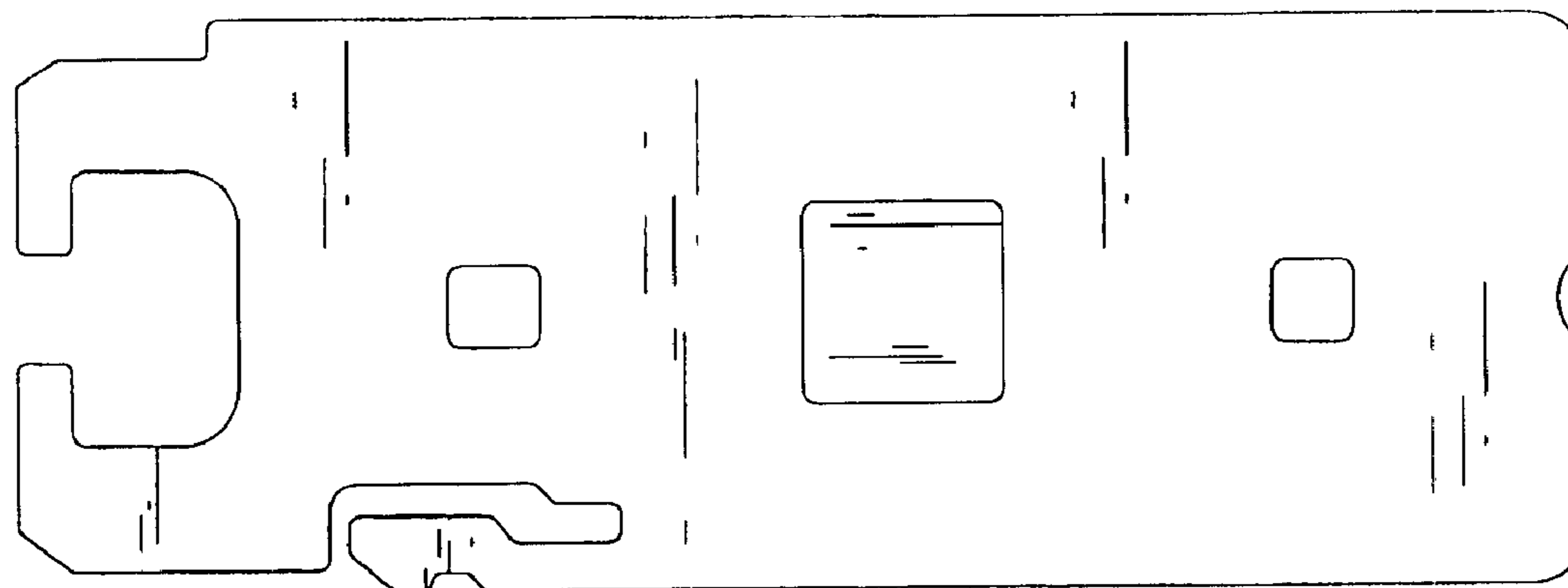


FIG. 8

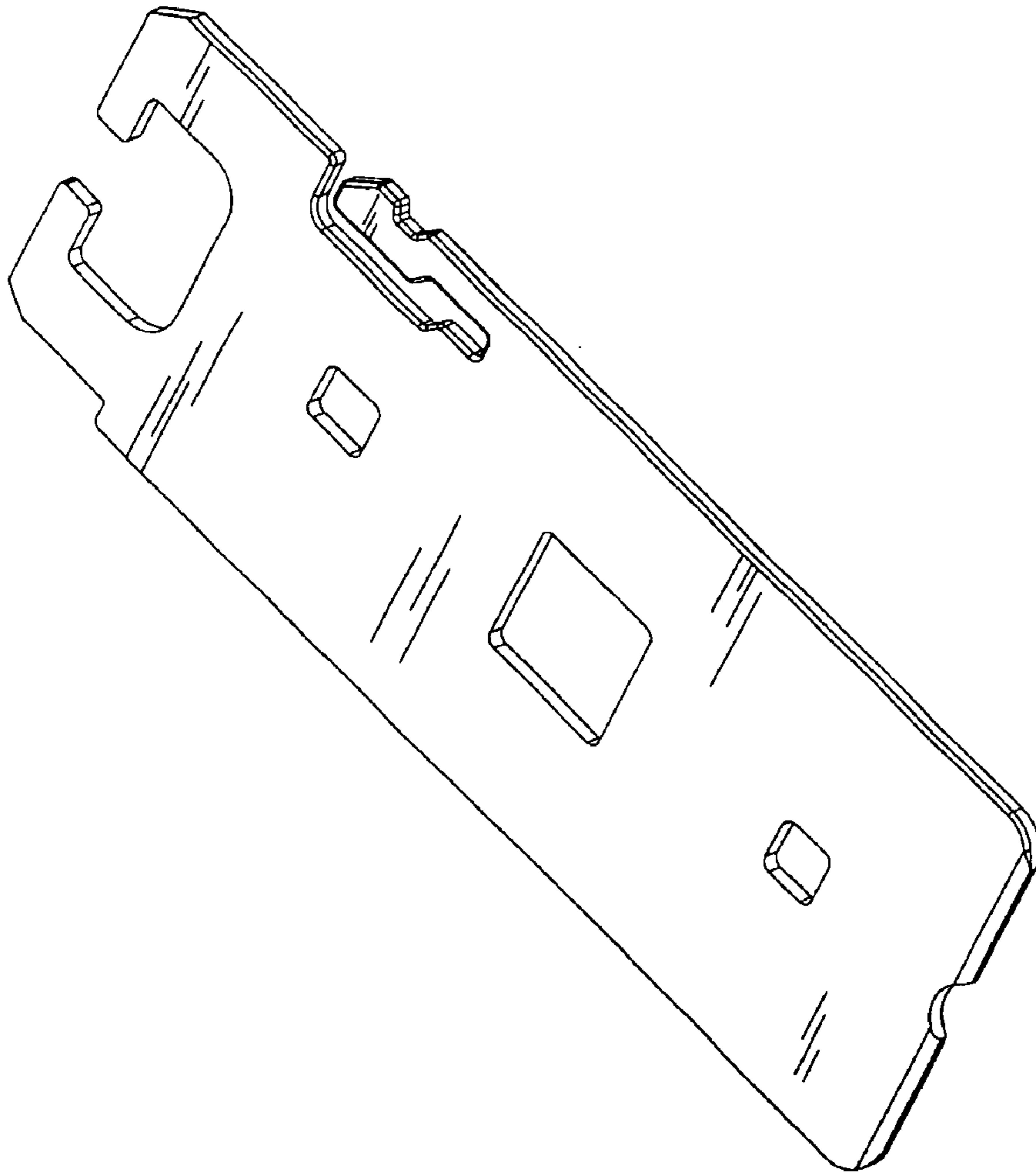


FIG. 9



FIG. 10

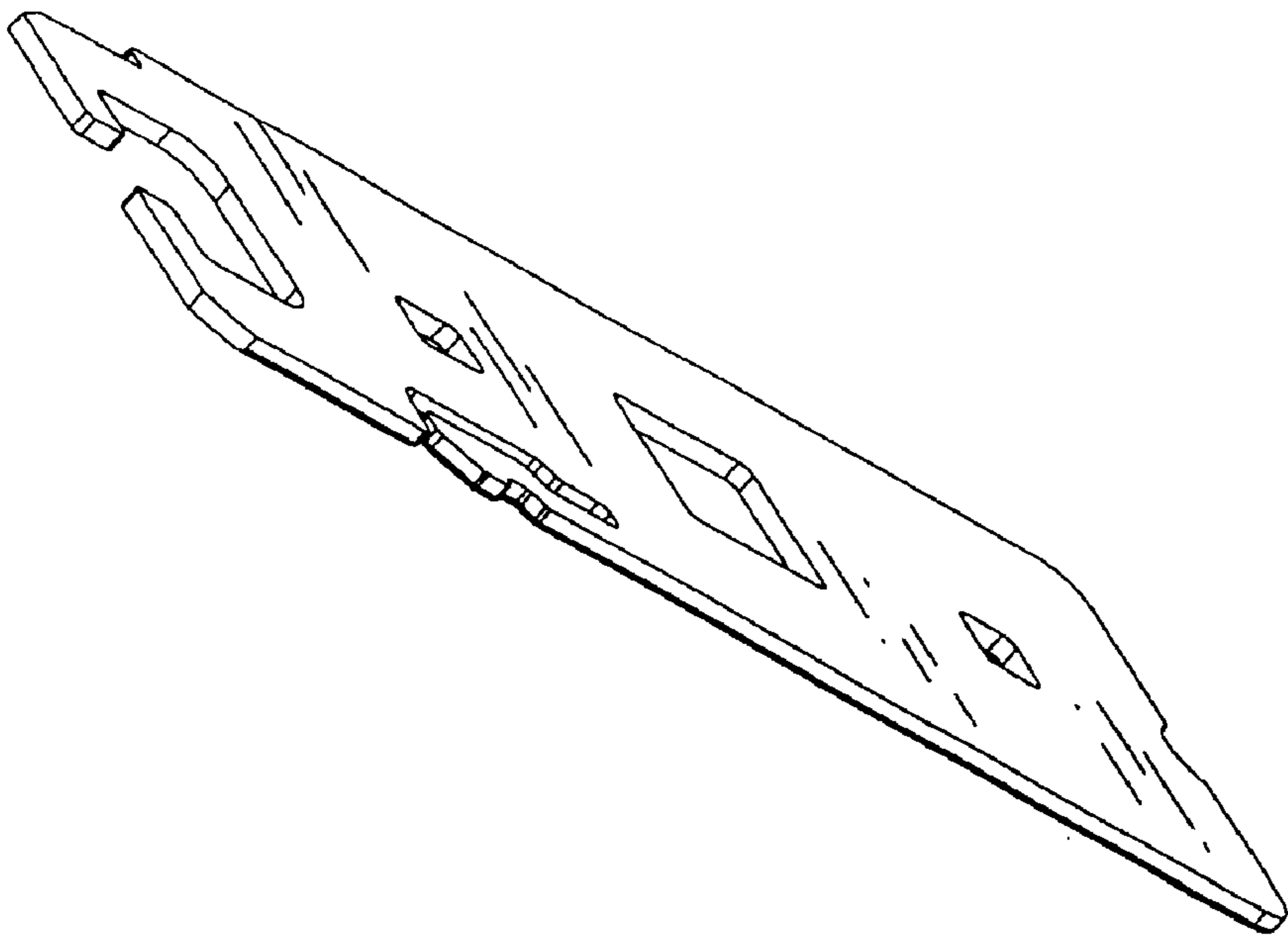


FIG. 11



FIG. 12

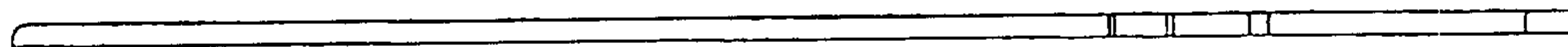


FIG. 13

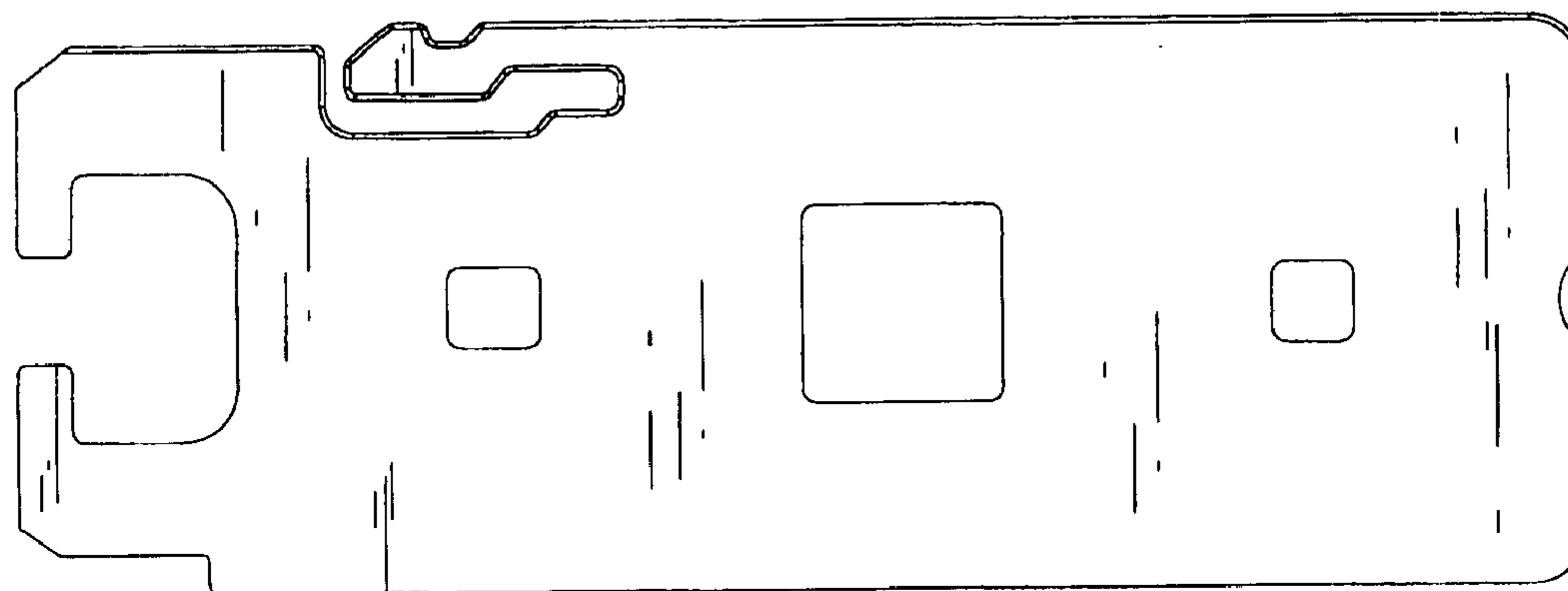


FIG. 14

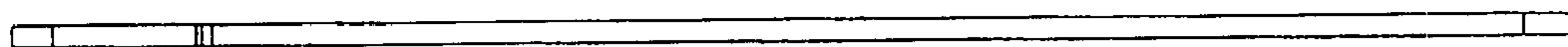


FIG. 15

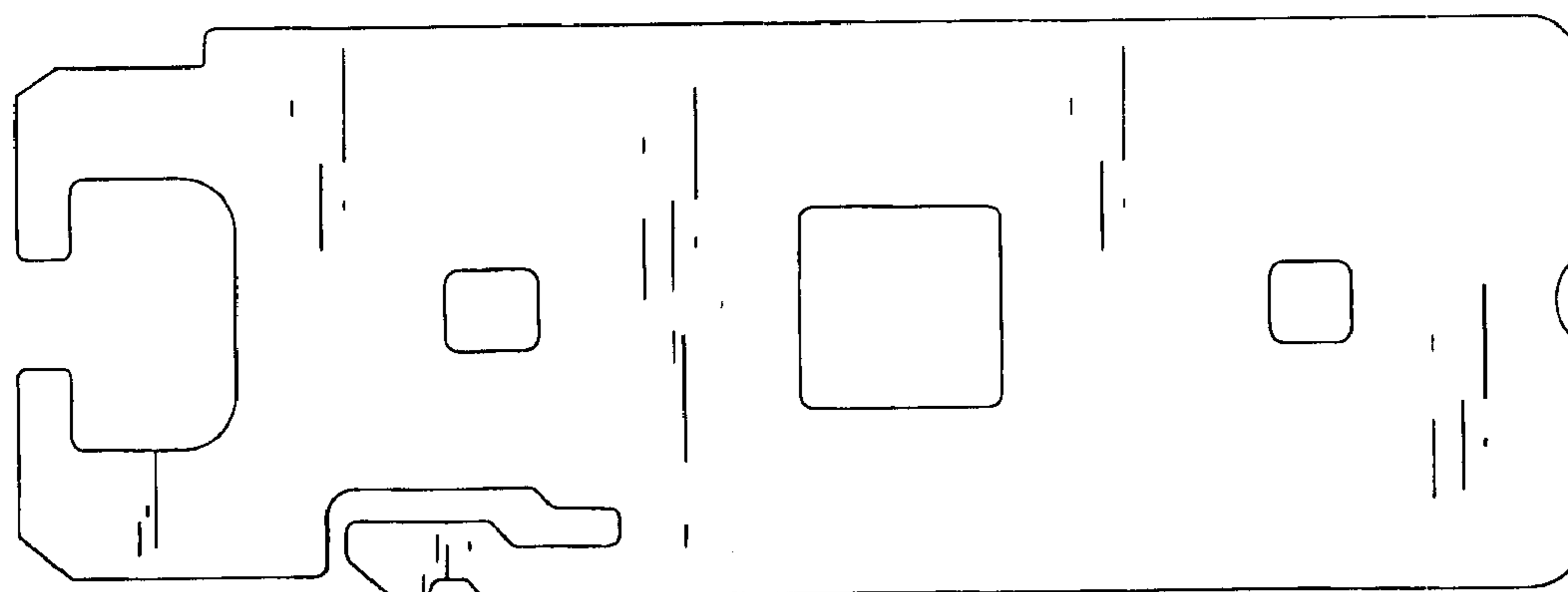


FIG. 16