



US00D528214S

(12) **United States Design Patent**
Binet

(10) **Patent No.:** **US D528,214 S**

(45) **Date of Patent:** **** Sep. 12, 2006**

(54) **SPLINT**

(75) **Inventor:** **Marc-Herve Binet, Avoriaz (FR)**

(73) **Assignee:** **Skimeter SARL (FR)**

(**) **Term:** **14 Years**

(21) **Appl. No.:** **29/212,573**

(22) **Filed:** **Sep. 2, 2004**

(30) **Foreign Application Priority Data**

Mar. 2, 2004 (FR) 04 1139

(51) **LOC (8) Cl.** **24-04**

(52) **U.S. Cl.** **D24/190**

(58) **Field of Classification Search** D24/190;
602/5, 20, 21; D29/120.1

See application file for complete search history.

(56) **References Cited**

U.S. PATENT DOCUMENTS

6,328,706 B1 * 12/2001 Yattavong 602/21

6,716,185 B1 * 4/2004 Rieger 602/21
6,808,502 B1 * 10/2004 Nguyen 602/21
2003/0073941 A1 * 4/2003 Betz 602/5

* cited by examiner

Primary Examiner—Louis S. Zarfaz

Assistant Examiner—Daniel Yu

(74) *Attorney, Agent, or Firm*—Wilmer Cutler Pickering
Hale and Dorr LLP

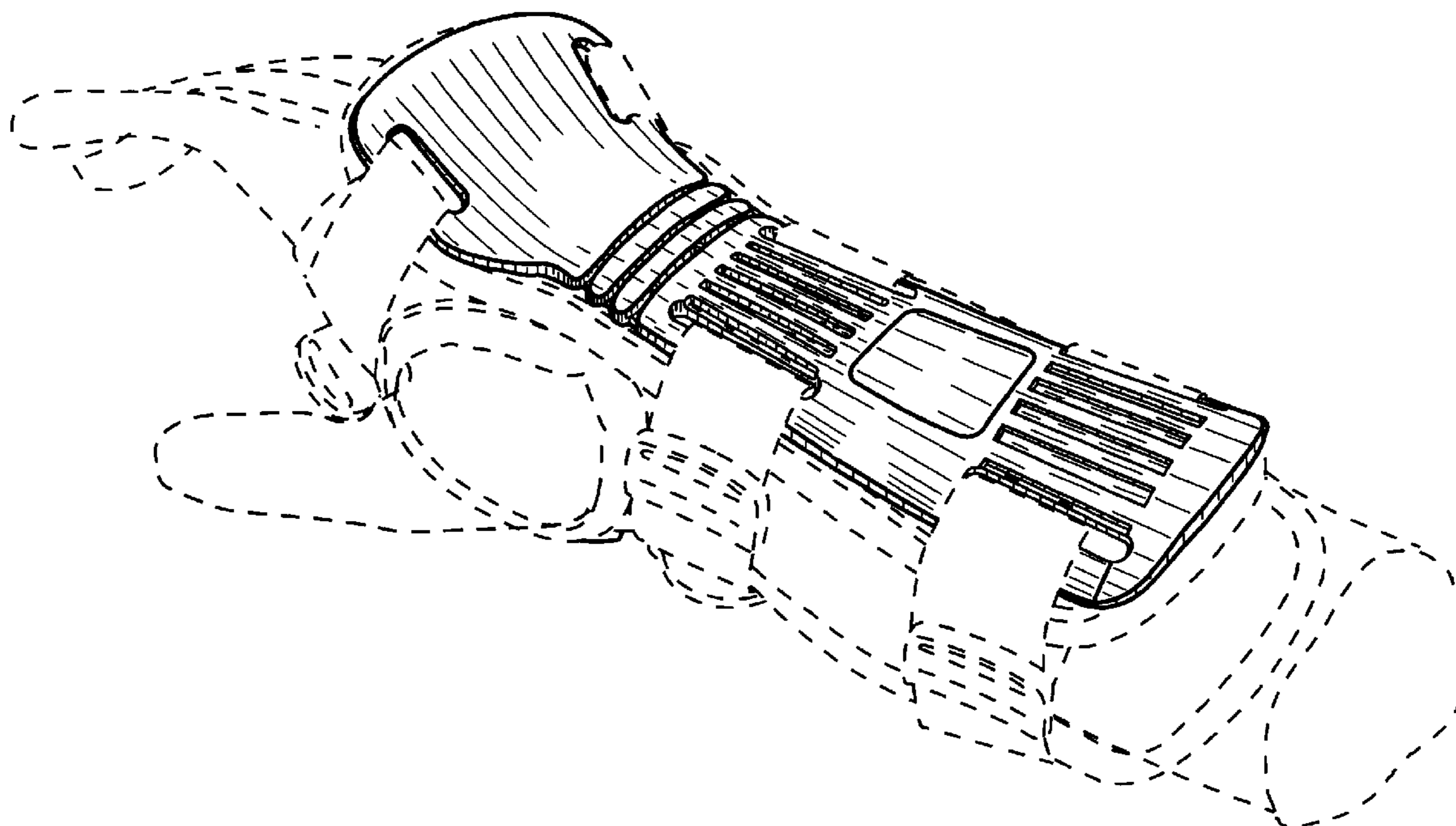
(57) **CLAIM**

I claim the ornamental design of a splint, as shown and described.

DESCRIPTION

FIG. 1 is a perspective view of the splint of this invention;
FIG. 2 is a side view thereof;
FIG. 3 is a plan view thereof;
FIG. 4 is a side view thereof;
FIG. 5 is a bottom view thereof;
FIG. 6 is a front end view thereof; and,
FIG. 7 is a back end view thereof.

1 Claim, 4 Drawing Sheets



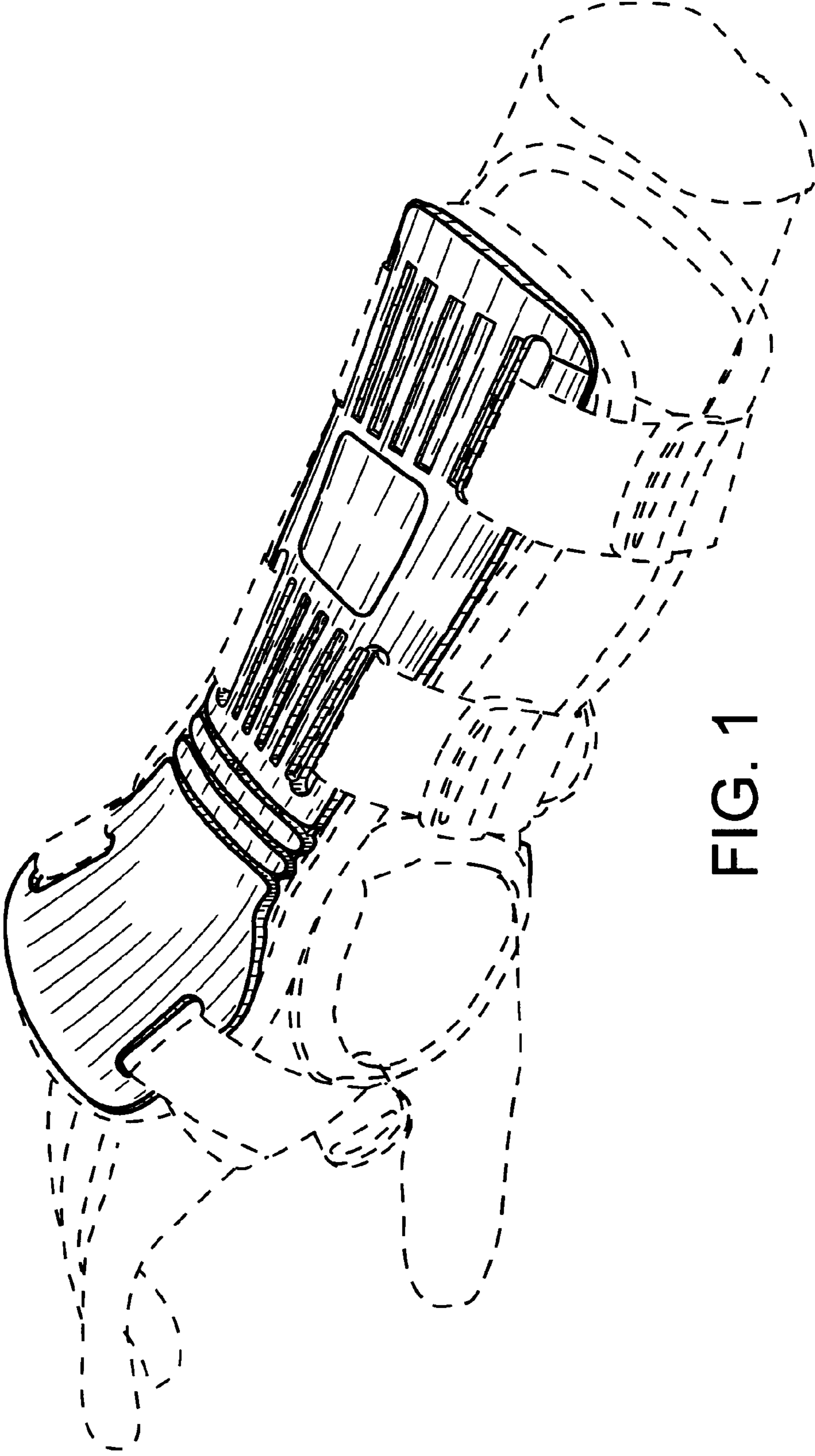


FIG. 1

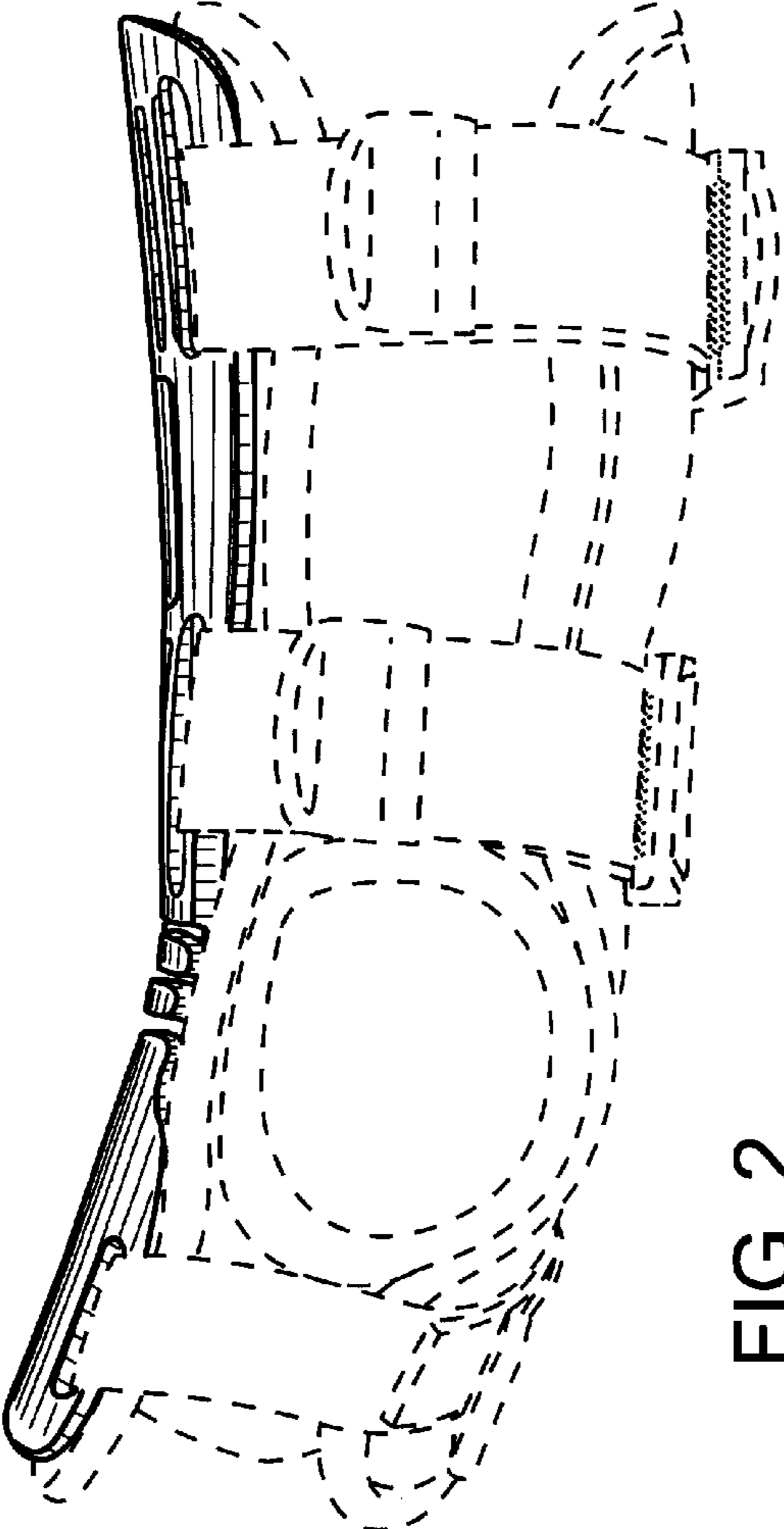


FIG. 2

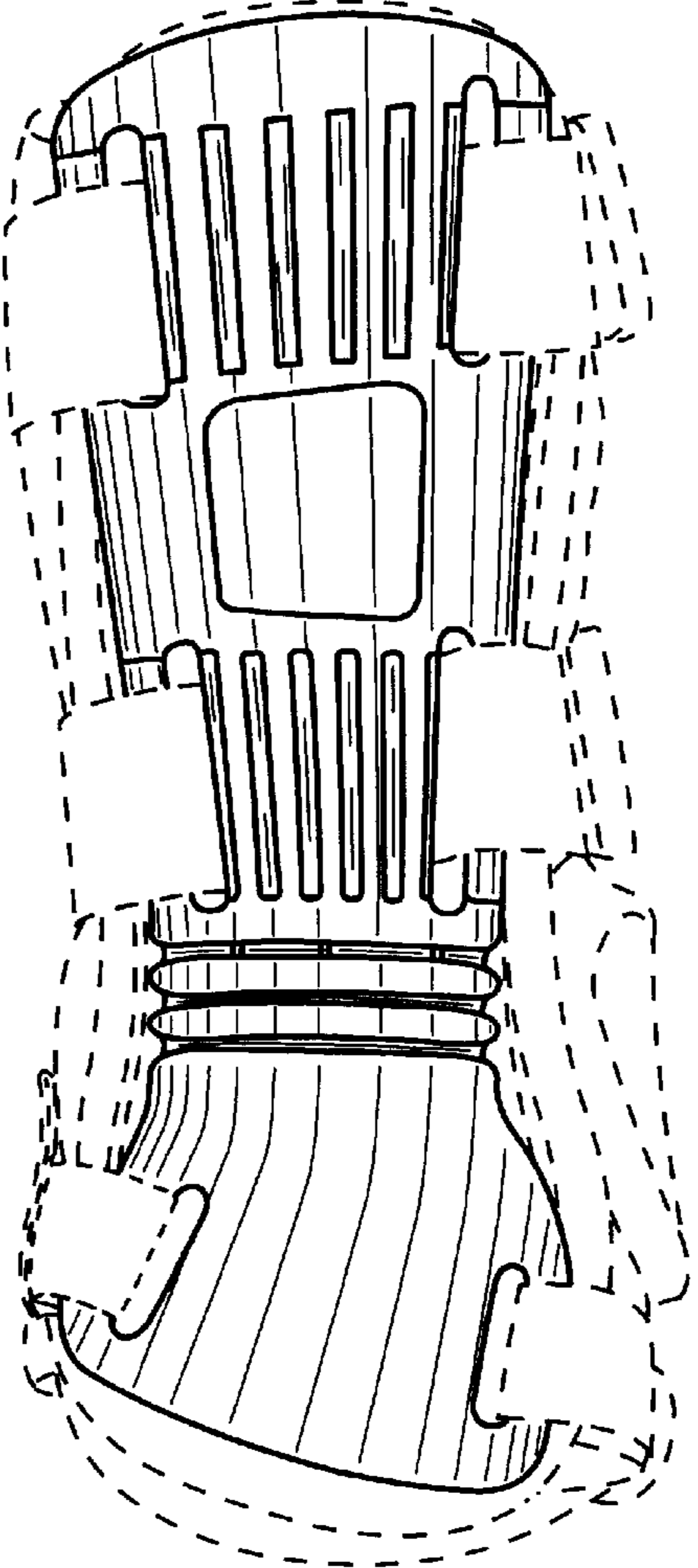


FIG. 3

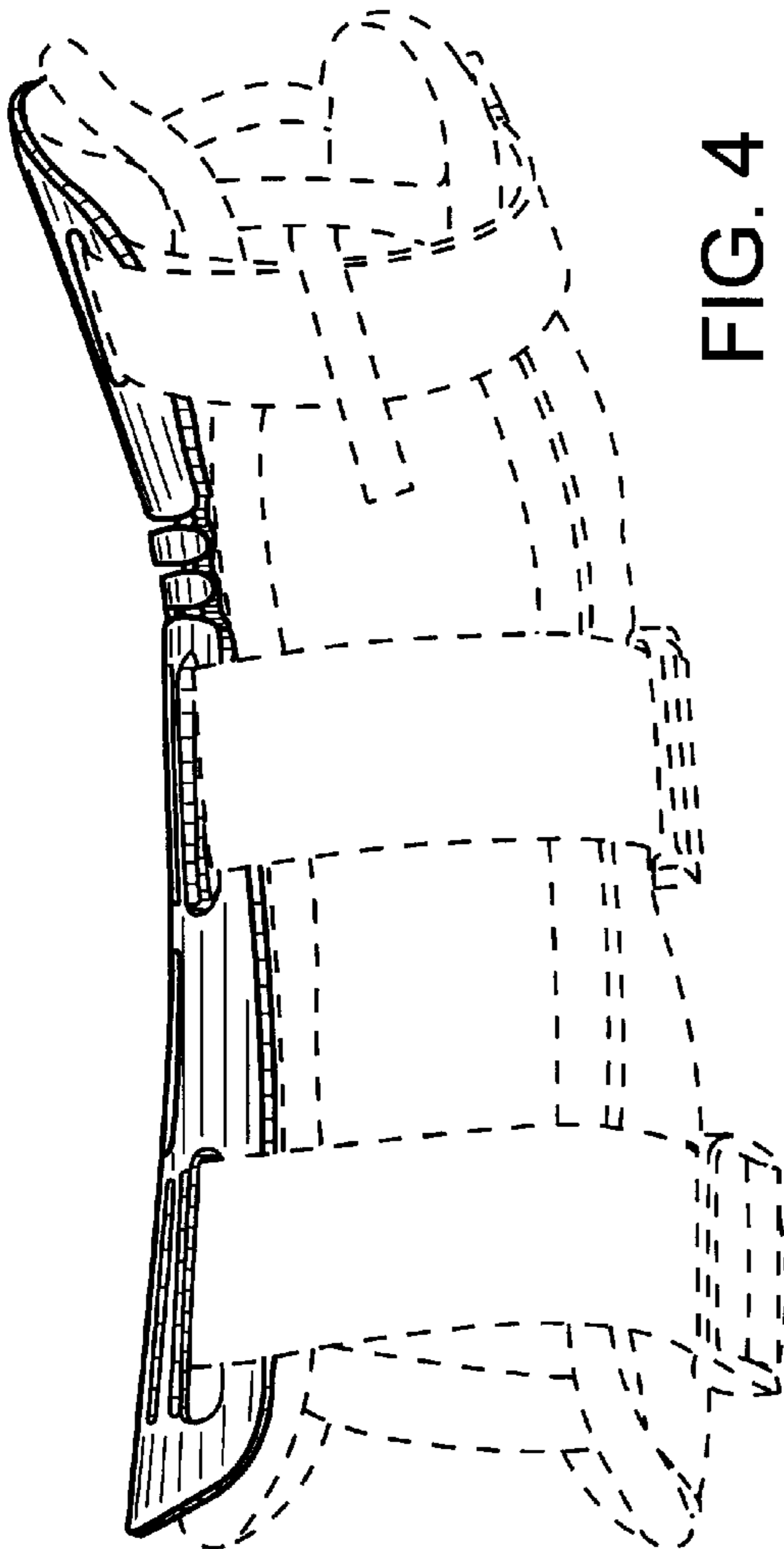


FIG. 4

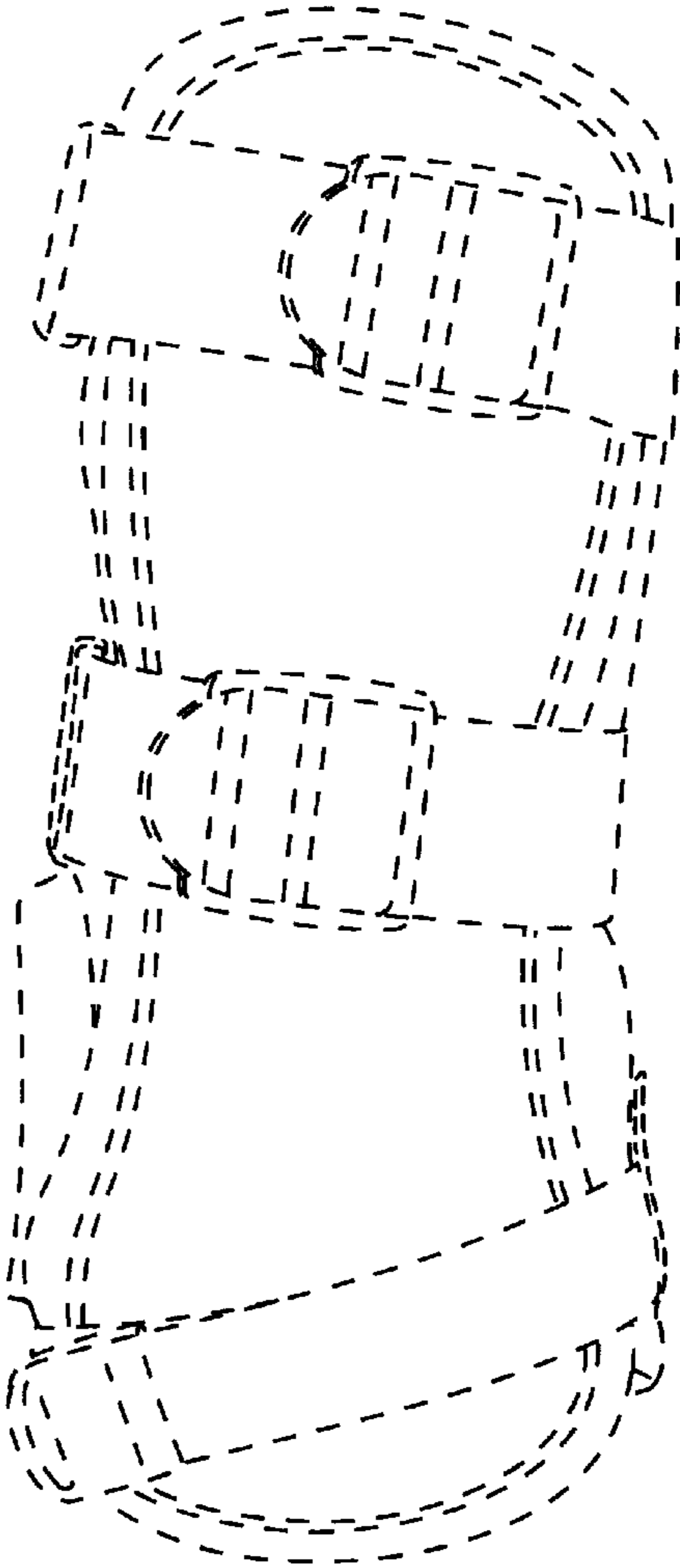


FIG. 5

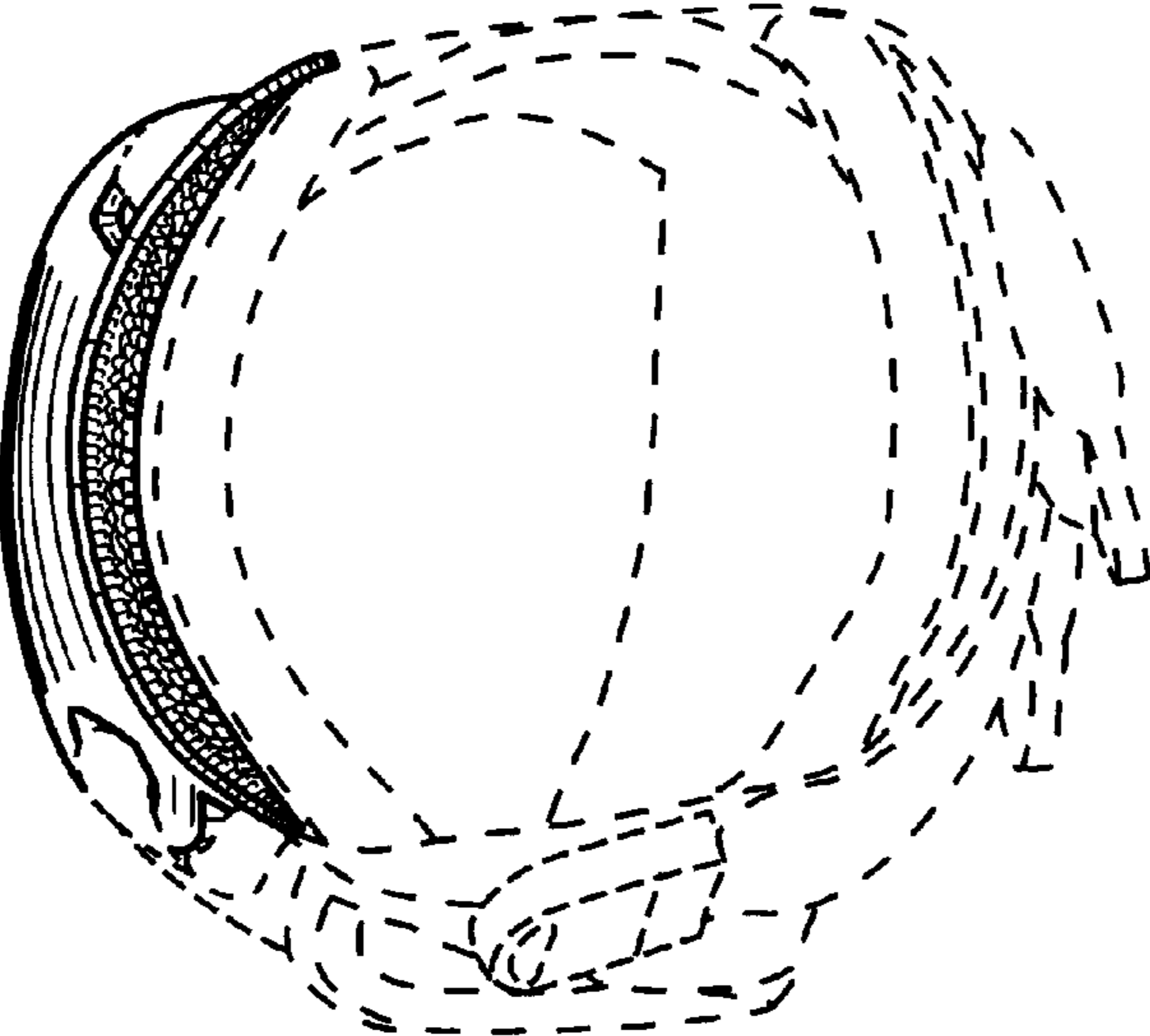


FIG. 7

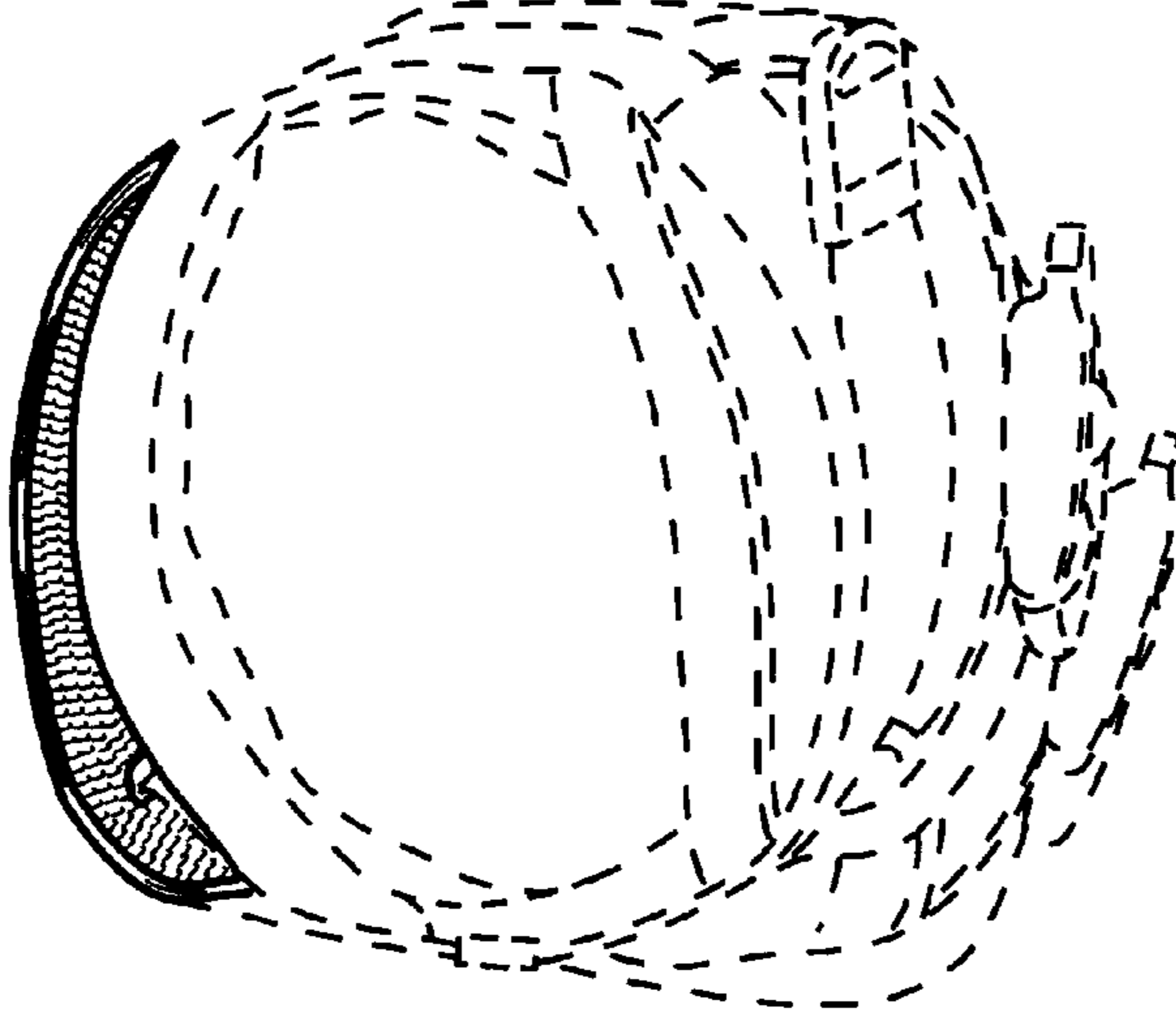


FIG. 6