

US00D528212S

(12) **United States Design Patent**  
**Conway et al.**

(10) **Patent No.:** **US D528,212 S**

(45) **Date of Patent:** **\*\* Sep. 12, 2006**

(54) **PORTABLE OXYGEN CONCENTRATOR**

2003/0005928 A1 \* 1/2003 Appel et al. .... 128/202.26  
2003/0167924 A1 9/2003 McCombs et al.

(75) Inventors: **Scott Conway**, Yorba Linda, CA (US);  
**Rex O. Bare**, Lake Forest, CA (US)

\* cited by examiner

(73) Assignee: **Inogen, Inc.**, Goleta, CA (US)

*Primary Examiner*—Louis S. Zarfes

*Assistant Examiner*—Daniel Yu

(\*\*) Term: **14 Years**

(74) *Attorney, Agent, or Firm*—Knobbe Martens Olson & Bear, LLP

(21) Appl. No.: **29/226,193**

(57) **CLAIM**

(22) Filed: **Mar. 23, 2005**

The ornamental design for a portable oxygen concentrator, as shown and described.

**Related U.S. Application Data**

**DESCRIPTION**

(63) Continuation of application No. 10/680,885, filed on Oct. 7, 2003.

FIG. 1 is a right perspective view of the portable oxygen concentrator of the present design;

(51) **LOC (8) Cl.** ..... **24-01**

FIG. 2 is a front view of the portable oxygen concentrator of the present design;

(52) **U.S. Cl.** ..... **D24/164**

FIG. 3 is a rear view of the portable oxygen concentrator of the present design;

(58) **Field of Classification Search** ..... D24/164,  
D24/110; 128/201.21, 202.22, 203.22, 205.25,  
128/205.12, 205.22, 207.18, 202.26, 203.25;  
55/356, 357; 96/111, 116, 117

FIG. 4 is a right side view of the portable oxygen concentrator of the present design;

See application file for complete search history.

FIG. 5 is a left side view of the portable oxygen concentrator of the present design;

(56) **References Cited**

FIG. 6 is a top view of the portable oxygen concentrator of the present design; and,

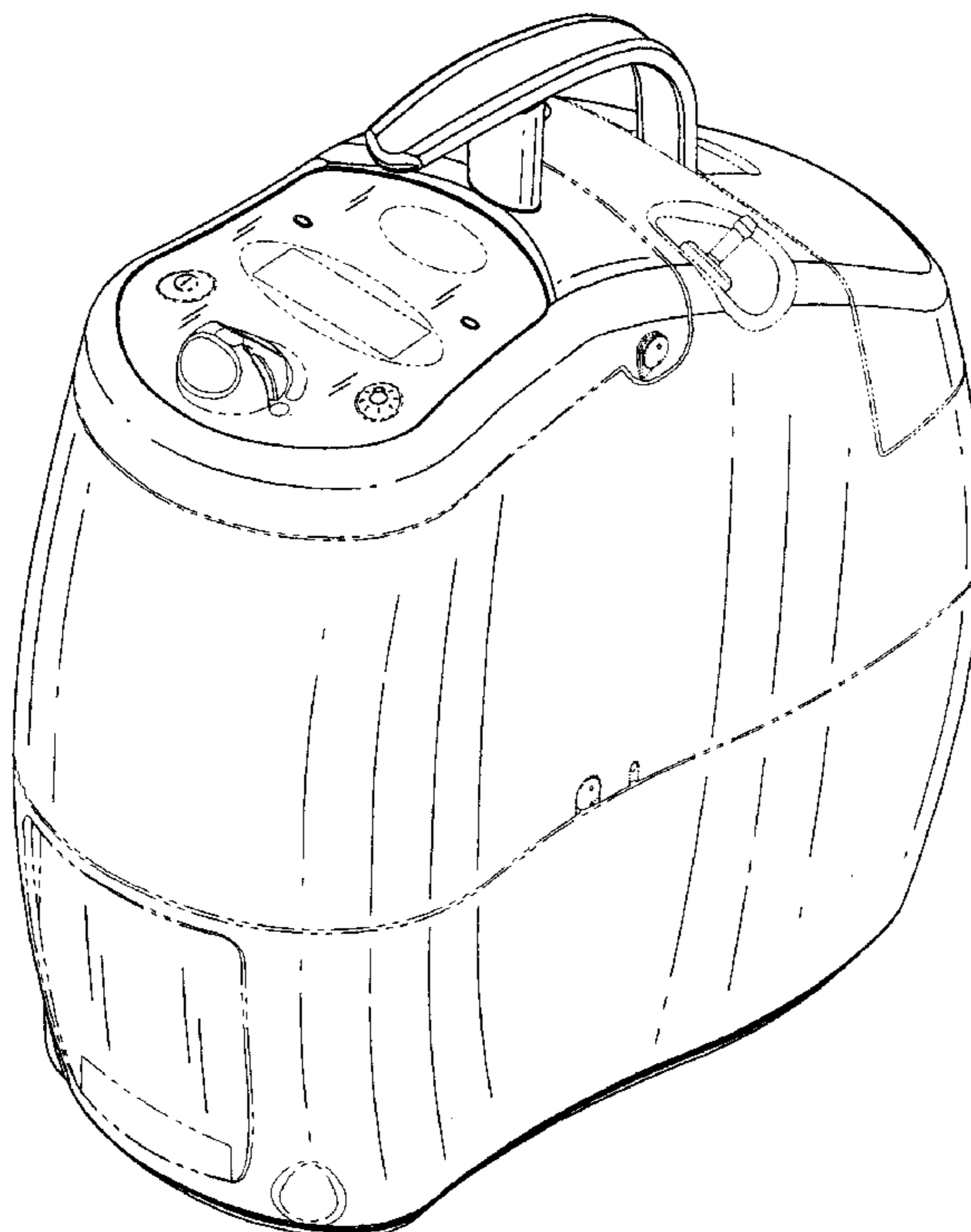
**U.S. PATENT DOCUMENTS**

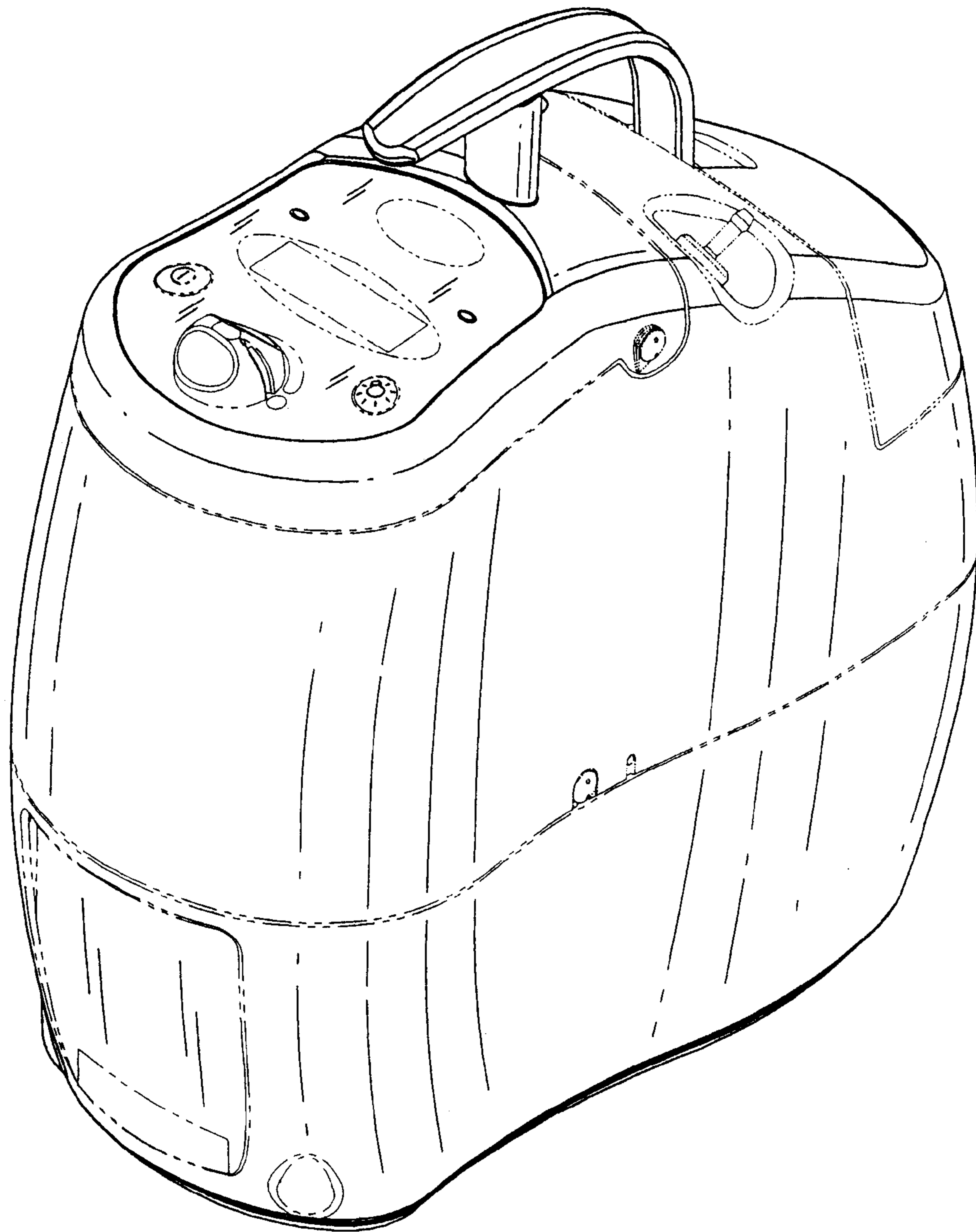
FIG. 7 is a bottom view of the portable oxygen concentrator of the present design.

D287,051 S	*	12/1986	Perkins et al. ....	D24/164
4,826,510 A	*	5/1989	McCombs .....	96/127
D437,056 S	*	1/2001	Remes et al. ....	D24/164
D468,017 S	*	12/2002	McCombs .....	D24/164
D490,155 S	*	5/2004	Nakamura .....	D24/164
D513,074 S	*	12/2005	Nakamura et al. ....	D24/164

The broken lines showing additional features of the portable oxygen concentrator in FIGS. 1–7 are for illustrative purposes only and form no part of the claimed design.

**1 Claim, 5 Drawing Sheets**





*FIG. 1*

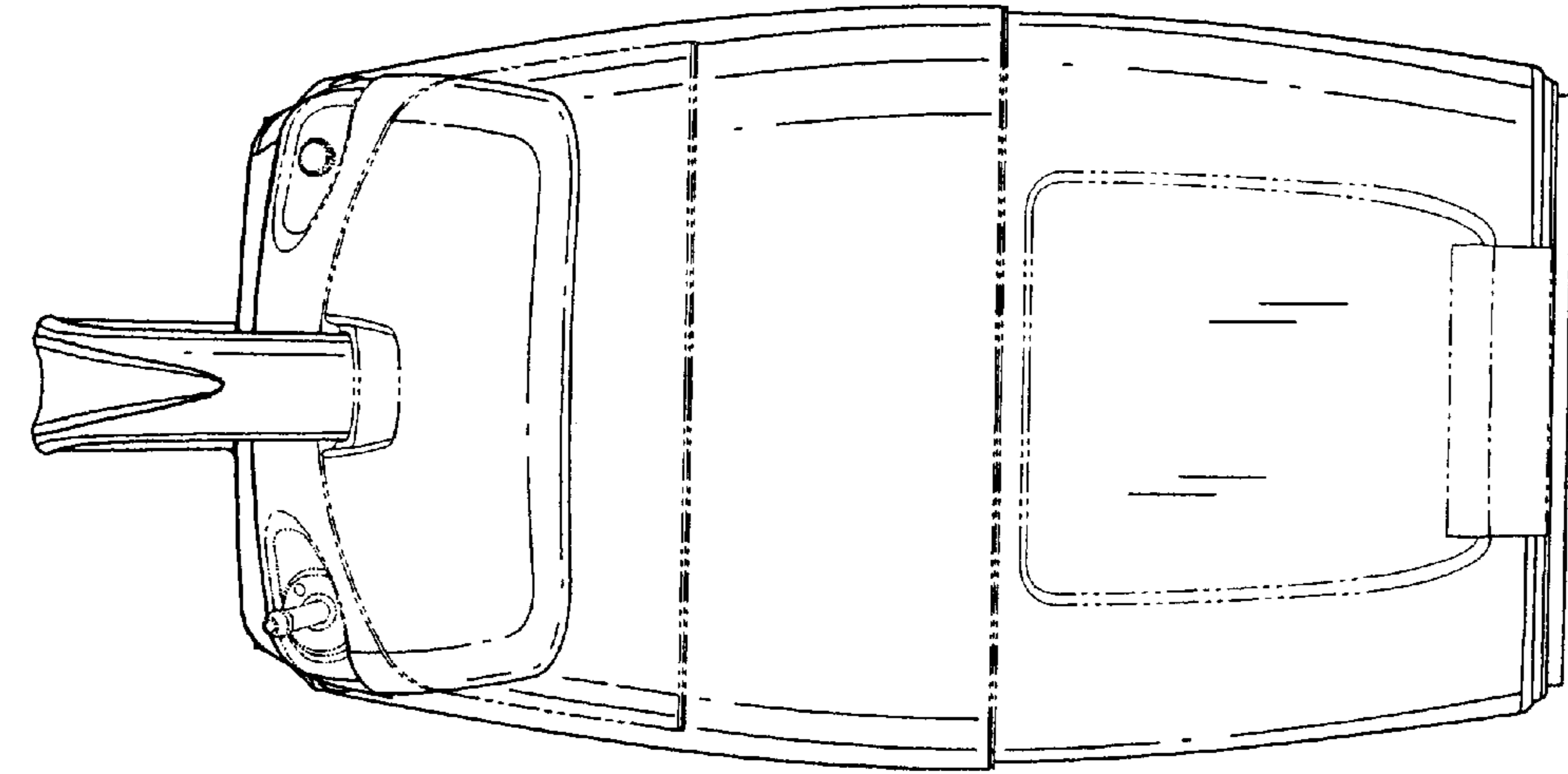


FIG. 2

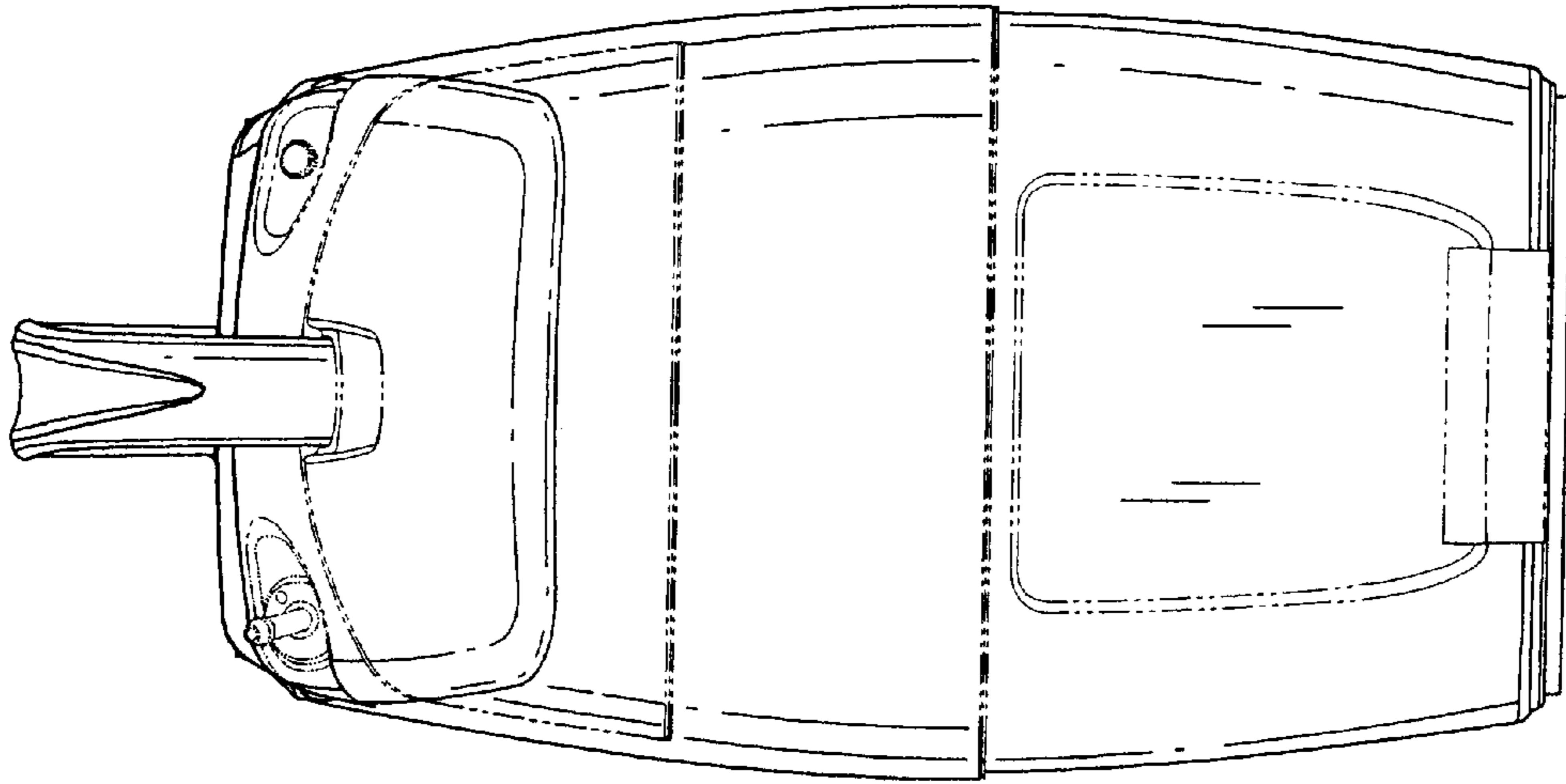


FIG. 3

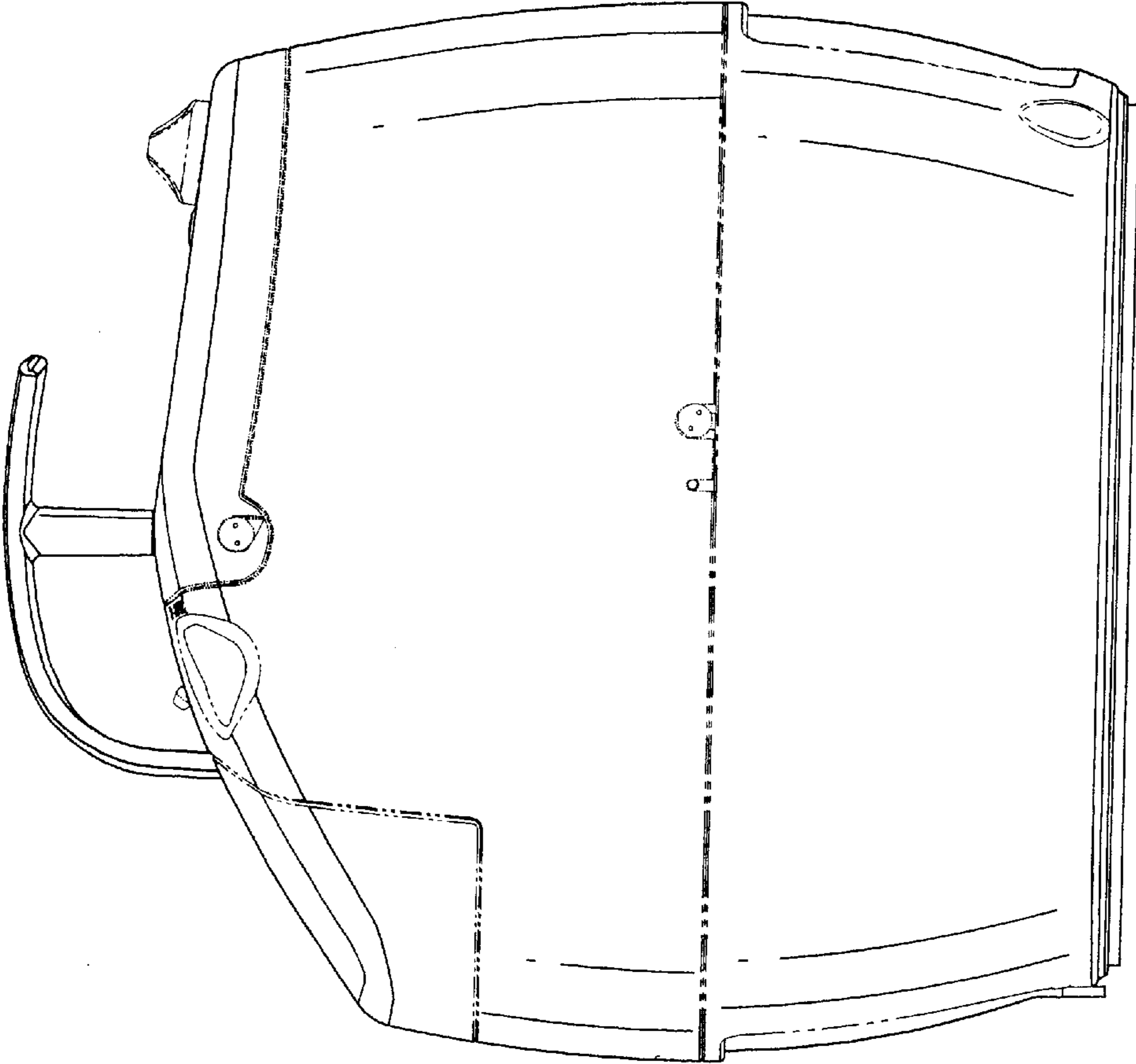
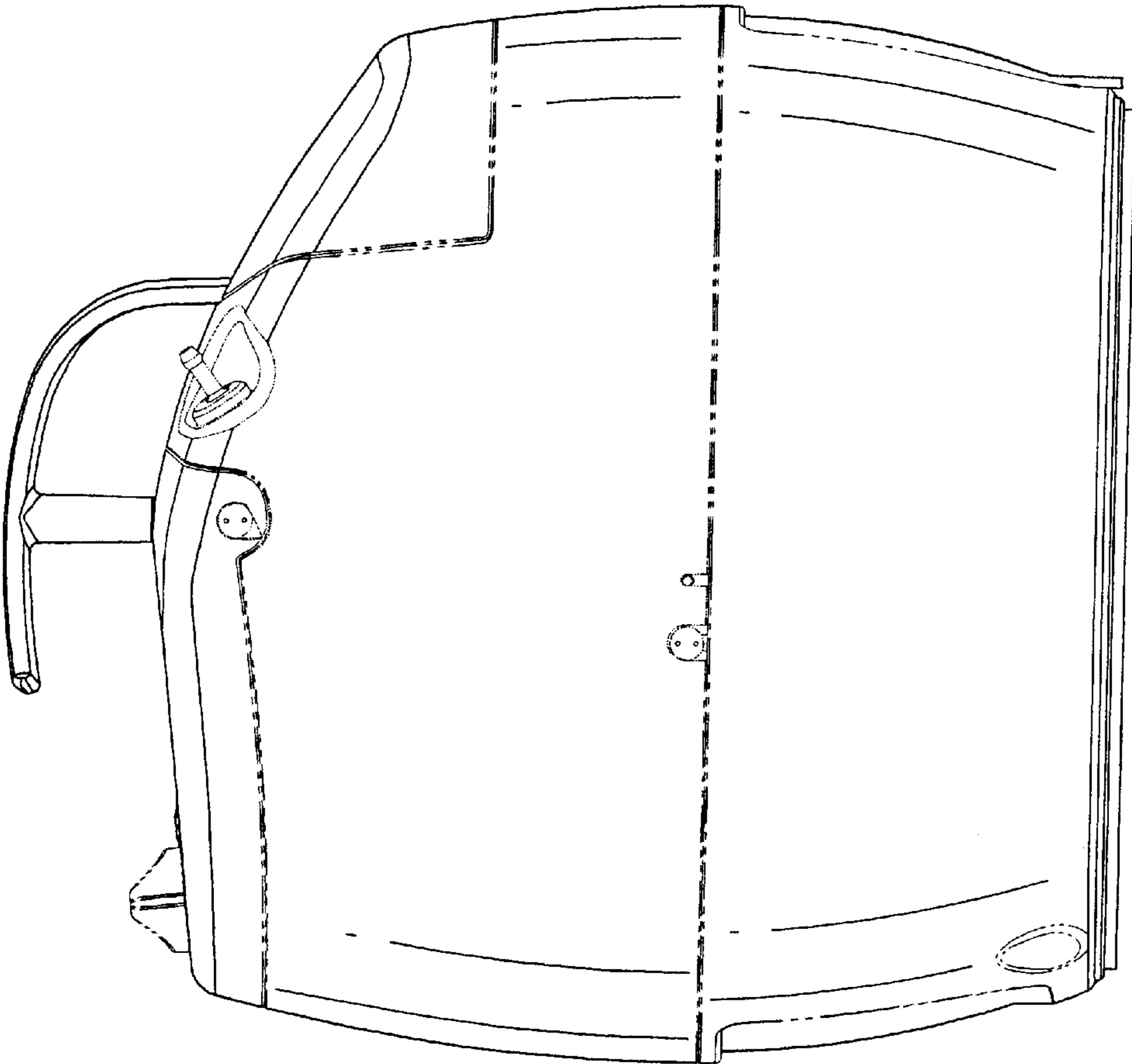
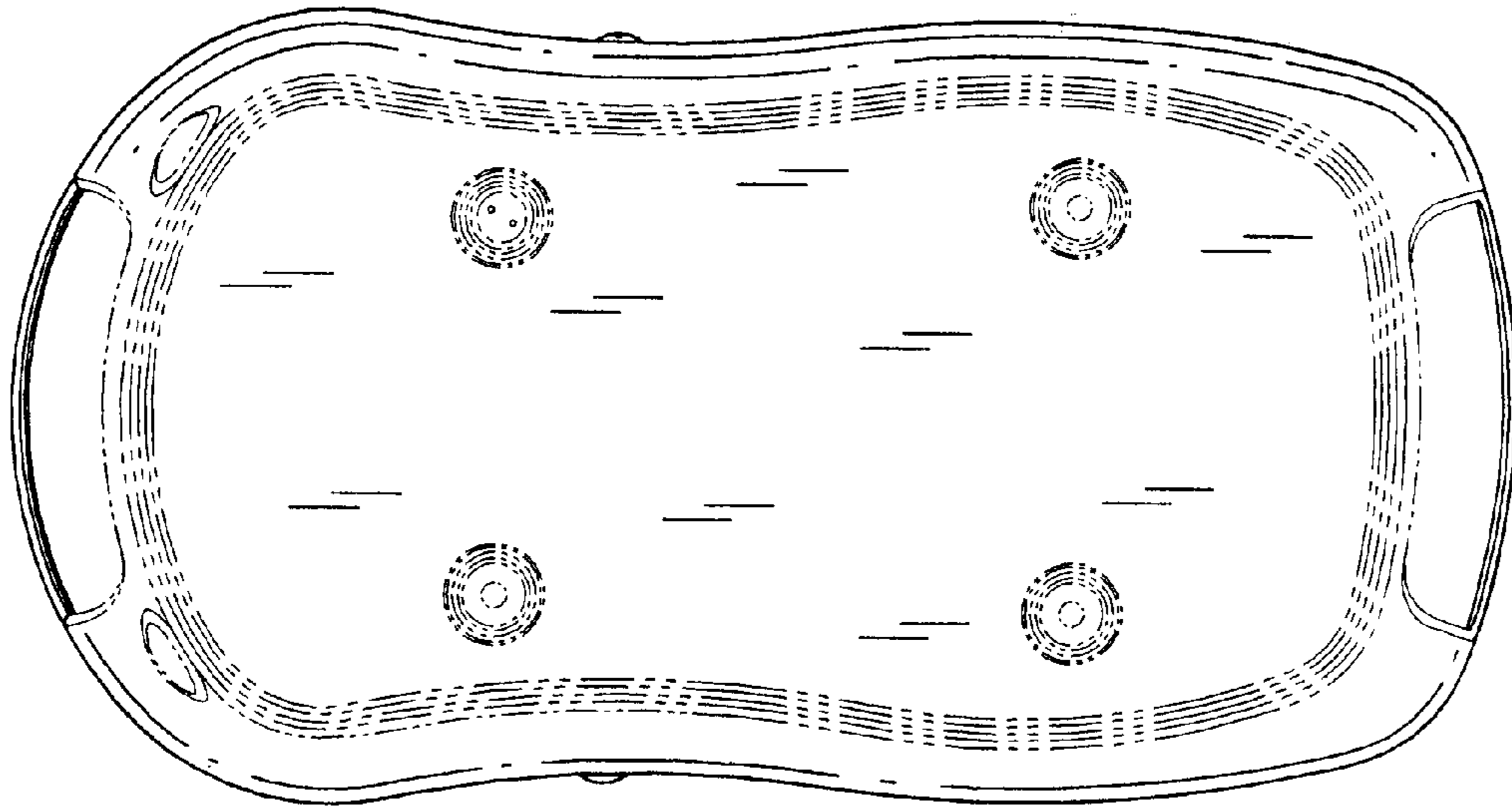


FIG. 4

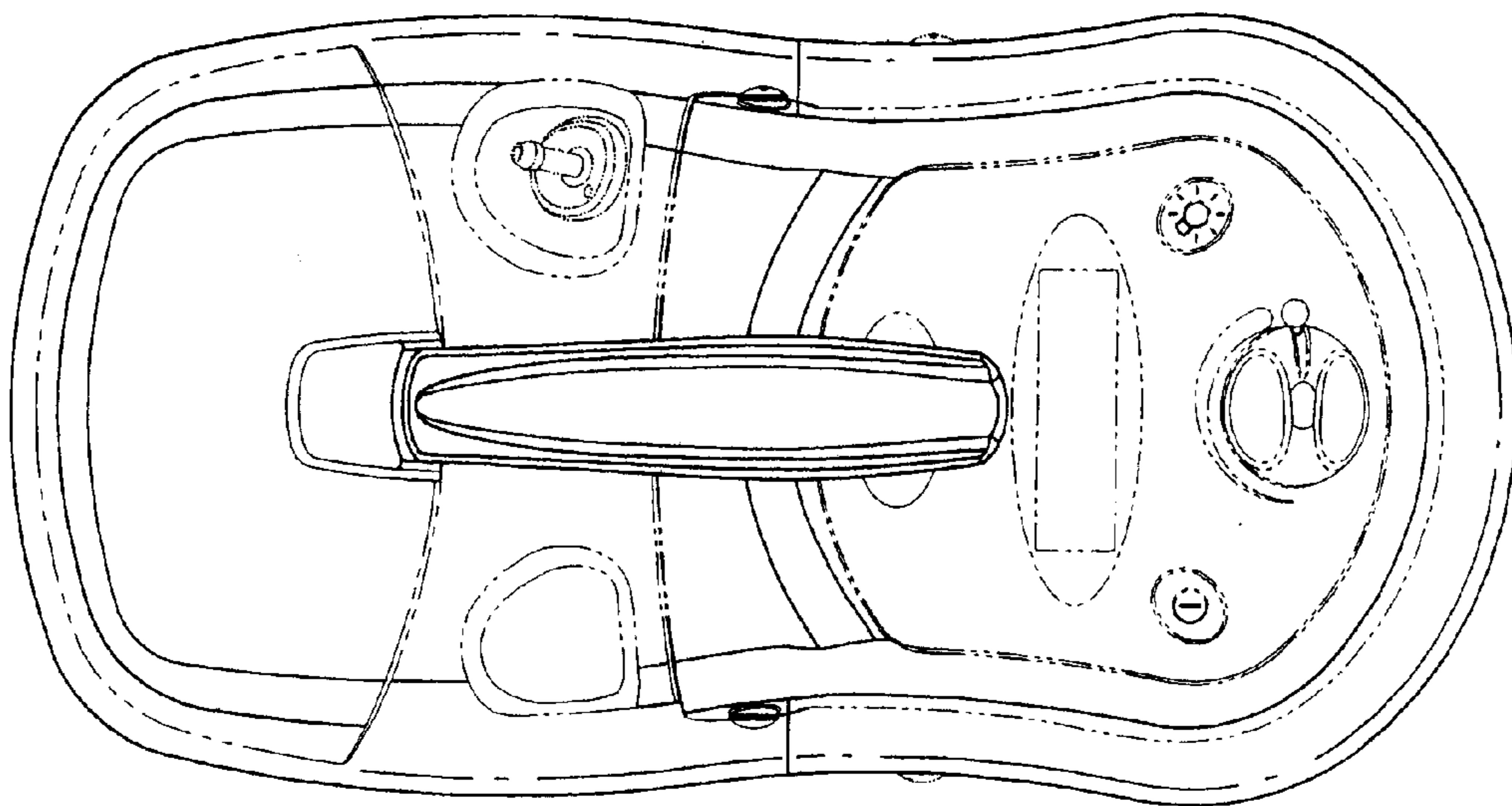


*FIG. 5*





*FIG. 7*



*FIG. 6*