



US00D528208S

(12) **United States Design Patent**  
**Moriyama**

(10) **Patent No.:** **US D528,208 S**

(45) **Date of Patent:** **\*\* Sep. 12, 2006**

(54) **ULTRASONIC MOUTH WASHING TOOL**

D434,501 S \* 11/2000 Redhage ..... D24/181  
D452,011 S \* 12/2001 Redhage ..... D24/181  
D509,028 S \* 8/2005 Farrell ..... D29/108

(75) Inventor: **Toshio Moriyama**, Kanagawa (JP)

(73) Assignee: **K. M. Sangyo Co., Ltd.**, Tokyo (JP)

(\*\*) Term: **14 Years**

(21) Appl. No.: **29/229,997**

(22) Filed: **May 13, 2005**

(30) **Foreign Application Priority Data**

Nov. 15, 2004 (JP) ..... 2004-034830

(51) **LOC (8) Cl.** ..... **24-02**

(52) **U.S. Cl.** ..... **D24/152**

(58) **Field of Classification Search** ..... D24/180-181,  
D24/176, 152-156, 107; 433/37-43, 76,  
433/165, 213-214, 102; 173/76; 606/130,  
606/2; 623/17.11; D29/108; 128/859-862  
See application file for complete search history.

(56) **References Cited**

**U.S. PATENT DOCUMENTS**

D215,685 S \* 10/1969 Helmer ..... D29/108  
D300,059 S \* 2/1989 Pier ..... D24/176  
D323,397 S \* 1/1992 Mann ..... D24/181  
D328,494 S \* 8/1992 Schwendeman et al. ... D24/176  
D358,889 S \* 5/1995 Wong ..... D24/181  
D408,919 S \* 4/1999 Cooley ..... D24/181  
D433,138 S \* 10/2000 Kesling ..... D24/181

**OTHER PUBLICATIONS**

U.S. Appl. No. 29/229,998, filed May 13, 2005, Inventor:  
Toshio Moriyama.

\* cited by examiner

*Primary Examiner*—Charles A. Rademaker

(74) *Attorney, Agent, or Firm*—Flynn, Thiel, Boutell &  
Tanis, P.C.

(57) **CLAIM**

The ornamental design for an ultrasonic mouth washing  
tool, as shown and described.

**DESCRIPTION**

FIG. 1 is a front elevation of an ultrasonic mouth washing  
tool showing my new design;

FIG. 2 is a top plan view thereof;

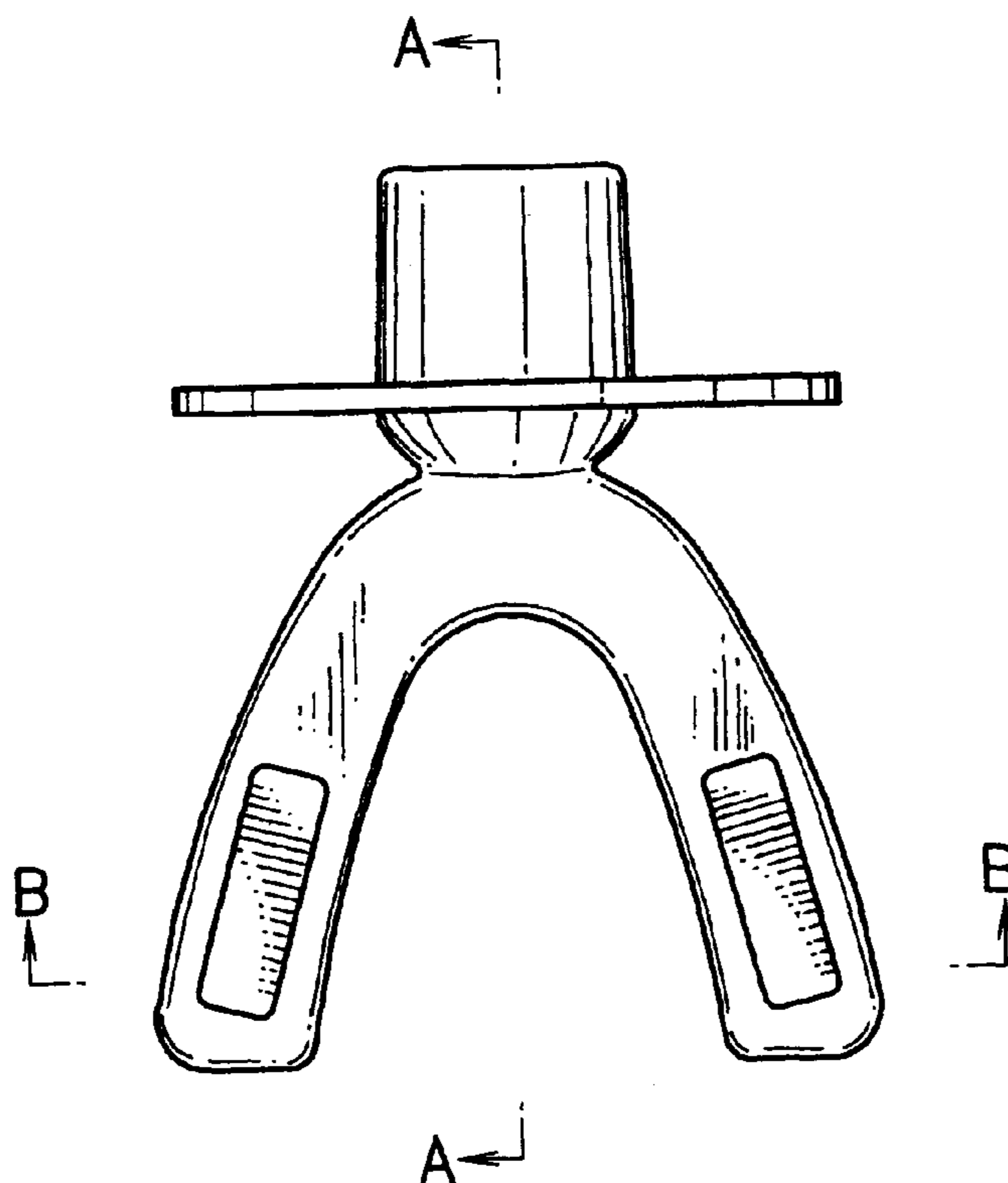
FIG. 3 is a bottom plan view thereof;

FIG. 4 is a left side elevation thereof, the side opposite being  
a mirror image;

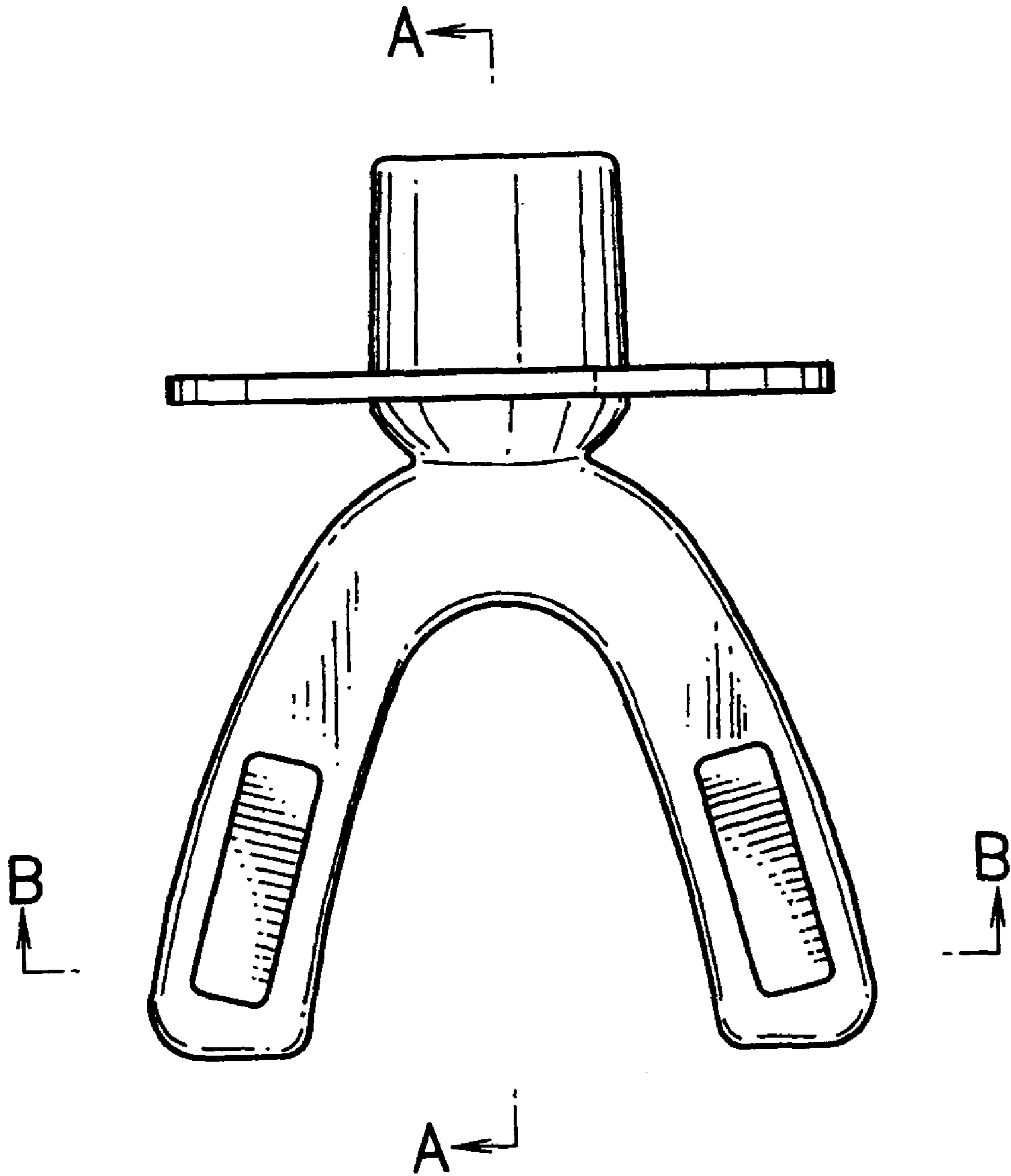
FIG. 5 is a cross sectional view thereof taken along line  
A—A in FIG. 1; and,

FIG. 6 is a cross sectional view thereof taken along line  
B—B in FIG. 1.

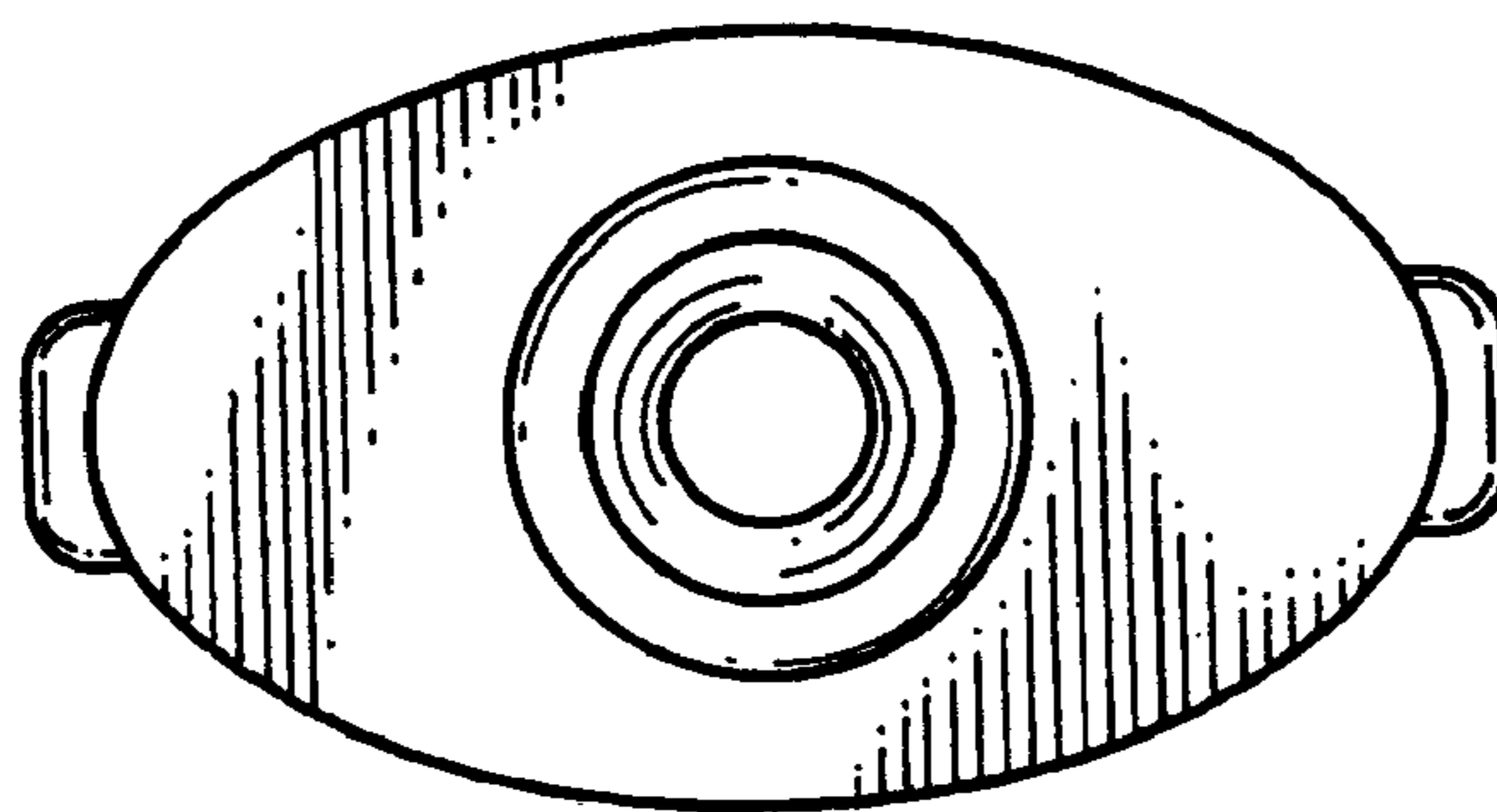
**1 Claim, 4 Drawing Sheets**



# FIG. 1



F I G. 2



F I G. 3

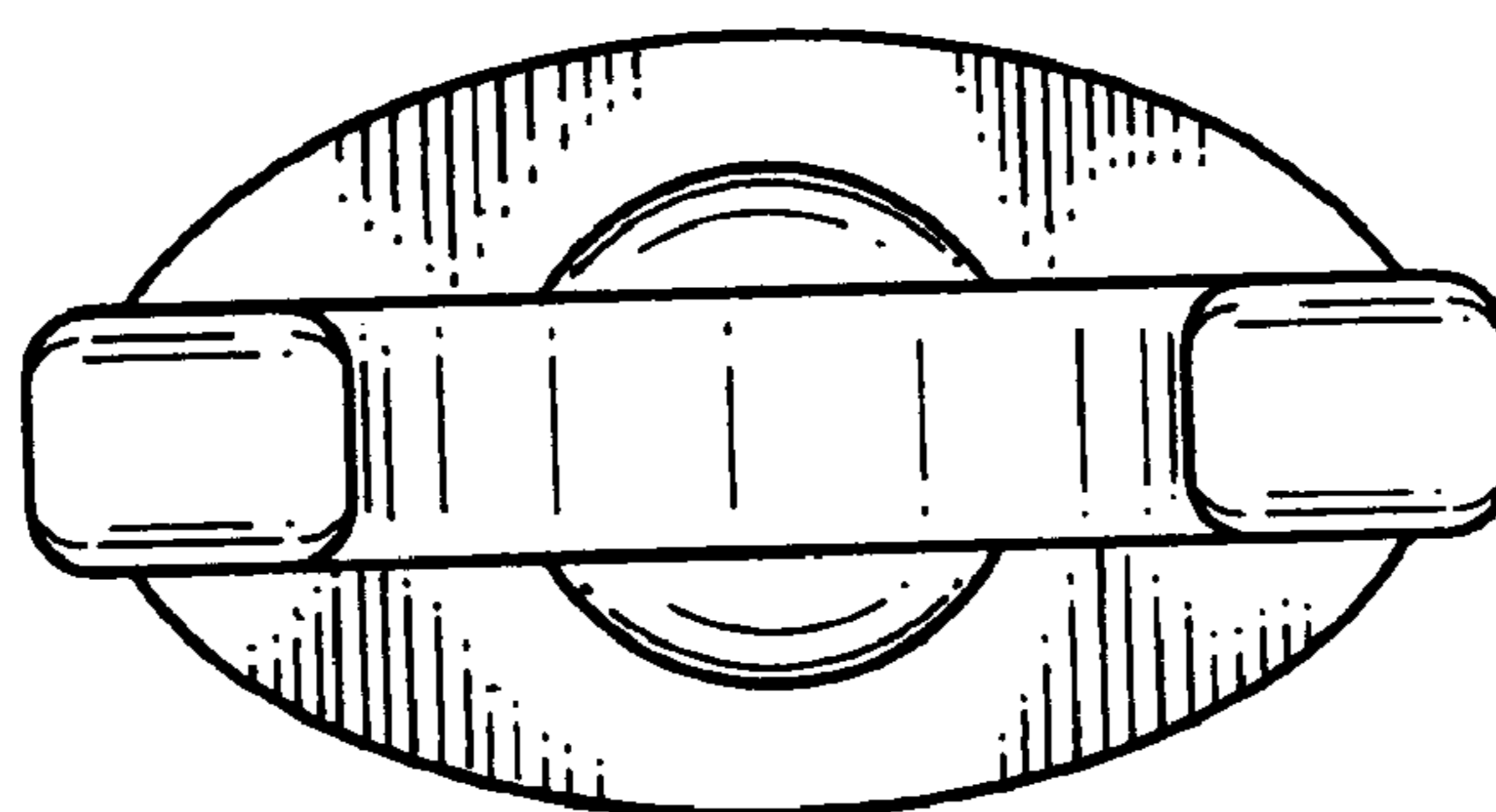
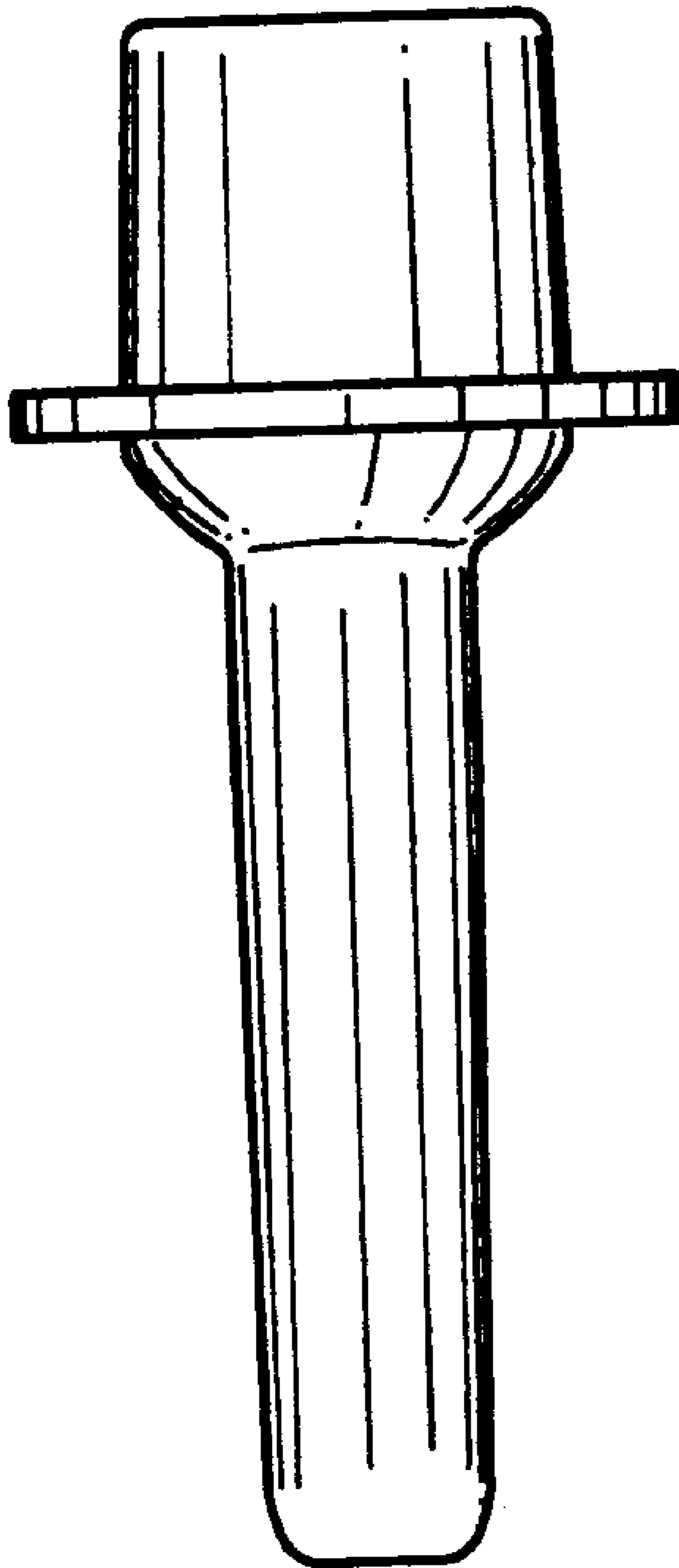
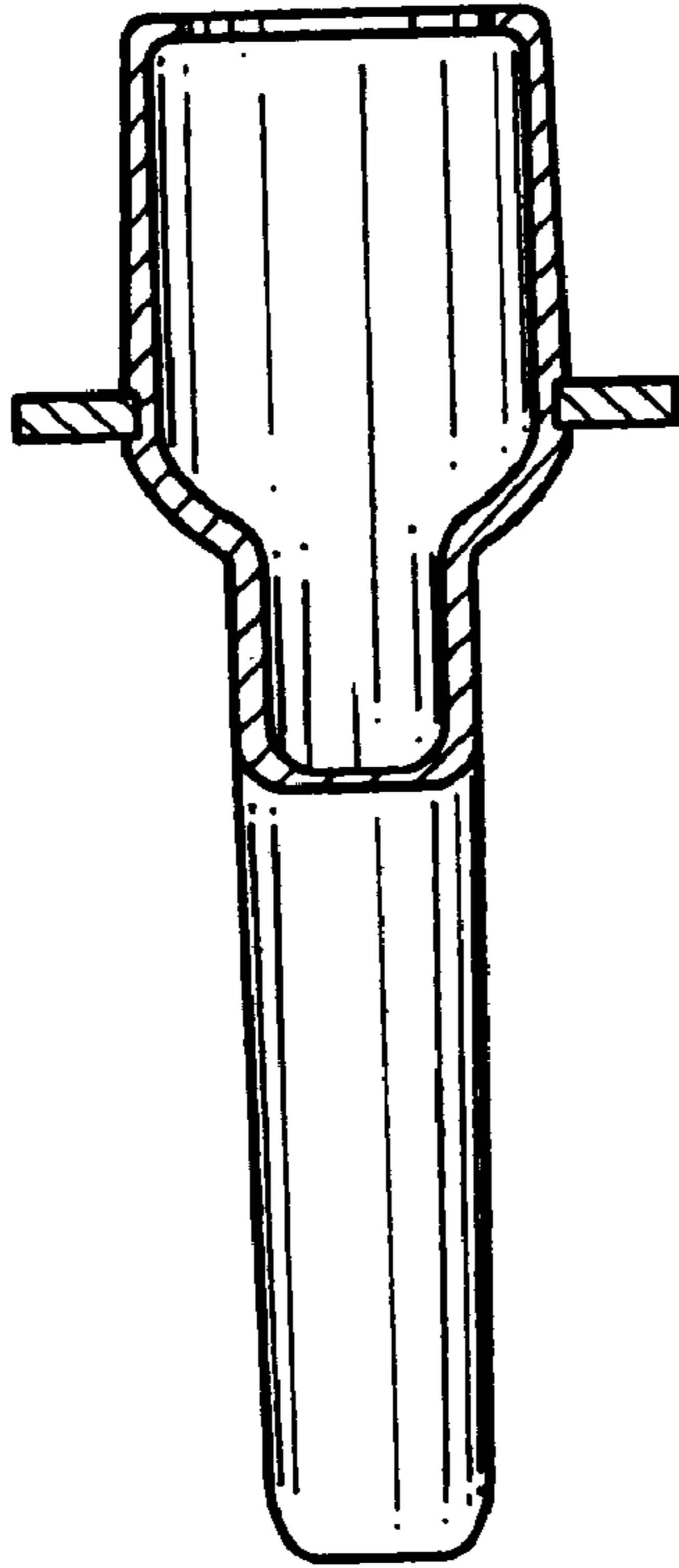


FIG. 4



F I G. 5



F I G. 6

