

US00D528204S

(12) **United States Design Patent**
Doty et al.

(10) **Patent No.:** **US D528,204 S**

(45) **Date of Patent:** **** Sep. 12, 2006**

(54) **HEARING PROTECTION DEVICE**

(75) Inventors: **Marc Doty**, Brownsburg, IN (US);
Richard Knauer, Carmel, IN (US)

(73) Assignee: **Cabot Safety Intermediate Corporation**, Newark, DE (US)

(**) Term: **14 Years**

(21) Appl. No.: **29/251,771**

(22) Filed: **Jan. 12, 2006**

Related U.S. Application Data

(62) Division of application No. 29/204,061, filed on Apr. 23, 2004.

(51) **LOC (8) Cl.** **24-04**

(52) **U.S. Cl.** **D24/106**

(58) **Field of Classification Search** D24/106;
128/864, 865, 866; 181/129, 130, 135
See application file for complete search history.

(56) **References Cited**

U.S. PATENT DOCUMENTS

D242,743 S * 12/1976 Leight D24/106

4,314,553 A * 2/1982 Westerdal 128/864
D466,995 S * 12/2002 Knauer et al. D24/106
D478,658 S * 8/2003 Falco D24/106
D496,722 S * 9/2004 Falco et al. D24/106

* cited by examiner

Primary Examiner—Ian Simmons

Assistant Examiner—Christopher Lee

(74) *Attorney, Agent, or Firm*—Cantor Colburn LLP

(57) **CLAIM**

The ornamental design for a hearing protection device, as shown and described.

DESCRIPTION

FIG. 1 is perspective view of a hearing protection device showing our new design;

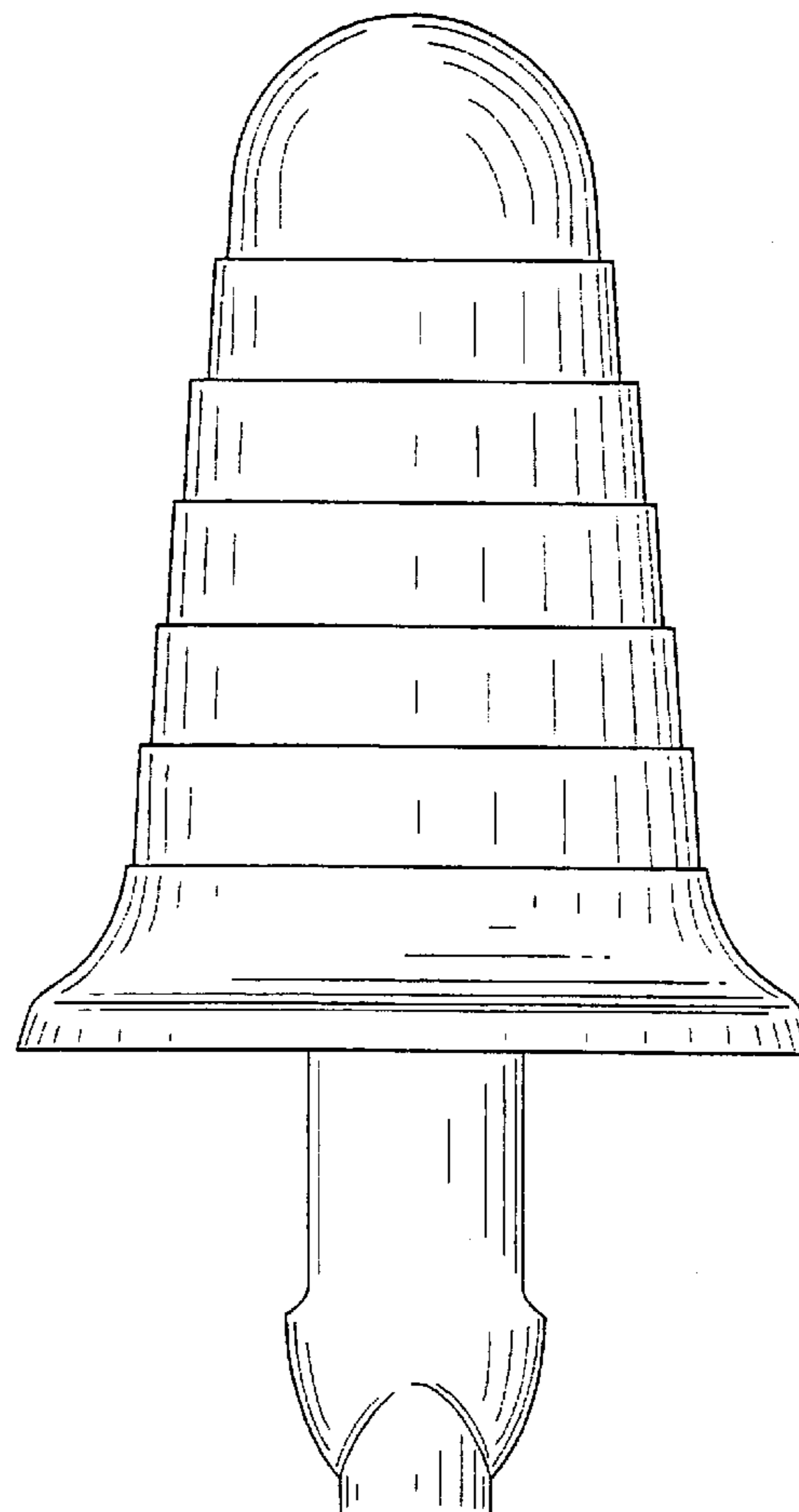
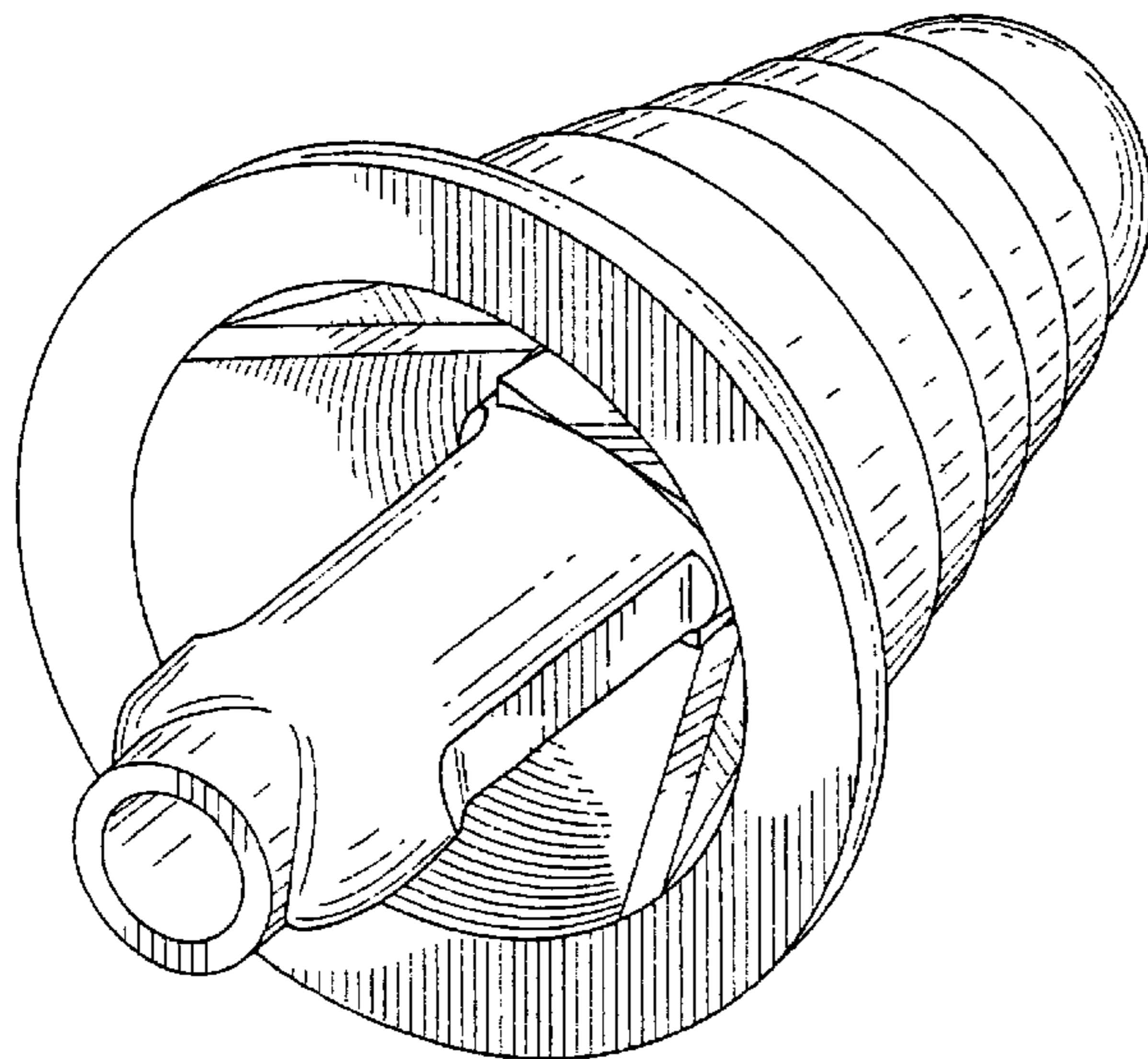
FIG. 2 is a front elevational view thereof, the opposite side being a mirror image;

FIG. 3 is a right side elevational view thereof, the opposite side being a mirror image;

FIG. 4 is a top plan view thereof; and,

FIG. 5 is a bottom plan view thereof.

1 Claim, 4 Drawing Sheets



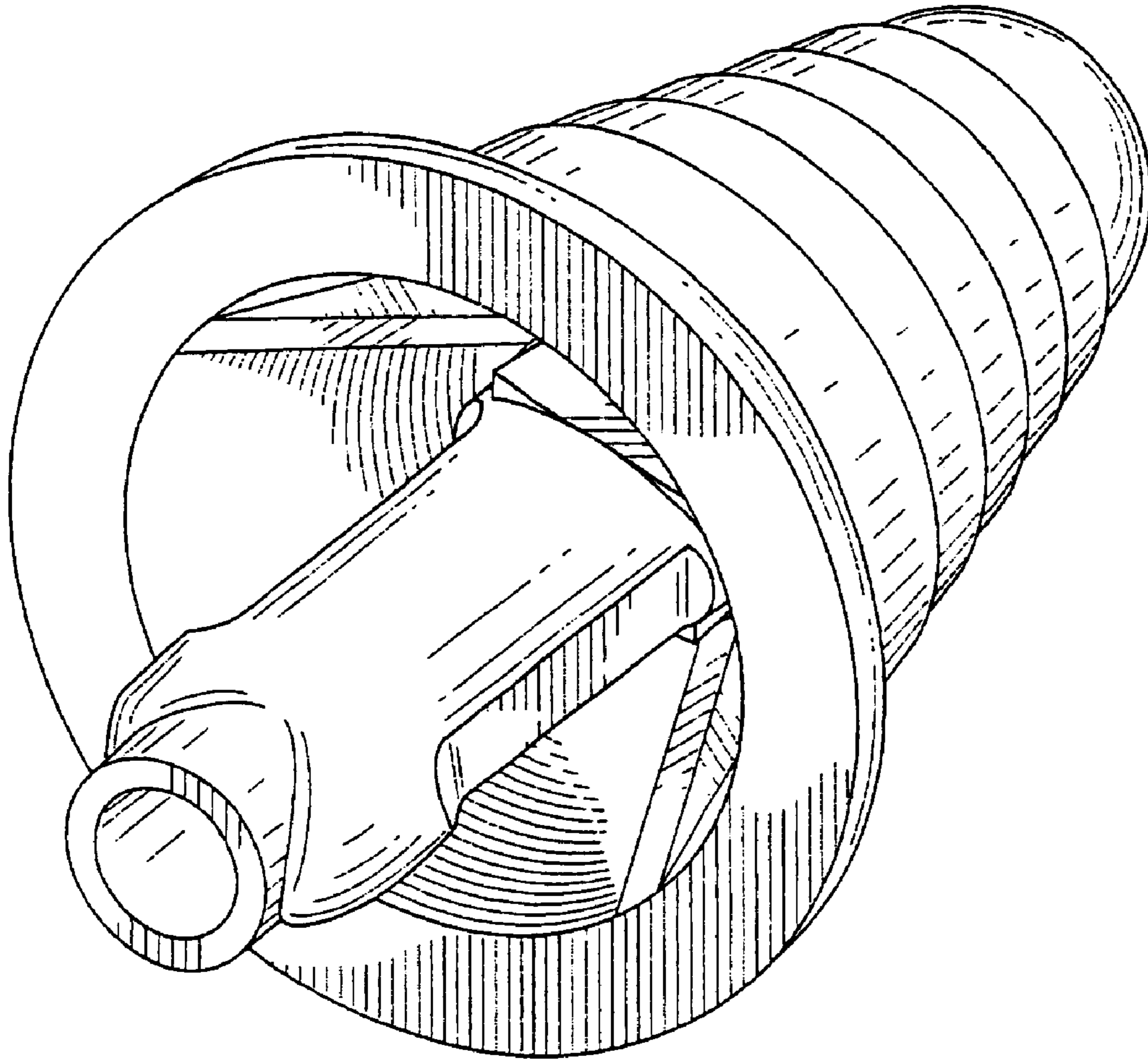


FIGURE 1

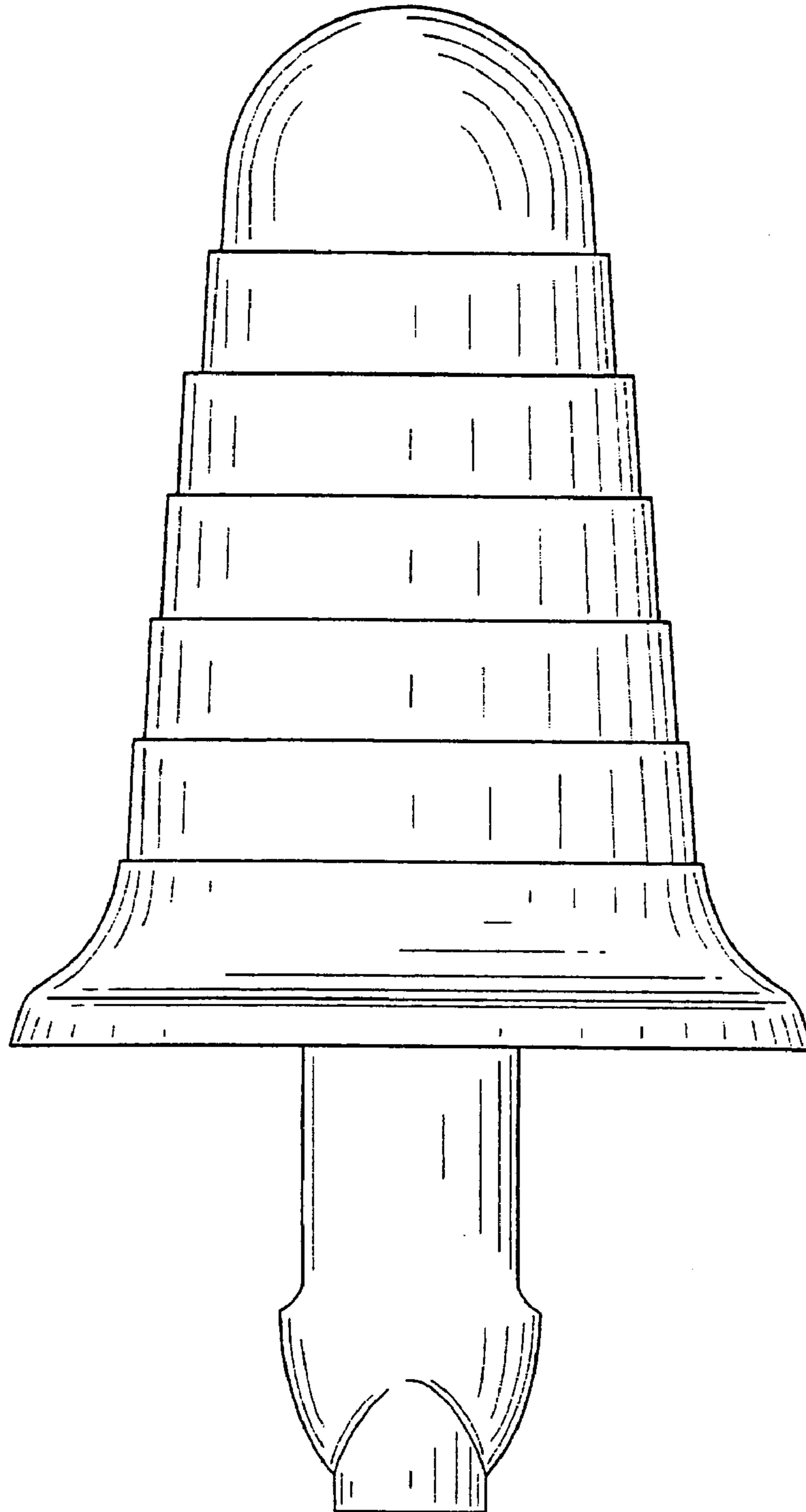


FIGURE 2

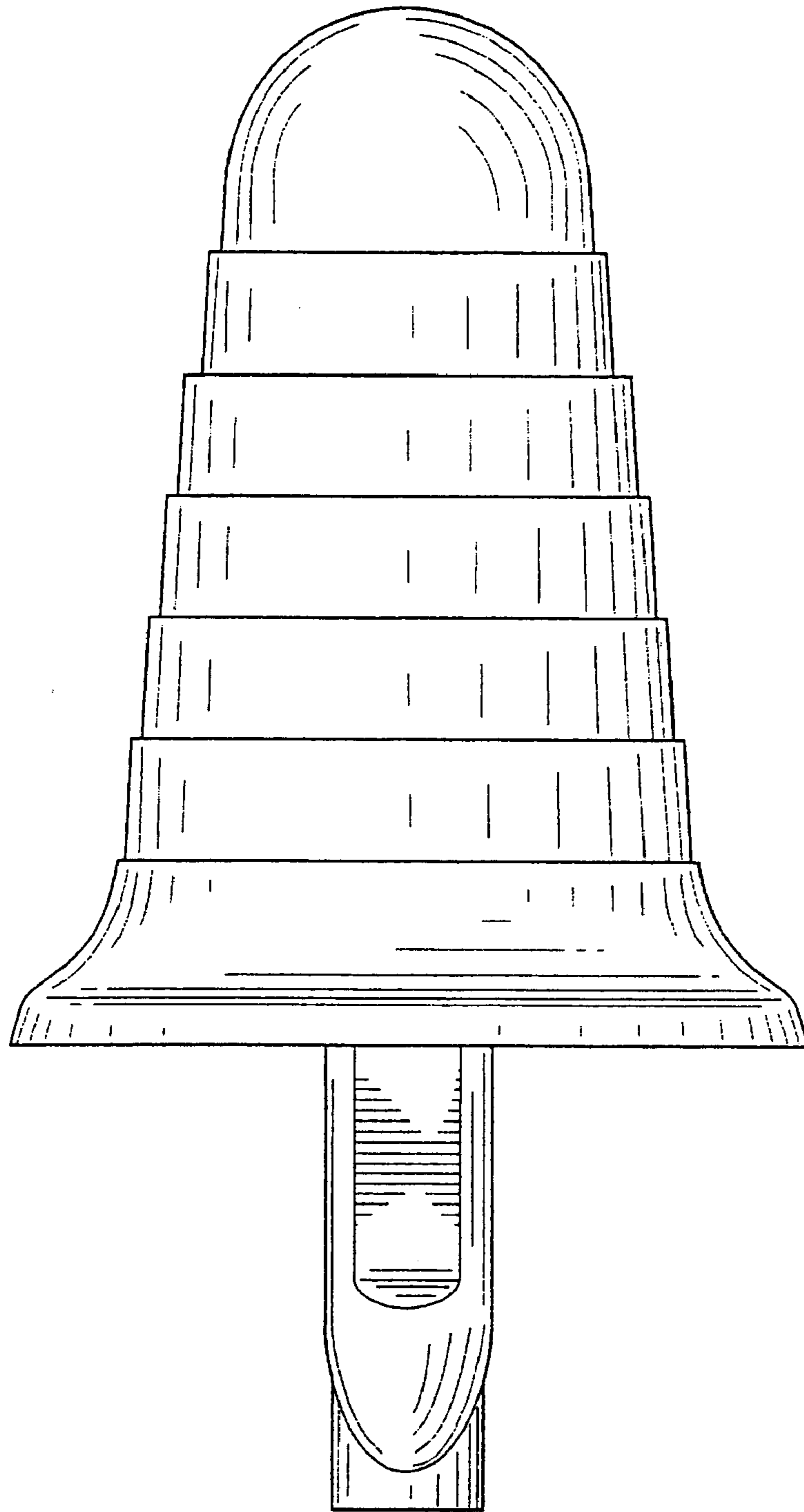


FIGURE 3

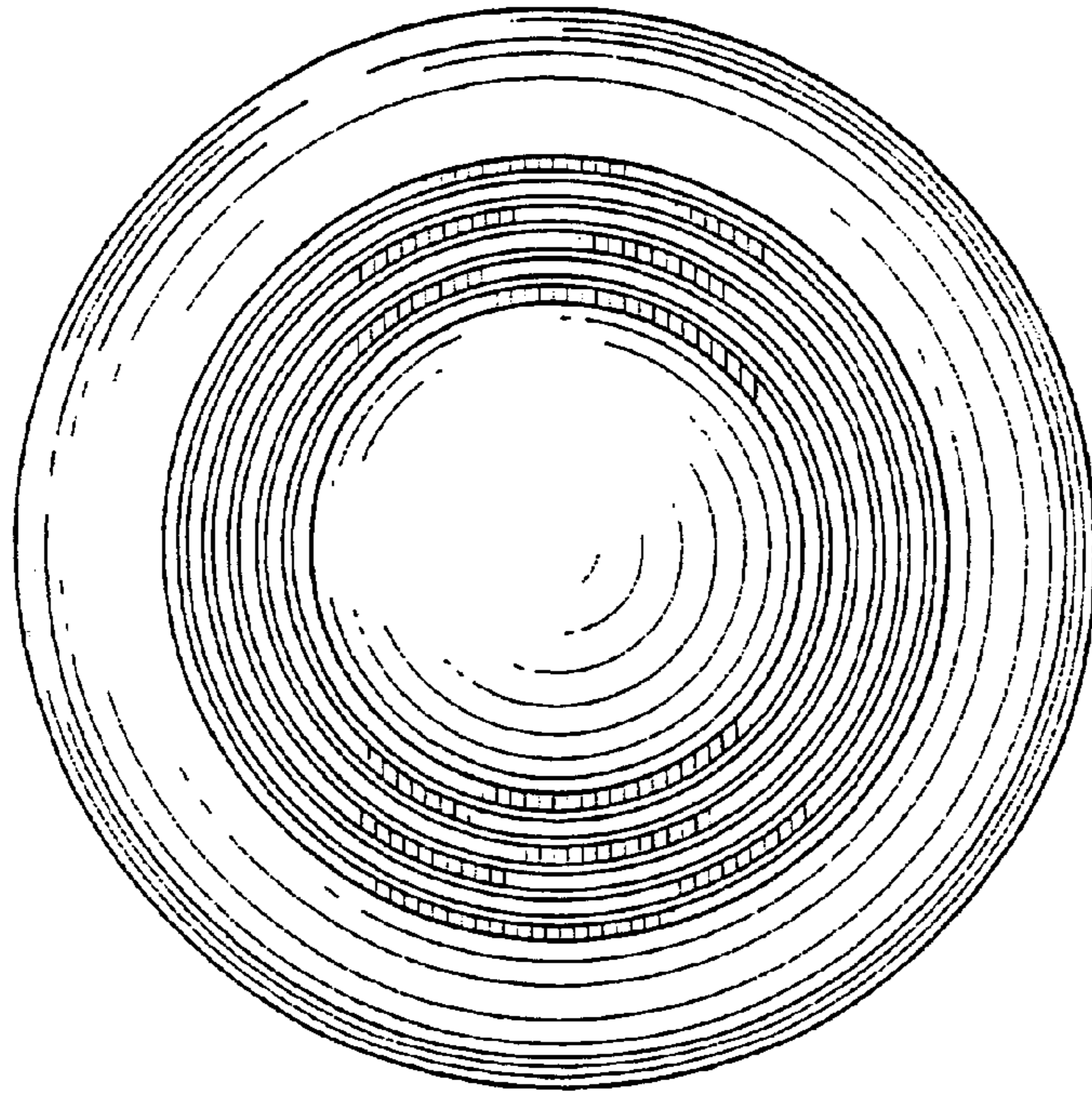


FIGURE 4

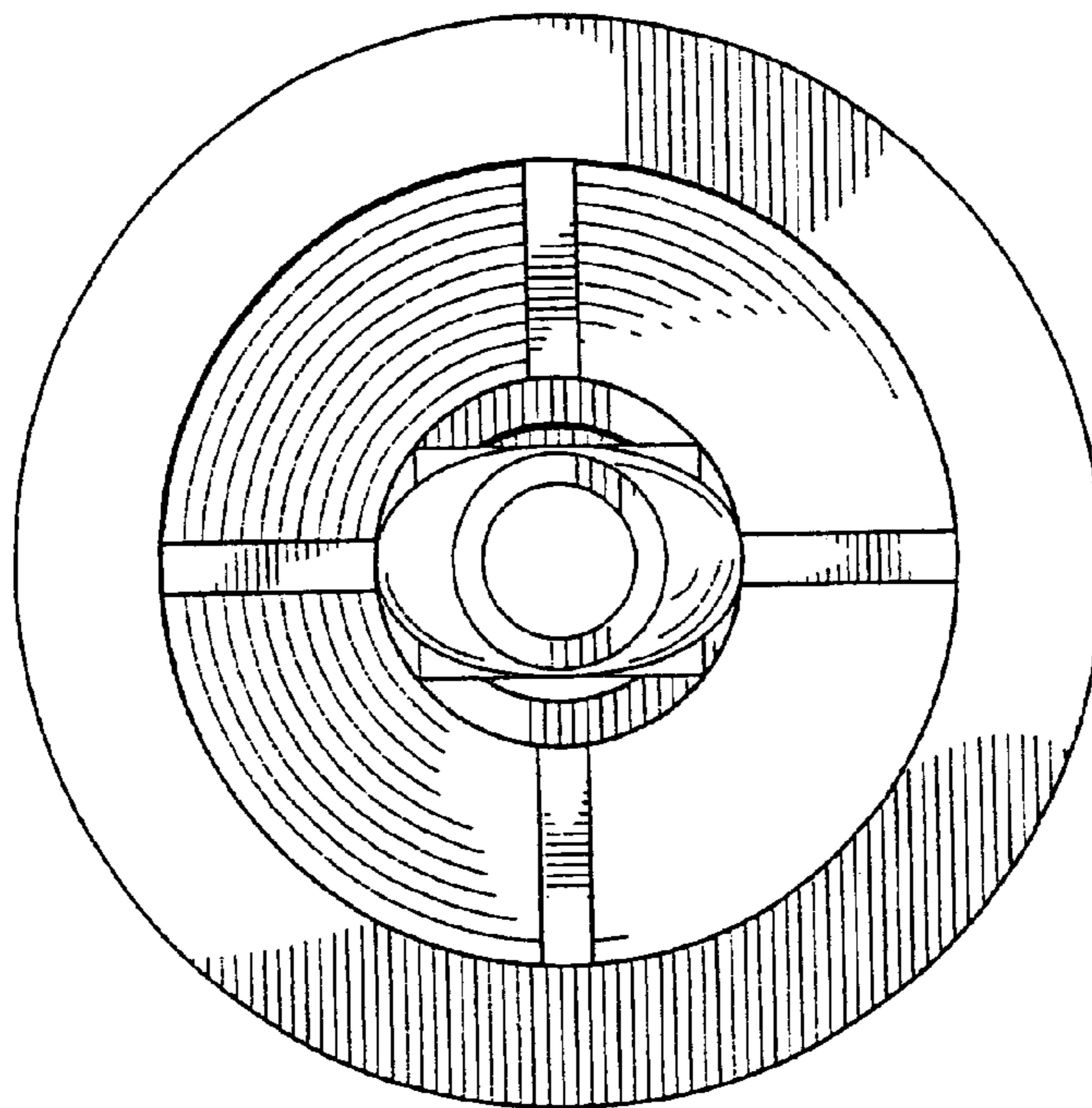


FIGURE 5