



US00D528200S

(12) **United States Design Patent**  
**Dooley**

(10) **Patent No.:** **US D528,200 S**

(45) **Date of Patent:** **\*\* Sep. 12, 2006**

(54) **BODY FOR A FAN**

(75) Inventor: **Thomas J. Dooley**, Springfield, PA  
(US)

(73) Assignee: **Lasko Holdings, Inc.**, Wilmington, DE  
(US)

(\*\*) Term: **14 Years**

(21) Appl. No.: **29/231,869**

(22) Filed: **Jun. 10, 2005**

(51) **LOC (8) Cl.** ..... **23-04**

(52) **U.S. Cl.** ..... **D23/411**

(58) **Field of Classification Search** ..... D23/370,  
D23/381, 332, 411; 416/5, 244 R, 247 R  
See application file for complete search history.

(56) **References Cited**

**U.S. PATENT DOCUMENTS**

D295,070 S \* 4/1988 Shin-Chin ..... D23/382

\* cited by examiner

*Primary Examiner*—Lisa Lichtenstein

(74) *Attorney, Agent, or Firm*—RatnerPrestia

(57) **CLAIM**

The ornamental design for a body for a fan, as shown and described.

**DESCRIPTION**

FIG. 1 is a right side front perspective view of a body for a fan showing my new design;

FIG. 2 is a rear perspective view thereof;

FIG. 3 is a front elevation view thereof;

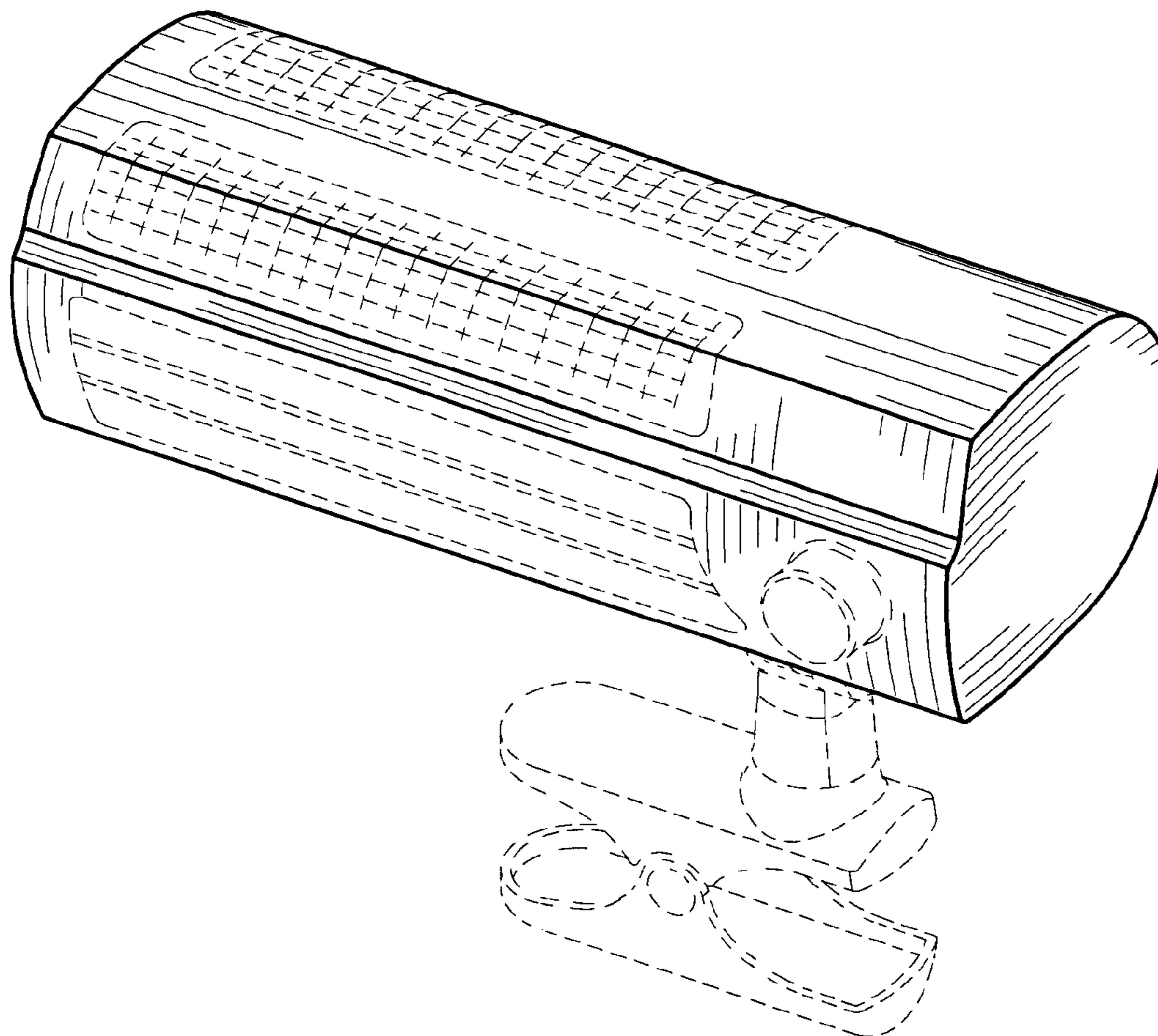
FIG. 4 is a side elevation view thereof, the opposite side being a mirror image of that shown;

FIG. 5 is a rear elevation view thereof; and,

FIG. 6 is a top plan view thereof.

The broken line showing of environmental structure in FIGS. 1–6 is for illustrative purposes only and forms no part of the claimed design.

**1 Claim, 6 Drawing Sheets**



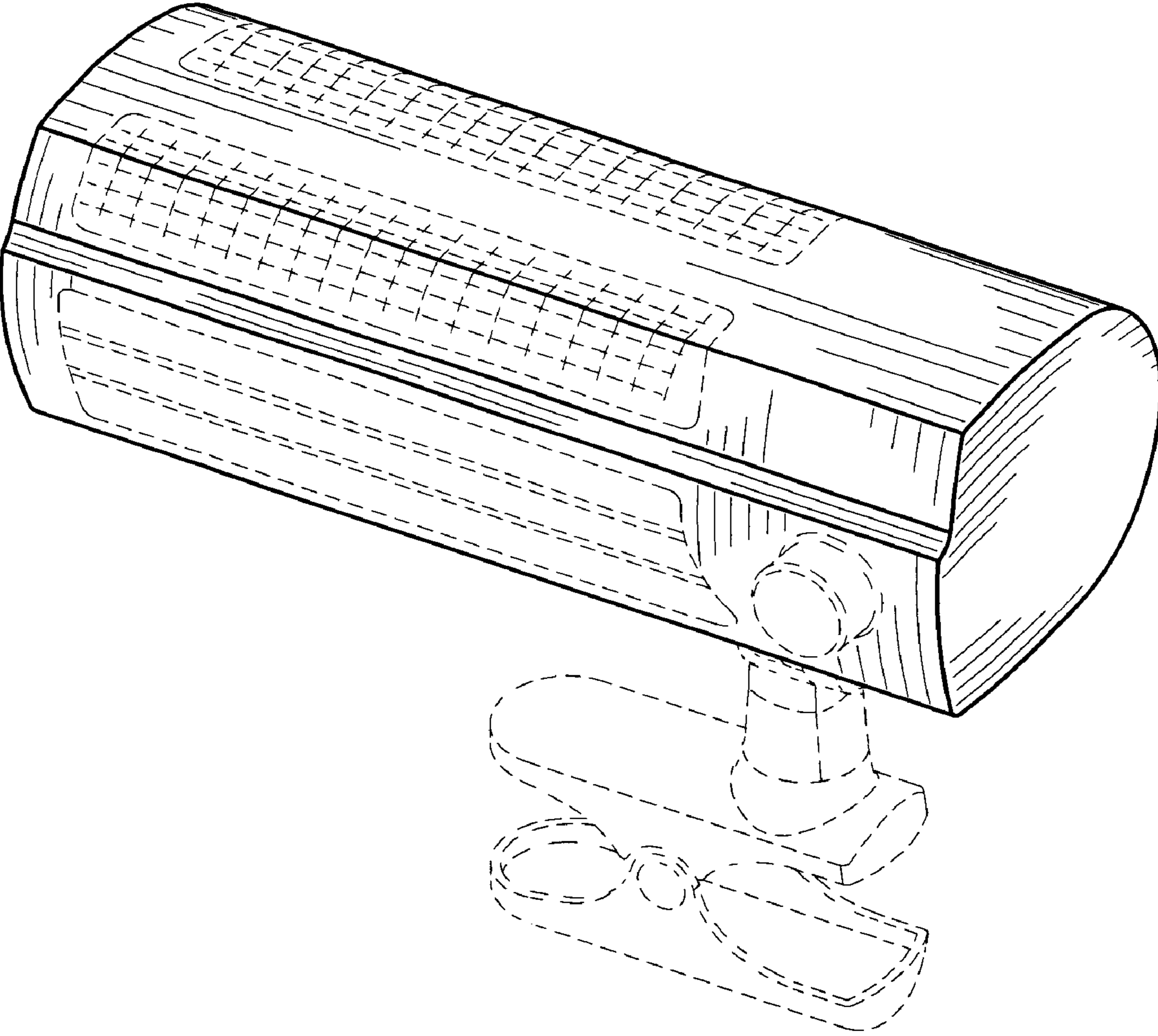


FIG. 1

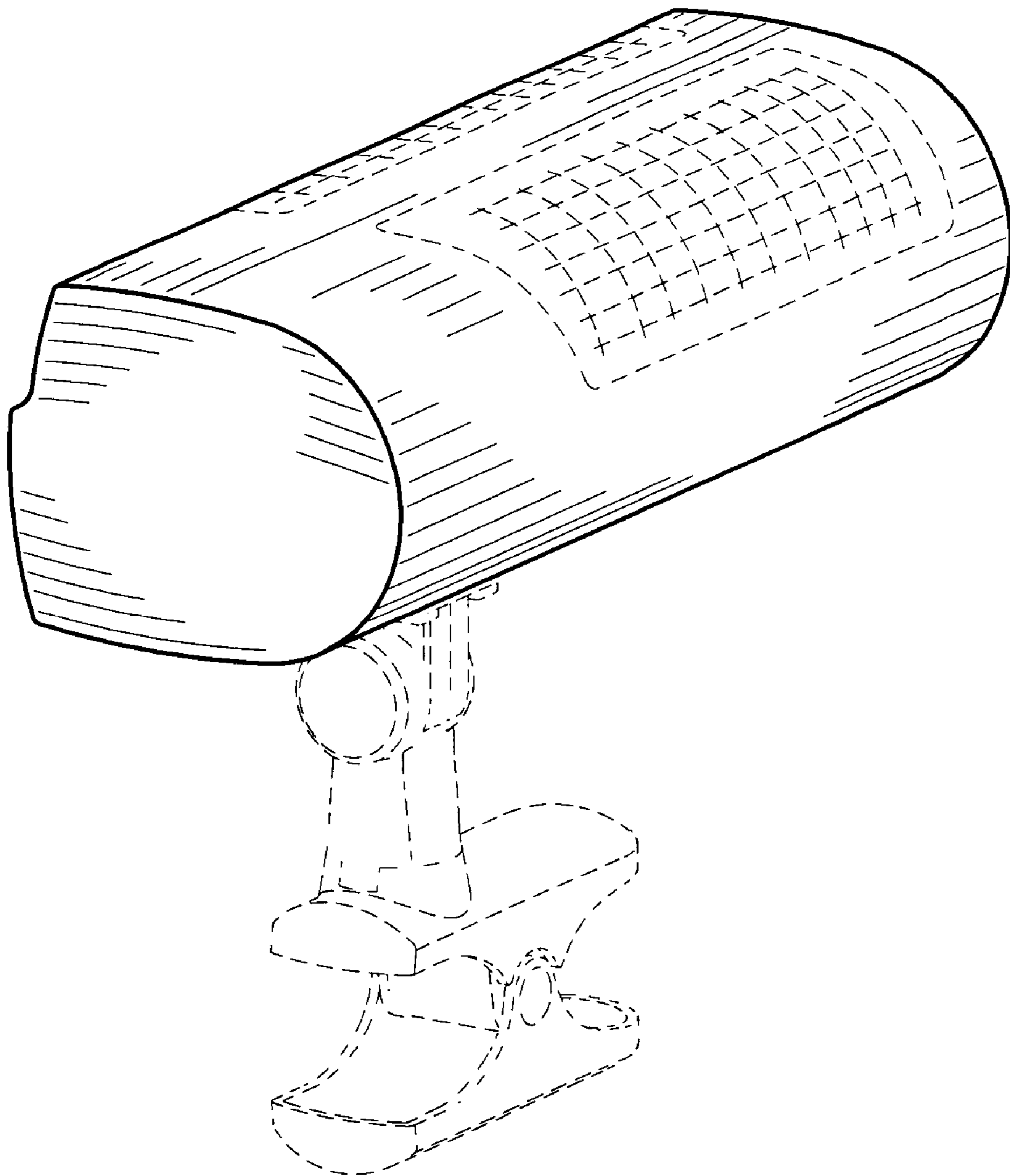


FIG. 2

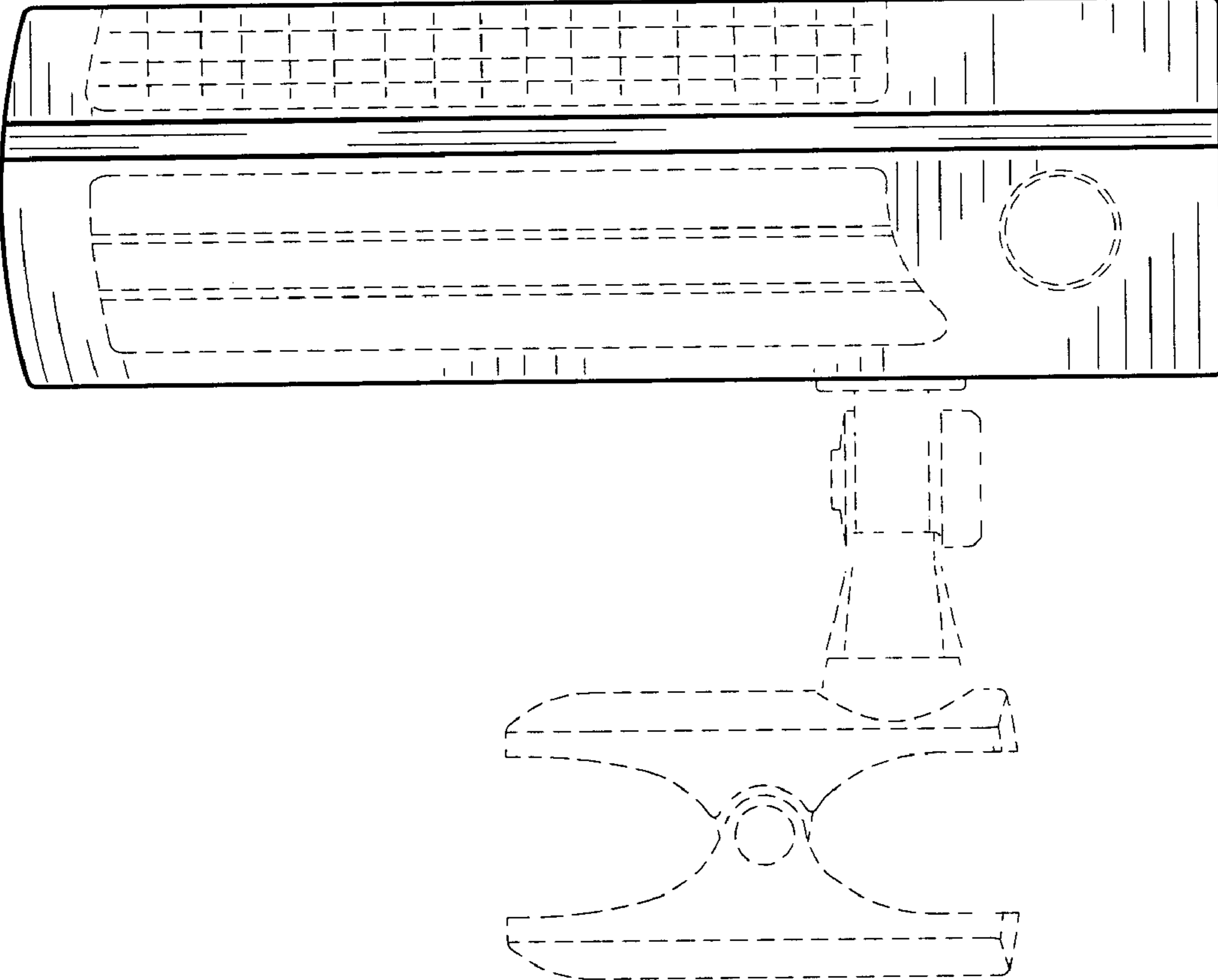
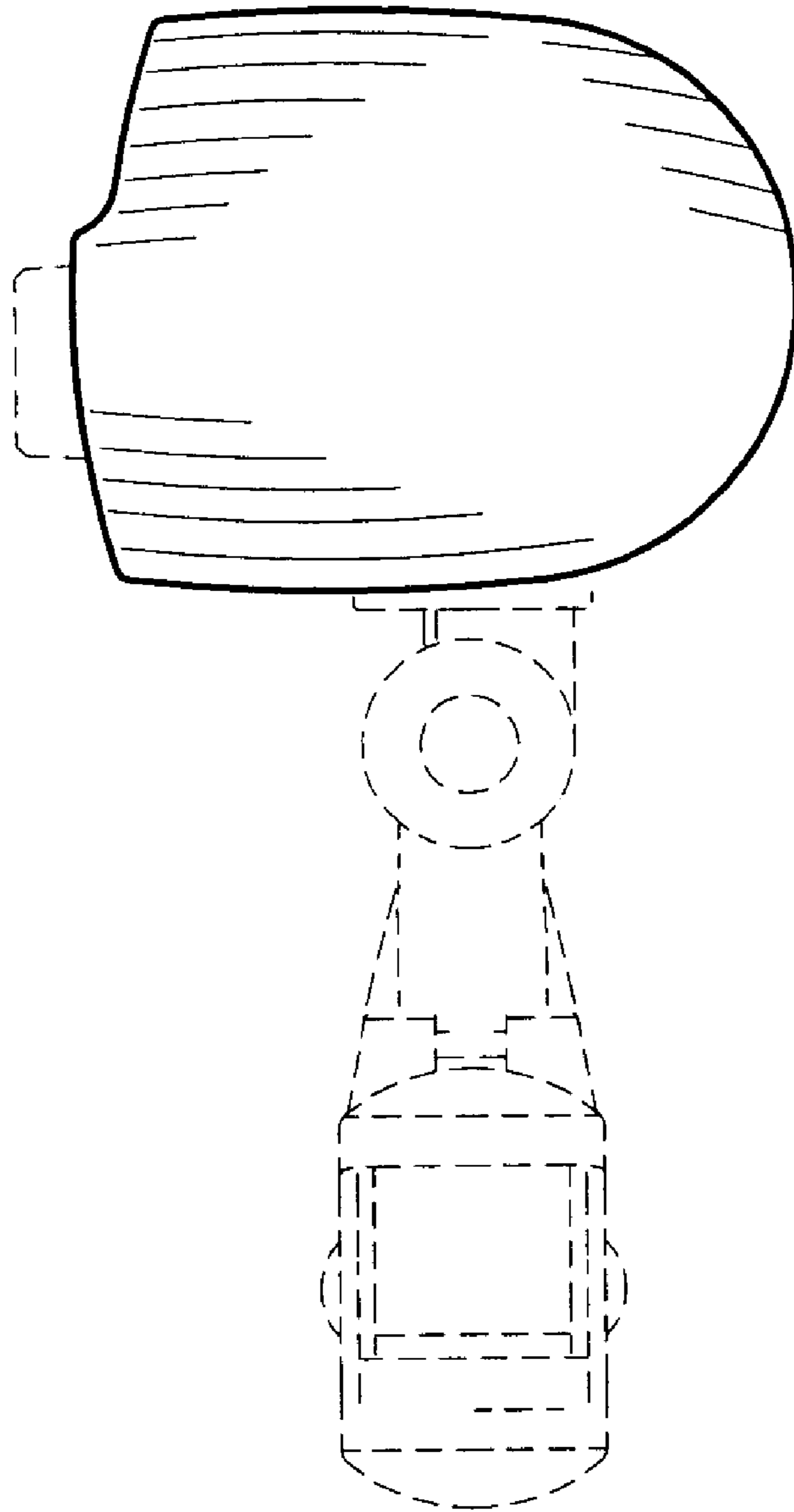


FIG. 3



*FIG. 4*

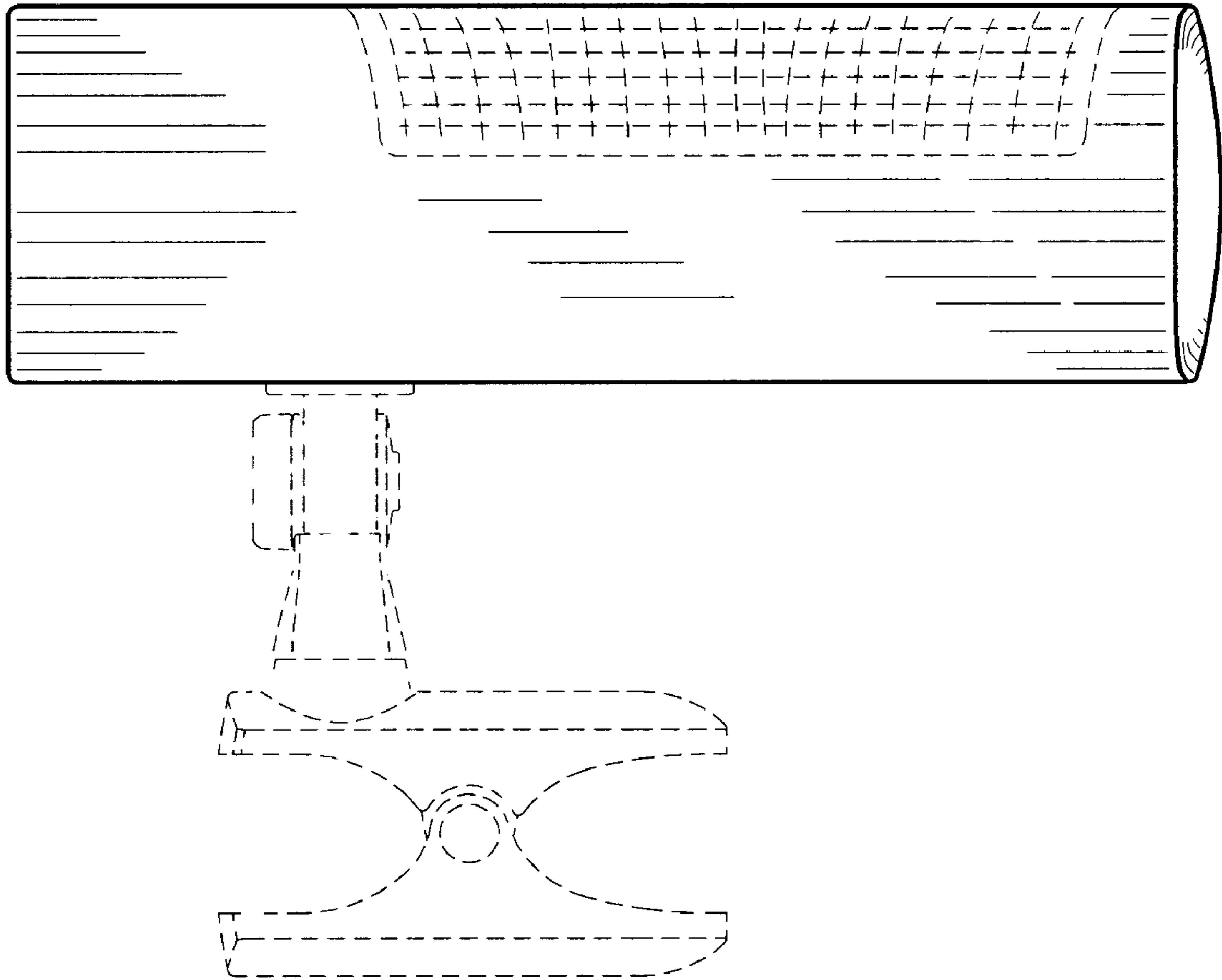


FIG. 5

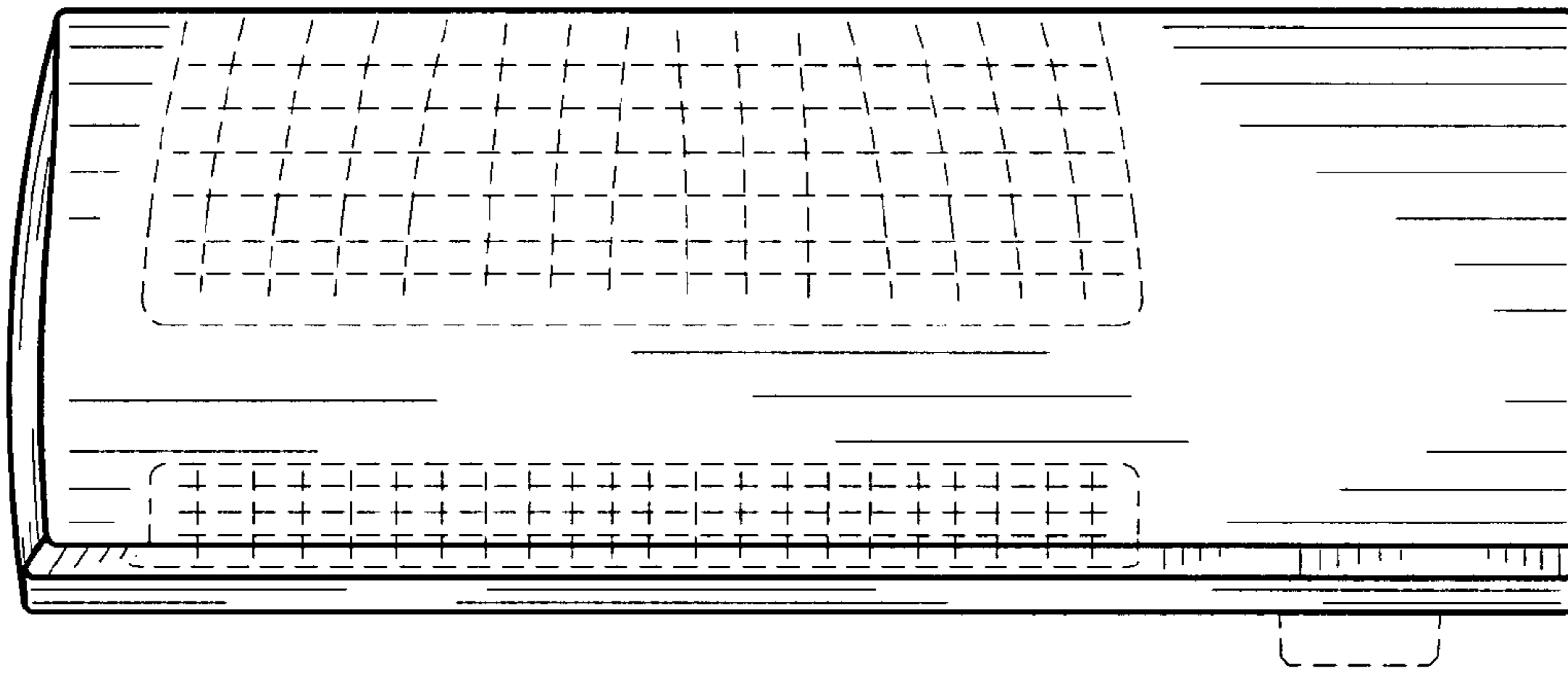


FIG. 6