



US00D528199S

(12) **United States Design Patent**  
**Hidalgo**

(10) **Patent No.:** **US D528,199 S**

(45) **Date of Patent:** **\*\* Sep. 12, 2006**

(54) **HOUSING**

(75) Inventor: **Rolando Hidalgo**, Orange, CA (US)

(73) Assignee: **Minka Lighting, Inc.**, Corona, CA (US)

(\*\*) Term: **14 Years**

(21) Appl. No.: **29/228,626**

(22) Filed: **Apr. 26, 2005**

(51) **LOC (8) Cl.** ..... **23-04**

(52) **U.S. Cl.** ..... **D23/411**

(58) **Field of Classification Search** ..... D23/377,  
D23/379, 385, 411; 416/5

See application file for complete search history.

(56) **References Cited**

**U.S. PATENT DOCUMENTS**

D363,540 S	*	10/1995	Yen	.....	D23/411
D440,647 S	*	4/2001	Lee	.....	D23/377
D504,501 S	*	4/2005	Young	.....	D23/377

**OTHER PUBLICATIONS**

Minka Lighting, Inc.; MinkaAire 2005 catalog; Jan. 2005; pp. 20–21; Minka Lighting, Inc.; U.S.A.  
Minka Lighting, Inc.; MinkaAire 2005 catalog; Jan. 2005; pp. 48–49; Minka Lighting, Inc.; U.S.A.  
Minka Lighting, Inc.; MinkaAire 2005 catalog; Jan. 2005; pp. 62–63; Minka Lighting, Inc.; U.S.A.  
Minka Lighting, Inc.; MinkaAire 2005 catalog; Jan. 2005; pp. 66–67; Minka Lighting, Inc.; U.S.A.

Ellington Internet Catalog; The Neoclassic; Model #ELNCL52NC5LKRC; printed from www.fansworksoulet.com on Apr. 20, 2005.

Monte Carlo Internet Catalog; Premier; Model #MC-5PR52FB; printed from www.hansenwholesale.com on Apr. 21, 2005.

\* cited by examiner

*Primary Examiner*—Lisa Lichtenstein

(74) *Attorney, Agent, or Firm*—Baker & McKenzie LLP

(57) **CLAIM**

The ornamental design for a housing, as shown and described.

**DESCRIPTION**

FIG. 1 is a perspective view from below of a housing in accordance with my design;

FIG. 2 is a greatly reduced top plan view of the housing in accordance with my design;

FIG. 3 is a greatly reduced bottom plan view of the housing in accordance with my design;

FIG. 4 is a reduced side elevation view of the housing in accordance with my design; and,

FIG. 5 is a reduced front elevation view of the housing in accordance with my design.

FIGS. 4 and 5 are identical except for the positioning of the fan blades.

The broken lines showing environmental structure are for illustrative purposes and form no part of the claimed invention.

**1 Claim, 5 Drawing Sheets**

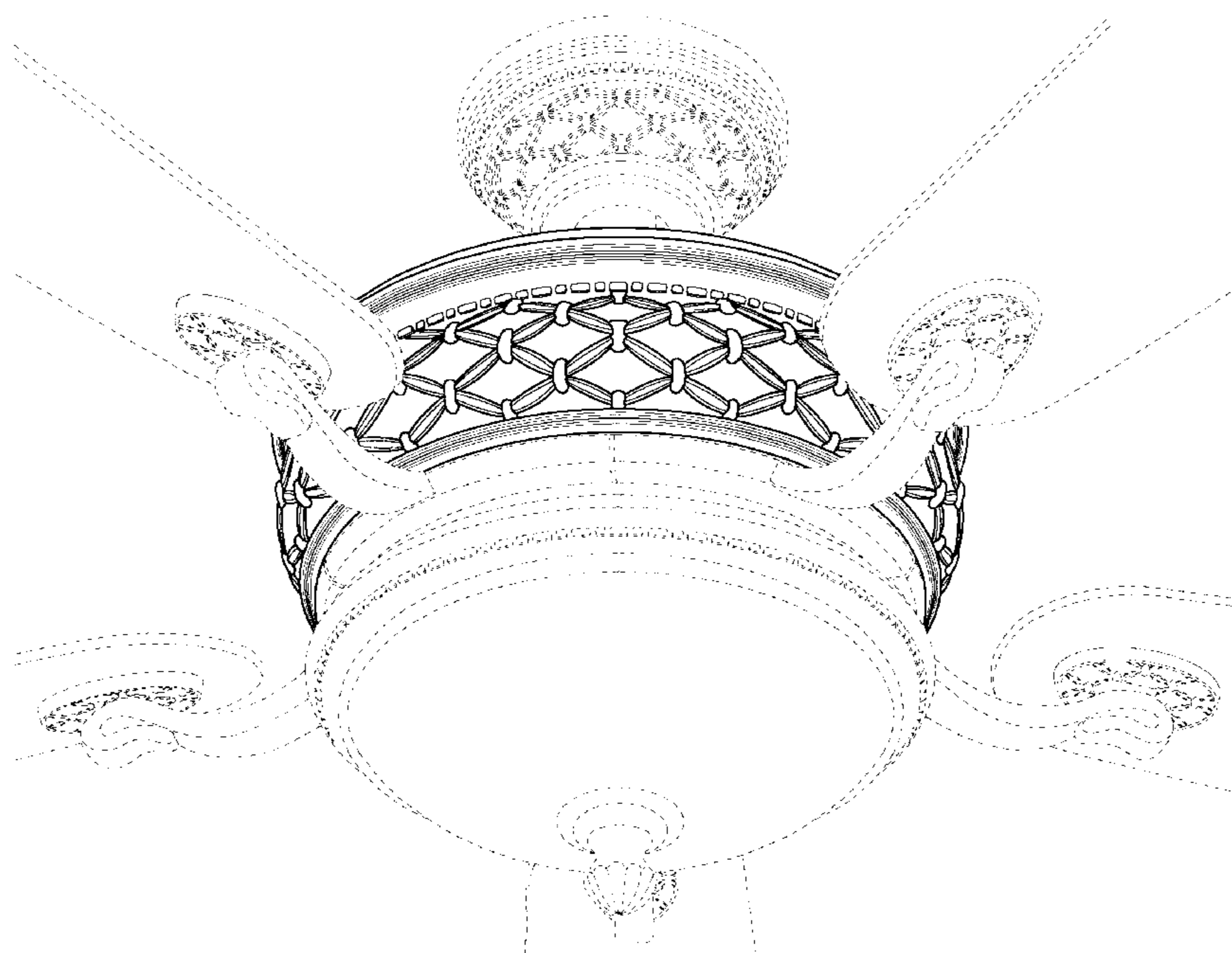
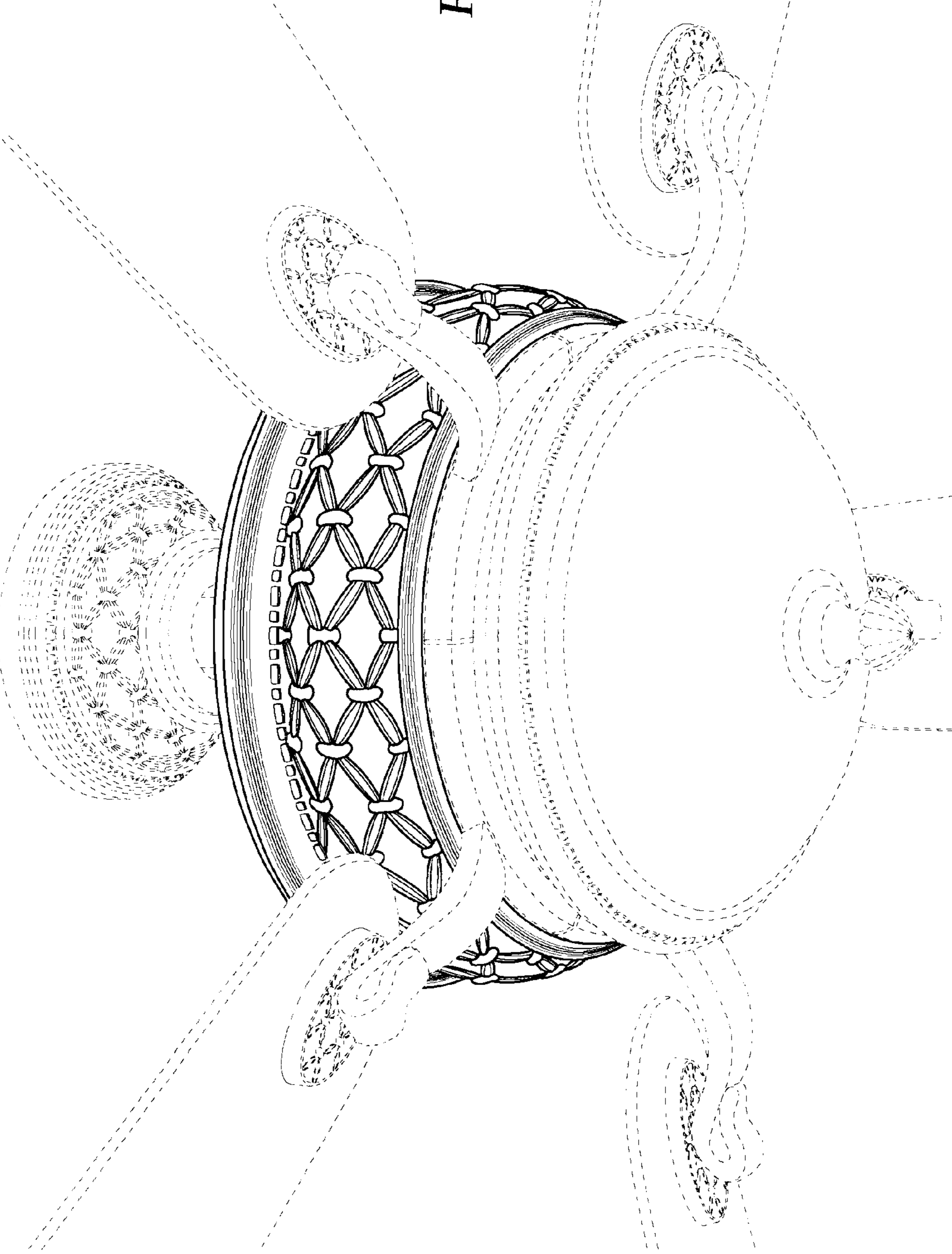
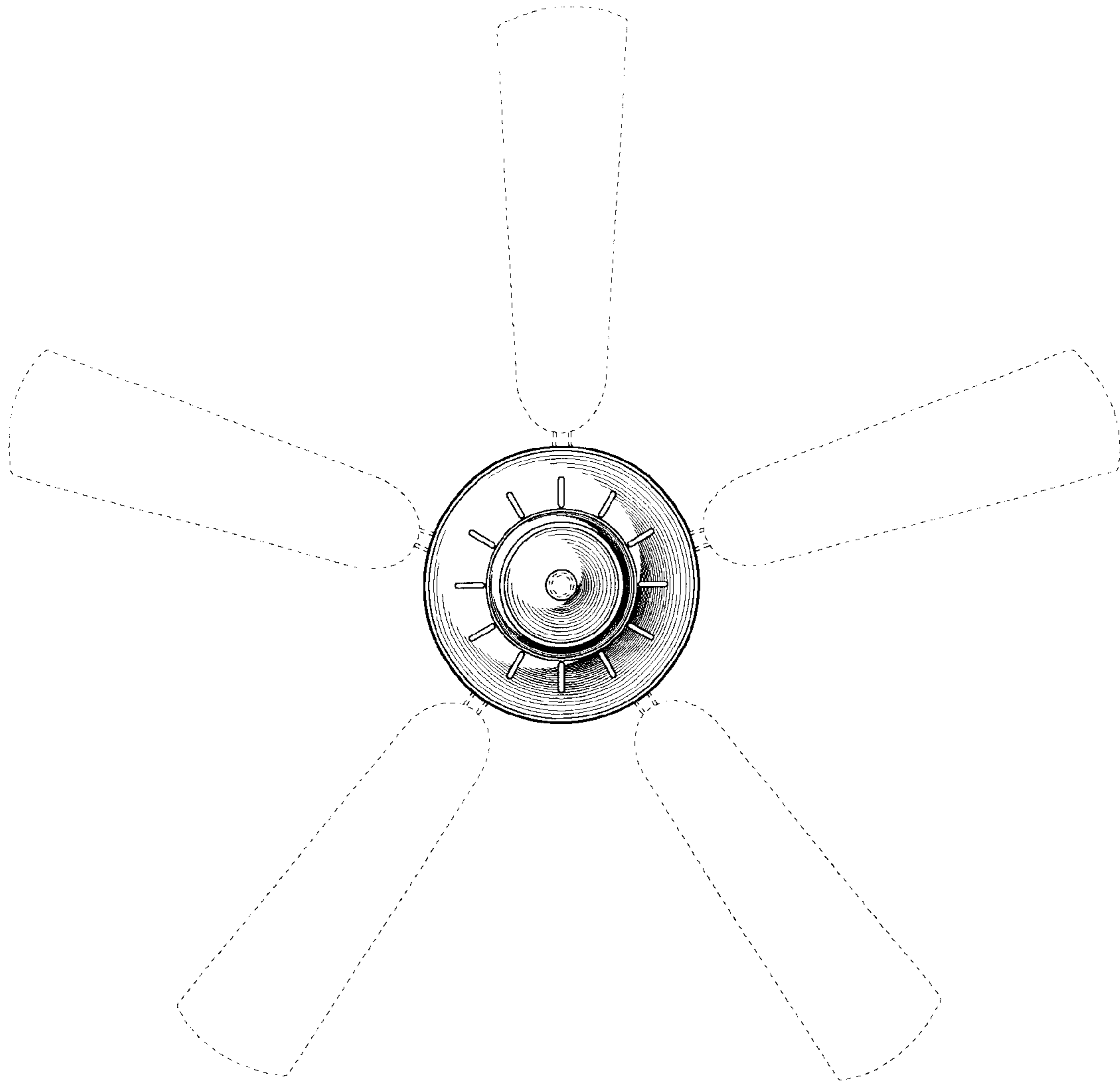
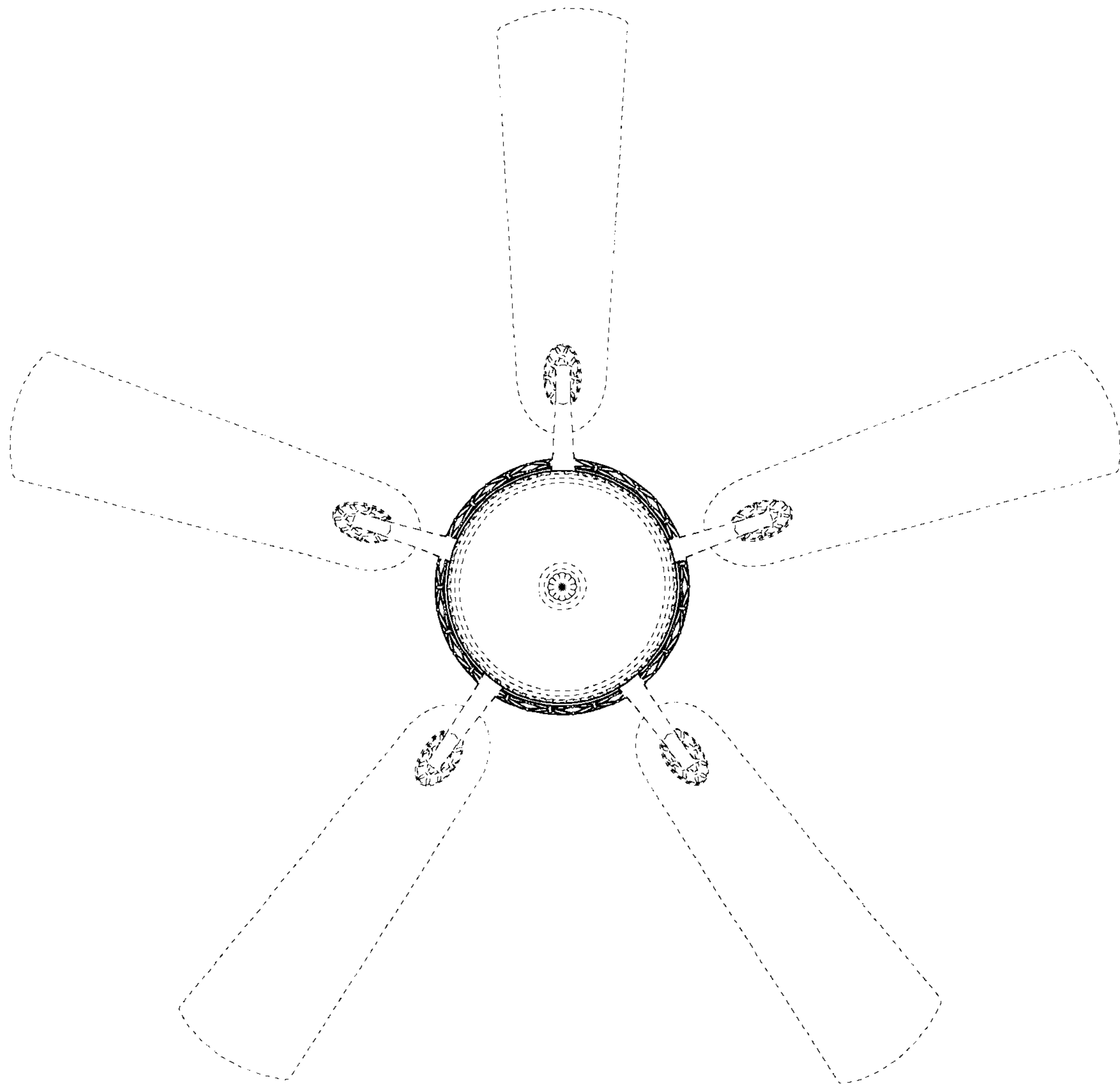


Fig. 1





*Fig.2*



*Fig.3*

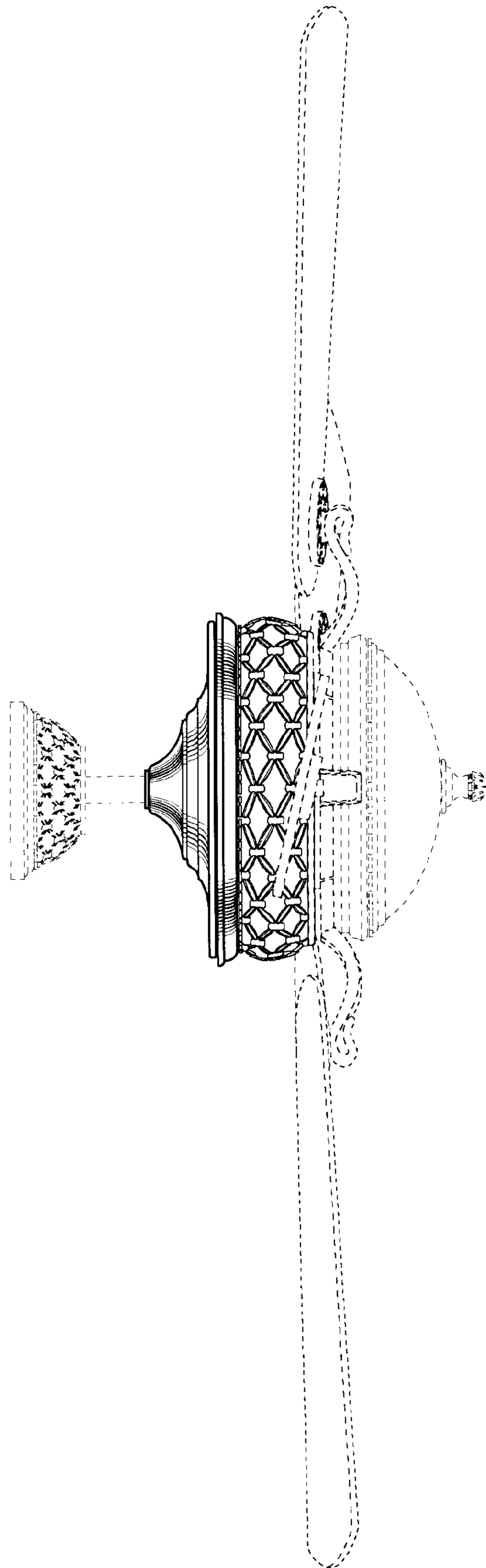


Fig. 4

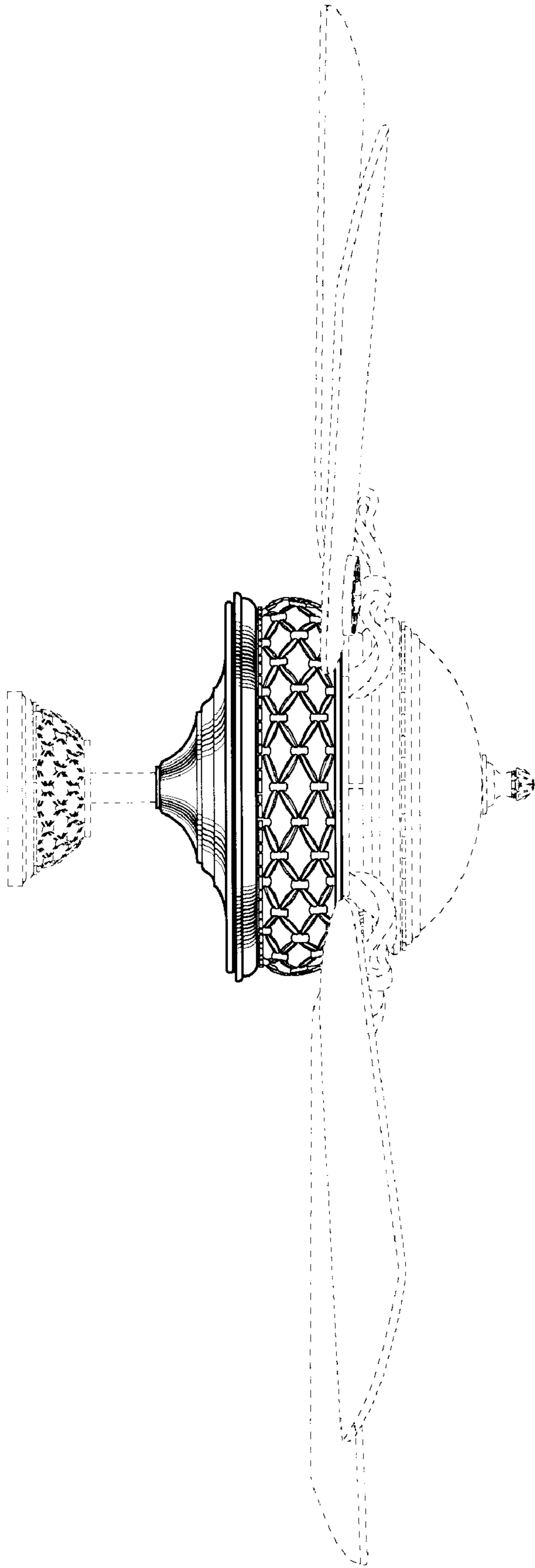


Fig. 5