



US00D528194S

(12) **United States Design Patent**
Hou

(10) **Patent No.:** **US D528,194 S**

(45) **Date of Patent:** **** Sep. 12, 2006**

(54) **TOILET**

D310,407 S * 9/1990 Stairs, Jr. D23/301
D379,217 S * 5/1997 Kergoet D23/295
D409,734 S * 5/1999 Sim D23/301

(75) **Inventor:** **Camel Hou**, Weifang (CN)

* cited by examiner

(73) **Assignee:** **Globe Union Industrial Corp.**,
Taichung (TW)

Primary Examiner—Robert A. Delehanty

(**) **Term:** **14 Years**

(74) *Attorney, Agent, or Firm*—Leong C. Lei

(21) **Appl. No.:** **29/229,949**

(57) **CLAIM**

(22) **Filed:** **May 16, 2005**

The ornamental design for a toilet, as shown and described.

(51) **LOC (8) Cl.** **23-01**

DESCRIPTION

(52) **U.S. Cl.** **D23/301**

FIG. 1 is a perspective view of a toilet showing my new design;

(58) **Field of Classification Search** D23/270,

FIG. 2 is a front elevational view thereof;

D23/273–274, 295, 299, 301, 303, 309, 313;
4/663–664, 300–301, 329, 420, 443, 661,
4/DIG. 15

FIG. 3 is a rear elevational view thereof;

See application file for complete search history.

FIG. 4 is a left side elevational view thereof;

FIG. 5 is a right side elevational view thereof;

(56) **References Cited**

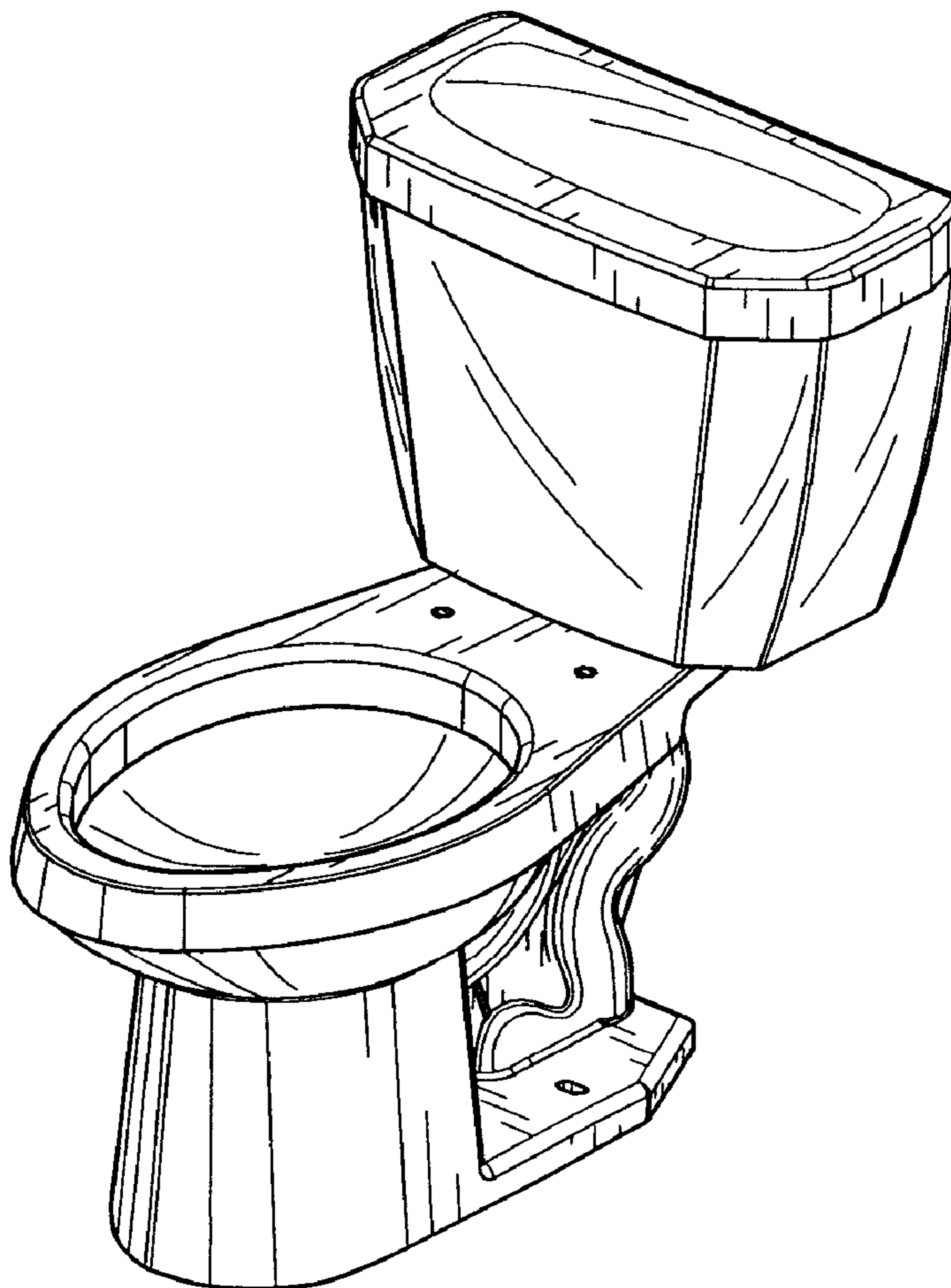
FIG. 6 is a top plan view thereof; and,

FIG. 7 is a bottom plan view thereof.

U.S. PATENT DOCUMENTS

D237,886 S * 12/1975 Korol D23/313

1 Claim, 4 Drawing Sheets



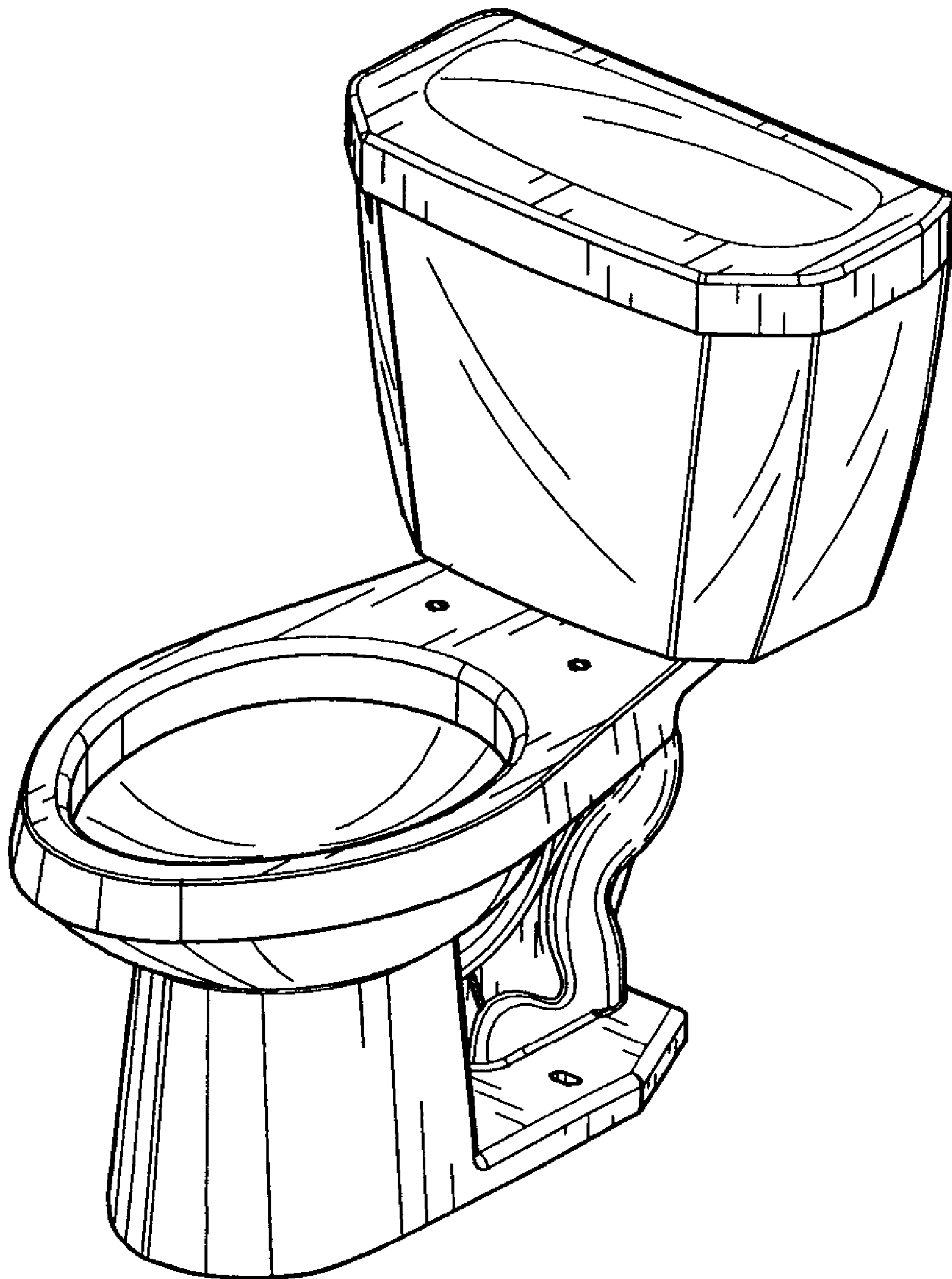


FIG. 1

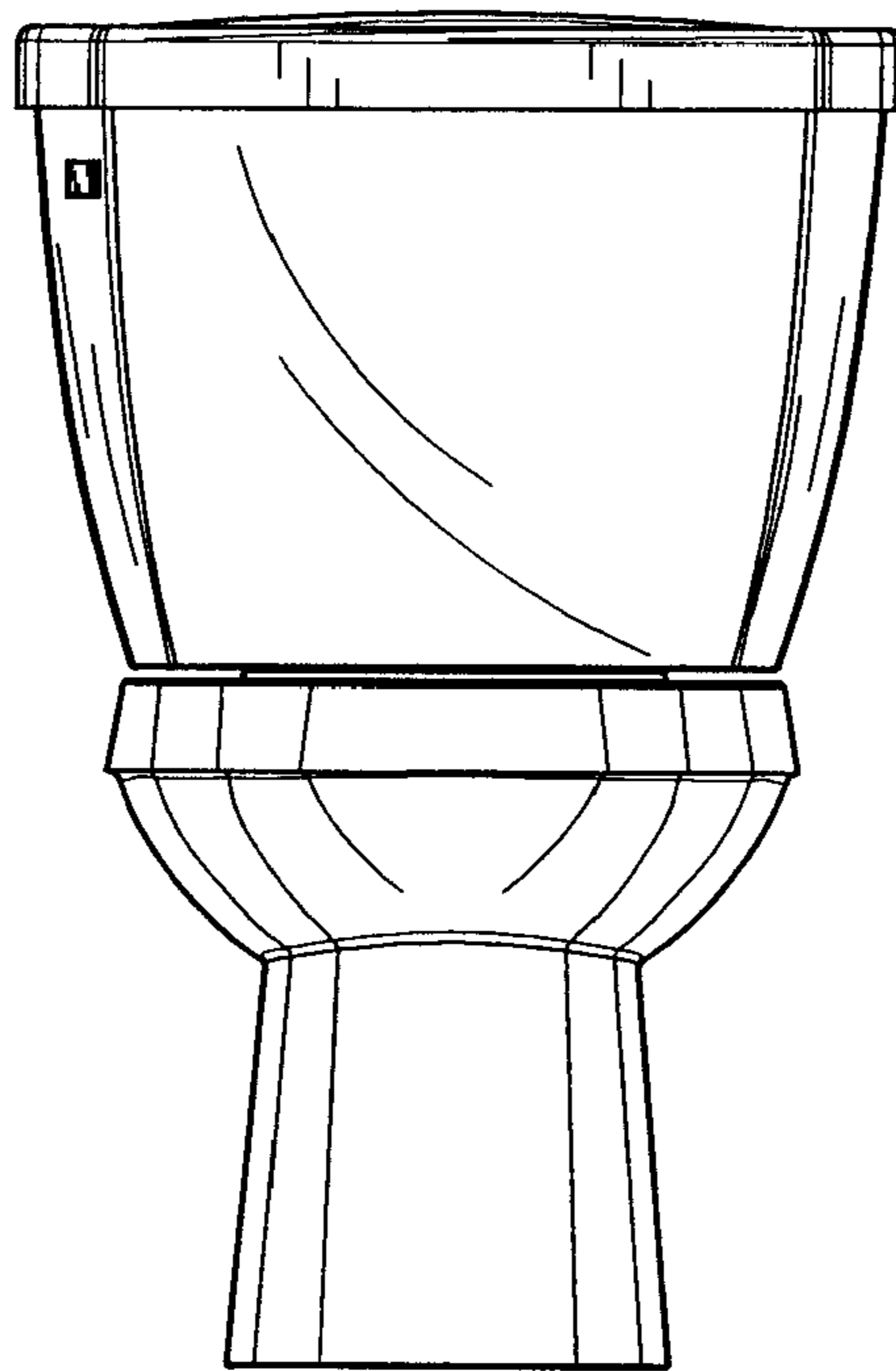


FIG. 2

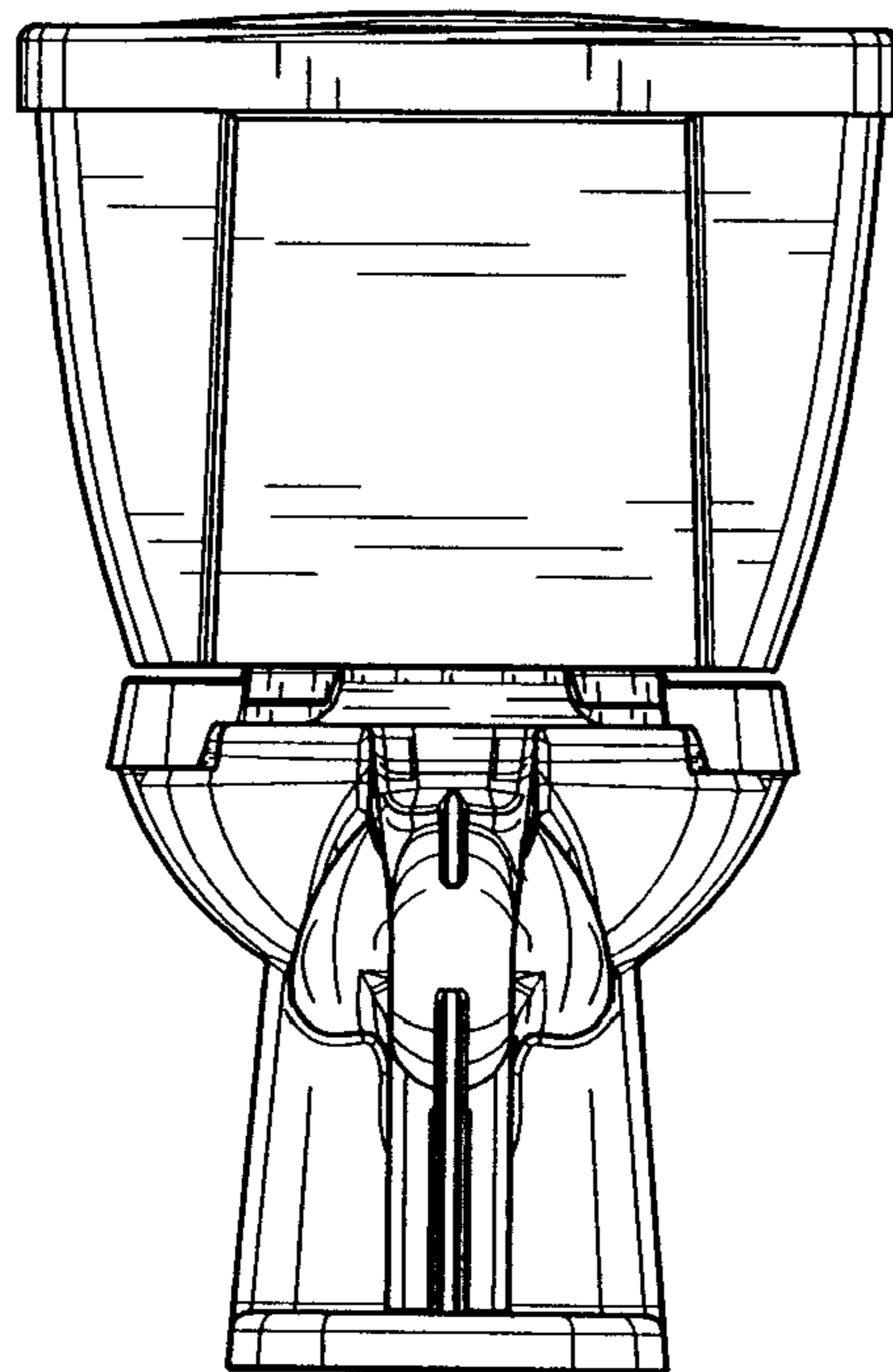


FIG. 3

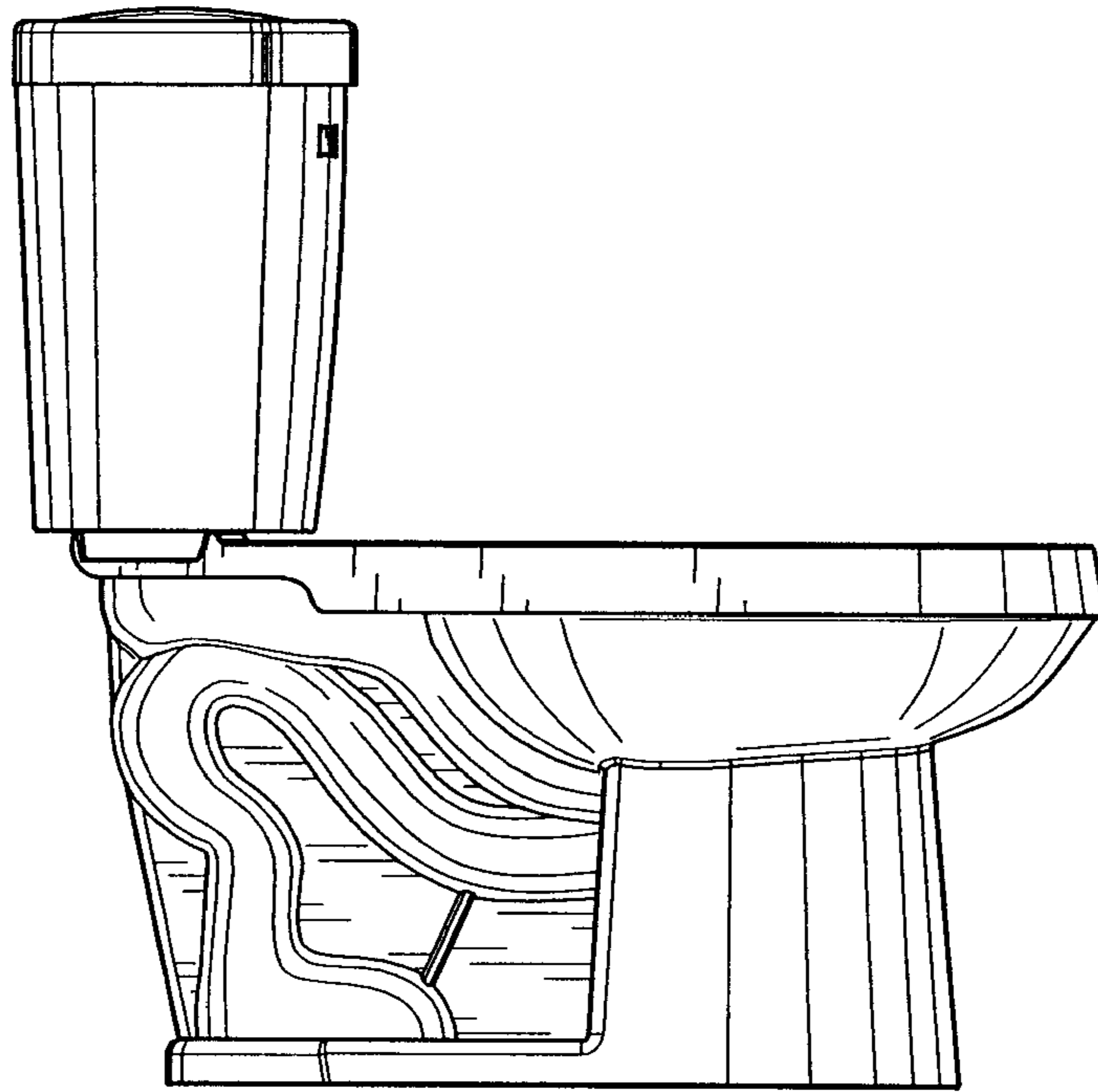


FIG. 4

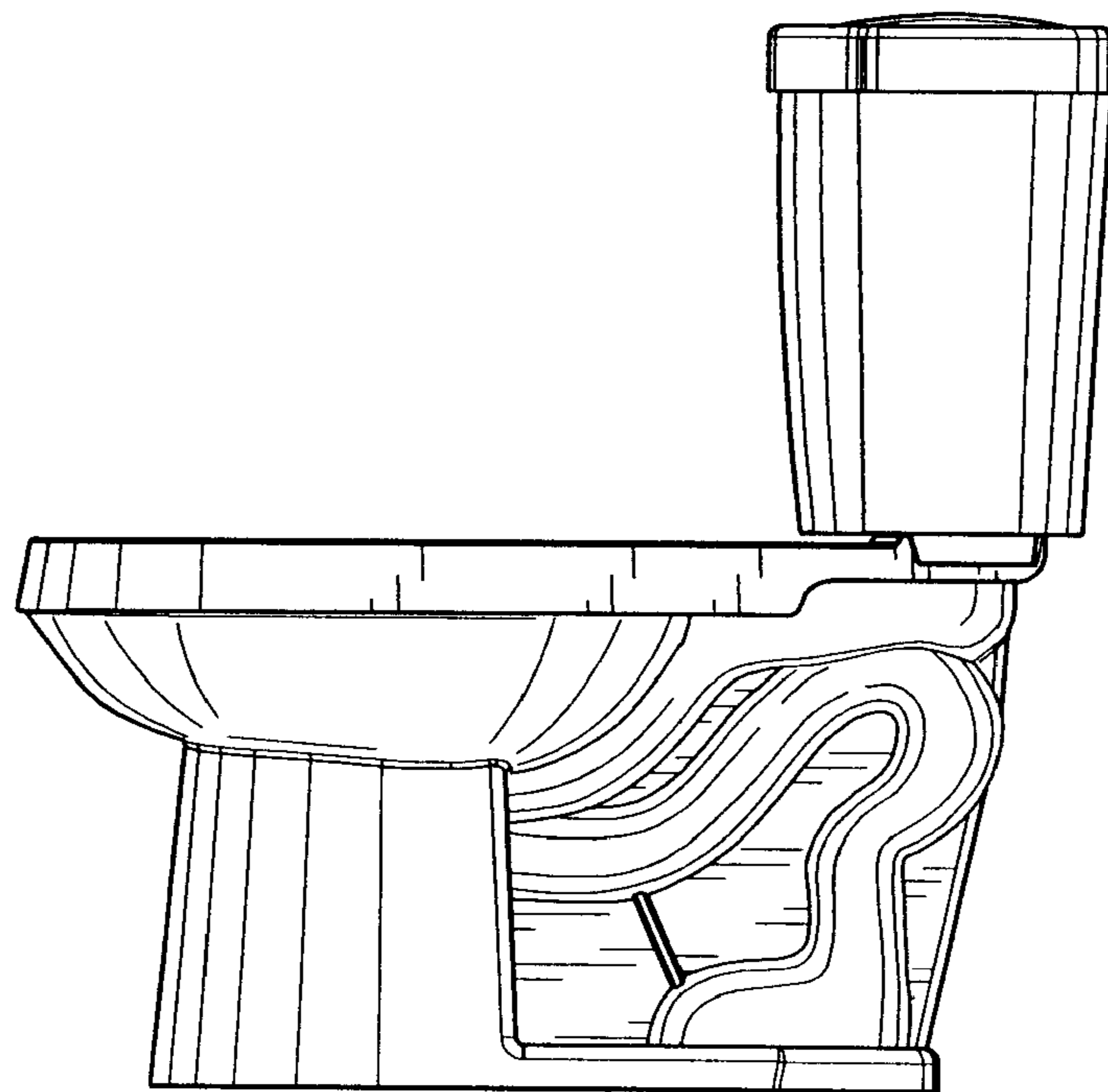


FIG. 5

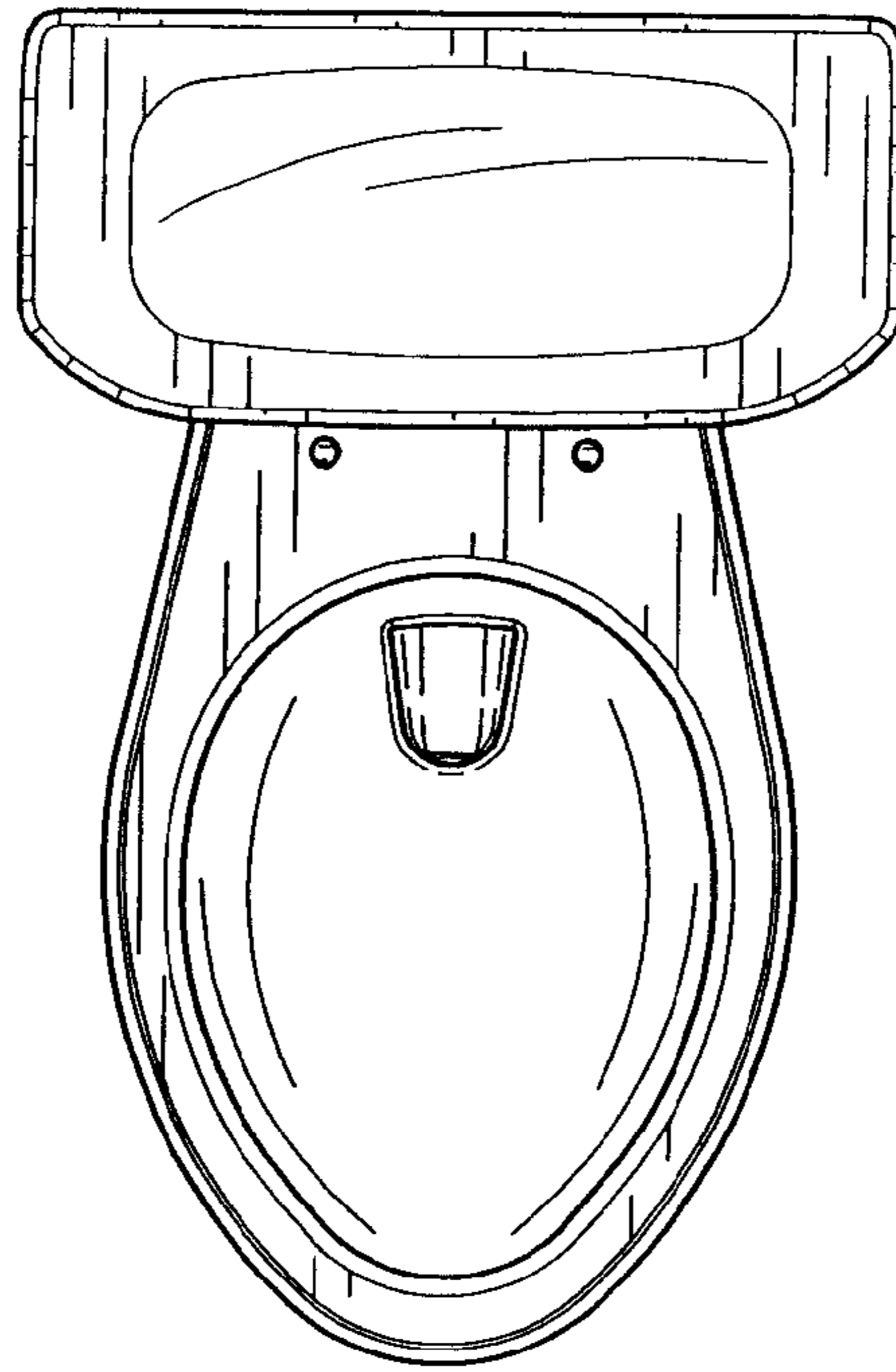


FIG. 6

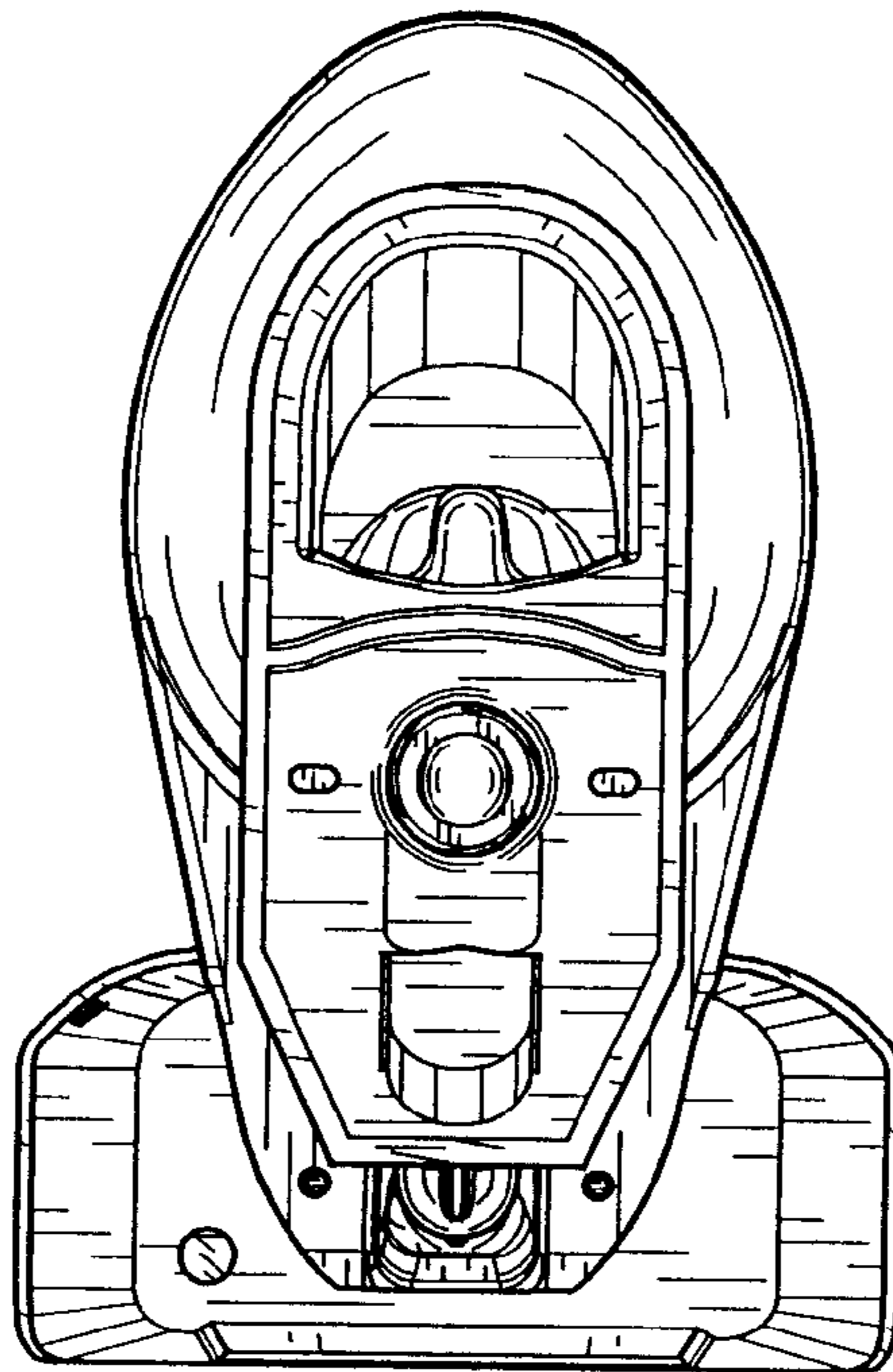


FIG. 7