



US00D528192S

(12) **United States Design Patent**
Nicholson

(10) **Patent No.:** **US D528,192 S**

(45) **Date of Patent:** **** Sep. 12, 2006**

(54) **FOOD SERVICE VENTING PLUG**

D476,723 S * 7/2003 Houghton D23/260
D497,413 S * 10/2004 Nelson et al. D23/259

(75) Inventor: **Jeff Nicholson**, Long Beach, CA (US)

* cited by examiner

(73) Assignee: **Cambro Manufacturing Company**,
Huntington Beach, CA (US)

Primary Examiner—Robin Webster

(74) *Attorney, Agent, or Firm*—George F. Bethel

(**) Term: **14 Years**

(57) **CLAIM**

(21) Appl. No.: **29/224,818**

I claim the ornamental design for a food service venting plug, as shown and described.

(22) Filed: **Mar. 7, 2005**

DESCRIPTION

(51) **LOC (8) Cl.** **23-01**

FIG. 1 is a perspective view of the food service venting plug. FIG. 2 is a top plan view of the food service venting plug. FIG. 3 is a front elevation view of the food service venting plug.

(52) **U.S. Cl.** **D23/260**

FIG. 4 is a bottom plan view of the food service venting plug; and,

(58) **Field of Classification Search** D23/260,
D23/259; 138/89, 89.3, 92, 96 R, 96 T
See application file for complete search history.

FIG. 5 is a side elevation view of the food service venting plug with a dotted line showing the surrounding environment.

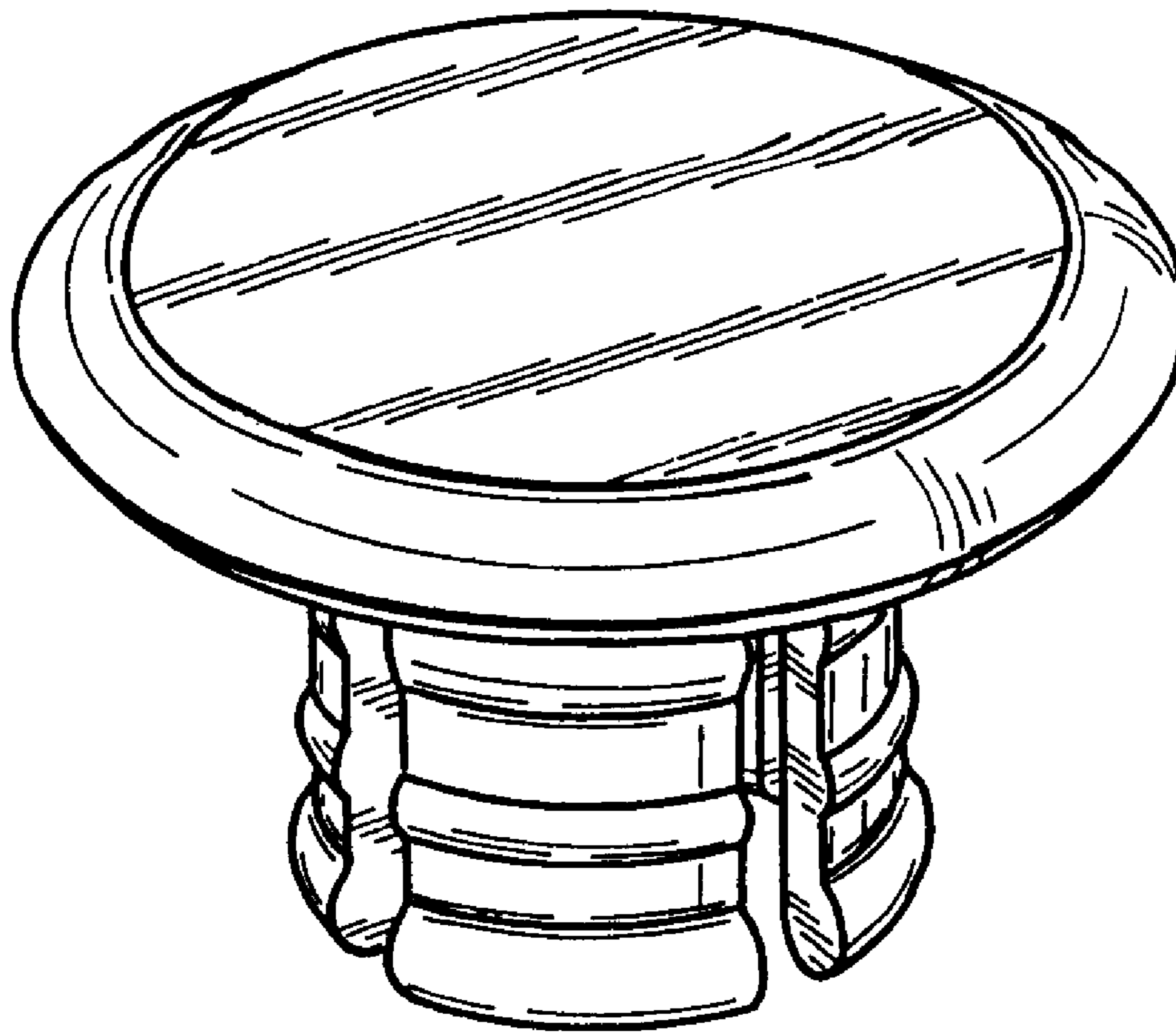
(56) **References Cited**

The broken line showing is for illustrative purposes only and forms no part of the claimed design.

U.S. PATENT DOCUMENTS

D421,792 S * 3/2000 Bevacco D23/260
6,419,281 B1 * 7/2002 Salomon-Bahls et al. ... 285/307

1 Claim, 2 Drawing Sheets



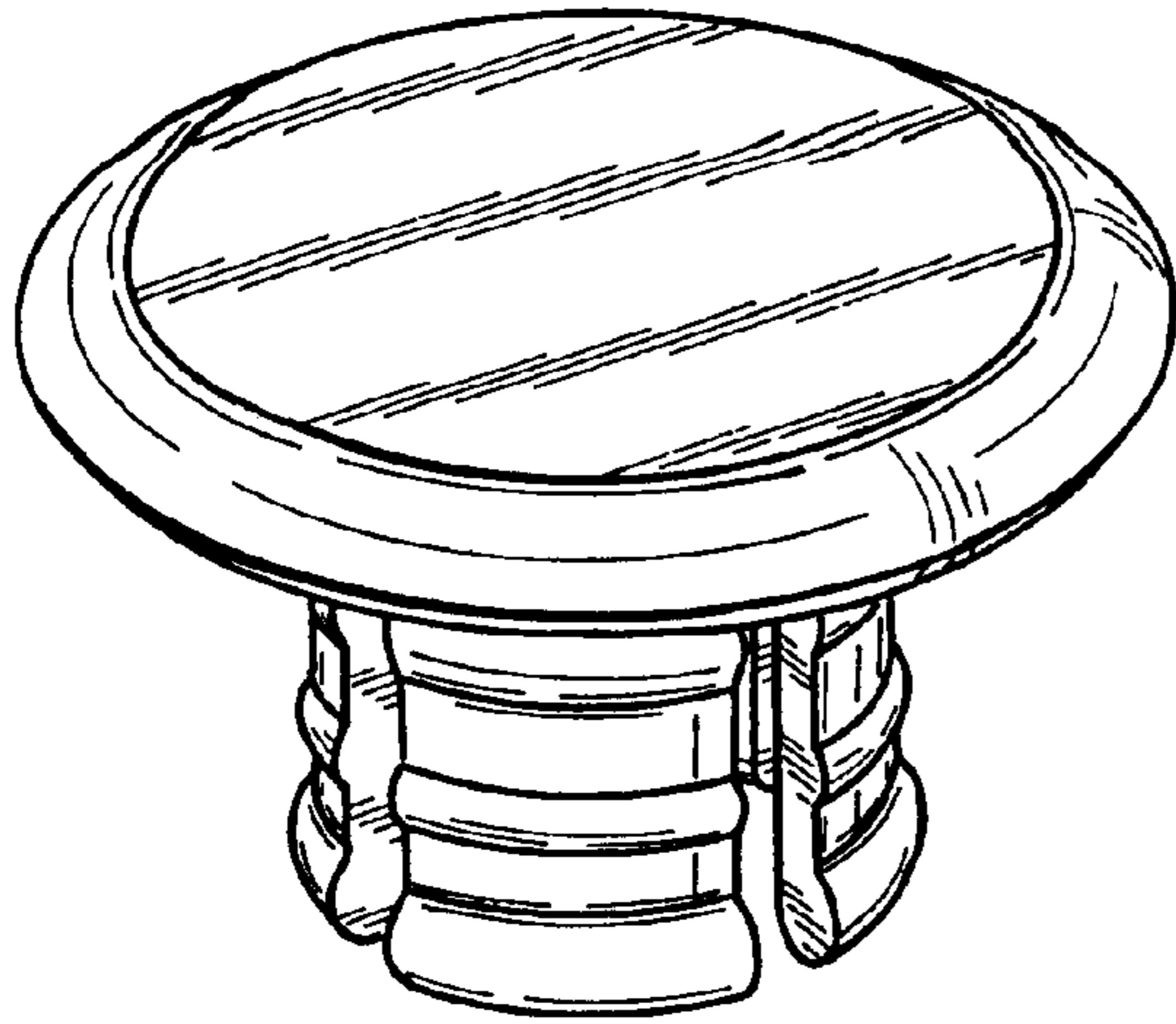


FIG. 1

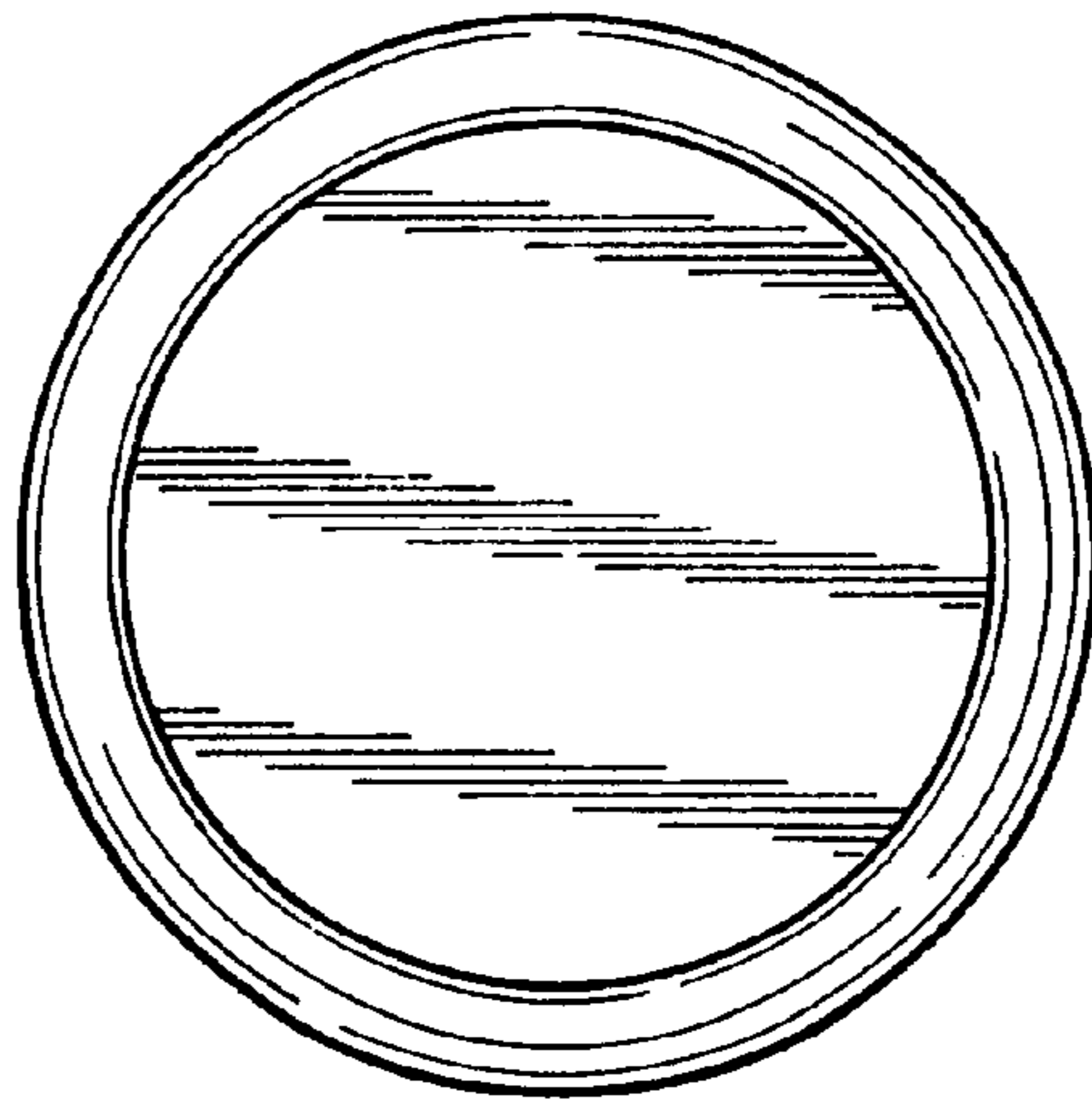


FIG. 2

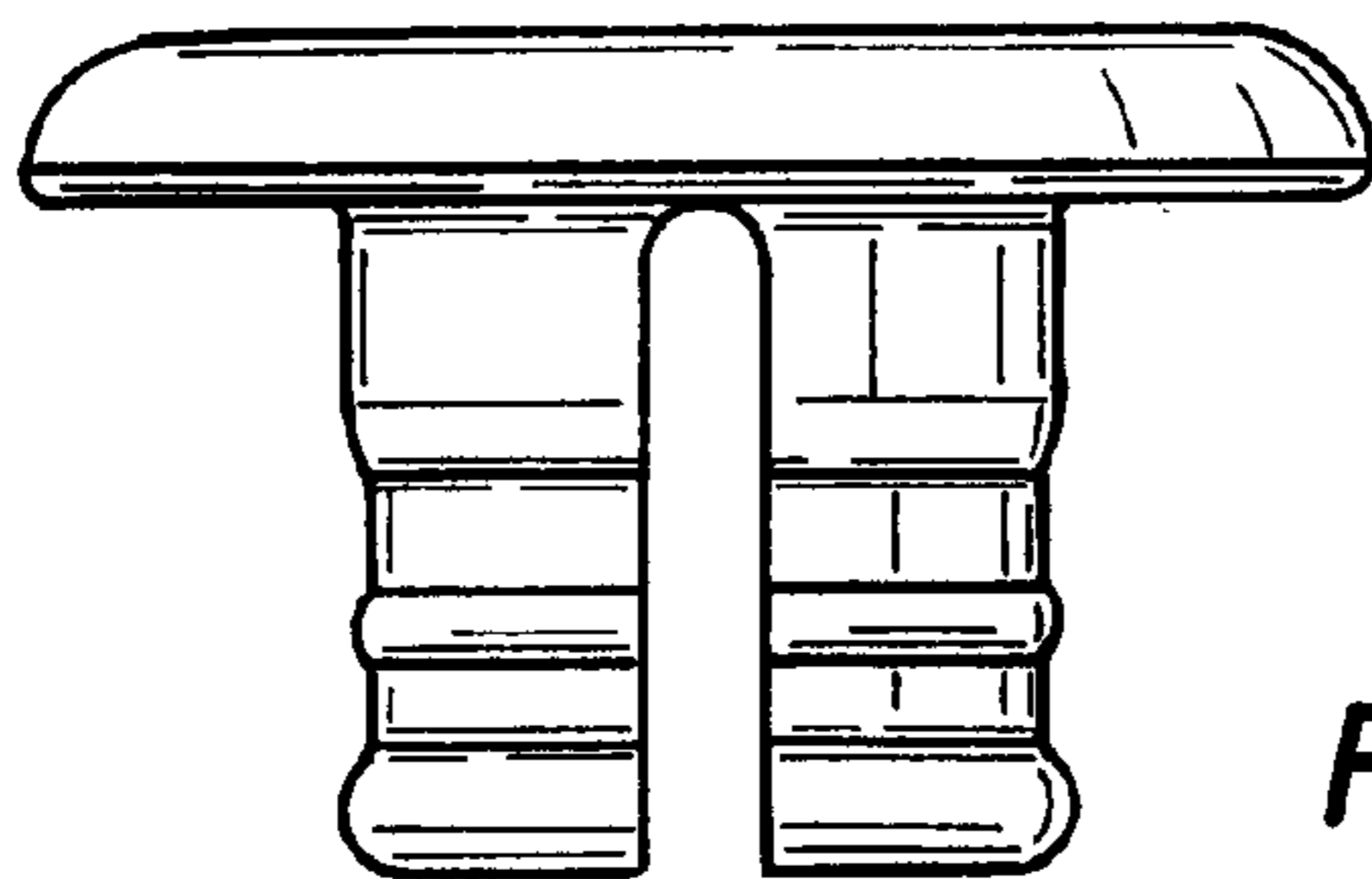


FIG. 3

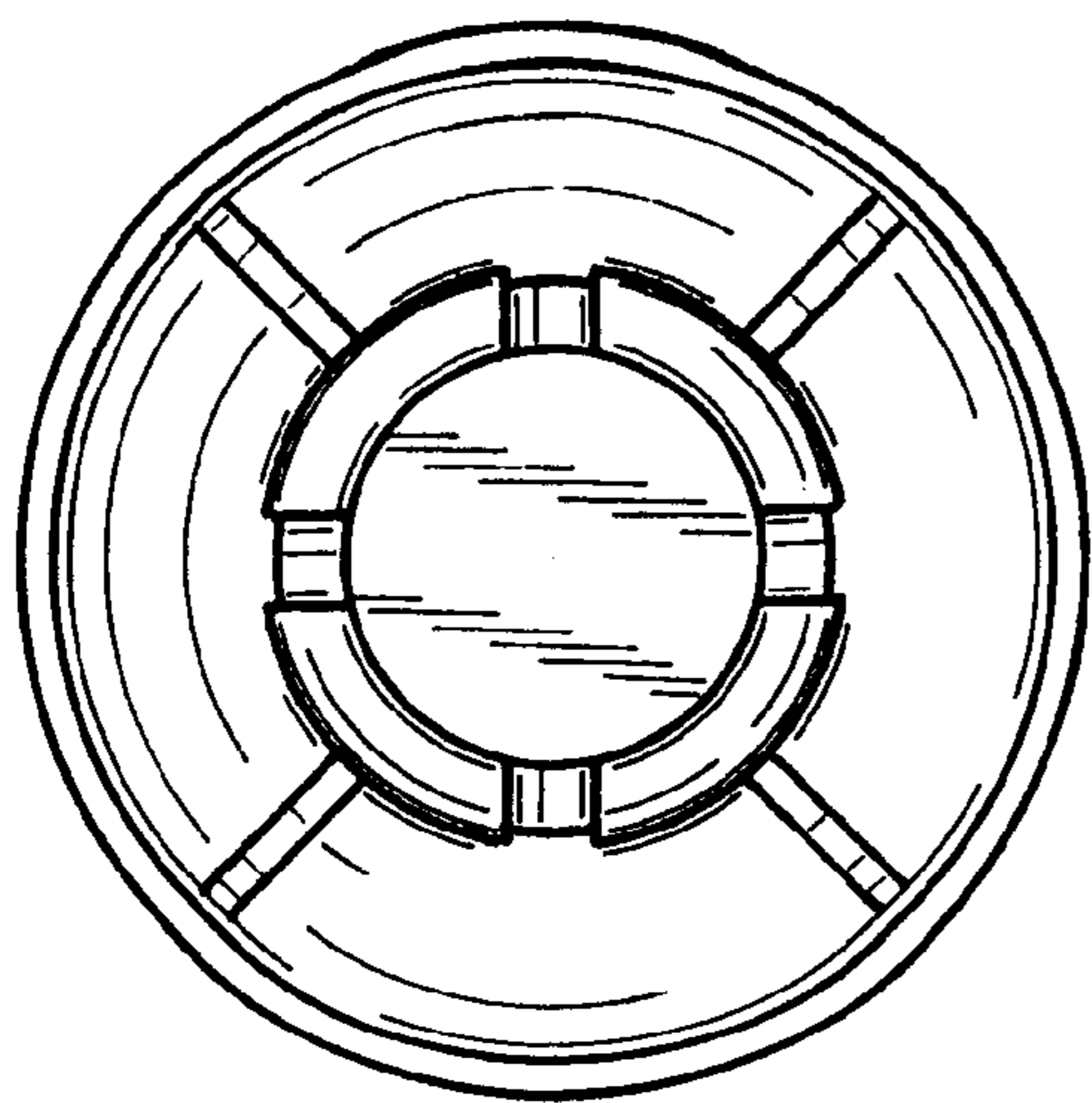


FIG. 4

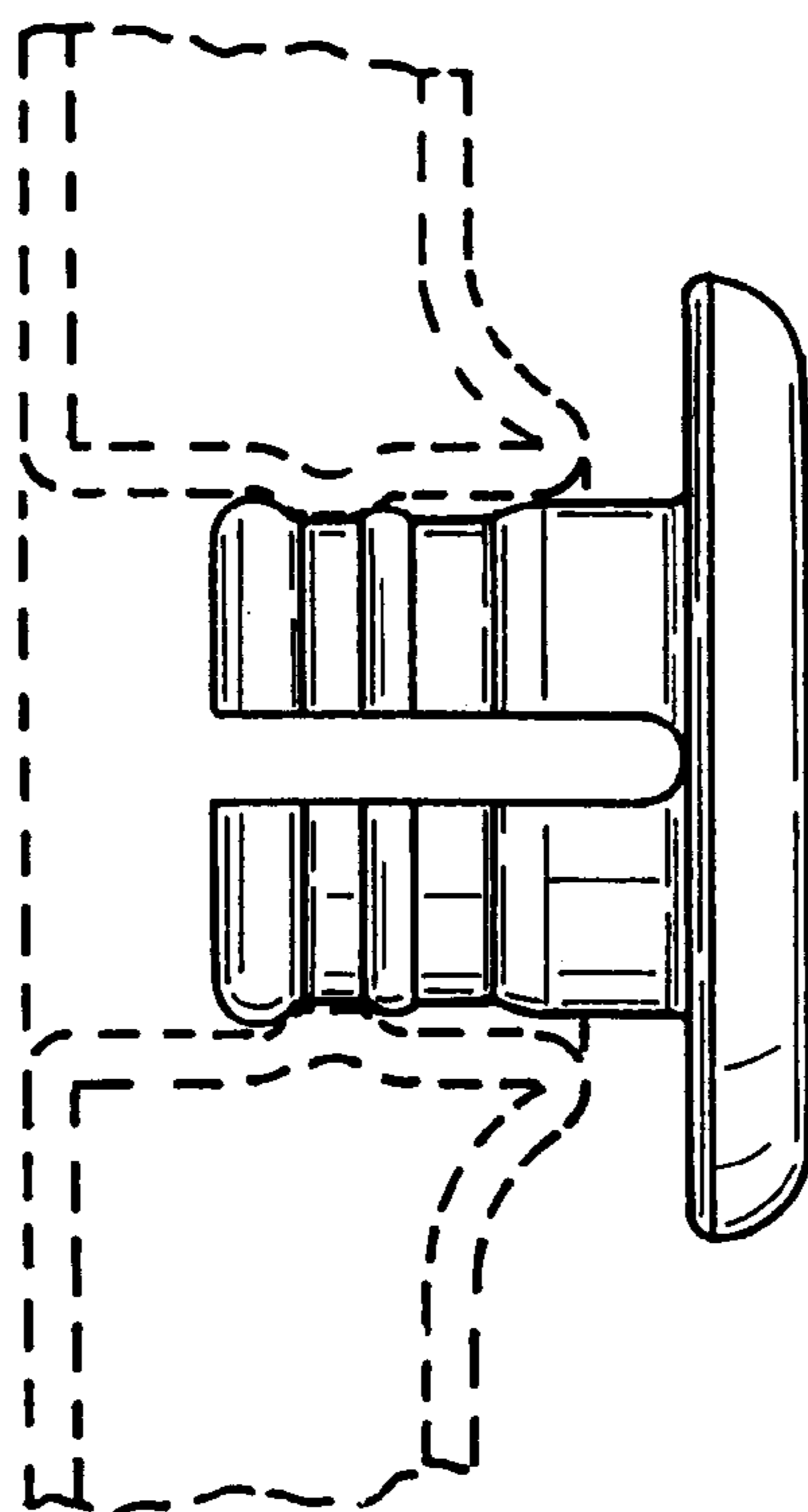


FIG. 5