



US00D528191S

(12) **United States Design Patent**
Chen

(10) **Patent No.:** **US D528,191 S**

(45) **Date of Patent:** **** Sep. 12, 2006**

(54) **KITCHEN FAUCET SET**

D515,181 S * 2/2006 Lun et al. D23/241

(76) Inventor: **Lien-Fu Chen**, No. 11, Lane 66, Fu Dong Street, Fu Shan Li, Chung Hua City (TW)

* cited by examiner

Primary Examiner—Louis S. Zarfes

Assistant Examiner—Gregory Andoll

(74) *Attorney, Agent, or Firm*—Charles E. Baxley

(**) Term: **14 Years**

(57) **CLAIM**

(21) Appl. No.: **29/238,126**

The ornamental design for a kitchen faucet set, as shown and described.

(22) Filed: **Sep. 12, 2005**

DESCRIPTION

(51) **LOC (8) Cl.** **23-01**

(52) **U.S. Cl.** **D23/241; D23/242**

(58) **Field of Classification Search** D23/238–257;
4/675–678; 137/801

FIG. 1 is a perspective view of a kitchen faucet set showing my new design;

FIG. 2 is a front elevational view thereof;

FIG. 3 is a rear elevational view thereof;

FIG. 4 is a left side elevational view thereof;

FIG. 5 is a right side elevational view thereof;

FIG. 6 is a top plan view thereof; and,

FIG. 7 is a bottom plan view thereof.

See application file for complete search history.

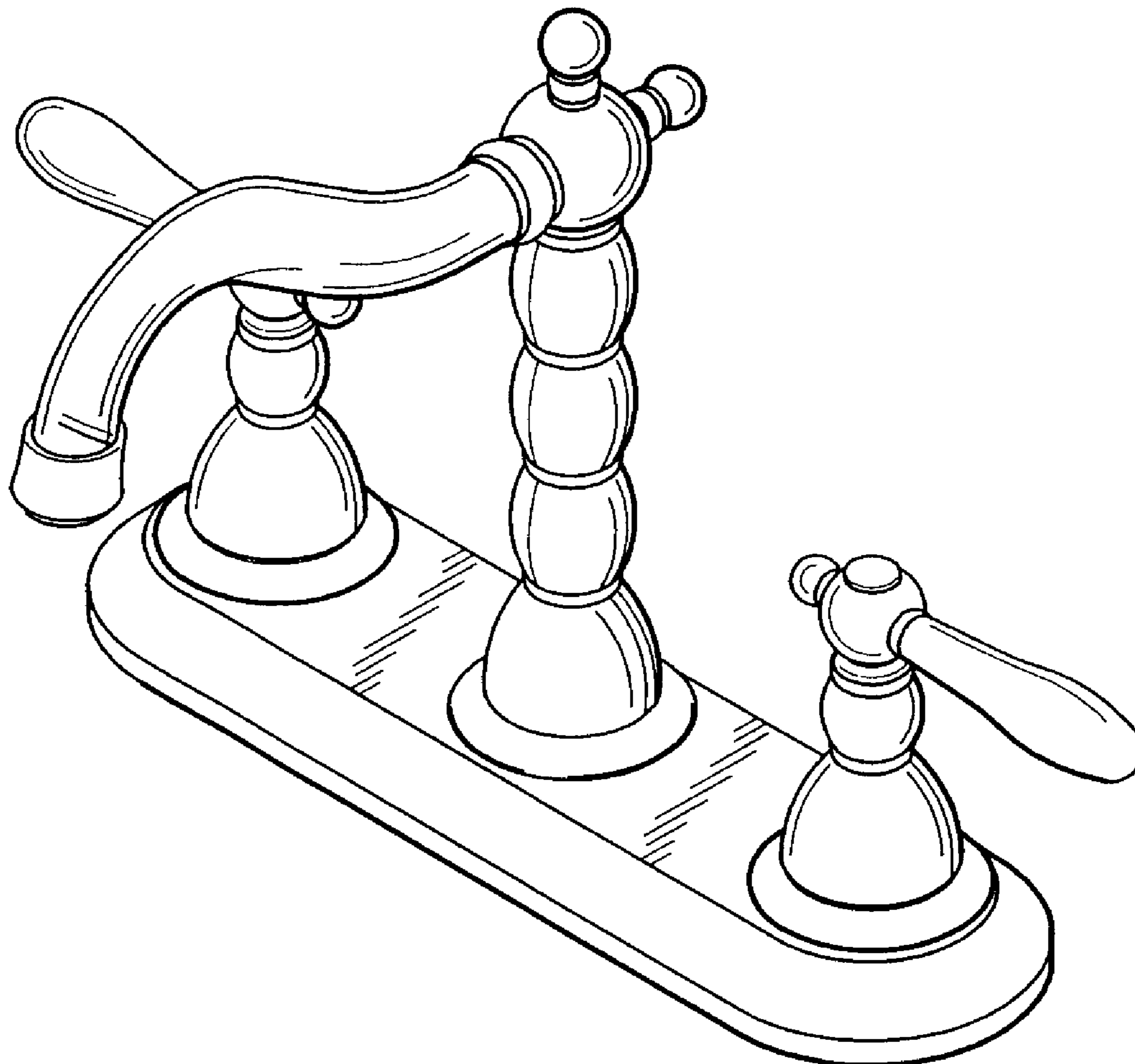
(56) **References Cited**

U.S. PATENT DOCUMENTS

D463,007 S * 9/2002 Lord D23/241

D514,201 S * 1/2006 Kulig D23/242

1 Claim, 6 Drawing Sheets



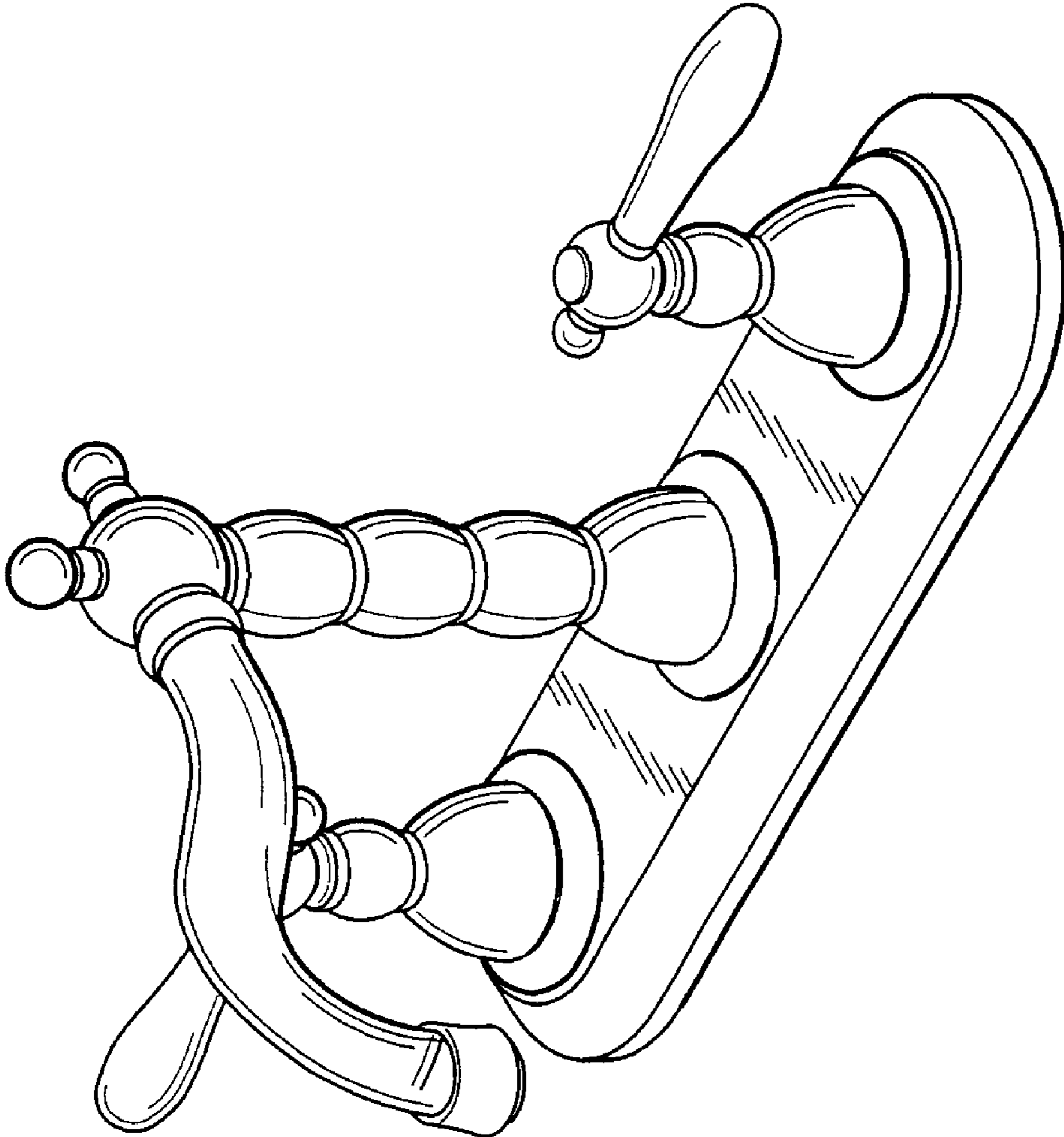


FIG. 1

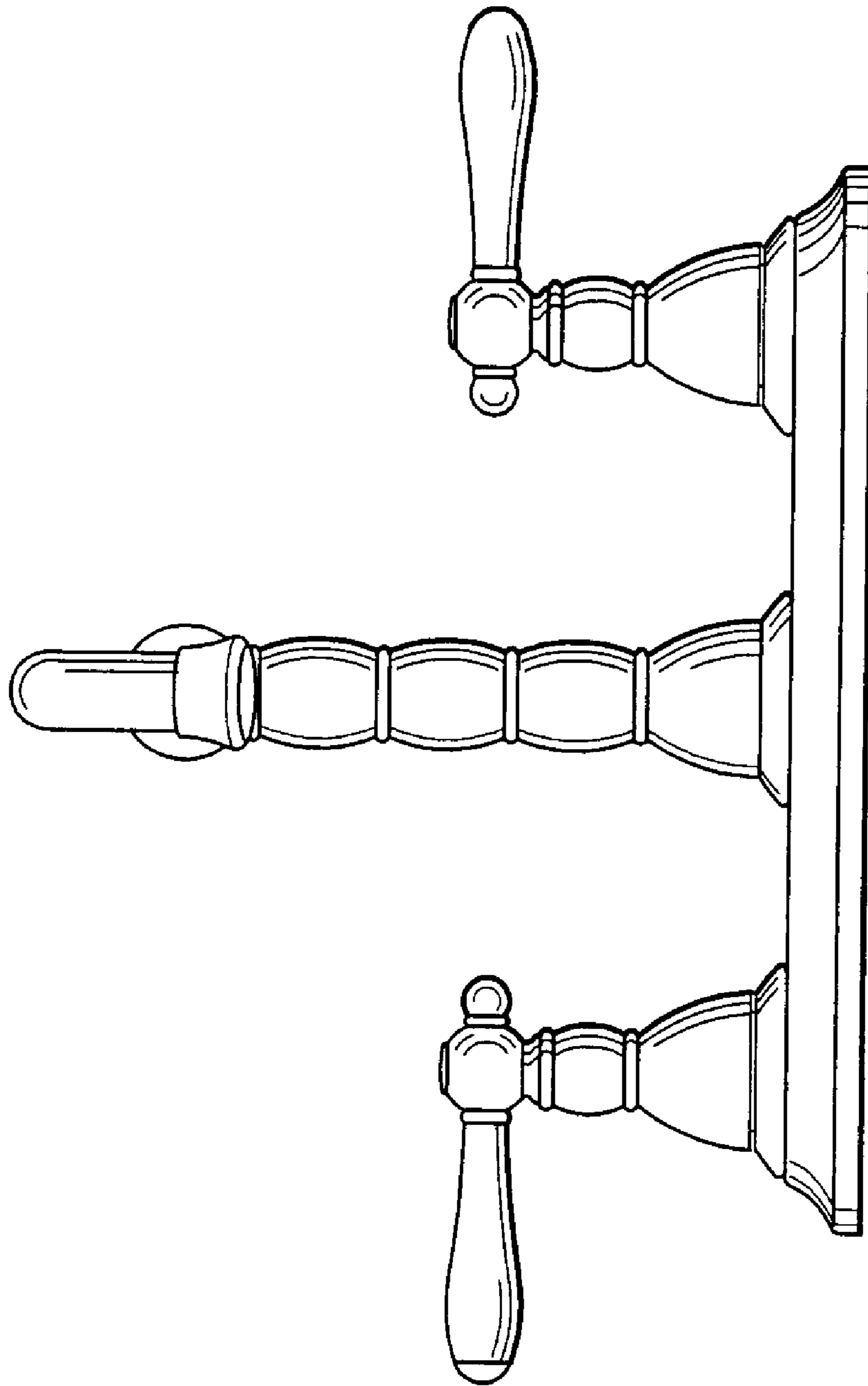


FIG. 2

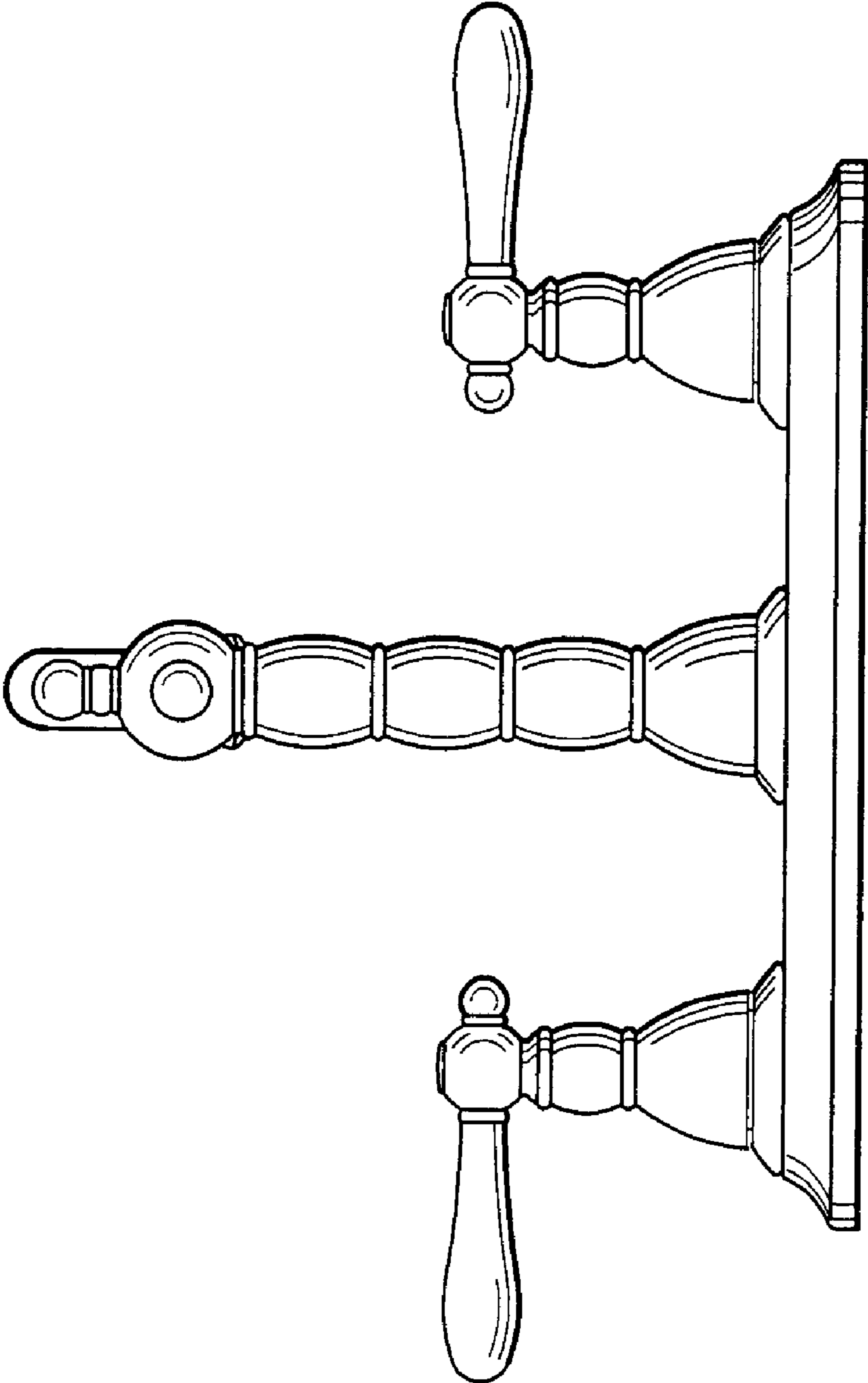


FIG. 3

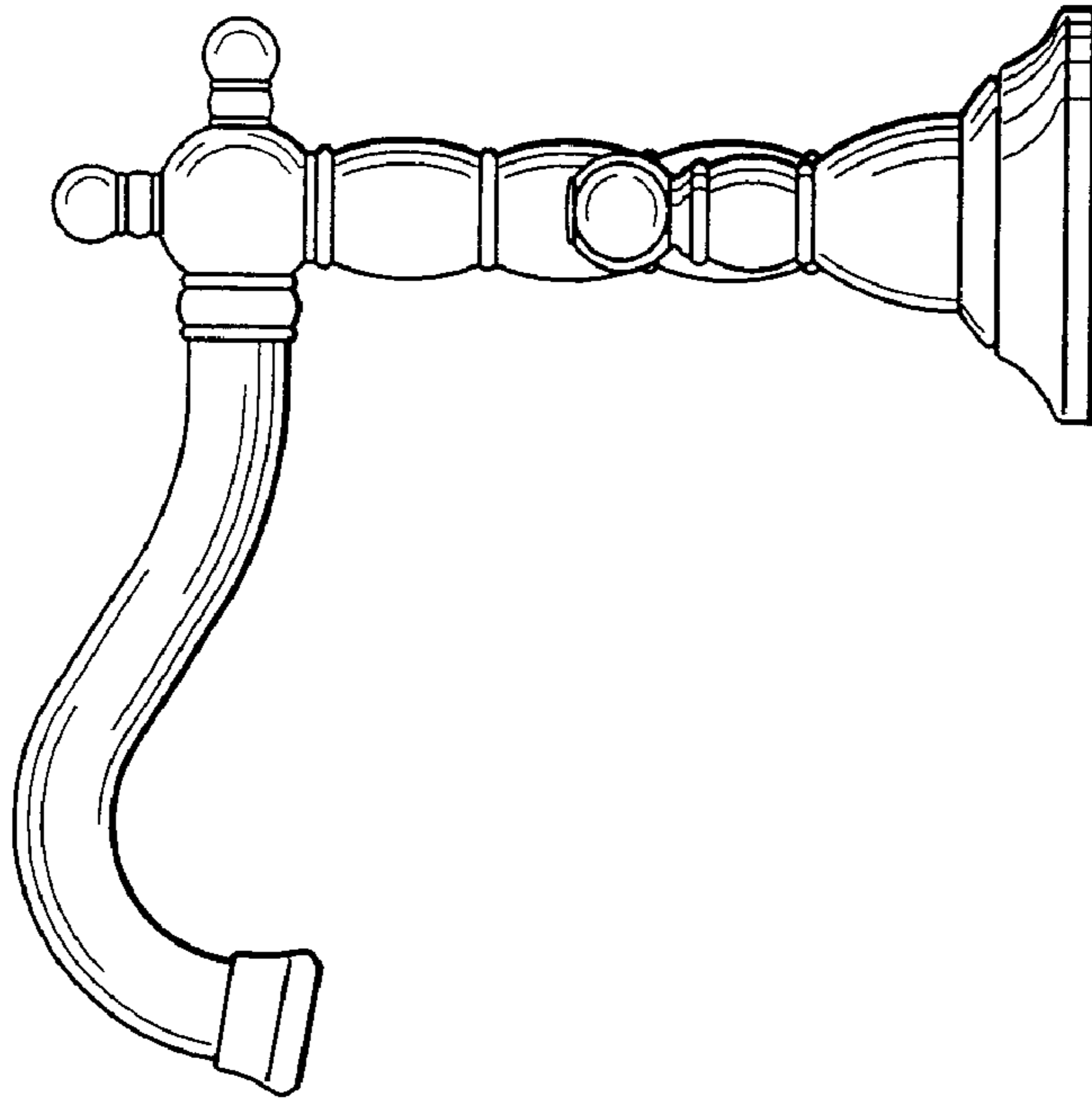


FIG. 4

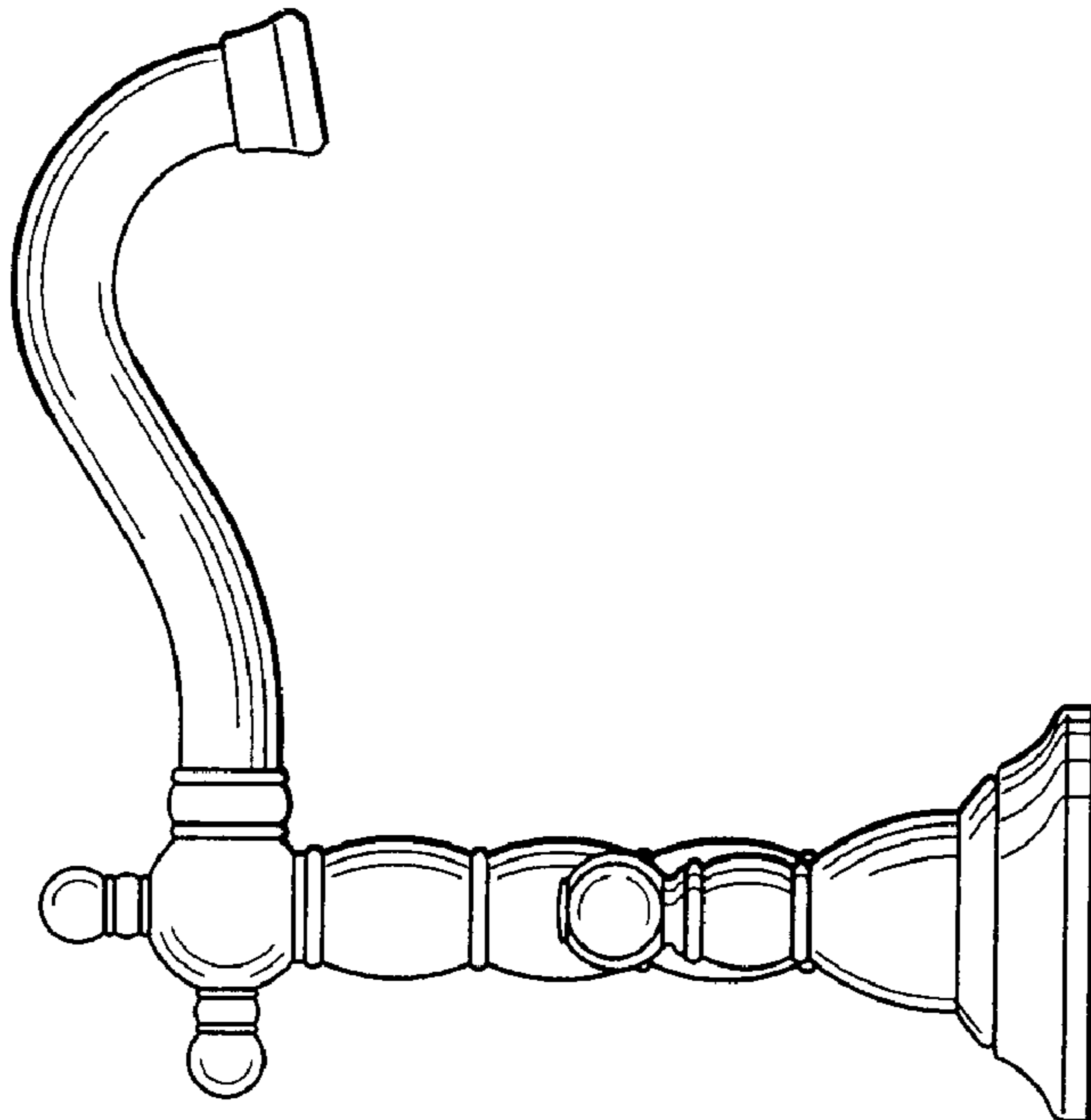


FIG. 5

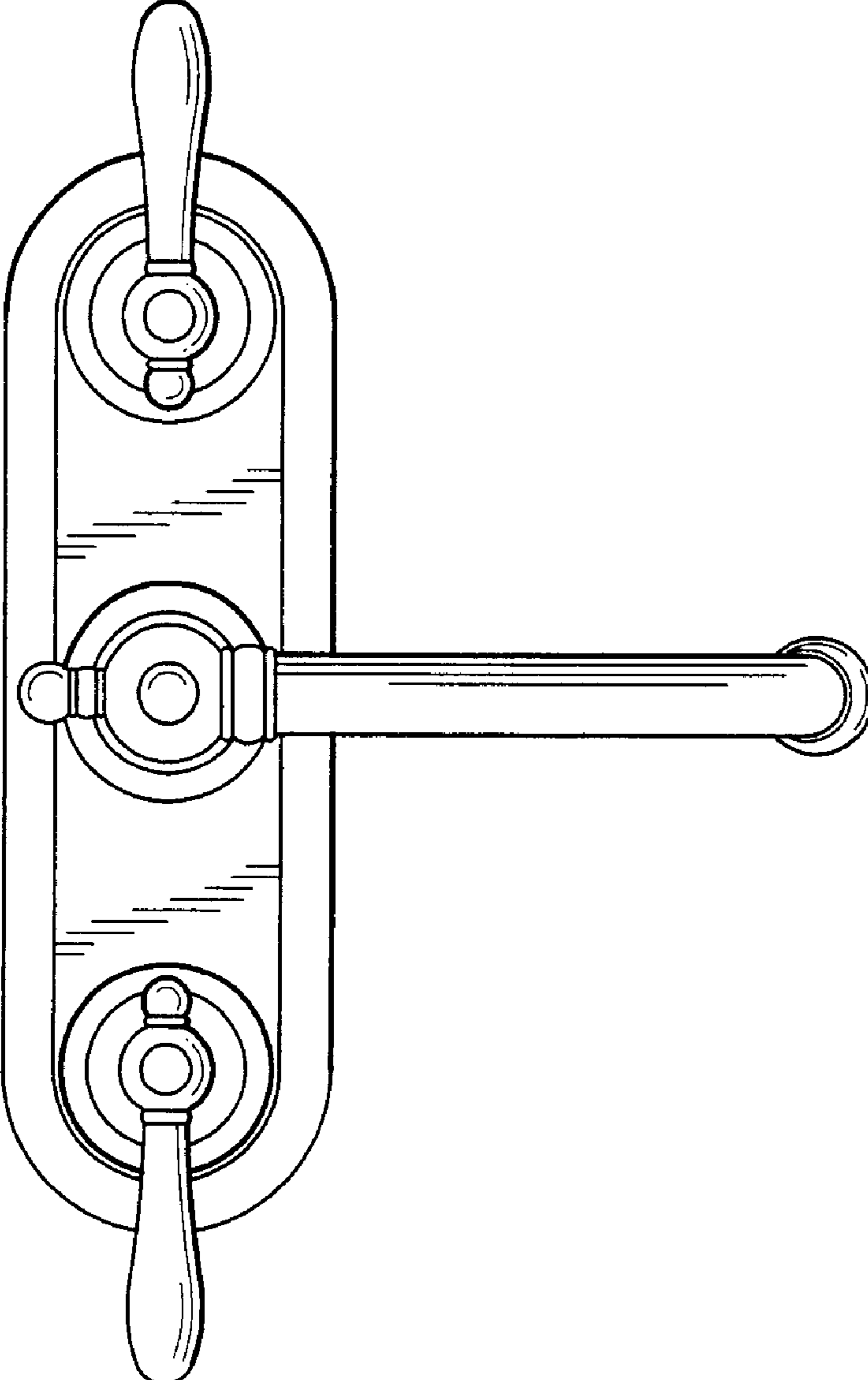


FIG. 6

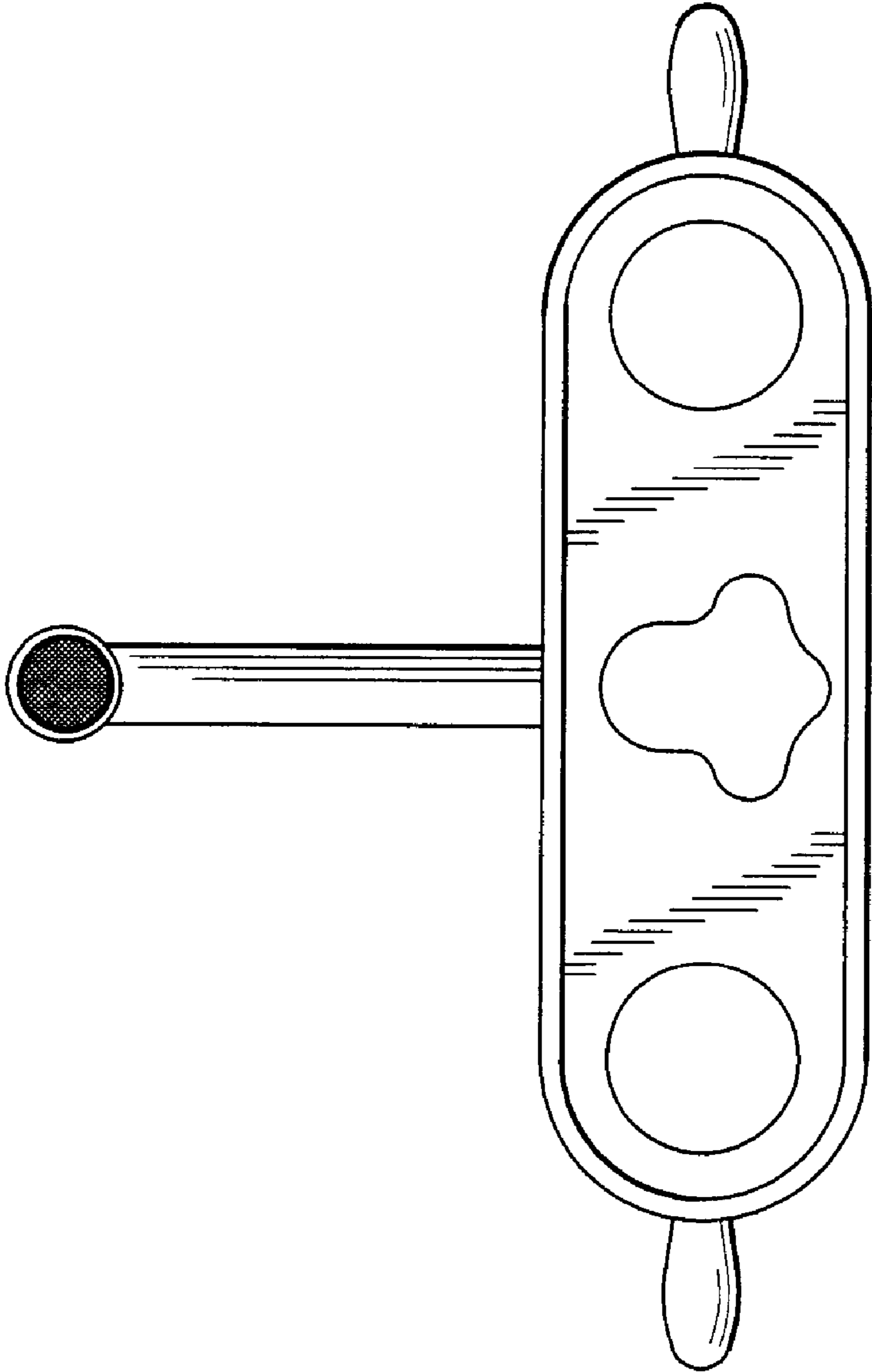


FIG. 7