

US00D528189S

(12) **United States Design Patent** (10) **Patent No.:** **US D528,189 S**
Kulig (45) **Date of Patent:** **** Sep. 12, 2006**

(54) **FAUCET**

(75) Inventor: **Zbigniew Kulig**, Wadsworth, IL (US)

(73) Assignee: **Graff Faucets**, Milwaukee, WI (US)

(**) Term: **14 Years**

(21) Appl. No.: **29/238,204**

(22) Filed: **Sep. 13, 2005**

(51) **LOC (8) Cl.** **23-01**

(52) **U.S. Cl.** **D23/238**

(58) **Field of Classification Search** D23/238-257;
4/675-678; 137/801

See application file for complete search history.

(56) **References Cited**

U.S. PATENT DOCUMENTS

D349,326 S	8/1994	Bollenbacher	
D351,218 S	10/1994	Sieger	
D373,179 S	8/1996	Sieger	
D428,965 S	* 8/2000	Slothower	D23/238
D457,938 S	* 5/2002	Lobermeier	D23/238
D460,150 S	7/2002	Rexach	
D463,848 S	10/2002	Haug et al.	
D468,398 S	* 1/2003	Ziemann	D23/238
D469,157 S	* 1/2003	Lobermeier	D23/238
D472,961 S	4/2003	Ziemann	
D479,310 S	9/2003	Ziemann	
D479,579 S	* 9/2003	Haug et al.	D23/238
D513,526 S	* 1/2006	Marshall	D23/238
D516,171 S	* 2/2006	Meylan	D23/238
D517,652 S	* 3/2006	Egli et al.	D23/238

OTHER PUBLICATIONS

BLANCO America, *Kitchen Faucets*, http://www.blancoamerica.com/kitchen_faucets.html (pp. 1-6) (May 12, 2004).

BLANCO America, *Decorative Bar Faucets*, http://www.blancoamerica.com/bar_faucets.html (pp. 1-2) (May 12, 2004).

Kulig, U.S. Appl. No. 29/200,362, filed Feb. 26, 2004, entitled *Faucet*.

Kulig, U.S. Appl. No. 29/200,363, filed Feb. 26, 2004, entitled *Faucet Handle*.

Kulig, U.S. Appl. No. 29/200,361, filed Feb. 26, 2004, entitled *Faucet*.

Kulig, U.S. Appl. No. 29/206,908, filed Jun. 4, 2004, entitled *Faucet*.

Kulig, U.S. Appl. No. 29/220,248, filed Dec. 28, 2004, entitled *Faucet*.

* cited by examiner

Primary Examiner—Louis S. Zarfaz

Assistant Examiner—Gregory Andoll

(74) *Attorney, Agent, or Firm*—Boyle Fredrickson Newholm Stein & Gratz S.C.

(57) **CLAIM**

The ornamental design for a faucet, as shown and described.

DESCRIPTION

FIG. 1 is perspective view of a faucet incorporating my new design, viewed from in front of, above, and from the right side of the faucet;

FIG. 2 is a front elevation view thereof;

FIG. 3 is a rear elevation view thereof;

FIG. 4 is a top plan view thereof;

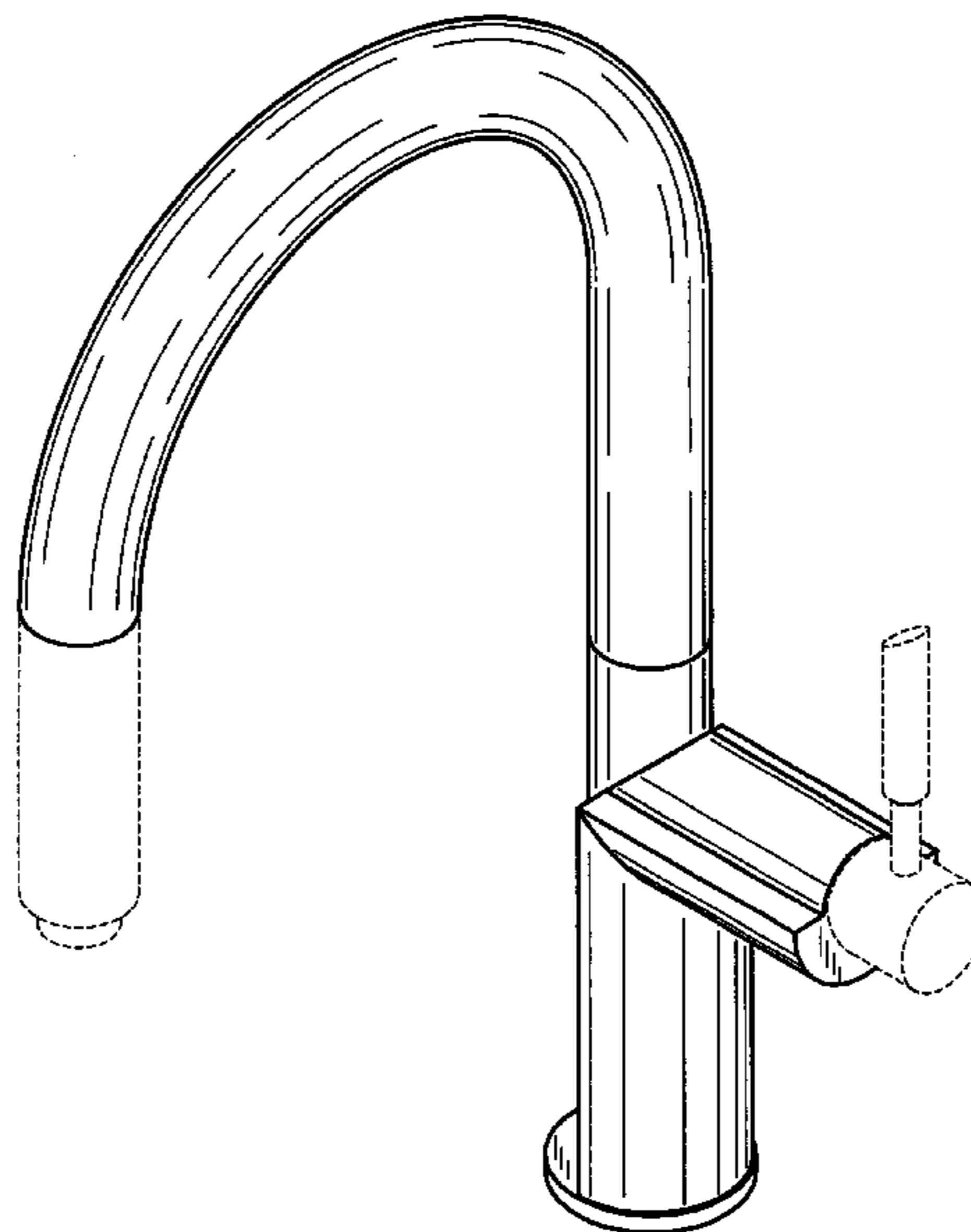
FIG. 5 is a bottom plan view thereof;

FIG. 6 is a left-side elevation view thereof; and,

FIG. 7 is a right-side elevation view thereof.

The broken lines in FIGS. 1-7 are for illustrative purposes only and form no part of the claimed design.

1 Claim, 7 Drawing Sheets



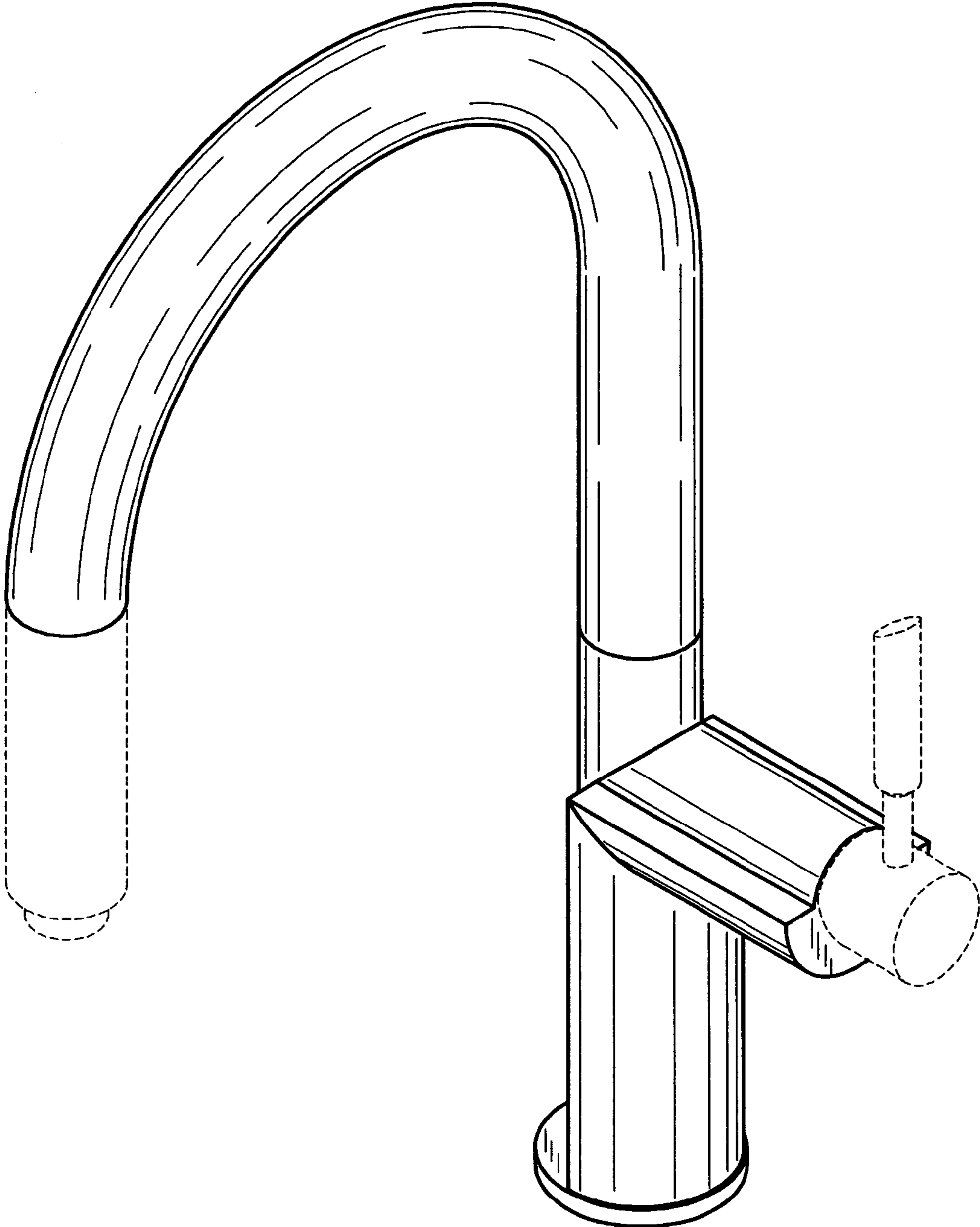


FIG. 1

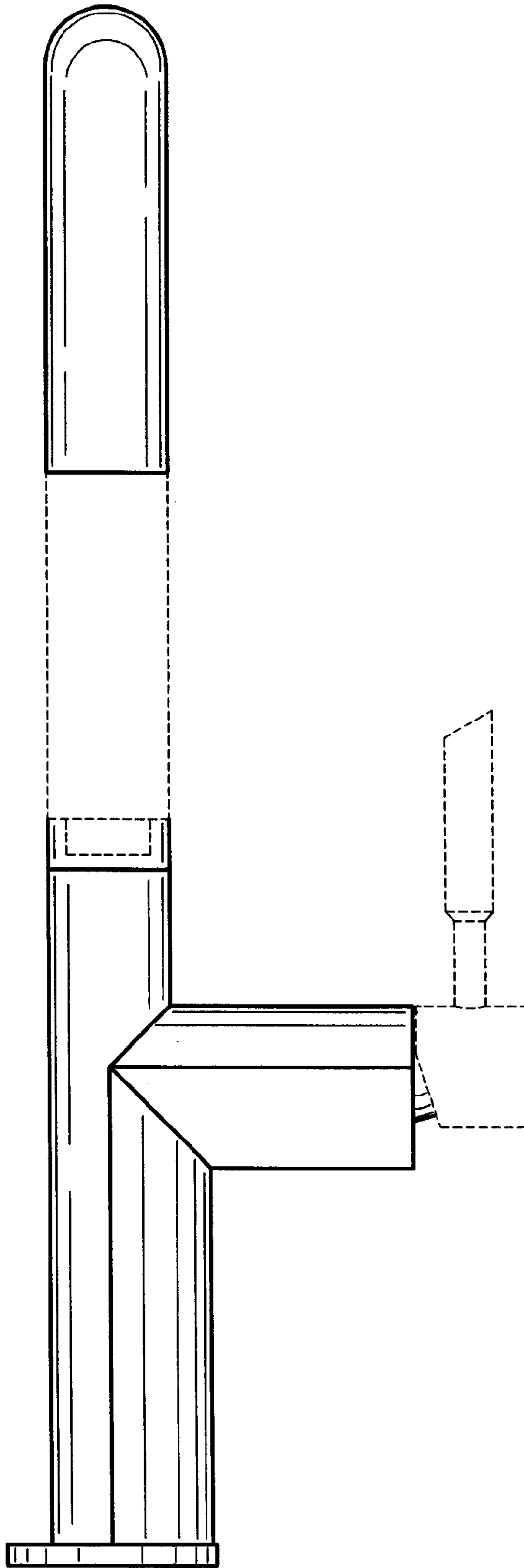


FIG. 2

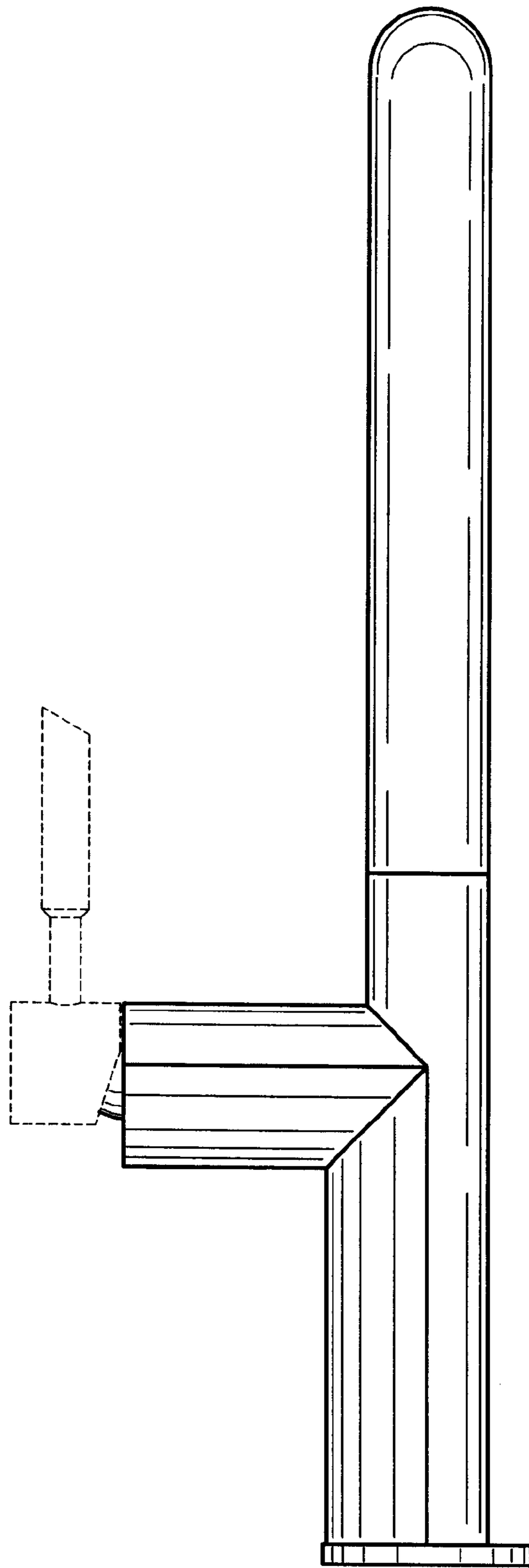


FIG. 3

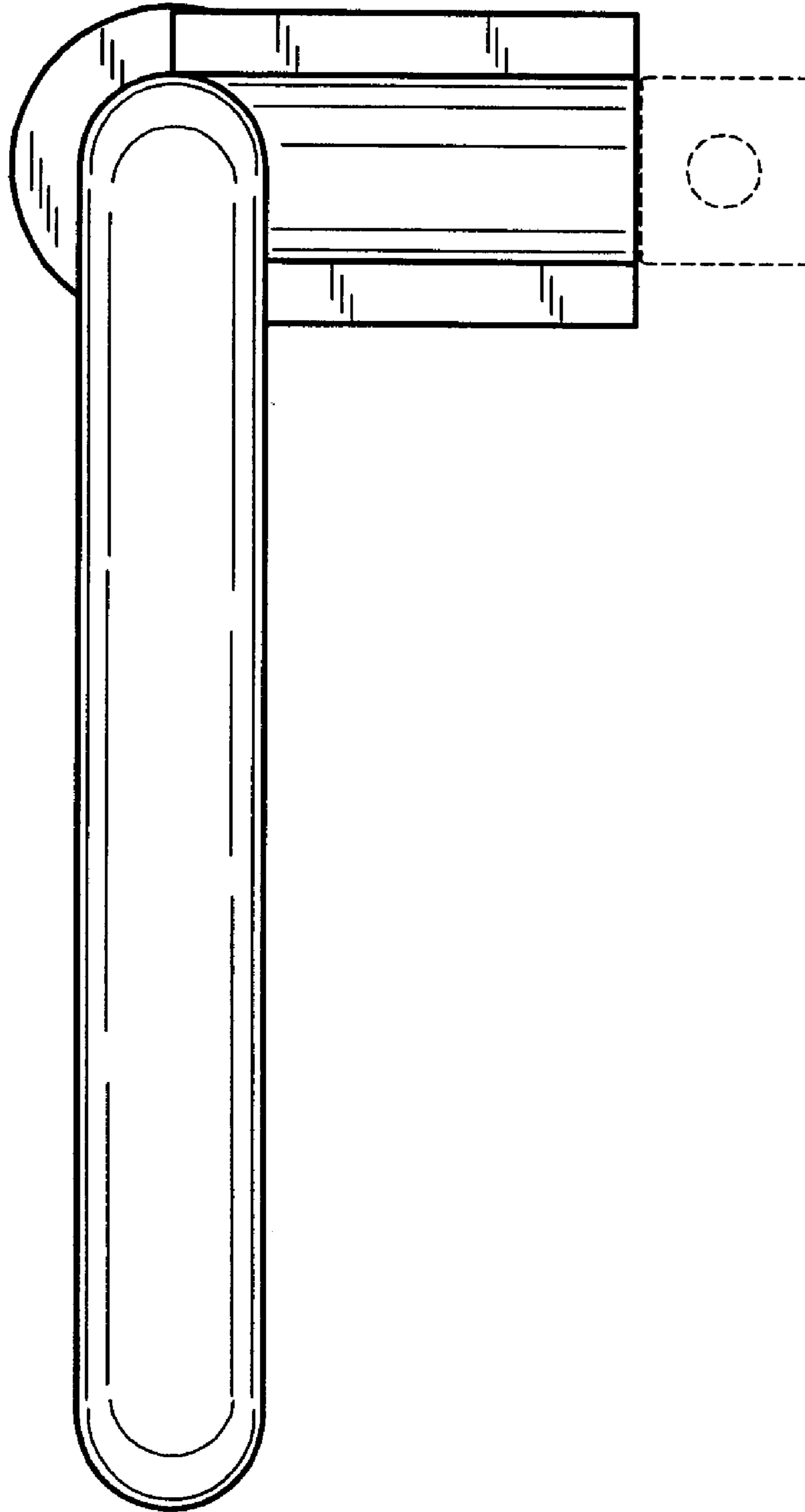


FIG. 4

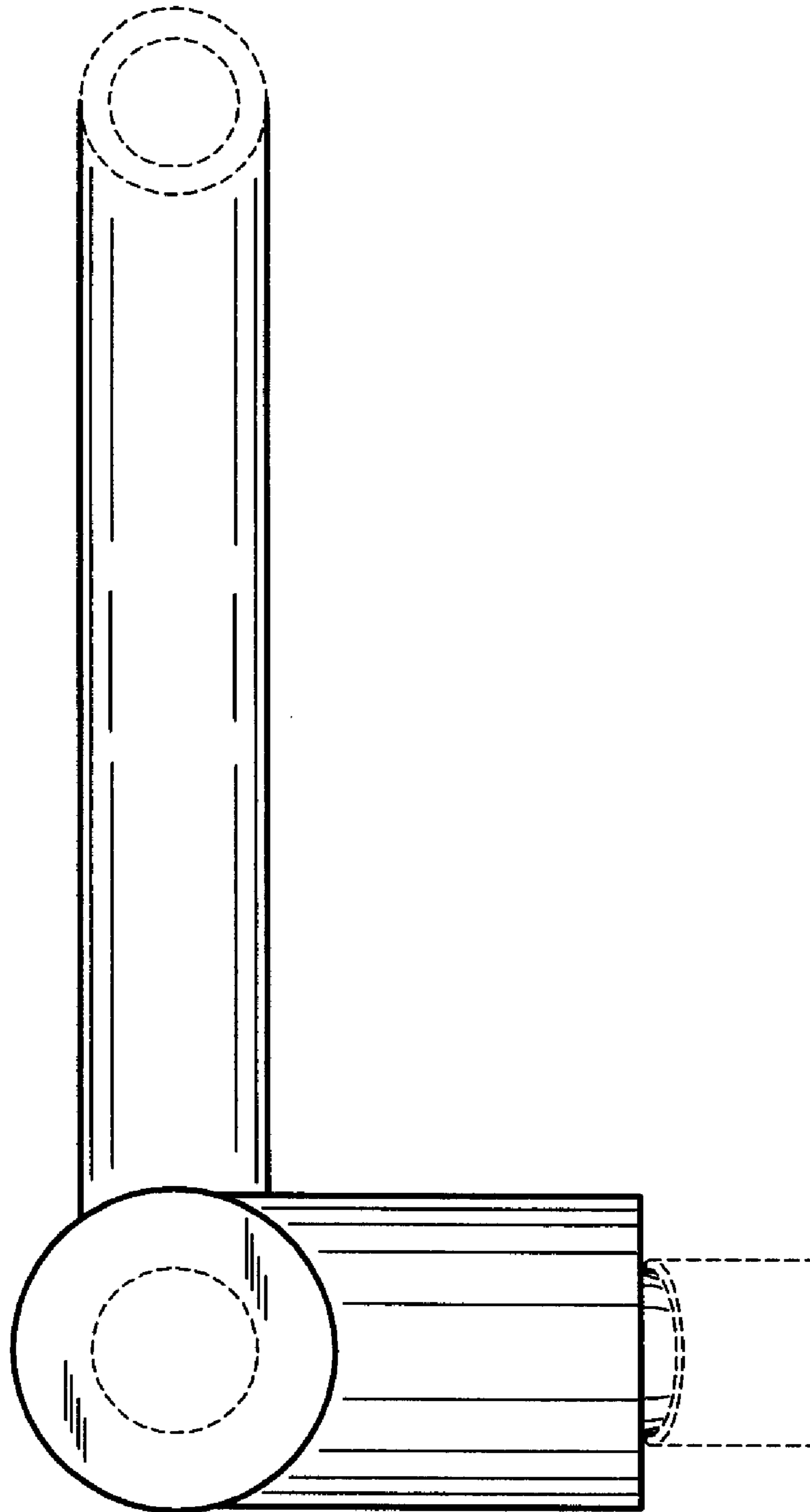


FIG. 5

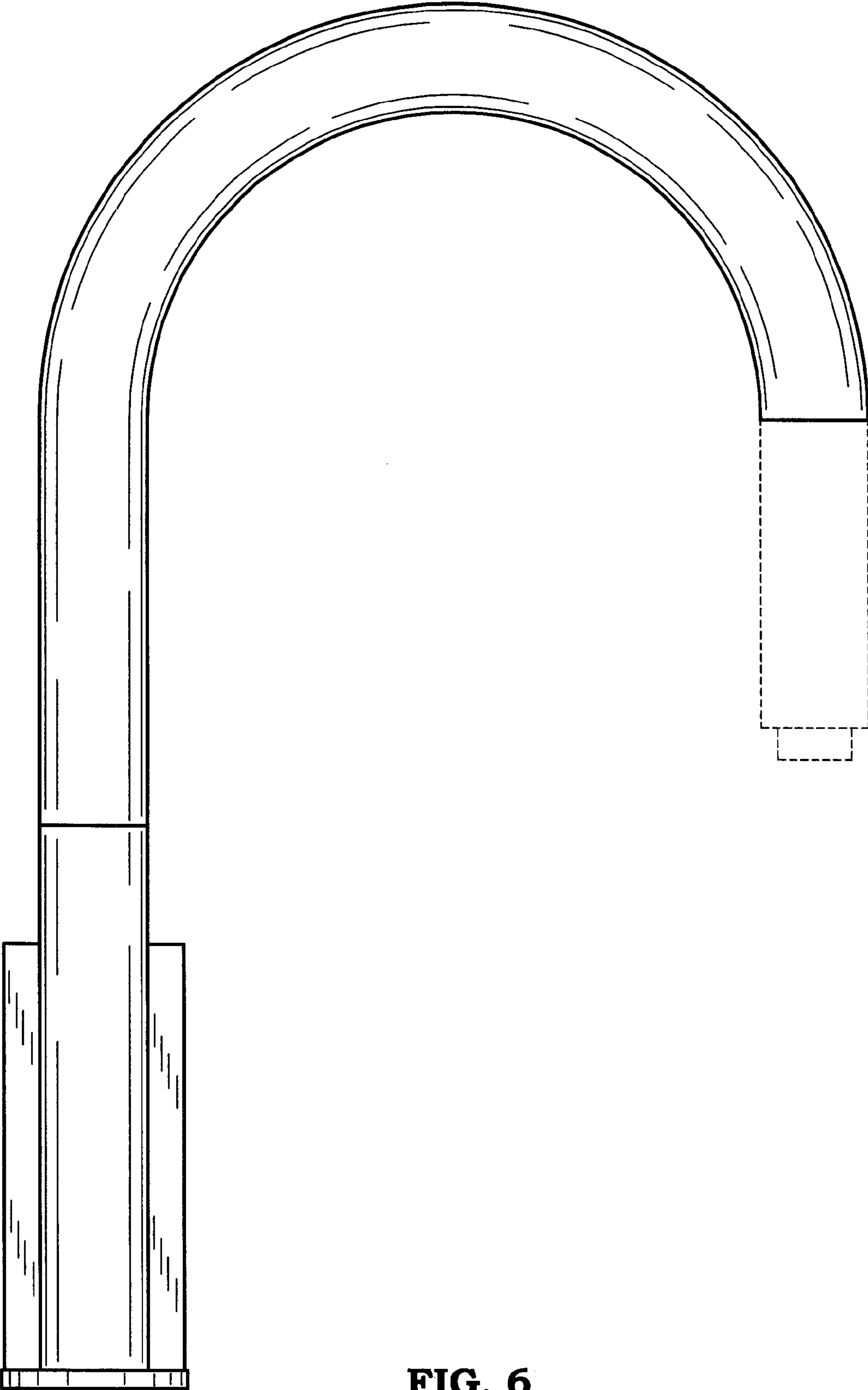


FIG. 6

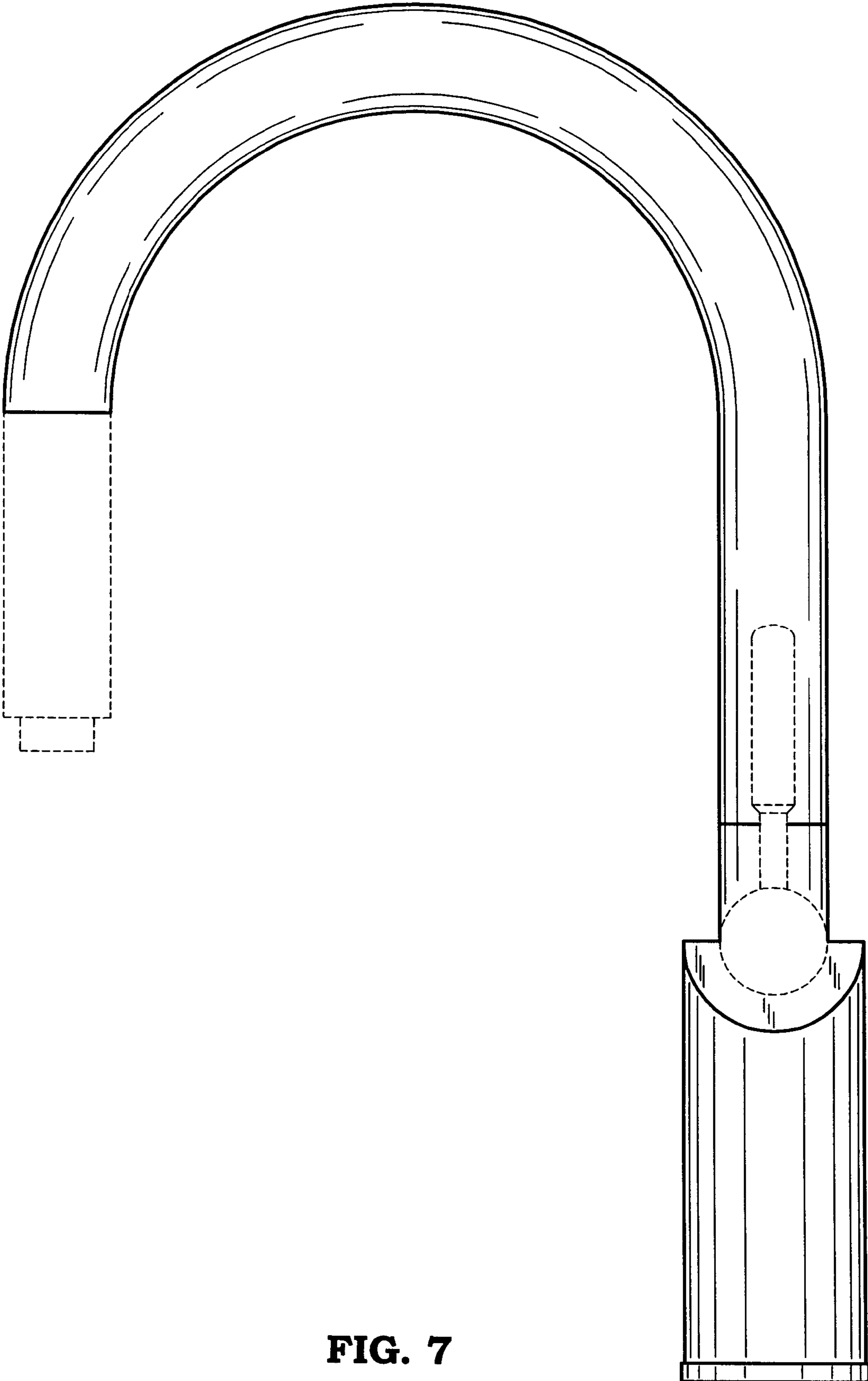


FIG. 7