



US00D528188S

(12) **United States Design Patent**
Lammel et al.

(10) **Patent No.:** **US D528,188 S**

(45) **Date of Patent:** **** Sep. 12, 2006**

(54) **FAUCET**

(75) Inventors: **Micheal Lammel**, Aachen (DE);
Michael Zeisel, Aachen (DE)

(73) Assignee: **KWC AG**, Unterkulm (CH)

(**) Term: **14 Years**

(21) Appl. No.: **29/217,363**

(22) Filed: **Nov. 17, 2004**

(30) **Foreign Application Priority Data**

May 18, 2004 (CH) 130.654

(51) **LOC (8) Cl.** **23-01**

(52) **U.S. Cl.** **D23/238**

(58) **Field of Classification Search** D23/238-257;
4/675; 137/801

See application file for complete search history.

(56) **References Cited**

U.S. PATENT DOCUMENTS

D324,905 S	*	3/1992	Chretien	D23/238
D355,706 S	*	2/1995	Chretien	D23/238
D481,105 S	*	10/2003	Wettstein et al.	D23/238

OTHER PUBLICATIONS

U.S. Appl. No. 29/217,364, filed Nov. 17, 2004, Lammel et al.

* cited by examiner

Primary Examiner—Louis S. Zarfes

Assistant Examiner—Gregory Andoll

(74) *Attorney, Agent, or Firm*—Oblon, Spivak, McClelland, Maier & Neustadt, P.C.

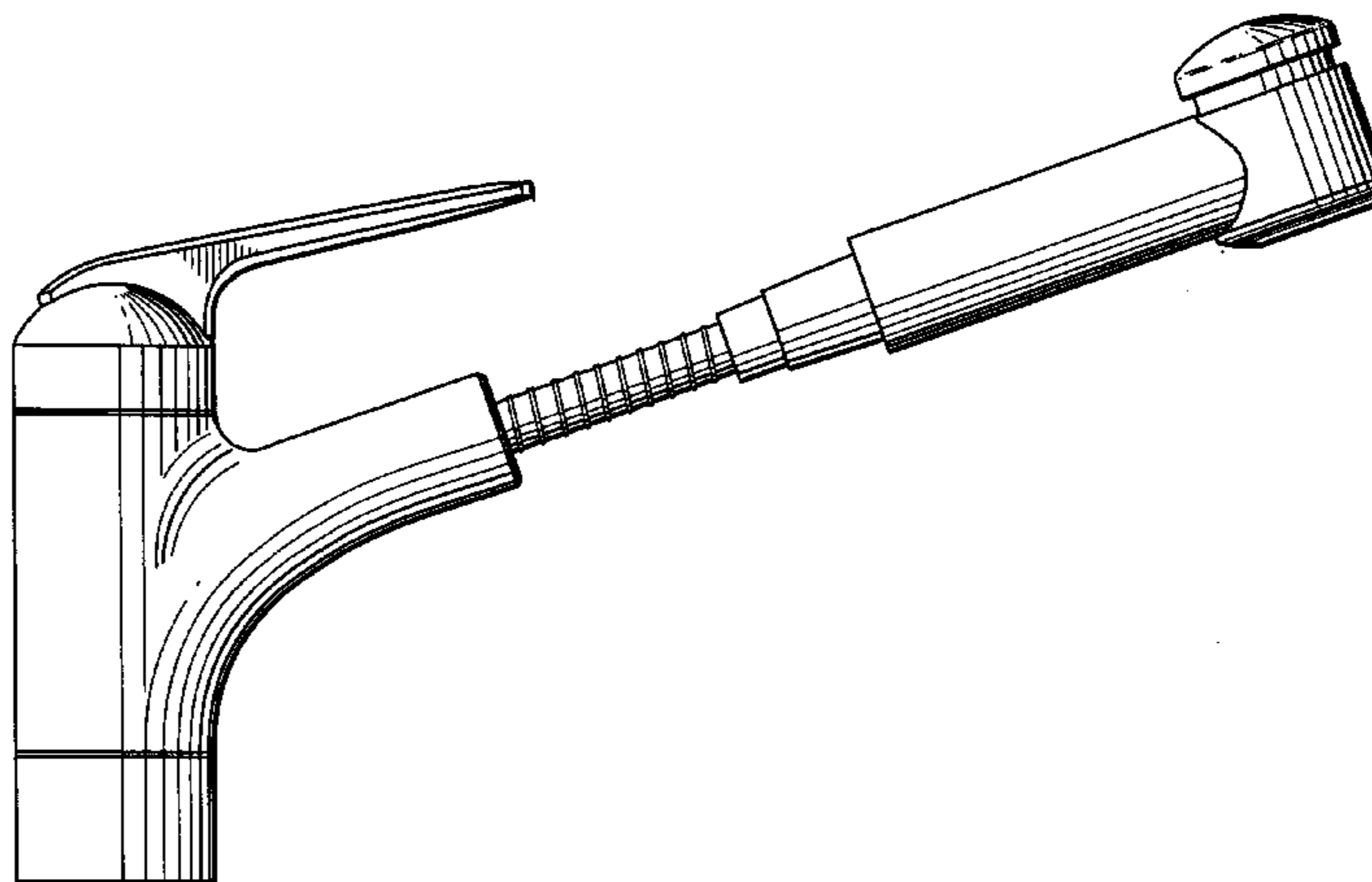
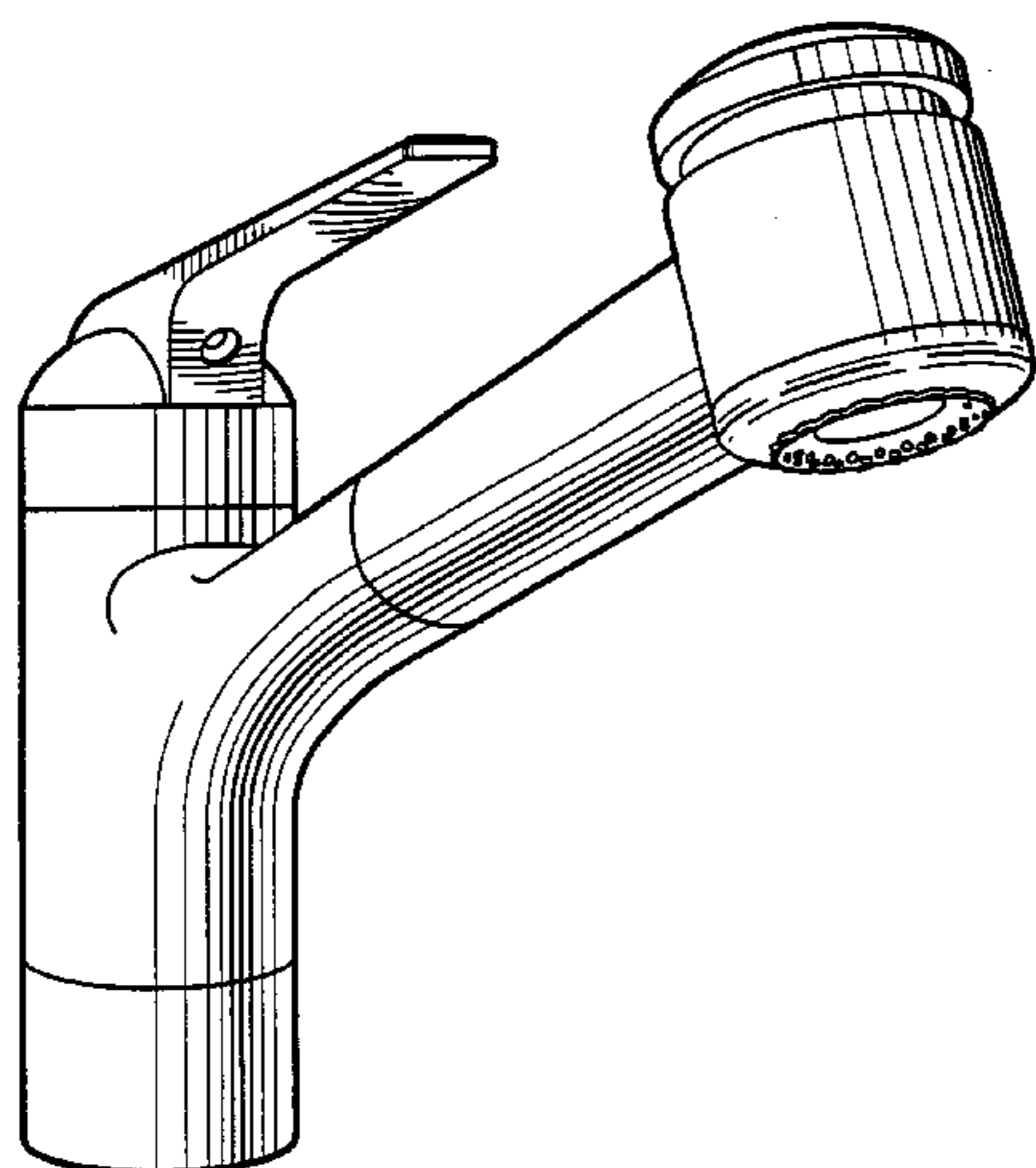
(57) **CLAIM**

The ornamental design for a faucet, as shown and described.

DESCRIPTION

FIG. 1 is a top and left side perspective view of the faucet; FIG. 2 is a left side elevational view thereof showing the extended position of the faucet head, the right side elevational view being a mirror image of the side view shown; FIG. 3 is a top and left rear detail perspective view of the top portion thereof, the top and right rear perspective view being a mirror image of the view shown; and, FIG. 4 is a top plan view of the faucet.

1 Claim, 4 Drawing Sheets



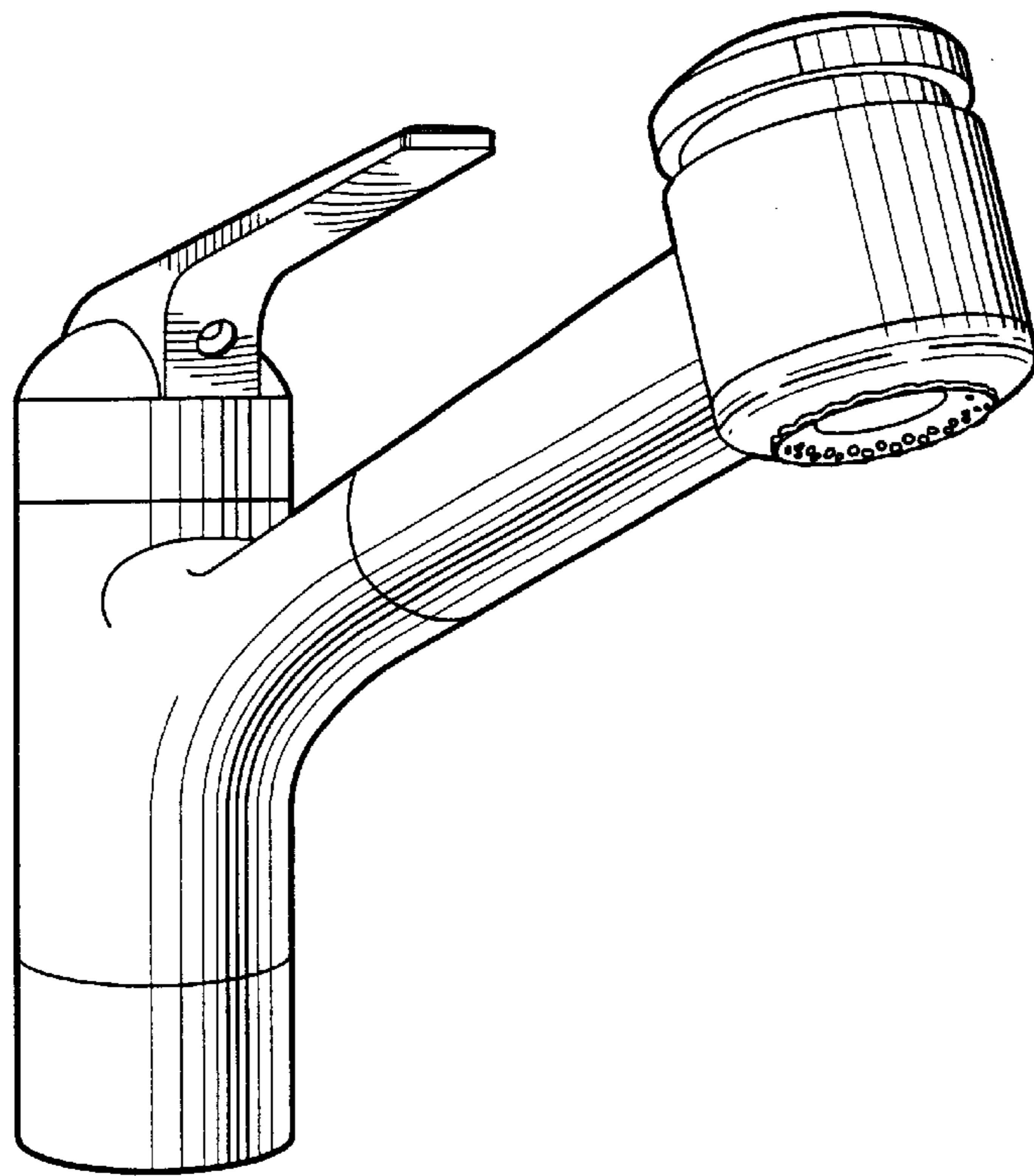


Fig. 1

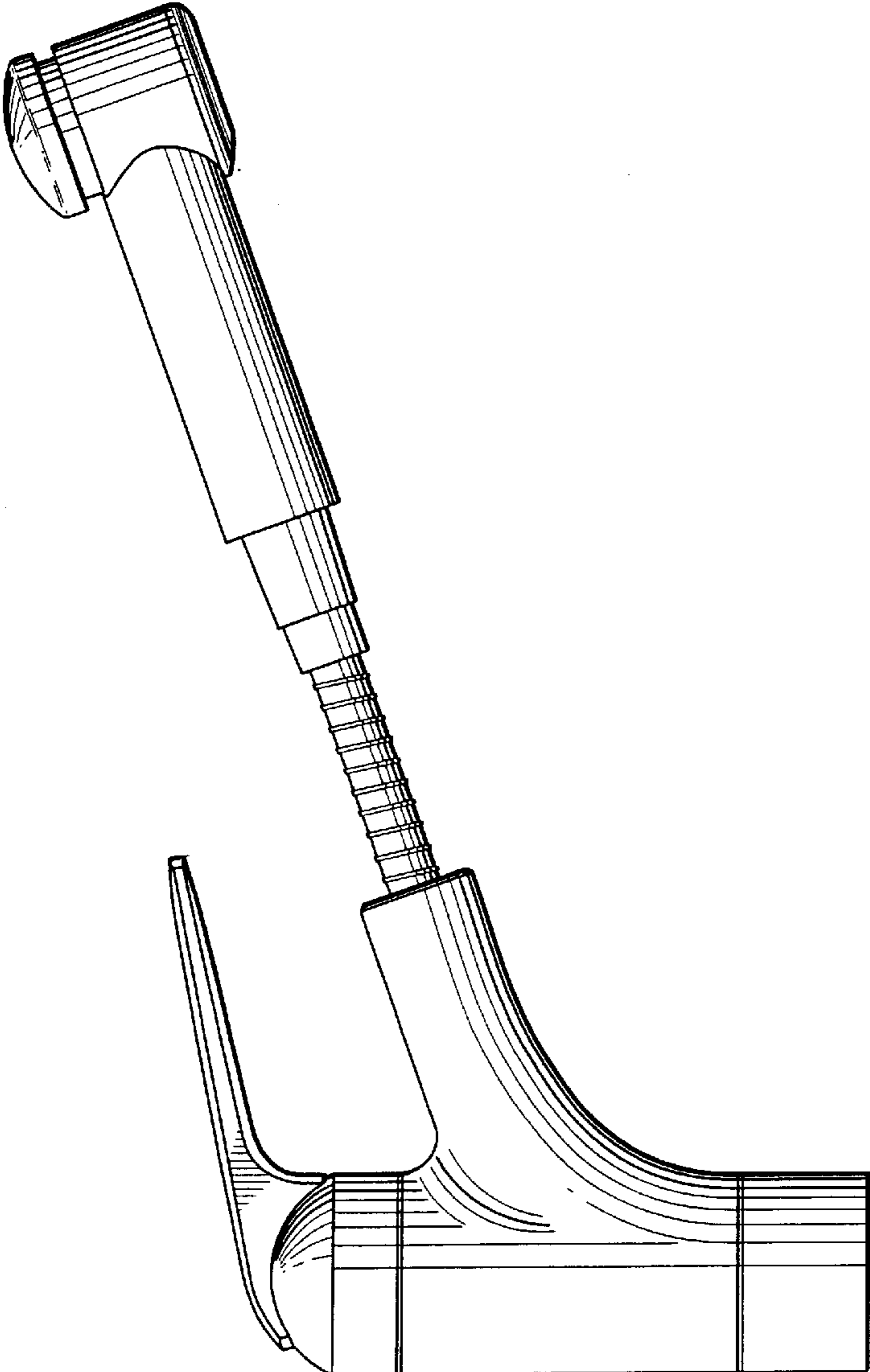


Fig. 2

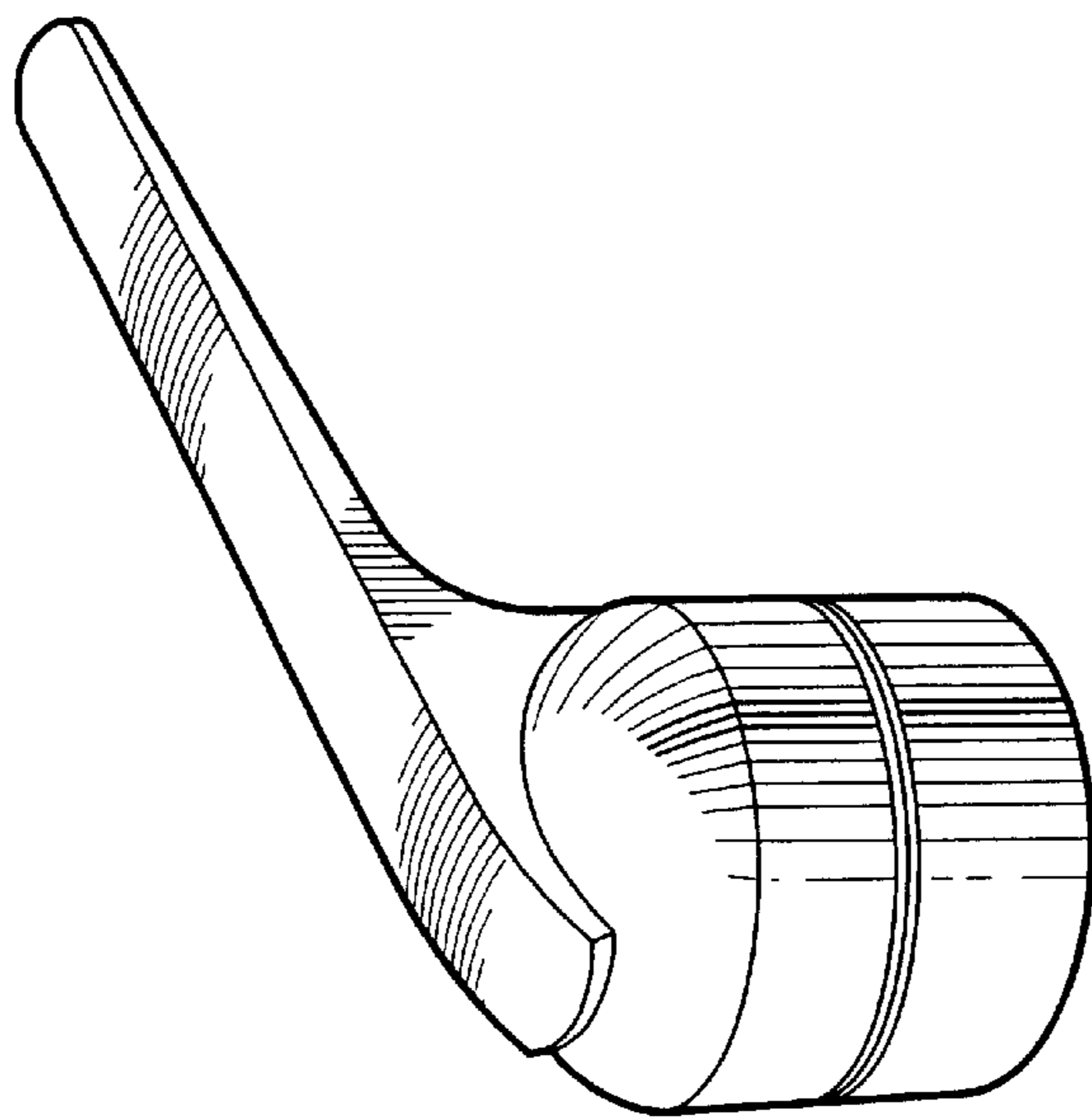


Fig. 3

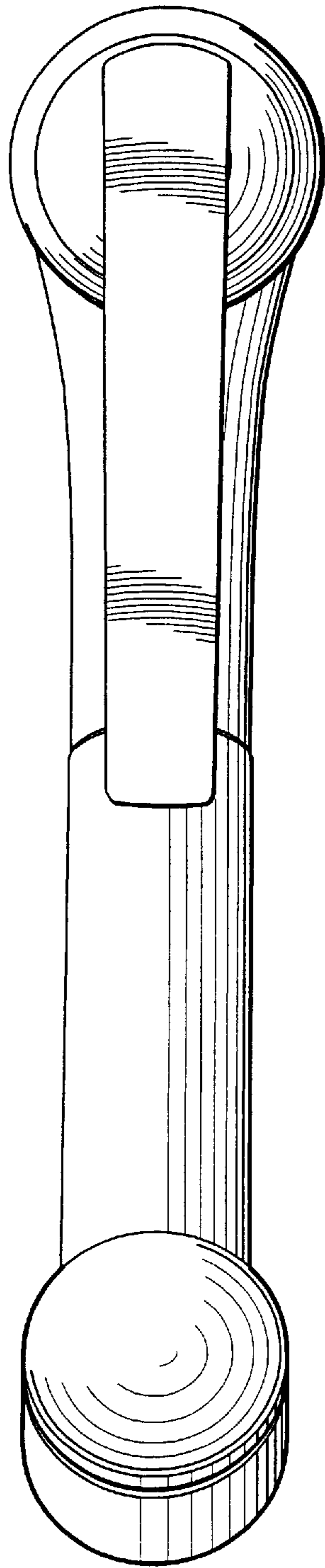


Fig. 4

UNITED STATES PATENT AND TRADEMARK OFFICE
CERTIFICATE OF CORRECTION

PATENT NO. : Des. 528,188 S
APPLICATION NO. : 29/217363
DATED : September 12, 2006
INVENTOR(S) : Lammel et al.

Page 1 of 1

It is certified that error appears in the above-identified patent and that said Letters Patent is hereby corrected as shown below:

On the title page, Item (75), the first inventor's name is incorrect. Item (75) should read:

-- (75) Inventors: **Michael Lammel**, Aachen (DE);
Michael Zeisel, Aachen (DE) --

Signed and Sealed this

Seventh Day of November, 2006

A handwritten signature in black ink on a dotted background. The signature reads "Jon W. Dudas" in a cursive style.

JON W. DUDAS

Director of the United States Patent and Trademark Office