



US00D528186S

(12) **United States Design Patent**
Iwabuchi

(10) **Patent No.:** **US D528,186 S**
(45) **Date of Patent:** **** Sep. 12, 2006**

(54) **FISHING REEL DRAG LEVER**

(57) **CLAIM**

(75) Inventor: **Masakazu Iwabuchi**, Tondabayashi (JP)

The ornamental design for a fishing reel drag lever, as shown and described.

(73) Assignee: **Shimano Inc.**, Osaka (JP)

DESCRIPTION

(**) Term: **14 Years**

FIG. 1 is a left top perspective view of the fishing reel drag lever in accordance with my new design;
FIG. 2 is a right top perspective view of the fishing reel drag lever in accordance with my new design;
FIG. 3 is a right bottom perspective view of the fishing reel drag lever in accordance with my new design;
FIG. 4 is a front elevational view of the fishing reel drag lever in accordance with my new design;
FIG. 5 is a rear elevational view of the fishing reel drag lever in accordance with my new design;
FIG. 6 is a right side view of the fishing reel drag lever in accordance with my new design;
FIG. 7 is a left side view of the fishing reel drag lever in accordance with my new design;
FIG. 8 is a top plan view of the fishing reel drag lever in accordance with my new design; and,
FIG. 9 is a bottom plan view of the fishing reel drag lever in accordance with my new design.
The broken line showing of environment (the remaining structure of the fishing reel drag lever) in the Figures is for illustrative purposes only and forms no part of the claimed design.

(21) Appl. No.: **29/236,066**

(22) Filed: **Aug. 11, 2005**

(51) **LOC (8) Cl.** **22-05**

(52) **U.S. Cl.** **D22/141**

(58) **Field of Classification Search** D22/139-142;
242/311, 318, 322, 390, 370; 43/20-24
See application file for complete search history.

(56) **References Cited**

U.S. PATENT DOCUMENTS

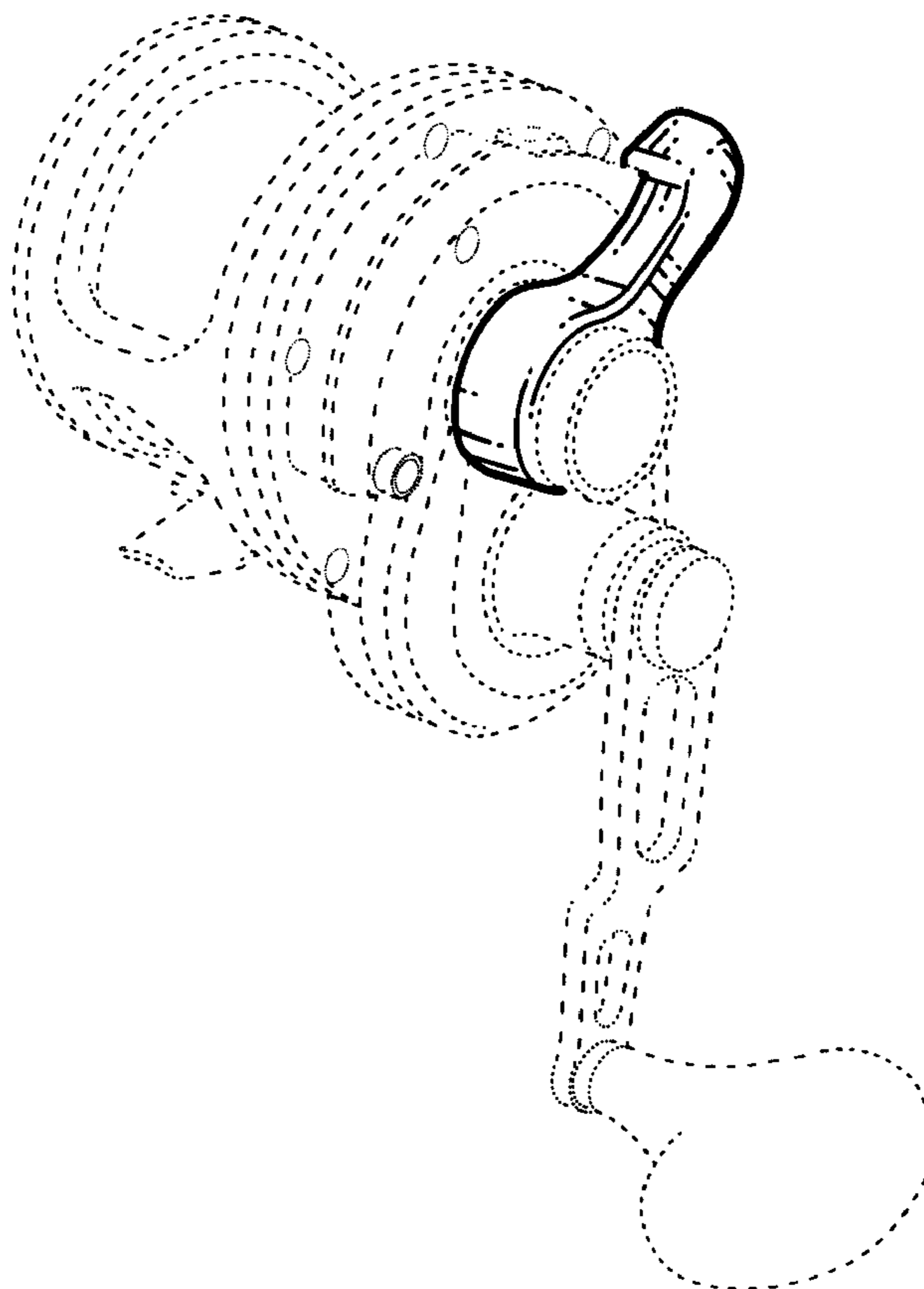
D284,396 S	*	6/1986	Iinuma et al.	D22/140
D451,576 S	*	12/2001	Datcuk et al.	D22/140
D502,754 S	*	3/2005	Tao	D22/140

* cited by examiner

Primary Examiner—Catherine R. Oliver

(74) *Attorney, Agent, or Firm*—Global IP Counselors

1 Claim, 5 Drawing Sheets



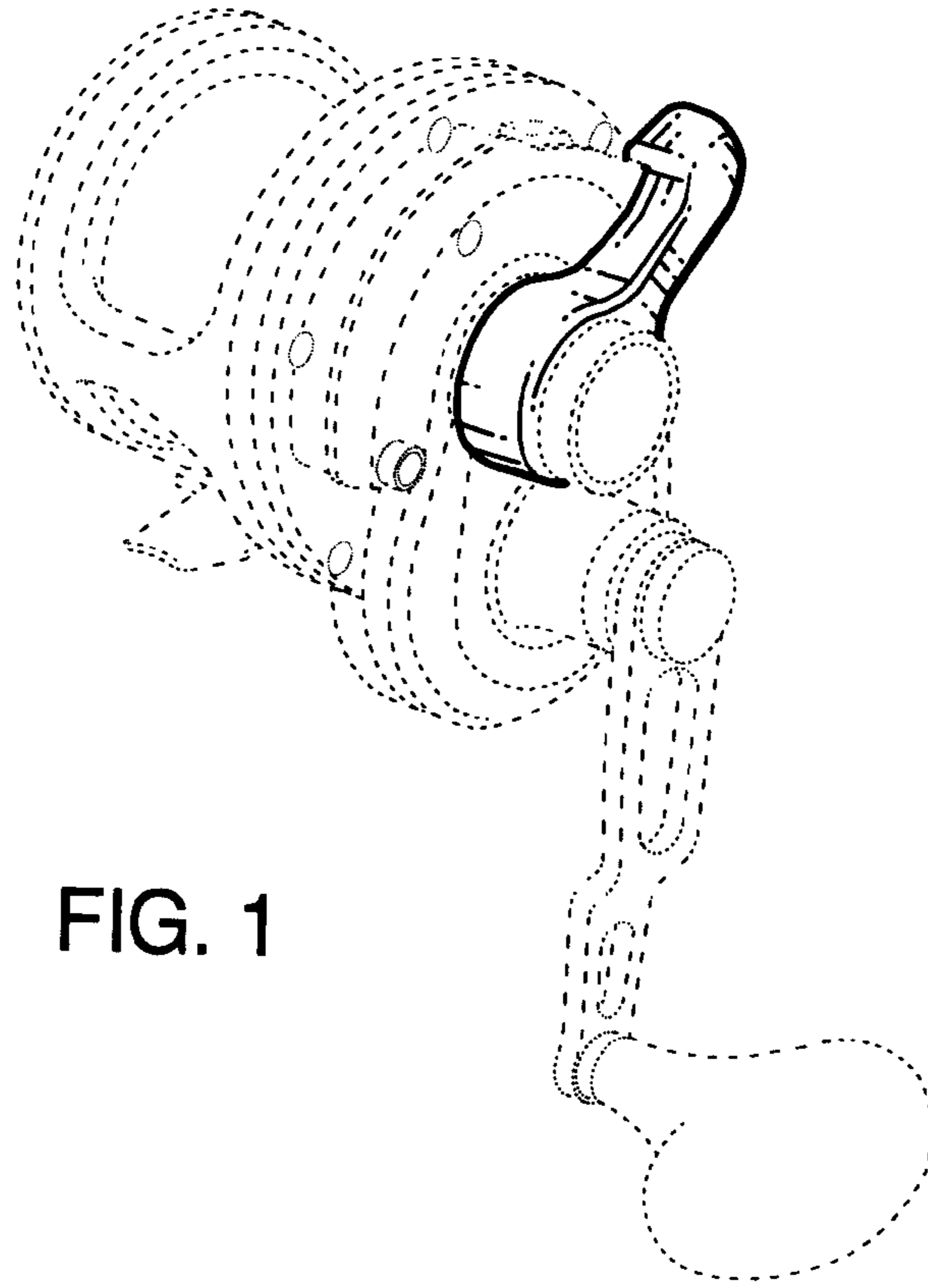


FIG. 1

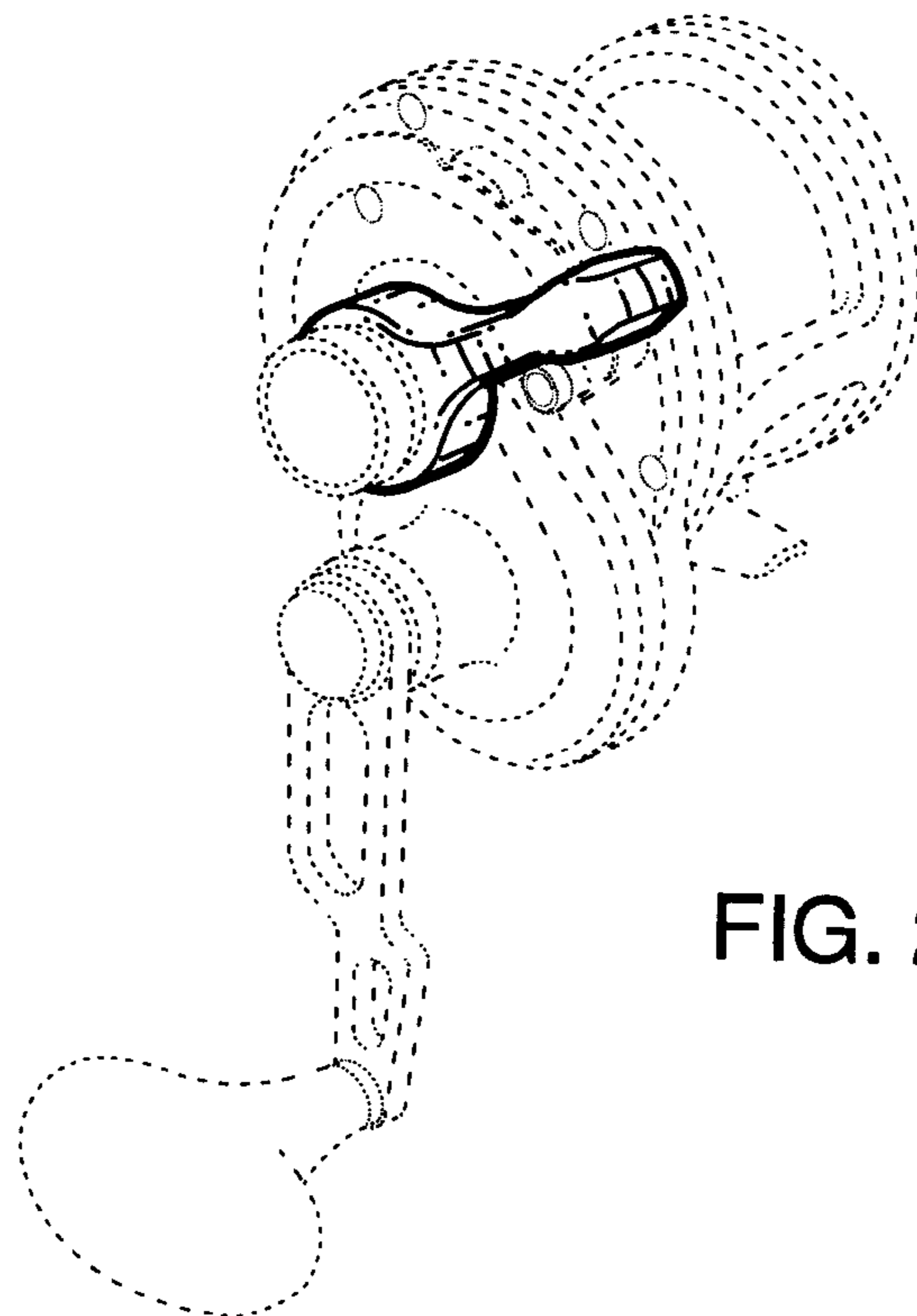


FIG. 2

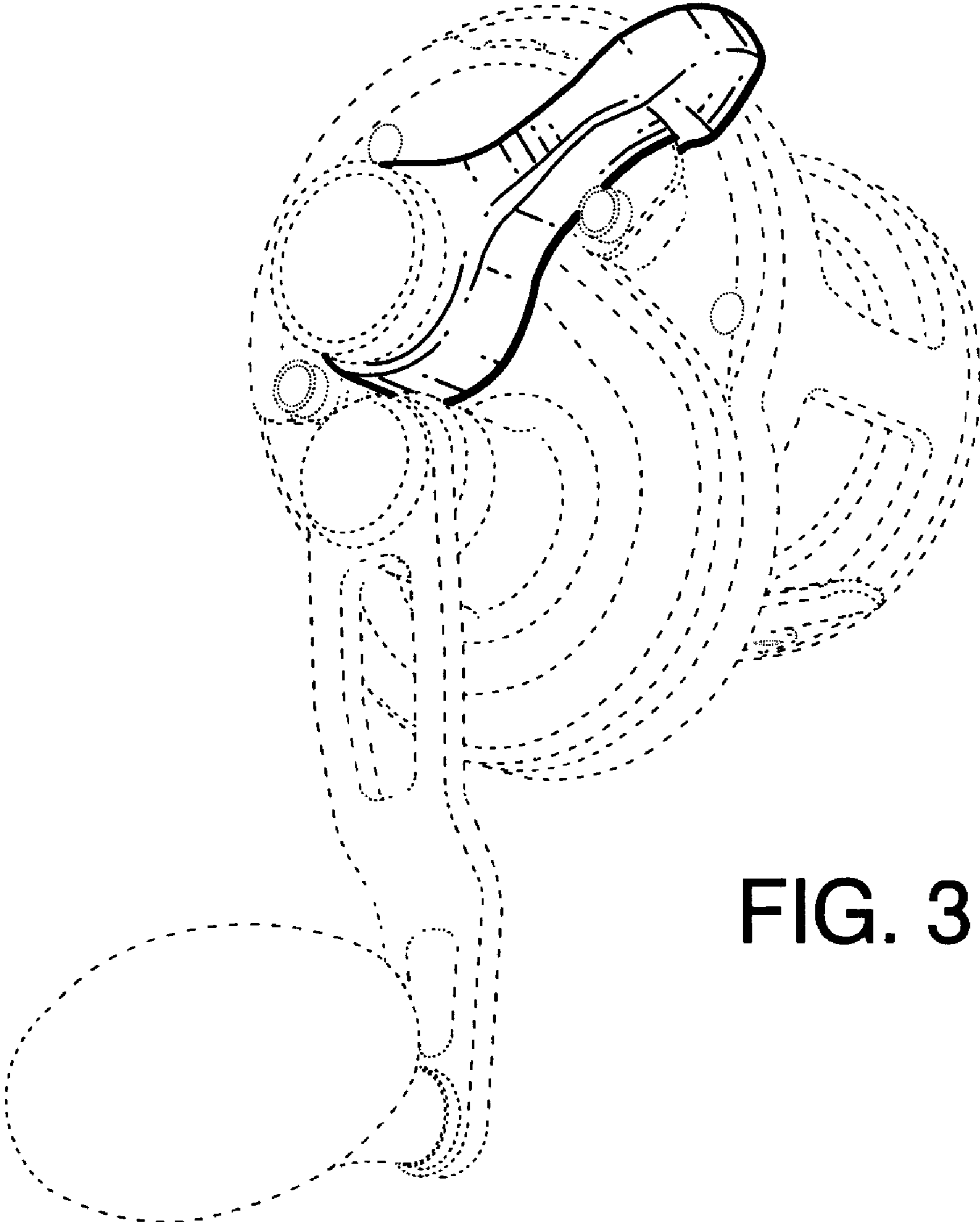


FIG. 3

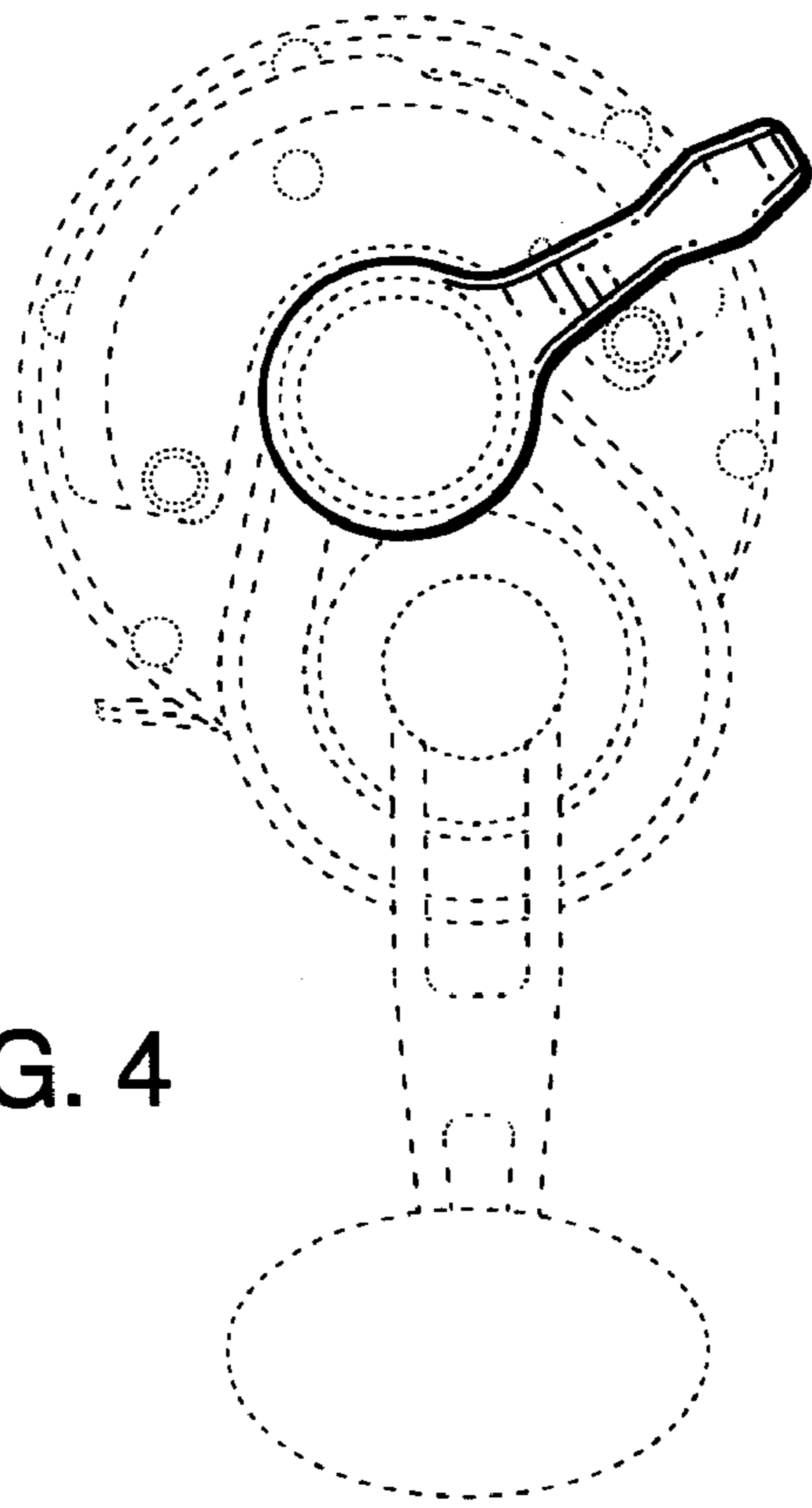


FIG. 4

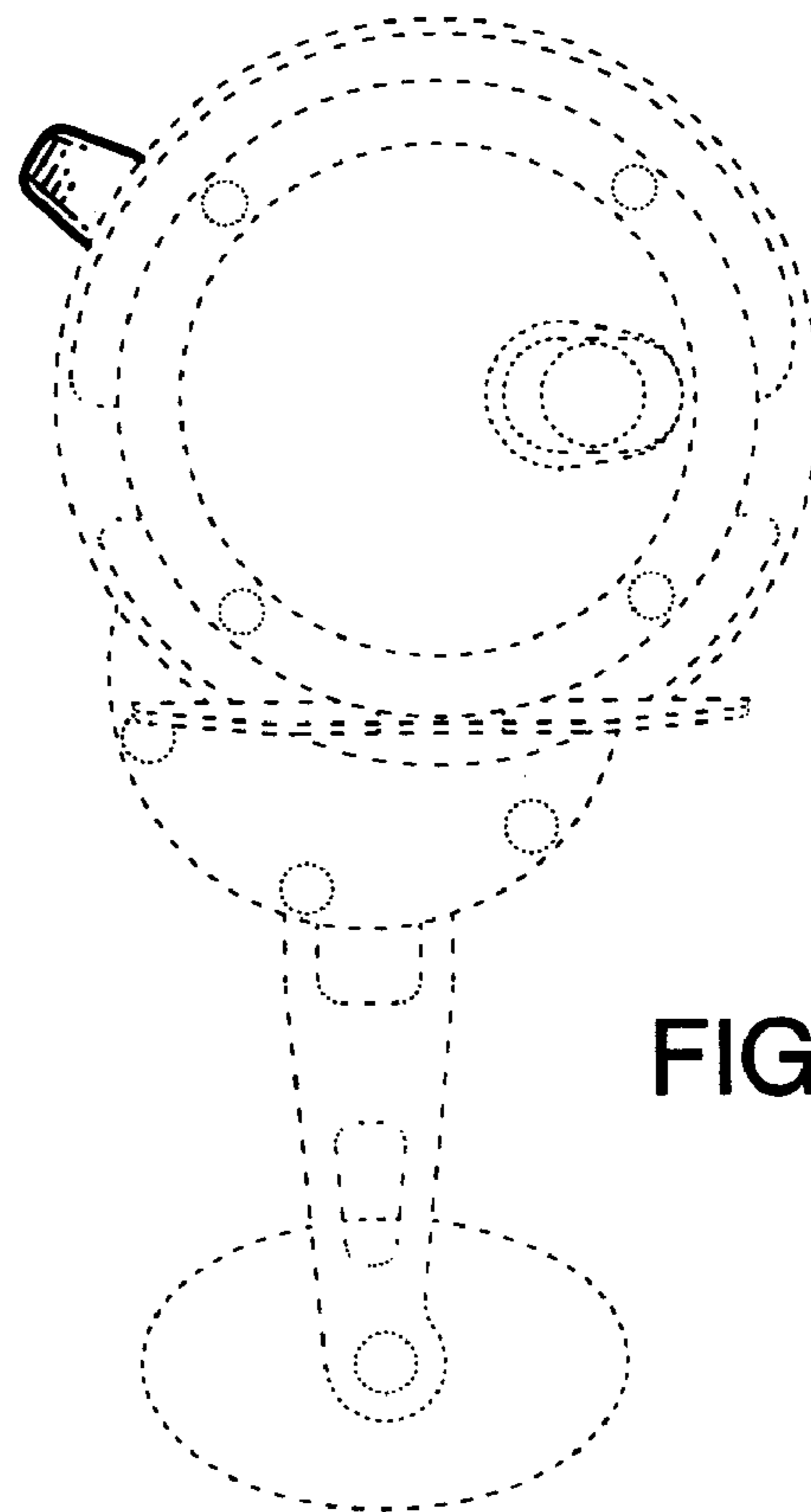


FIG. 5

FIG. 6

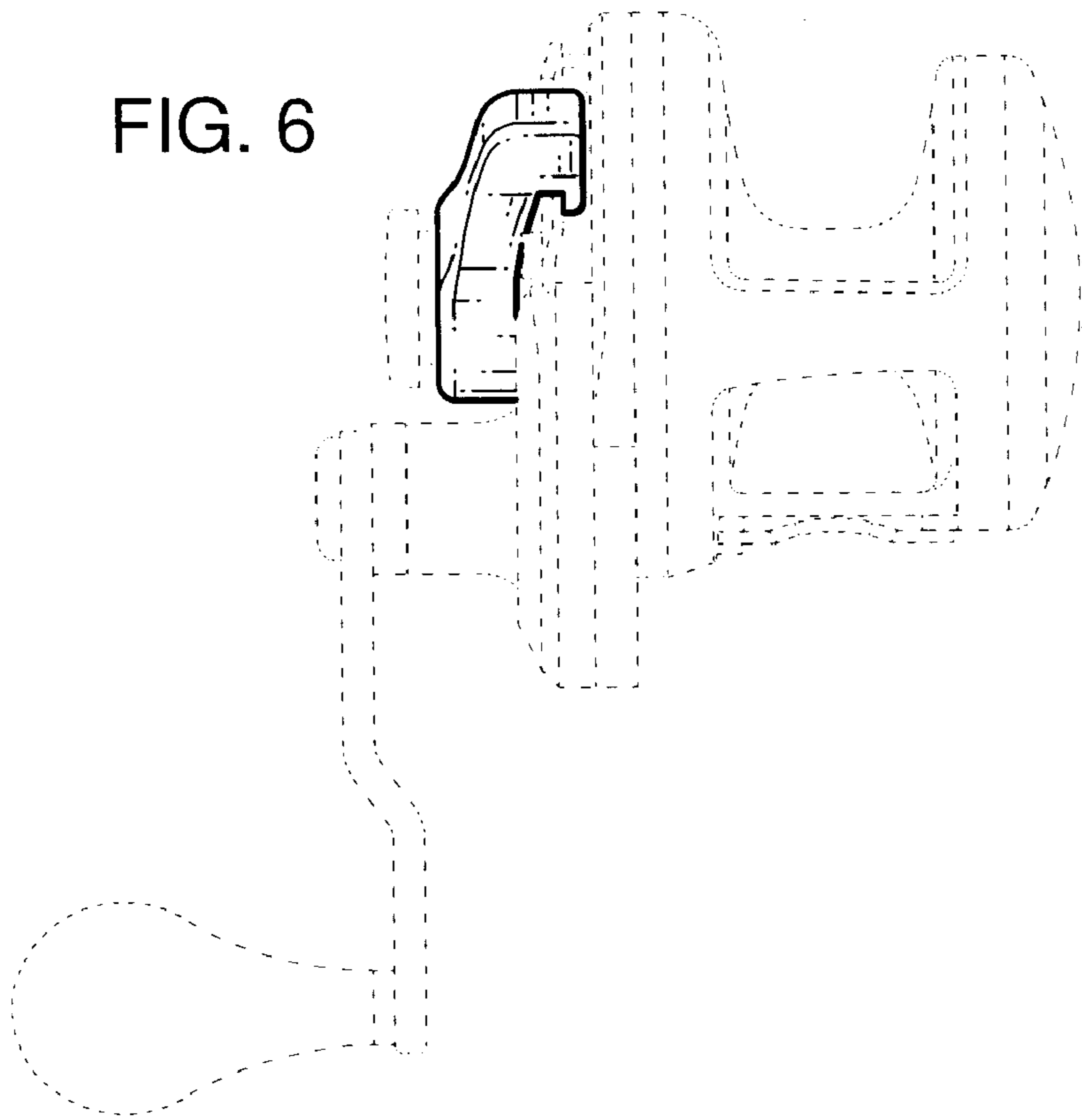
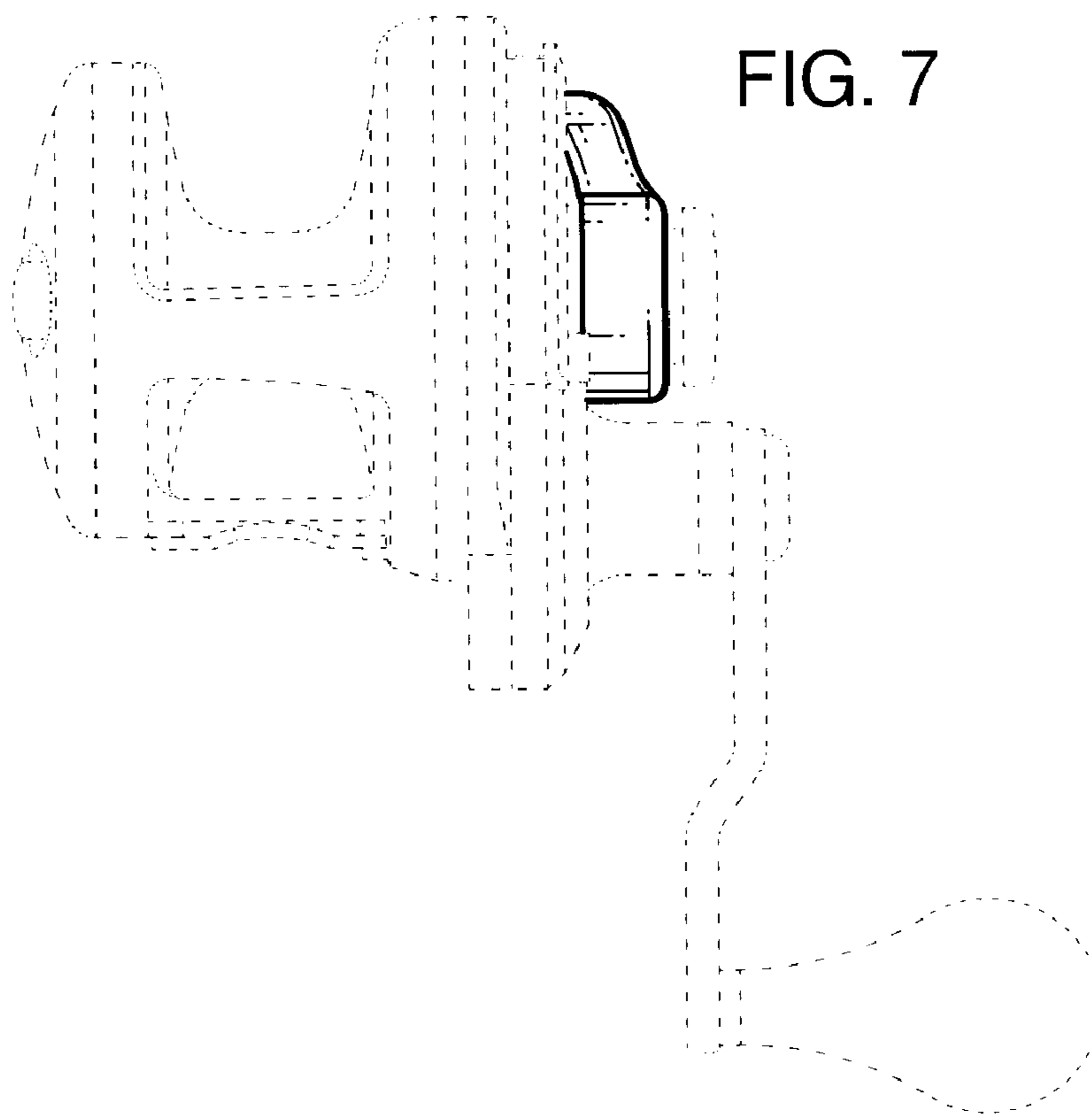


FIG. 7



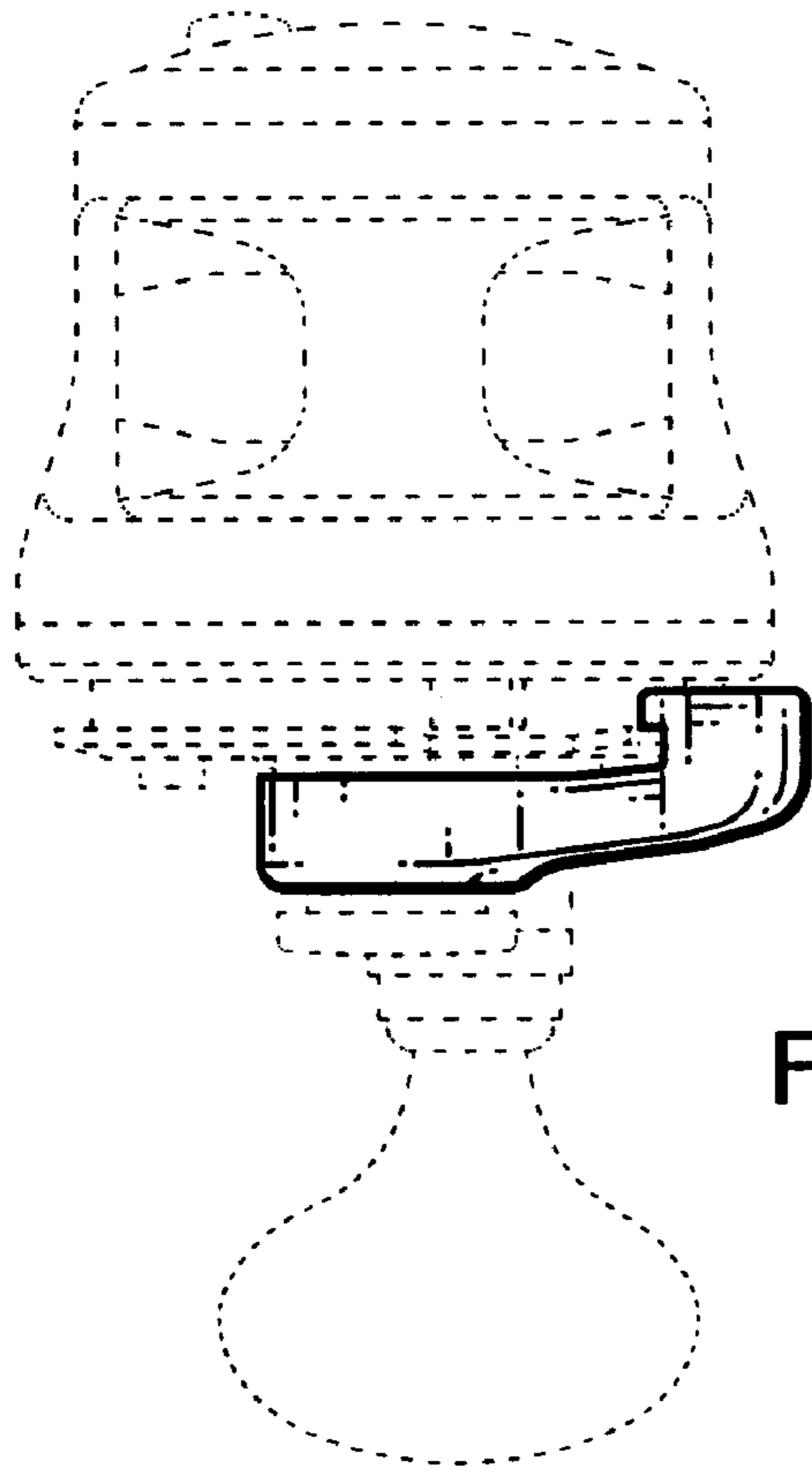


FIG. 8

FIG. 9

