



US00D528177S

(12) **United States Design Patent**
Grace

(10) **Patent No.:** **US D528,177 S**

(45) **Date of Patent:** **** Sep. 12, 2006**

(54) **PORTION OF A PUTTER HEAD**

(75) Inventor: **Robert M. Grace**, St. Pete Beach, FL
(US)

(73) Assignee: **MacGregor Golf Company**, Albany,
GA (US)

(**) Term: **14 Years**

(21) Appl. No.: **29/231,847**

(22) Filed: **Jun. 10, 2005**

(51) **LOC (8) Cl.** **21-02**

(52) **U.S. Cl.** **D21/743**

(58) **Field of Classification Search** D21/736-746,
D21/759; 473/324-331, 251-256, 340, 341
See application file for complete search history.

(56) **References Cited**

U.S. PATENT DOCUMENTS

5,700,207	A	*	12/1997	Guthrie et al.	473/313
D486,540	S	*	2/2004	Bettinardi	D21/738
D486,541	S	*	2/2004	Bettinardi	D21/738
D500,539	S	*	1/2005	Holloway	D21/736
D502,518	S	*	3/2005	Smart	D21/736
D509,273	S	*	9/2005	Morris et al.	D21/743

D513,049	S	*	12/2005	Hendrick	D21/743
D514,182	S	*	1/2006	Olsavsky et al.	D21/743
D515,647	S	*	2/2006	Morgulis	D21/743

* cited by examiner

Primary Examiner—Mitchell Siegel

(74) *Attorney, Agent, or Firm*—Buchanan Ingersoll PC

(57) **CLAIM**

The ornamental design for a portion of a putter head, as shown and described.

DESCRIPTION

FIG. 1 is a top, front perspective view of a portion of a putter head showing my new design.

FIG. 2 is a top, rear perspective view thereof.

FIG. 3 is a bottom, rear perspective view thereof

FIG. 4 is a top plan view thereof.

FIG. 5 is a bottom plan view thereof.

FIG. 6 is a front elevational view thereof.

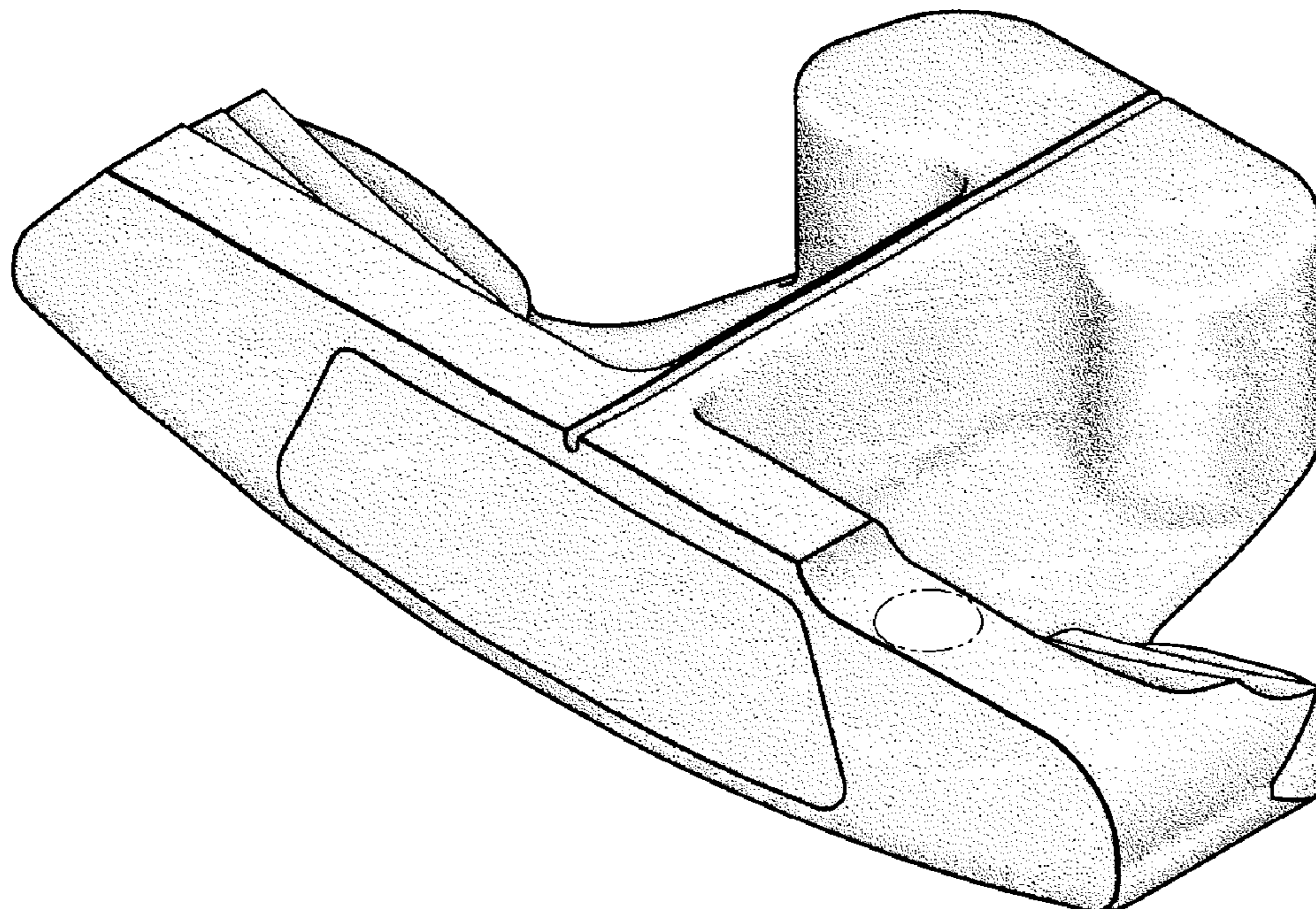
FIG. 7 is a rear elevational view thereof.

FIG. 8 is a right side elevational view thereof; and,

FIG. 9 is a left side elevational view thereof.

The broken line showing is for illustrative purposes only and forms no part of the claimed design.

1 Claim, 5 Drawing Sheets



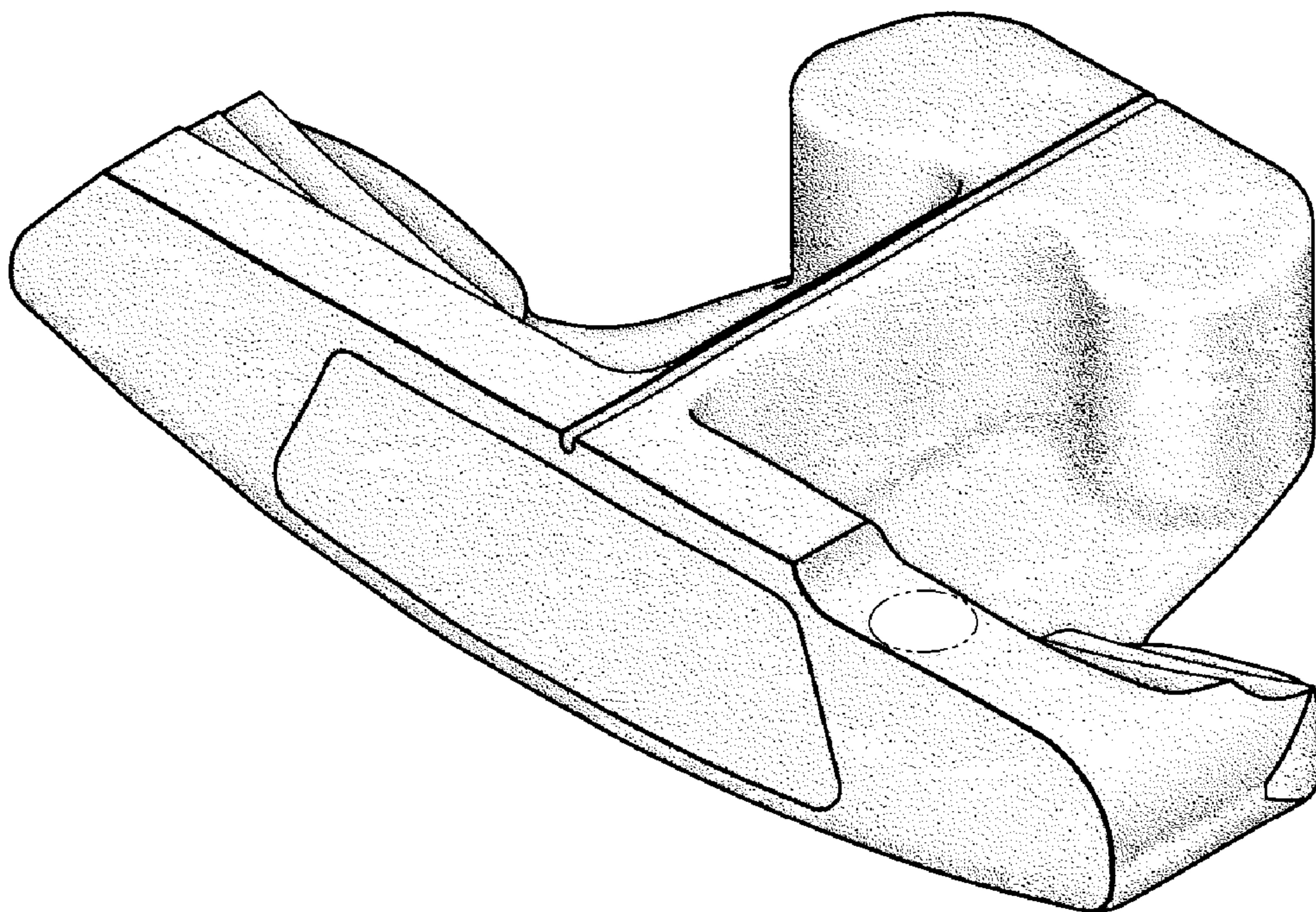


FIG. 1

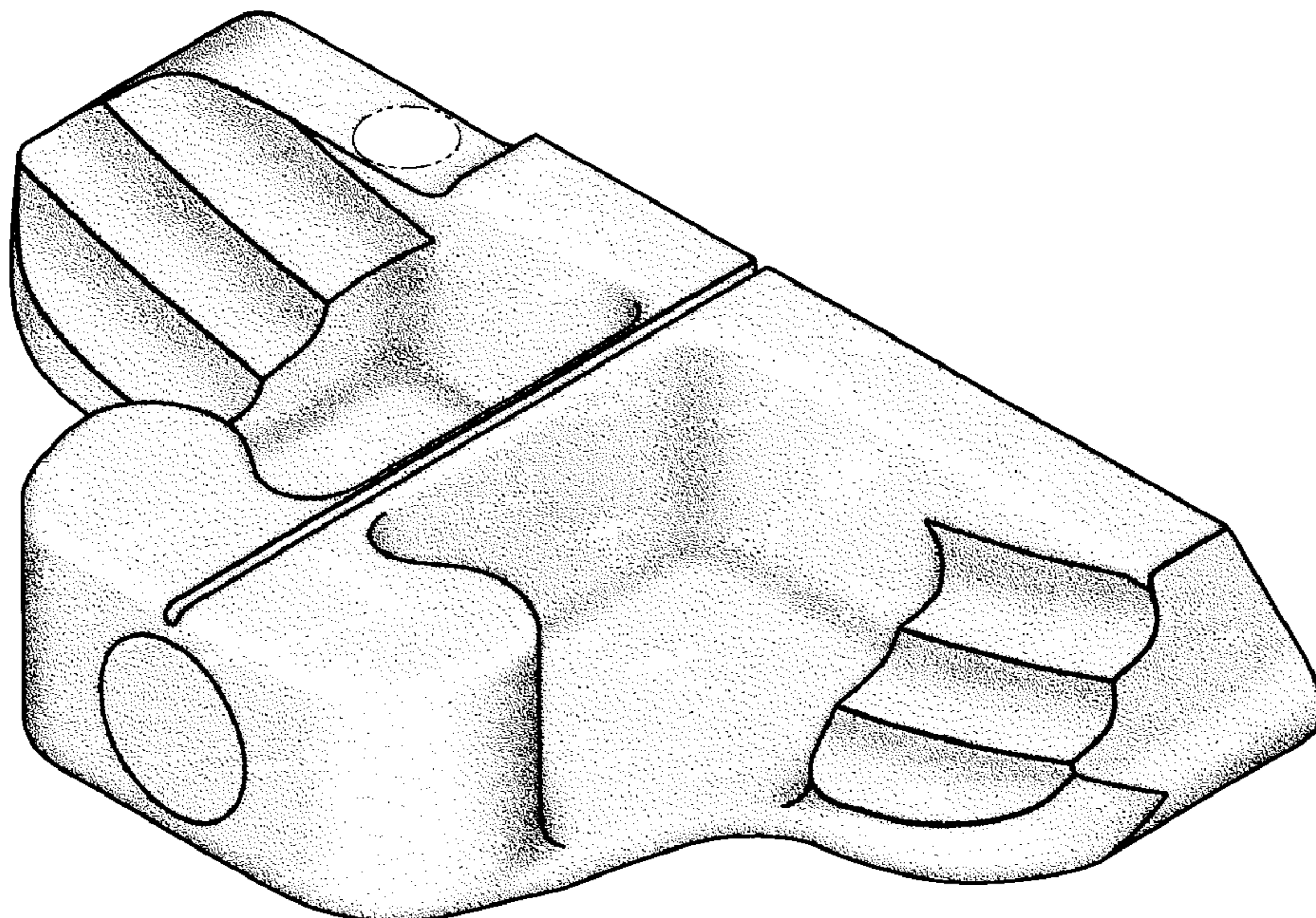


FIG. 2

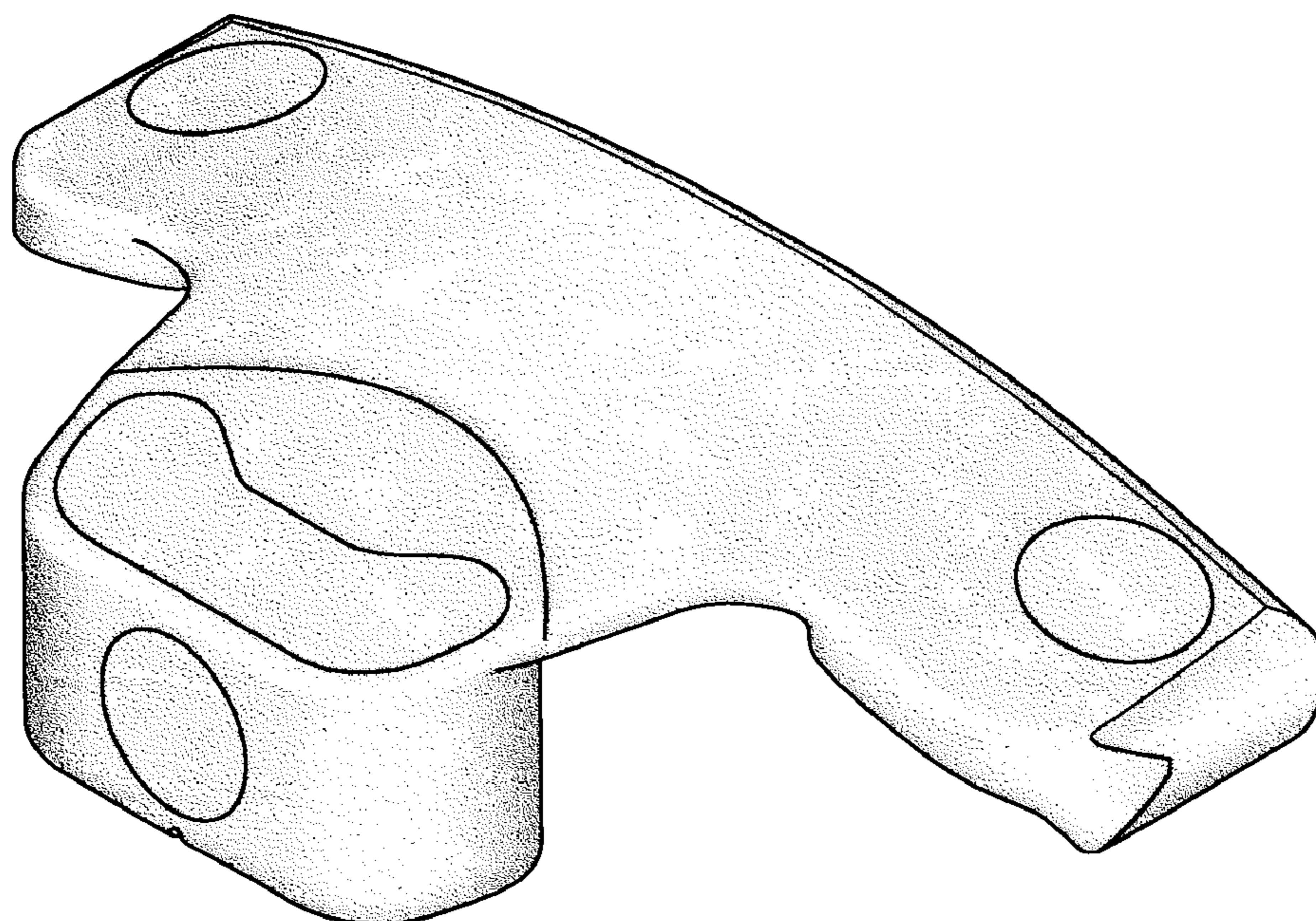


FIG. 3

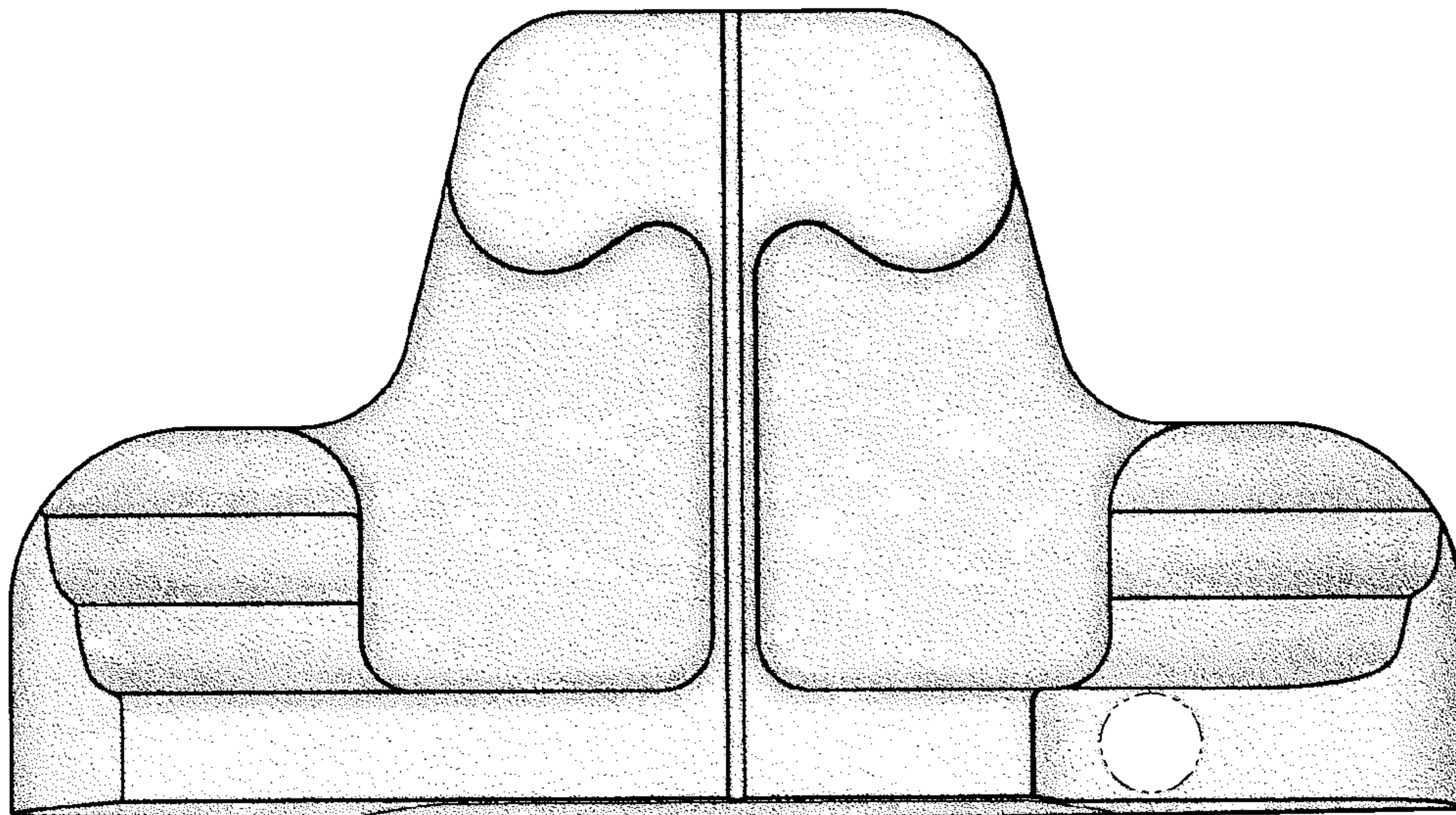


FIG. 4

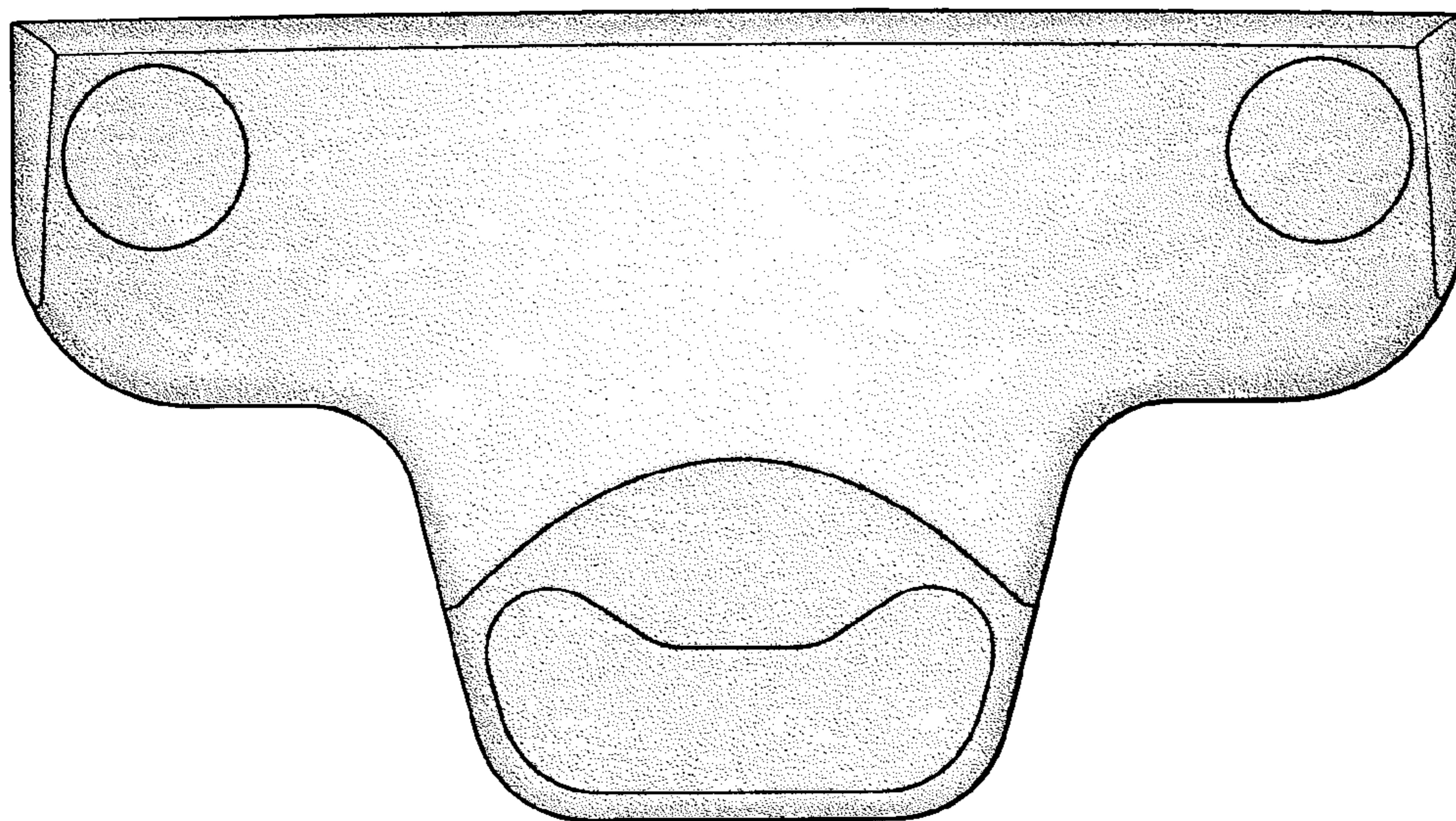


FIG. 5

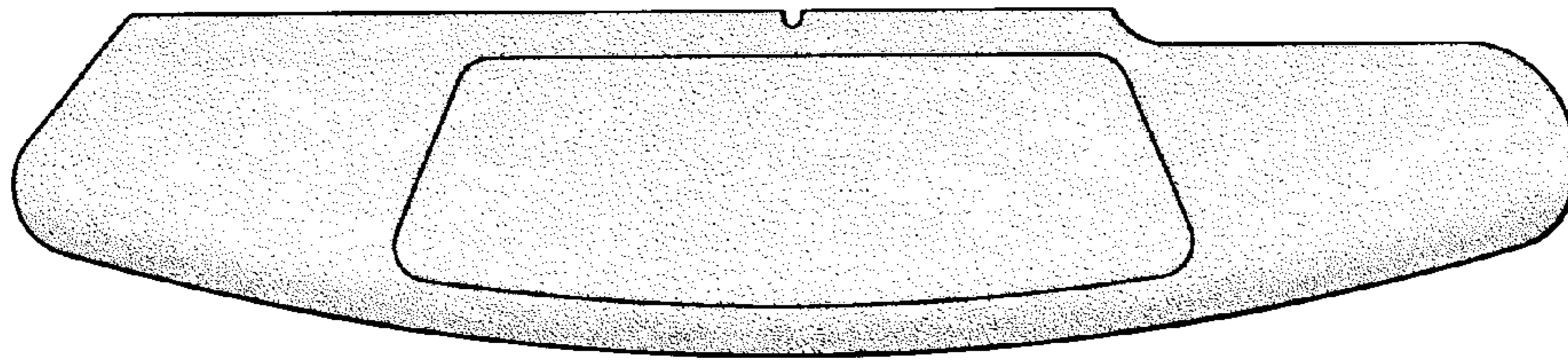


FIG. 6

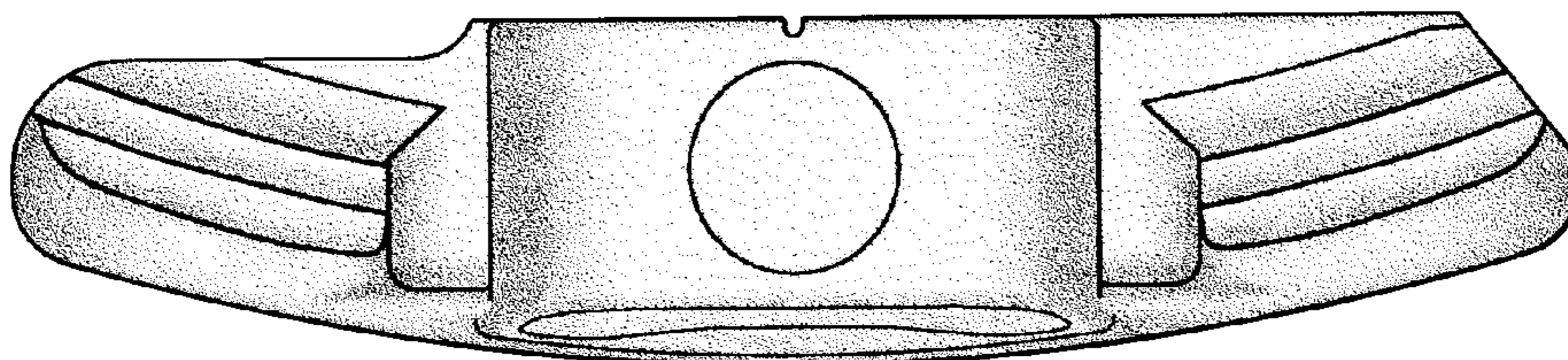


FIG. 7

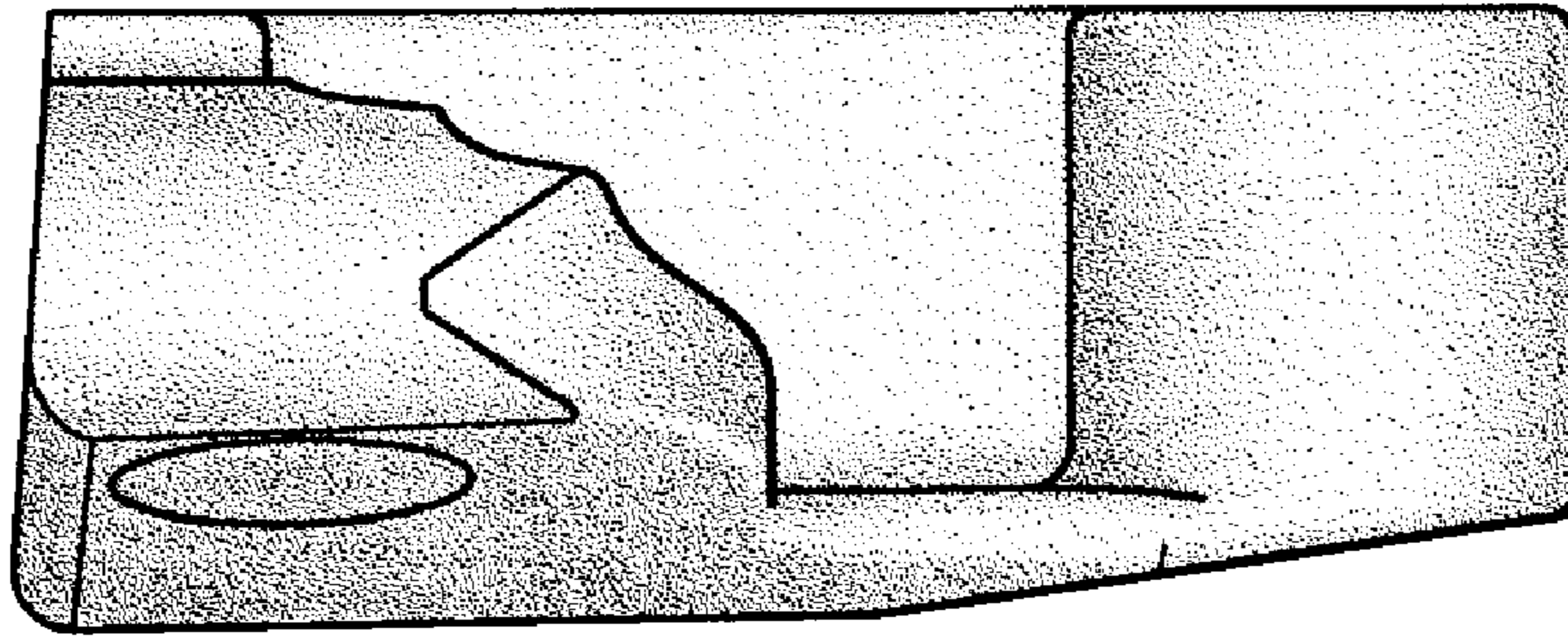


FIG. 8

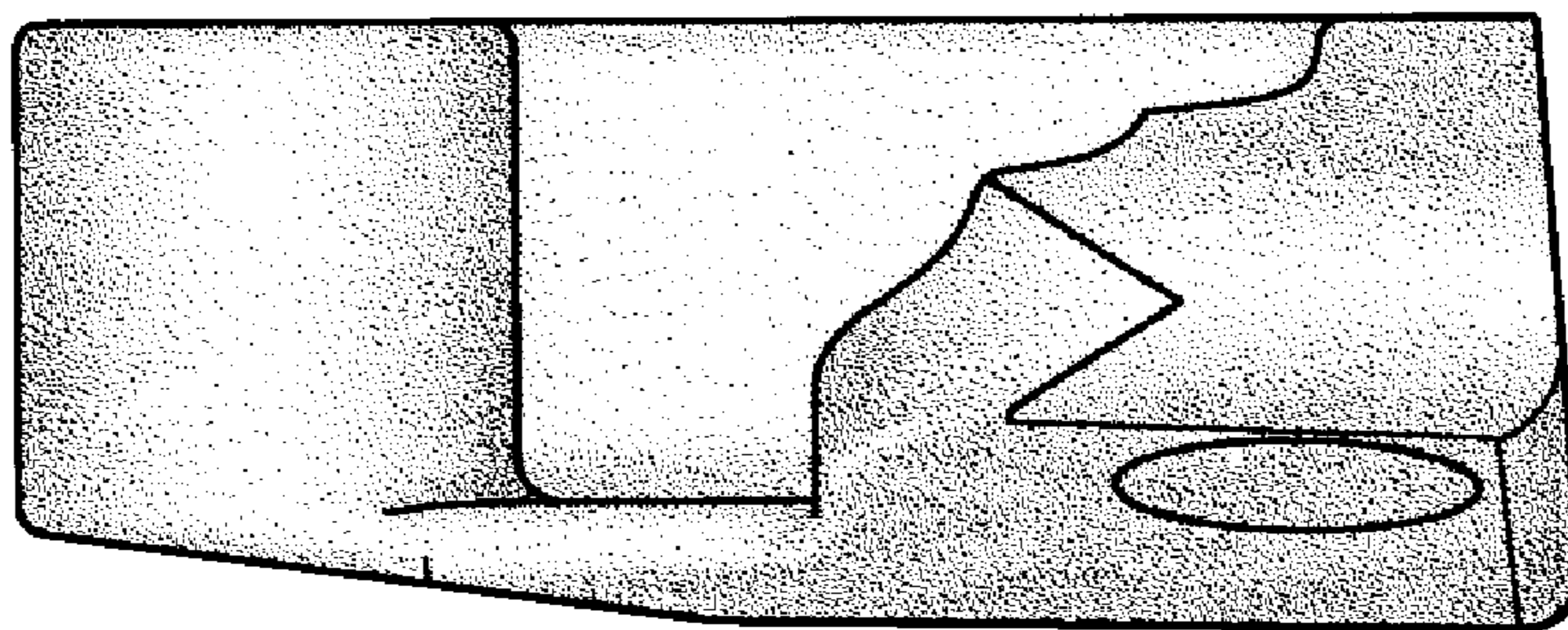


FIG. 9