



US00D528169S

(12) **United States Design Patent**
Hayes

(10) **Patent No.:** **US D528,169 S**

(45) **Date of Patent:** **** Sep. 12, 2006**

(54) **SOUND-ACTIVATED CRIB TOY**

(76) **Inventor:** **Lori L. Hayes**, 35385 Riebel Ct.,
Clinton Township, MI (US) 48035

(**) **Term:** **14 Years**

(21) **Appl. No.:** **29/242,989**

(22) **Filed:** **Nov. 16, 2005**

(51) **LOC (8) Cl.** **21-01**

(52) **U.S. Cl.** **D21/467**

(58) **Field of Classification Search** D11/121,
D11/131, 141, 157, 158; D21/405, 455, 465,
D21/467; D20/21, 42; 40/411, 414, 455,
40/473; 446/227-229, 236, 242
See application file for complete search history.

(56) **References Cited**

U.S. PATENT DOCUMENTS

2,022,390 A * 11/1935 Stern 446/248
4,363,181 A * 12/1982 Hyman et al. 40/466

5,370,570 A * 12/1994 Harris 446/227
D371,170 S * 6/1996 Melandow D21/467
6,447,362 B1 * 9/2002 Khamphilavong et al. .. 446/227
2002/0094748 A1 * 7/2002 Baik 446/227
2003/0106248 A1 * 6/2003 Chang 40/554

* cited by examiner

Primary Examiner—Catherine Tuttle

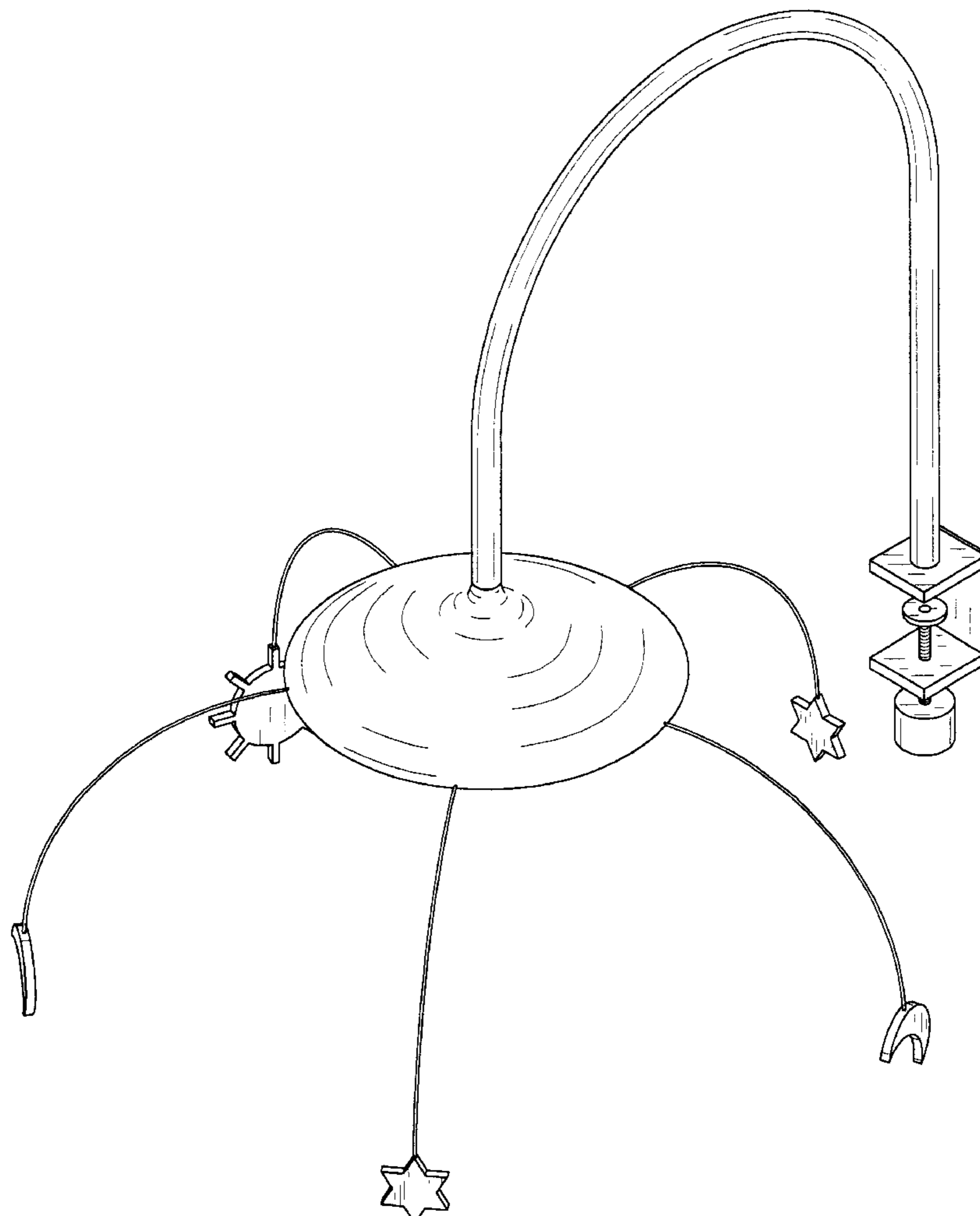
(57) **CLAIM**

I claim, the ornamental design for the sound-activated crib toy, as shown.

DESCRIPTION

FIG. 1 is a front view of the sound-activated crib toy;
FIG. 2 is a back view of the sound-activated crib toy;
FIG. 3 is a top view of the sound-activated crib toy;
FIG. 4 is a bottom view of the sound-activated crib toy;
FIG. 5 is a right-side view of the sound-activated crib toy;
FIG. 6 is a left side view of the sound-activated crib toy; and,
FIG. 7 is a perspective view of the sound-activated crib toy.

1 Claim, 7 Drawing Sheets



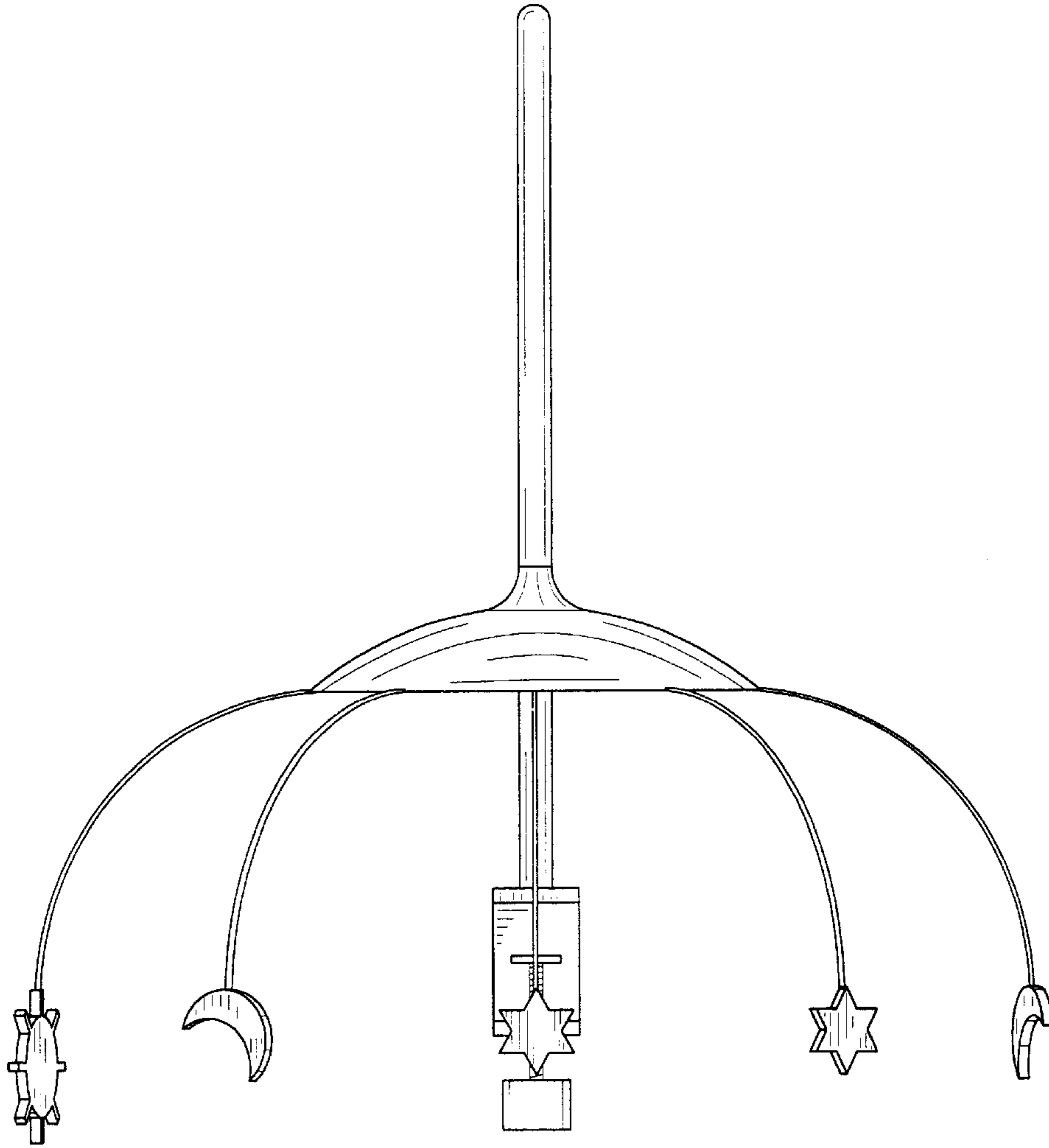


FIG. 1

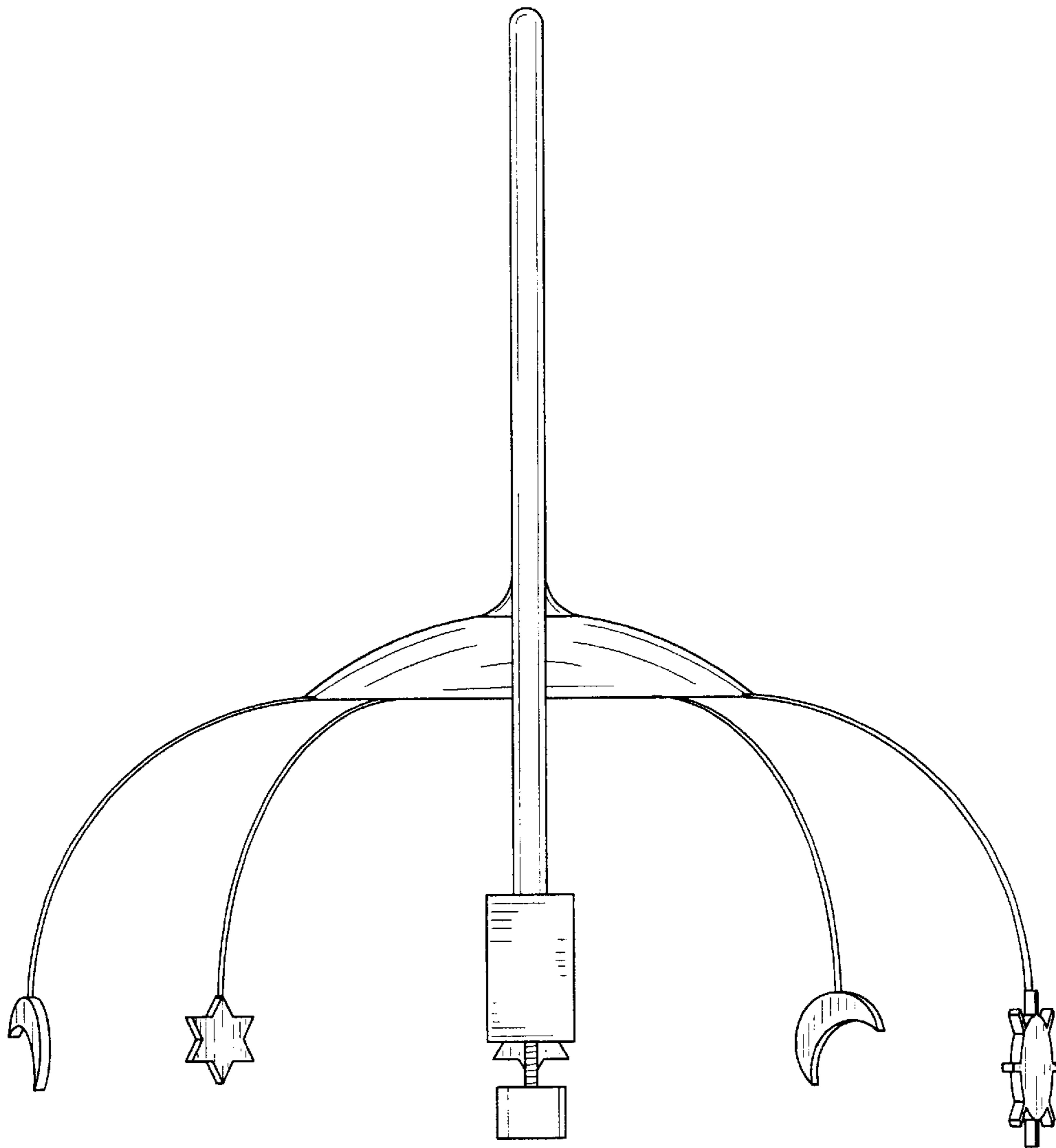


FIG. 2

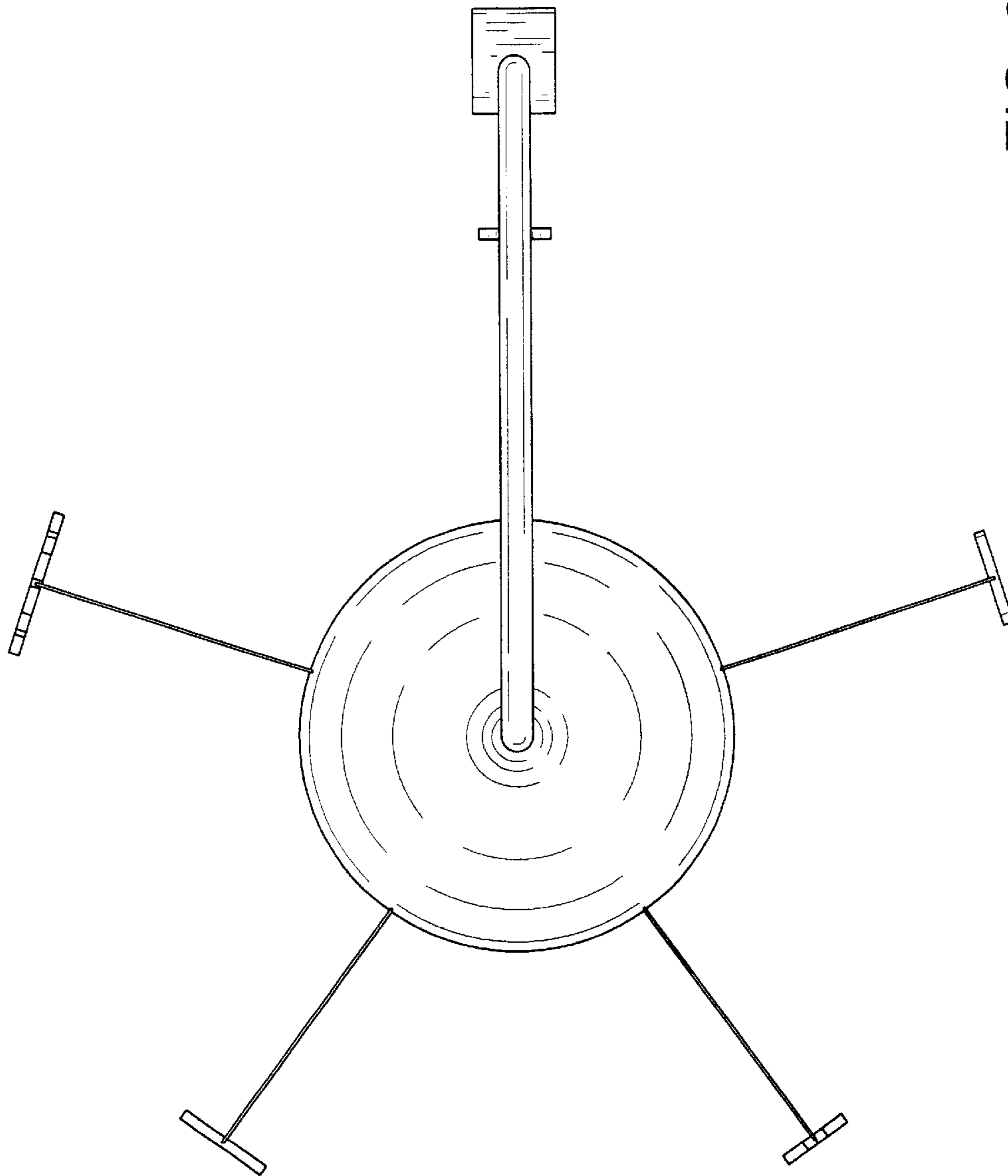


FIG. 3

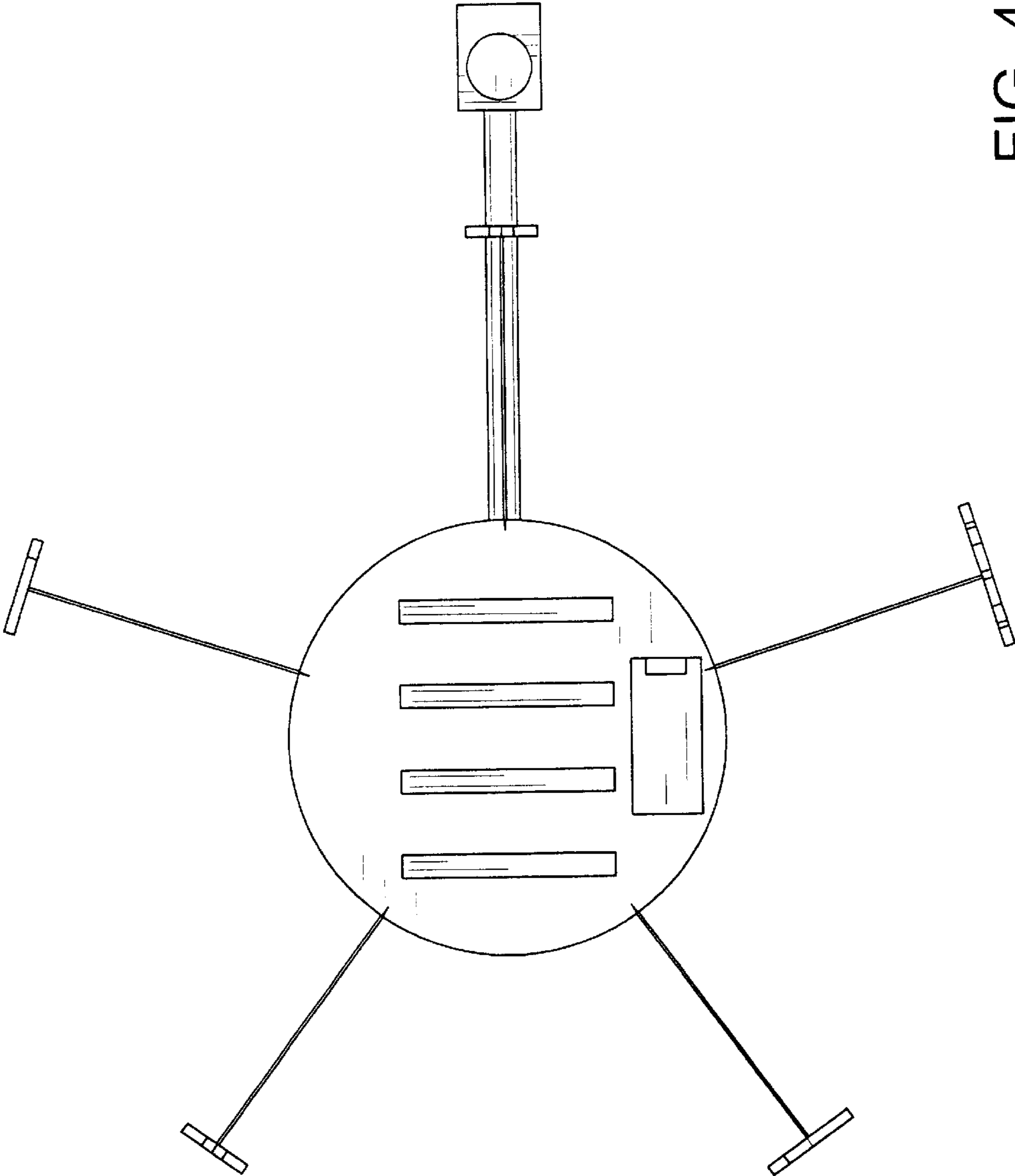


FIG. 4

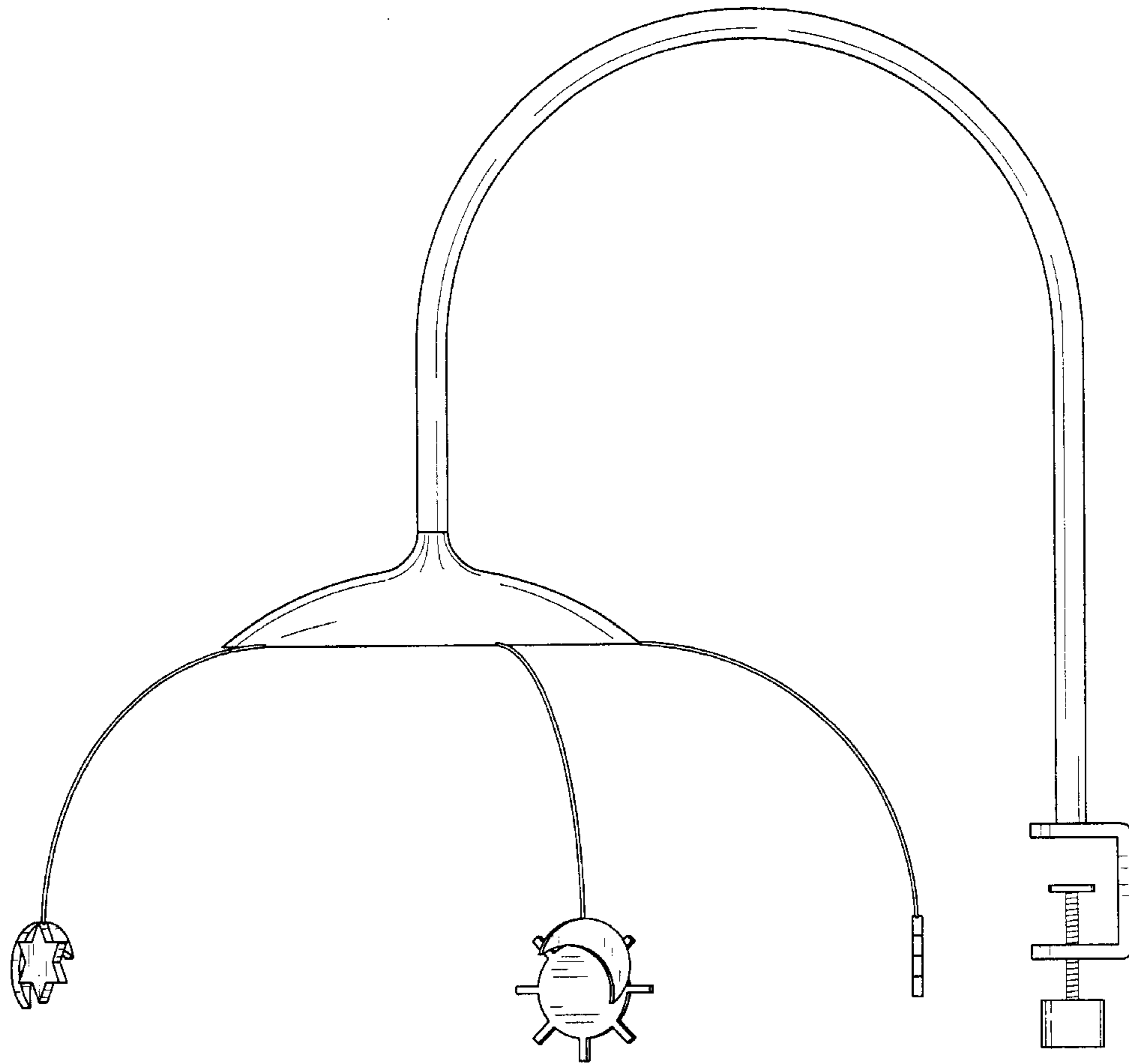
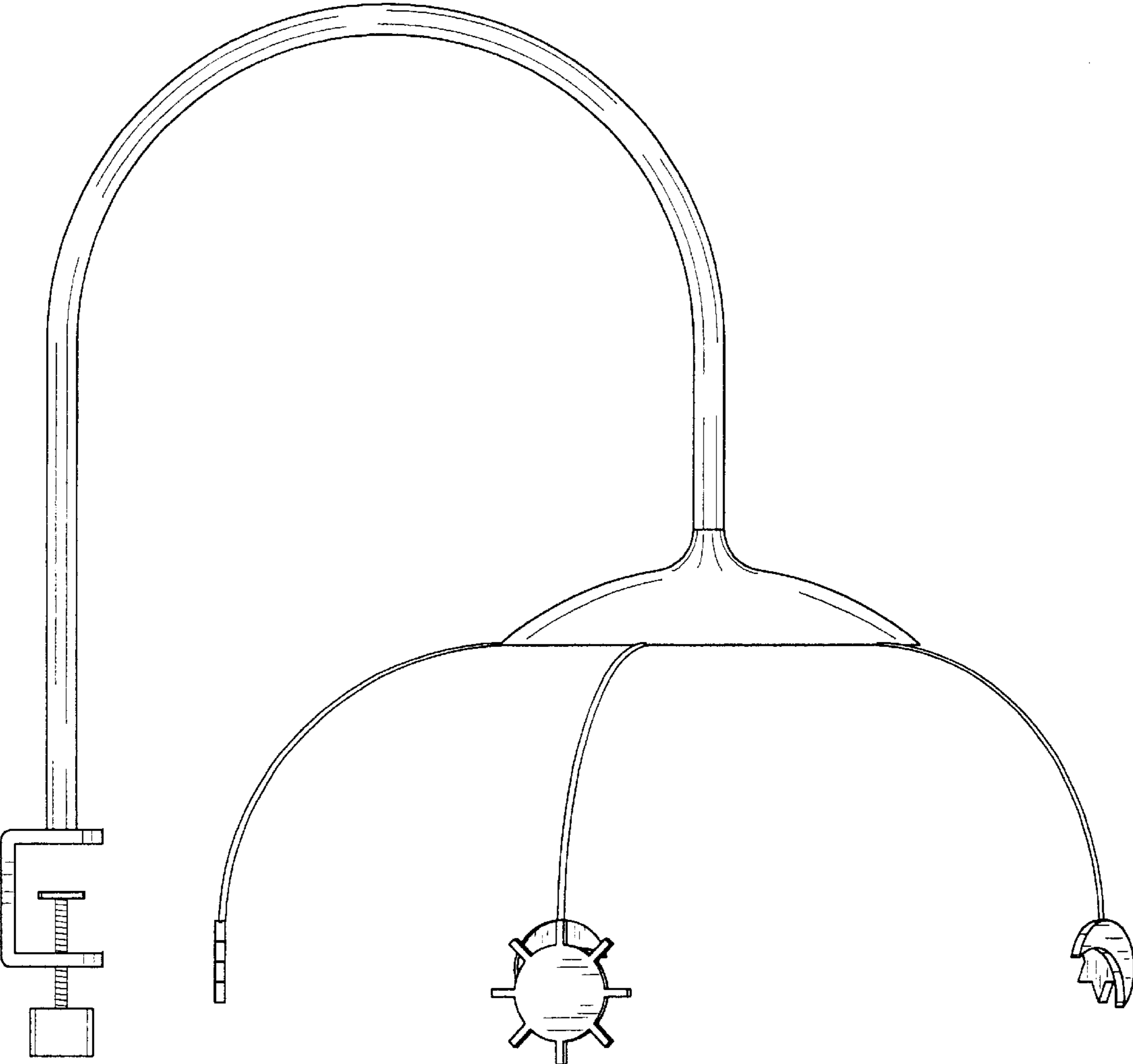


FIG. 5

FIG. 6



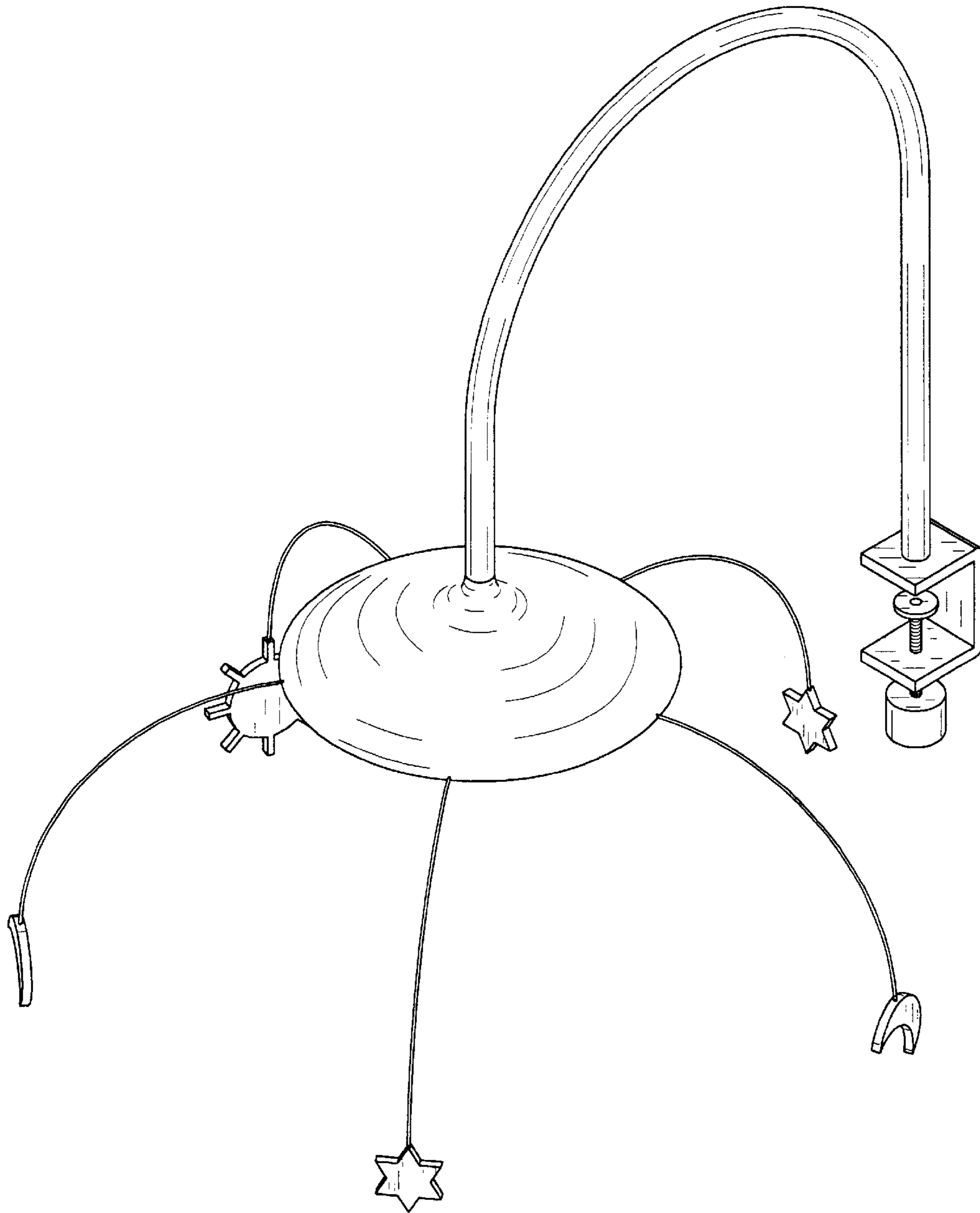


FIG. 7