



US00D528167S

(12) **United States Design Patent**  
**Tremain**

(10) **Patent No.:** **US D528,167 S**

(45) **Date of Patent:** **\*\* Sep. 12, 2006**

(54) **GAME PIECE ADAPTER**

(76) **Inventor:** **Joseph Tremain**, 2342 Indian Springs Dr., Jacksonville, FL (US) 32246

(\*\*) **Term:** **14 Years**

(21) **Appl. No.:** **29/212,531**

(22) **Filed:** **Sep. 2, 2004**

(51) **LOC (8) Cl.** ..... **21-01**

(52) **U.S. Cl.** ..... **D21/386; D21/390**

(58) **Field of Classification Search** ..... D11/95;  
D21/334-368, 385-390, 396; 273/236-291,  
273/148 R; 463/25; 40/27.5

See application file for complete search history.

(56) **References Cited**

**U.S. PATENT DOCUMENTS**

477,248	A	*	6/1892	Davidson	.....	273/289
714,930	A	*	12/1902	Mease	.....	273/290
1,209,998	A	*	12/1916	Pinckert	.....	D11/95
1,526,017	A	*	2/1925	Searle	.....	273/260
2,410,845	A	*	11/1946	Snell et al.	.....	40/27.5
2,444,517	A	*	7/1948	Levy	.....	273/289
3,531,123	A	*	9/1970	Peebles	.....	273/282.1

D234,211	S	*	1/1975	Stubbmann	.....	D21/390
D263,429	S		3/1982	Larrieu		
5,018,744	A	*	5/1991	Patracuolia	.....	273/248
D384,113	S		9/1997	Subers		
D397,375	S		8/1998	Fletcher		
D412,538	S		8/1999	Reidinger		
D448,812	S		10/2001	Vong		
2002/0180150	A1		12/2002	Weisman		
2003/0071414	A1		4/2003	Weisman		
2003/0141662	A1		7/2003	Kost		

\* cited by examiner

*Primary Examiner*—Sandra L. Morris

(74) *Attorney, Agent, or Firm*—Lawrence J. Gibney, Jr.

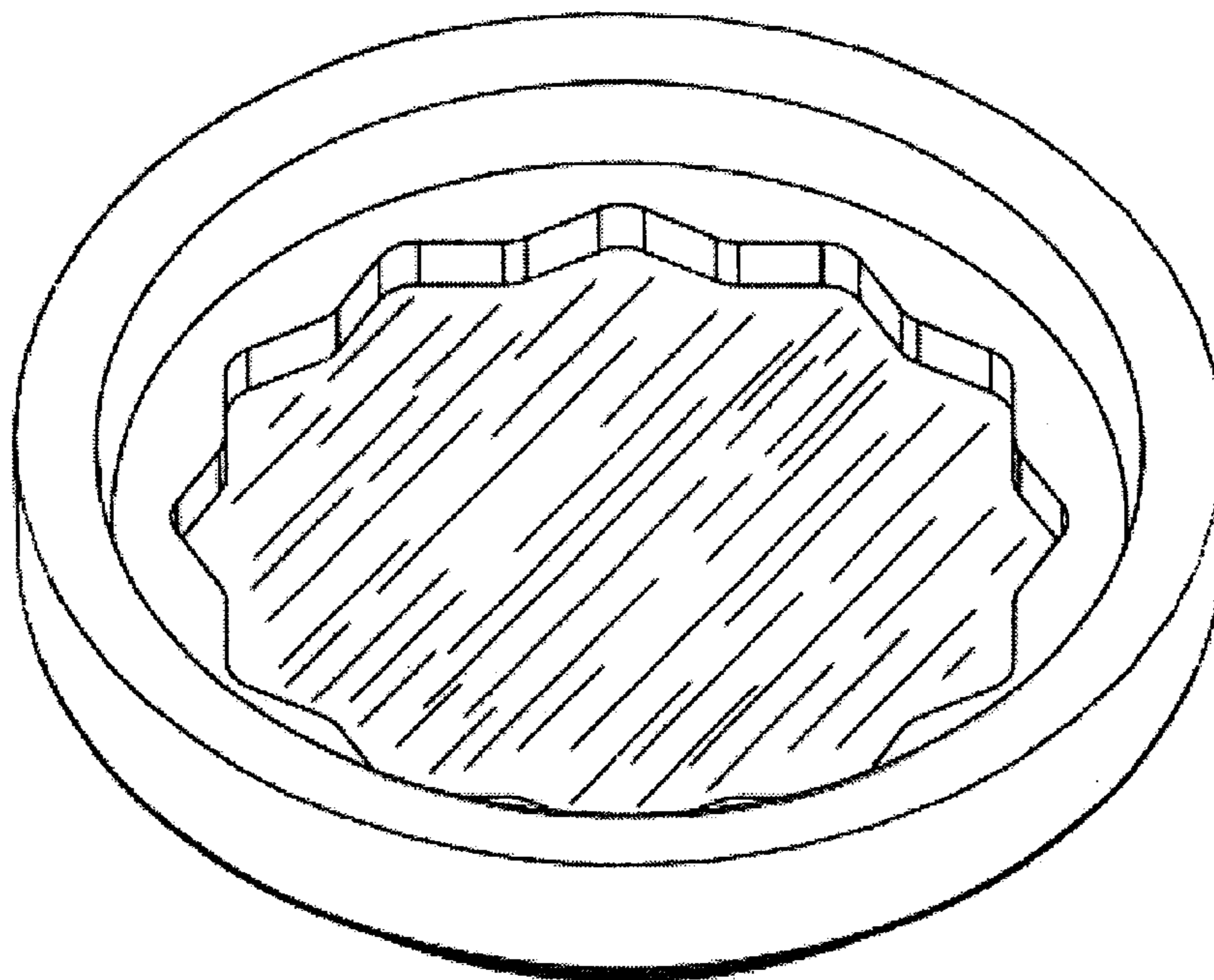
(57) **CLAIM**

The ornamental design for a game piece adapter, as shown and described.

**DESCRIPTION**

FIG. 1 is a top view of the device.  
FIG. 2 is a side view of the device.  
FIG. 3 is a perspective view of the device; and,  
FIG. 4 is a bottom view of the device.

**1 Claim, 4 Drawing Sheets**



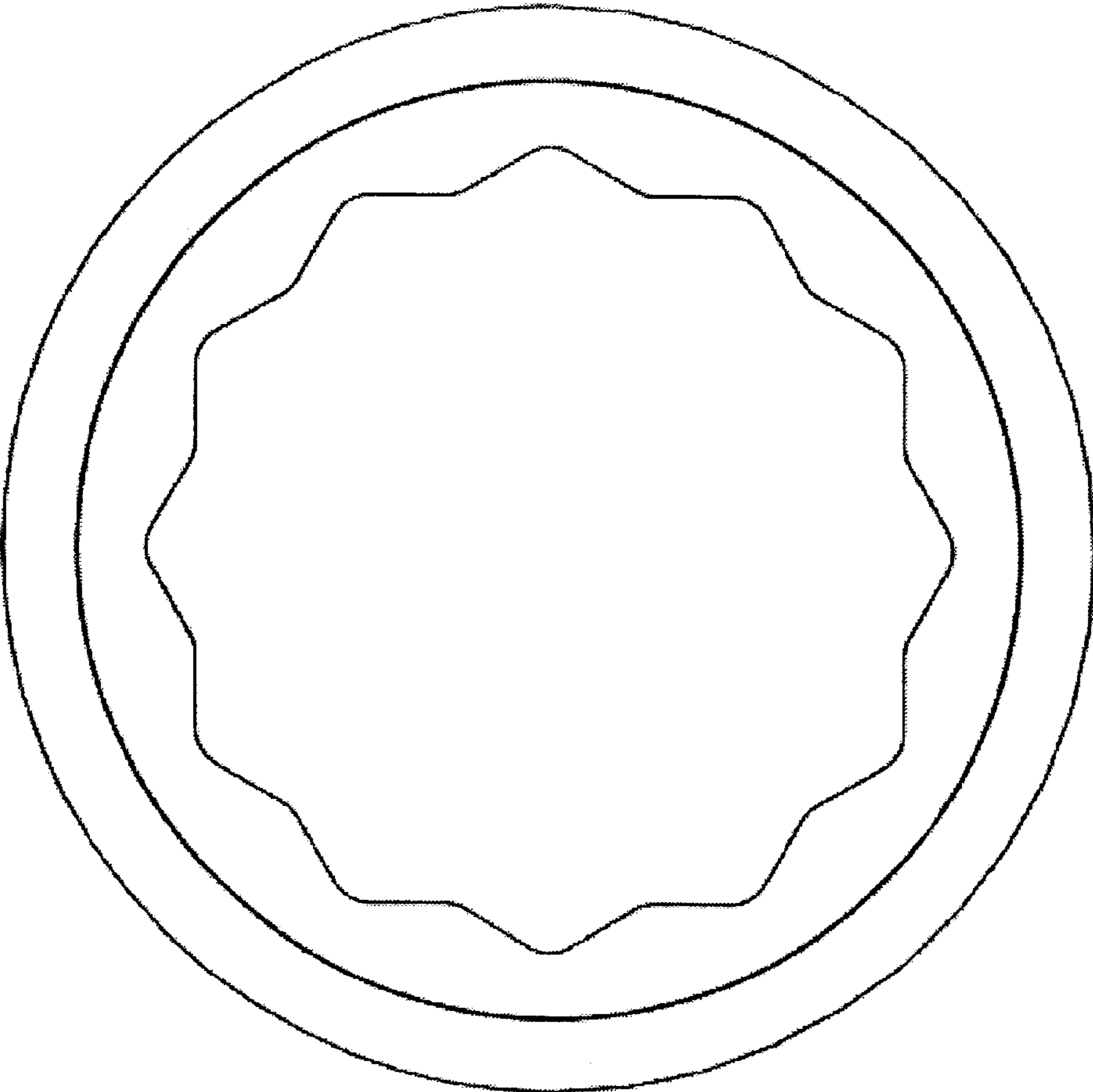


Figure 1

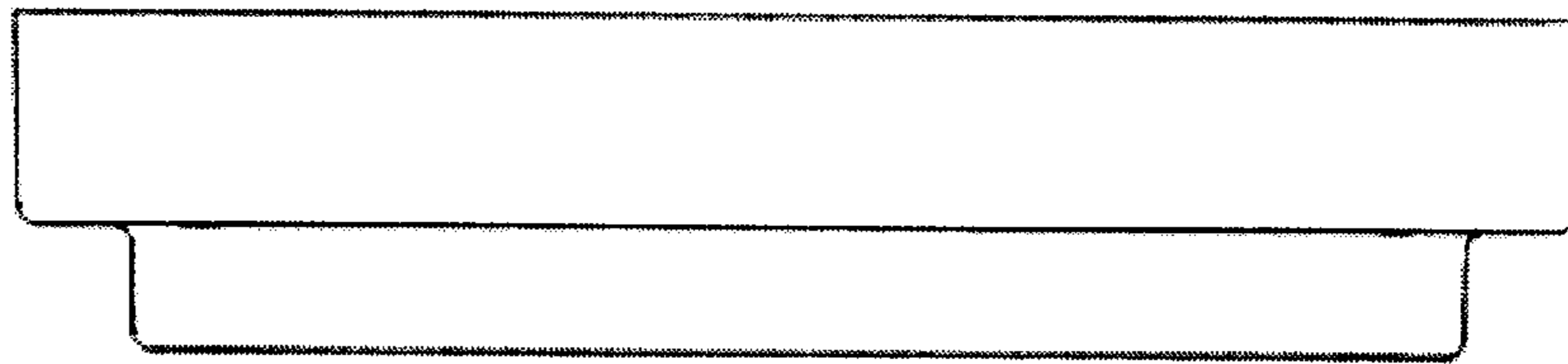


Figure 2

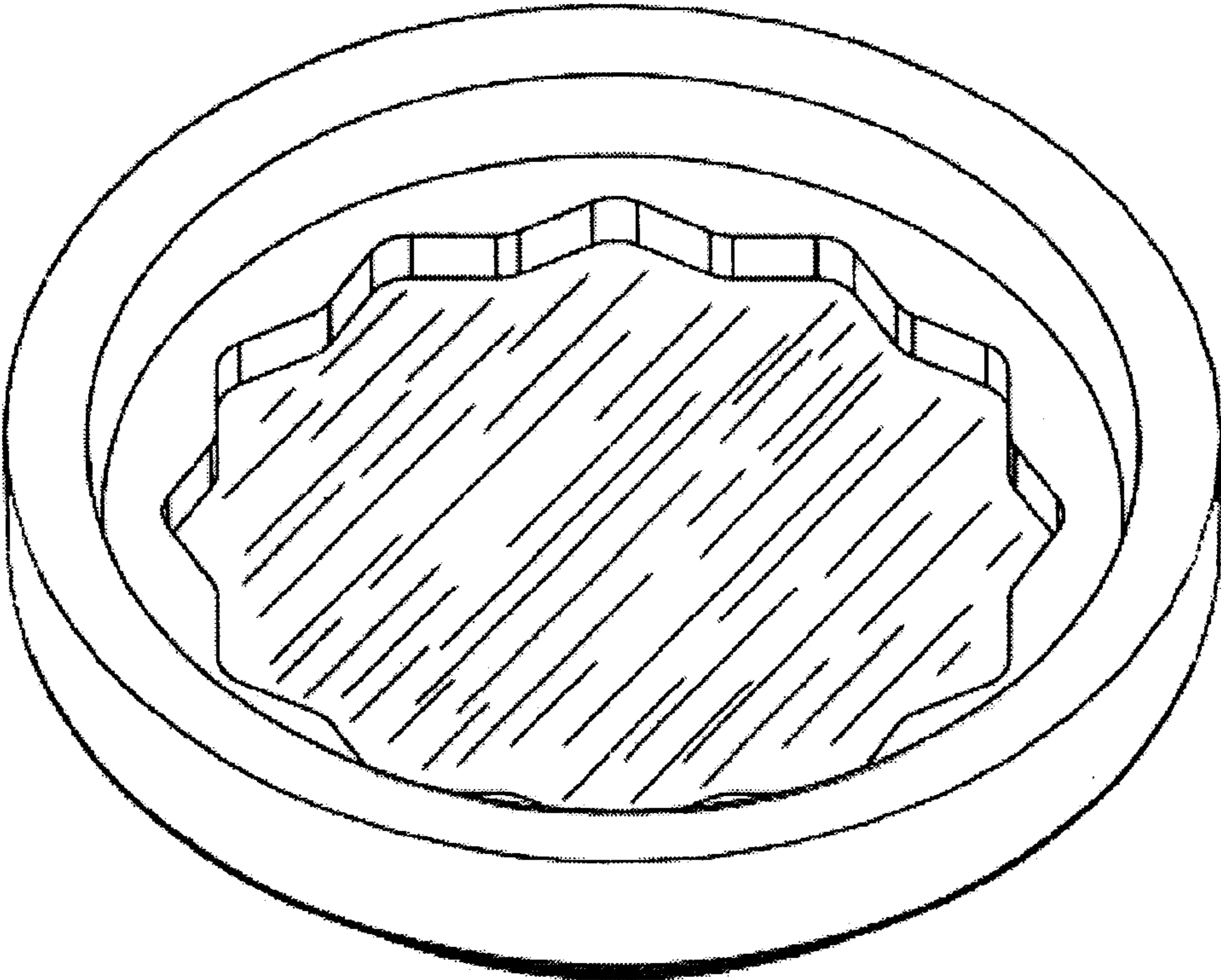


Figure 3

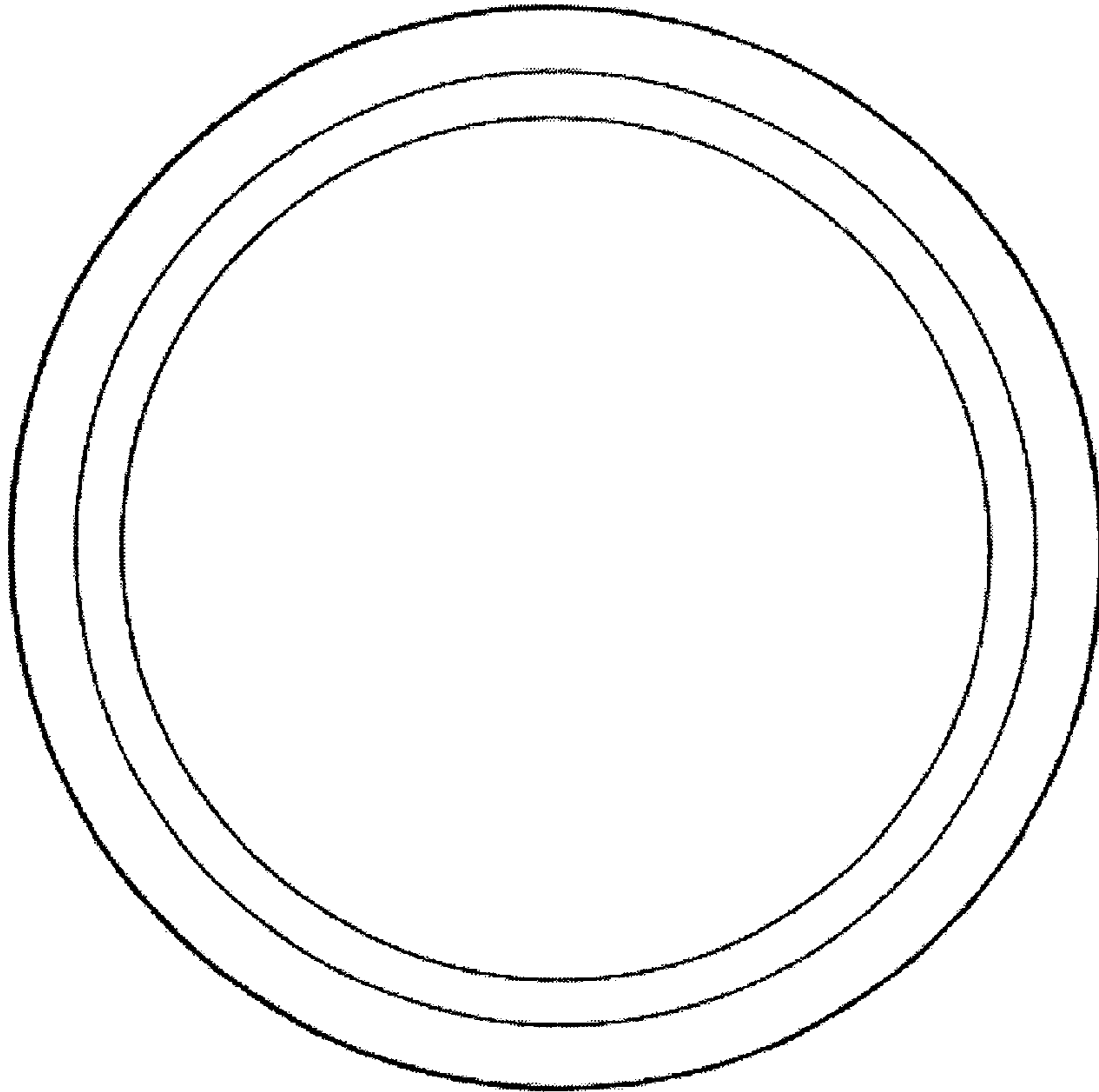


Figure 4