

US00D528166S

(12) **United States Design Patent**  
**Wright**

(10) **Patent No.:** **US D528,166 S**

(45) **Date of Patent:** **\*\* Sep. 12, 2006**

(54) **TAIL FIN FOR A SURFBOARD**

6,254,446 B1 \* 7/2001 Thigpen ..... 441/79

(76) Inventor: **Kenneth W. Wright**, 19 Latigo La.,  
Rolling Hills Estates, CA (US) 90274

FOREIGN PATENT DOCUMENTS

(\*\*) Term: **14 Years**

AU 90921 S \* 9/1985

AU 102718 S \* 1/1989

(21) Appl. No.: **29/234,315**

\* cited by examiner

(22) Filed: **Jul. 18, 2005**

*Primary Examiner*—Caron D. Veynar

*Assistant Examiner*—Zenia I. Bennett

(51) **LOC (8) Cl.** ..... **21-02**

(74) *Attorney, Agent, or Firm*—Morland C. Fischer

(52) **U.S. Cl.** ..... **D21/231**

(57) **CLAIM**

(58) **Field of Classification Search** ..... D21/769,  
D21/770, 801, 803, 804, 806, 807, 810; 114/363;  
D2/731, 732; 441/55, 56, 58, 60, 61–66,  
441/68, 69, 72–75, 79; D12/303, 304, 309  
See application file for complete search history.

The ornamental design for a tail fin for a surfboard, as shown and described.

**DESCRIPTION**

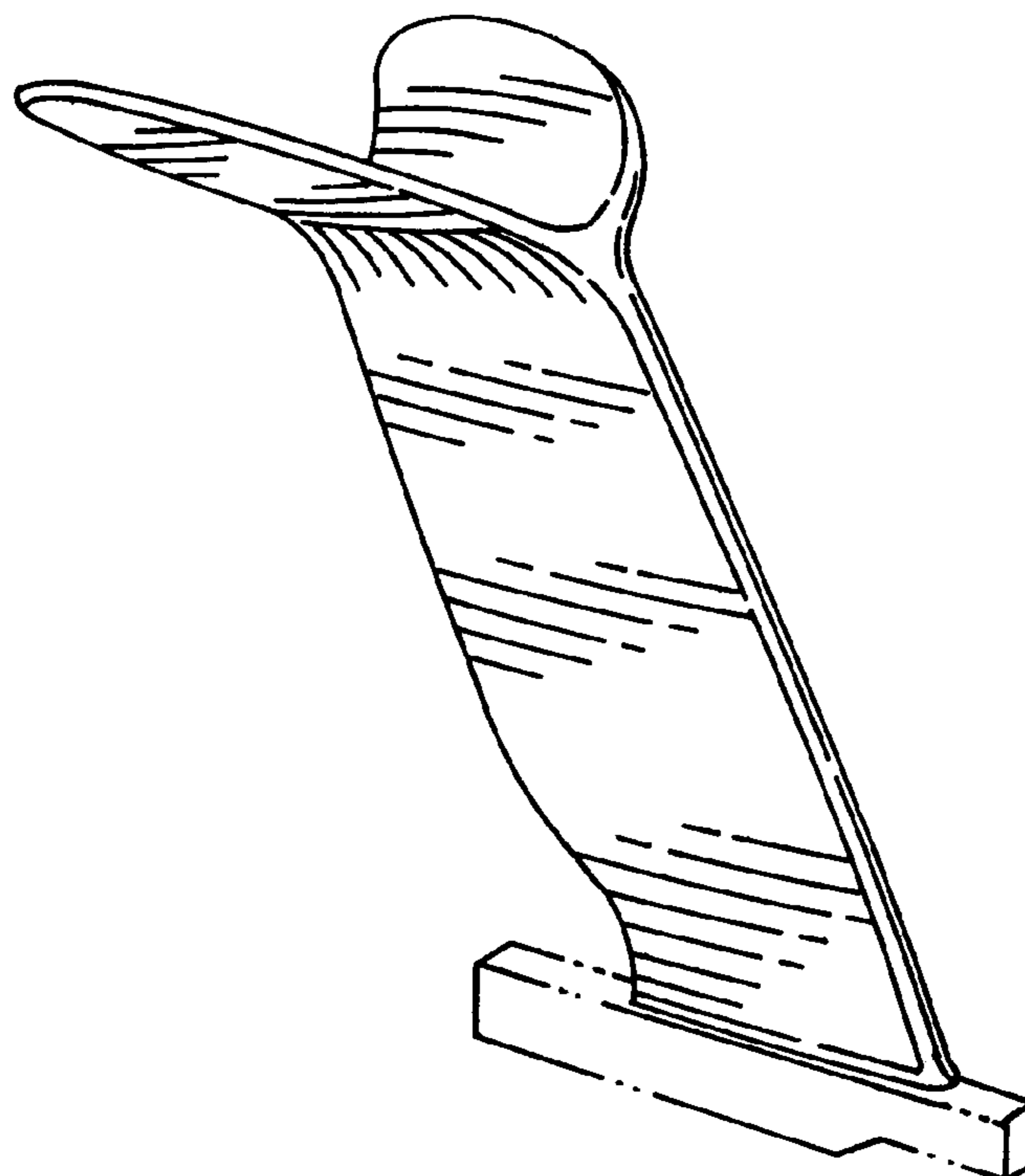
(56) **References Cited**

U.S. PATENT DOCUMENTS

3,201,807	A	*	8/1965	Weaver	.....	441/79
3,456,609	A	*	7/1969	Nott	.....	114/281
3,515,089	A	*	6/1970	Taggart	.....	114/162
D257,786	S	*	1/1981	Vann	.....	D21/778
4,352,335	A	*	10/1982	Sugden	.....	114/143
D267,666	S	*	1/1983	Vann	.....	D21/778
D273,127	S	*	3/1984	Meister	.....	D21/810
D291,715	S	*	9/1987	Alpine	.....	D21/778
D307,310	S	*	4/1990	Bucknell	.....	D21/778
D337,300	S	*	7/1993	Bielefeldt	.....	D12/303
D369,636	S	*	5/1996	Reeder	.....	D21/803

FIG. 1 is a perspective view showing the top, front and left side of a tail fin for a surfboard which forms my new design; FIG. 2 is an enlarged perspective view showing the top, front and left side of the tail fin for a surfboard shown in FIG. 1. FIG. 3 is a front elevational view thereof; FIG. 4 is a rear elevational view thereof; FIG. 5 is a left side elevational view thereof; FIG. 6 is a top plan view; FIG. 7 is a right side elevational view thereof; and, FIG. 8 is a bottom plan view thereof. The broken lines in the drawing are for illustrative purposes only and form no part of the claimed design.

**1 Claim, 4 Drawing Sheets**



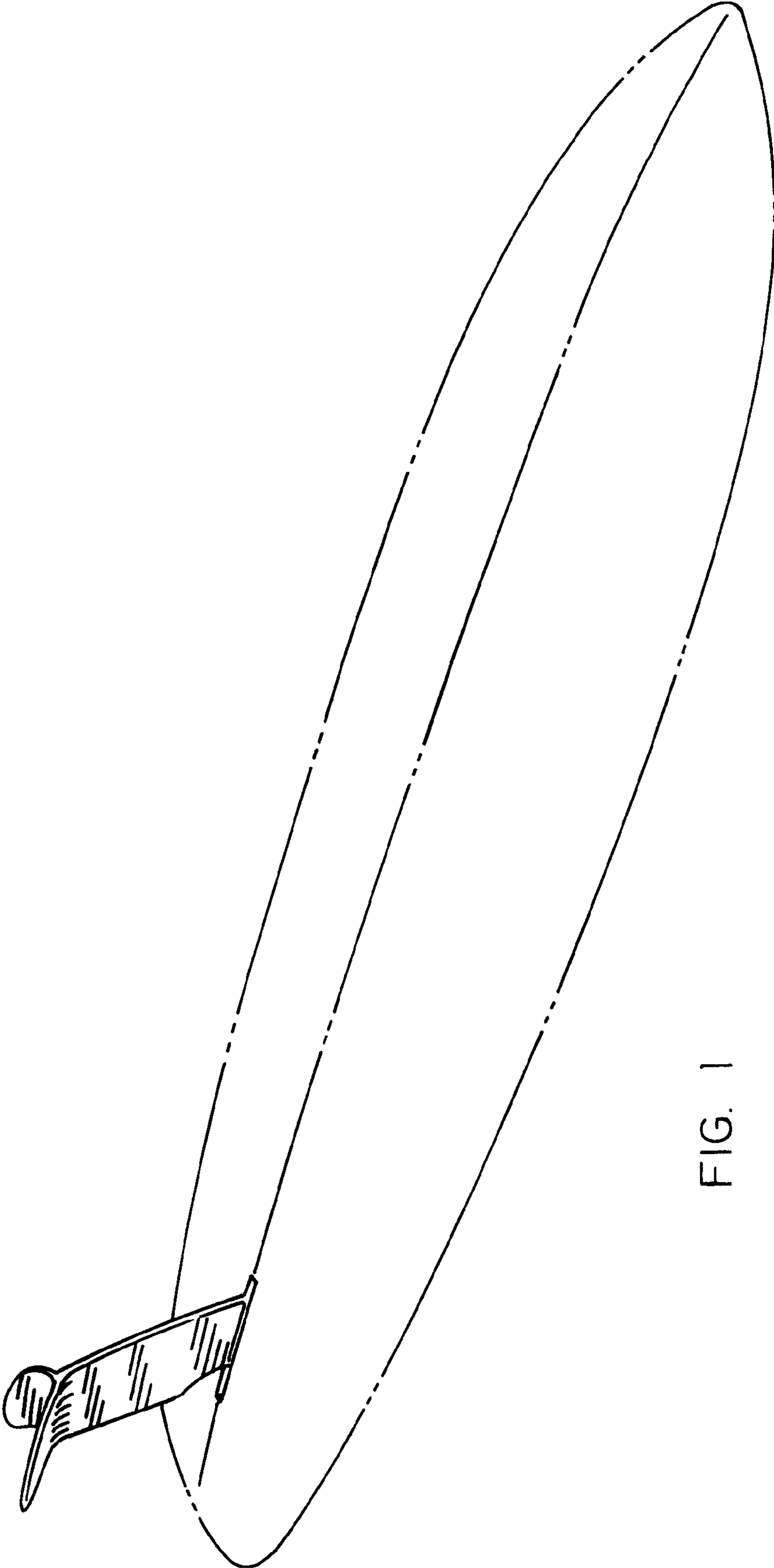


FIG. 1

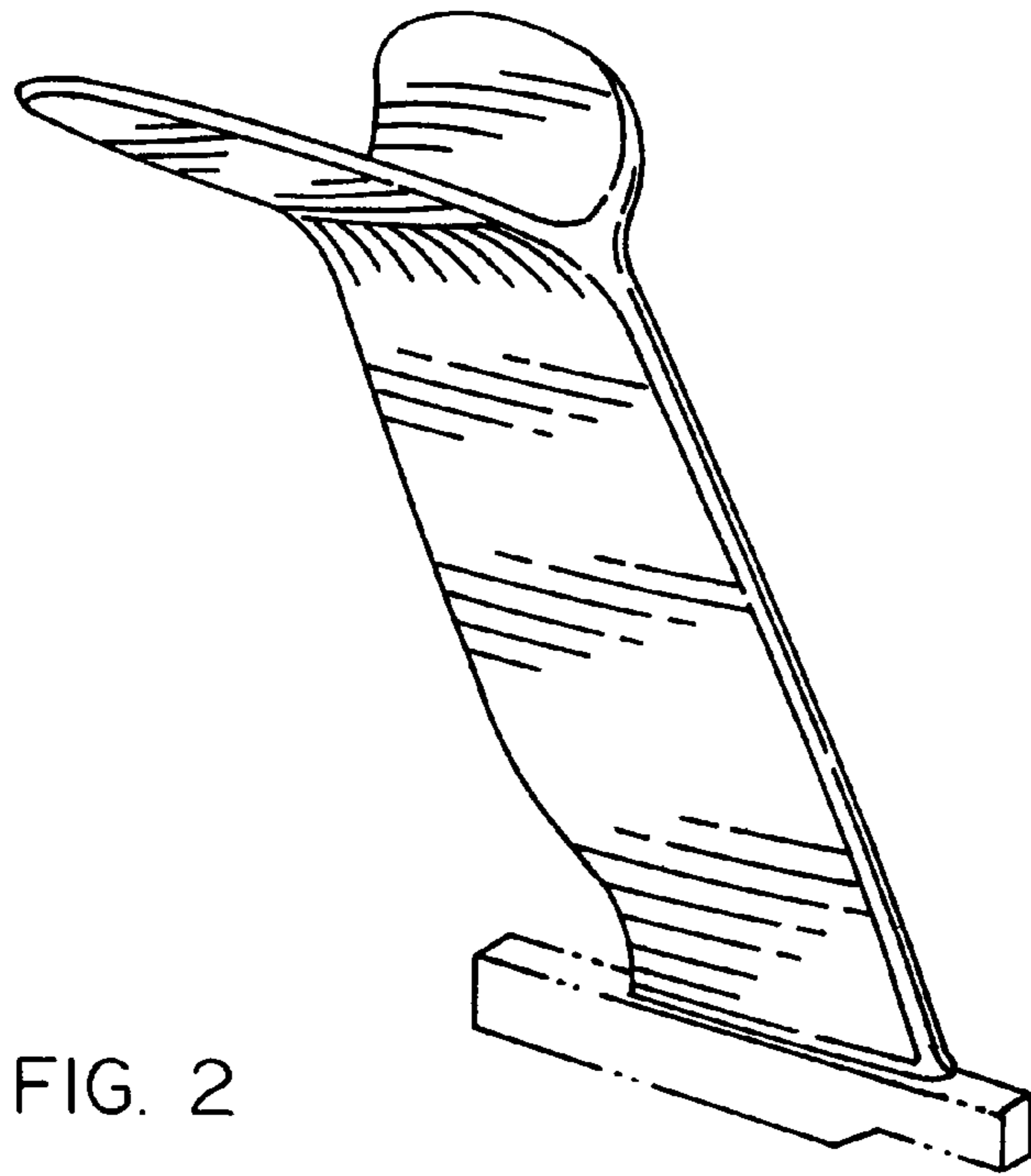


FIG. 2

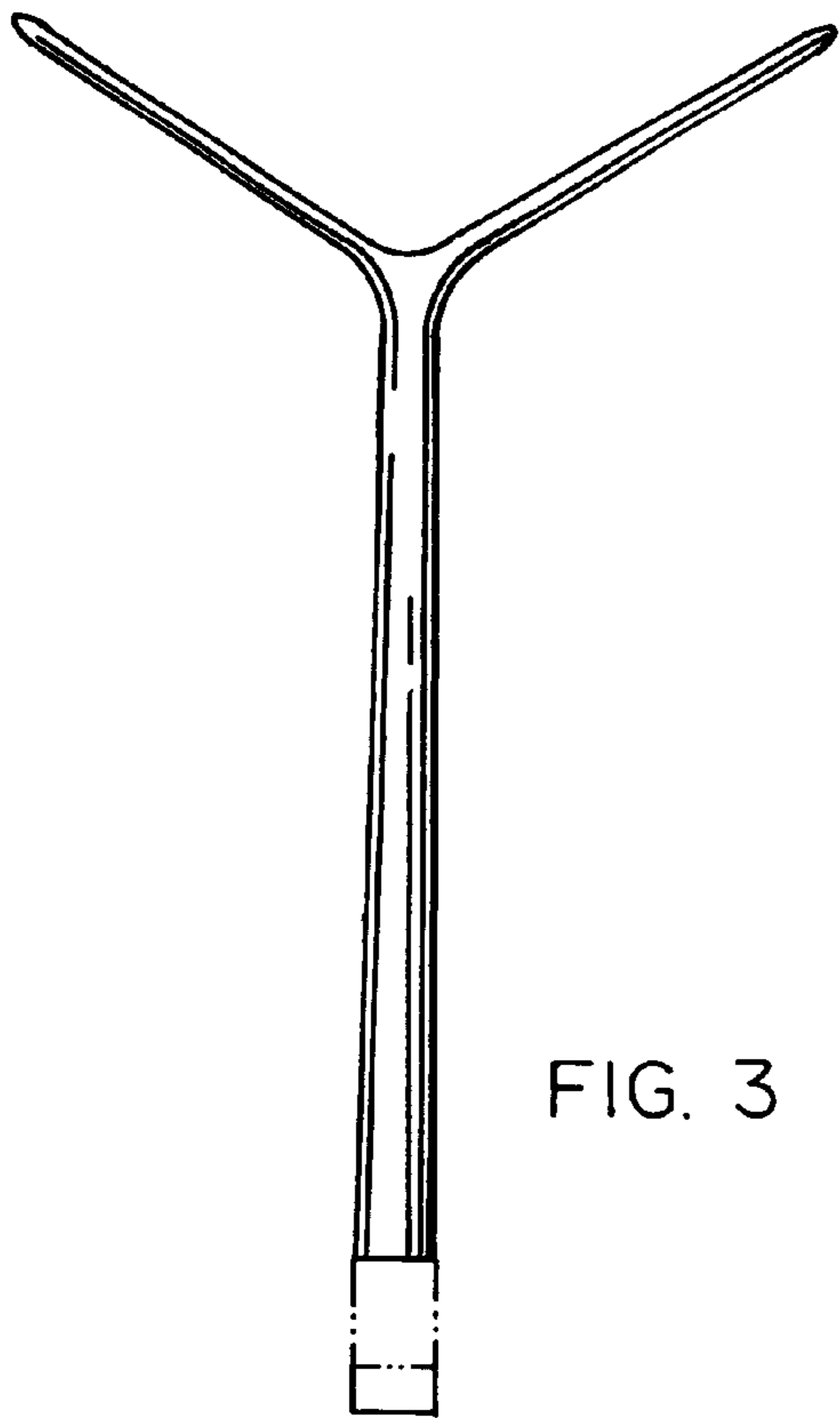


FIG. 3

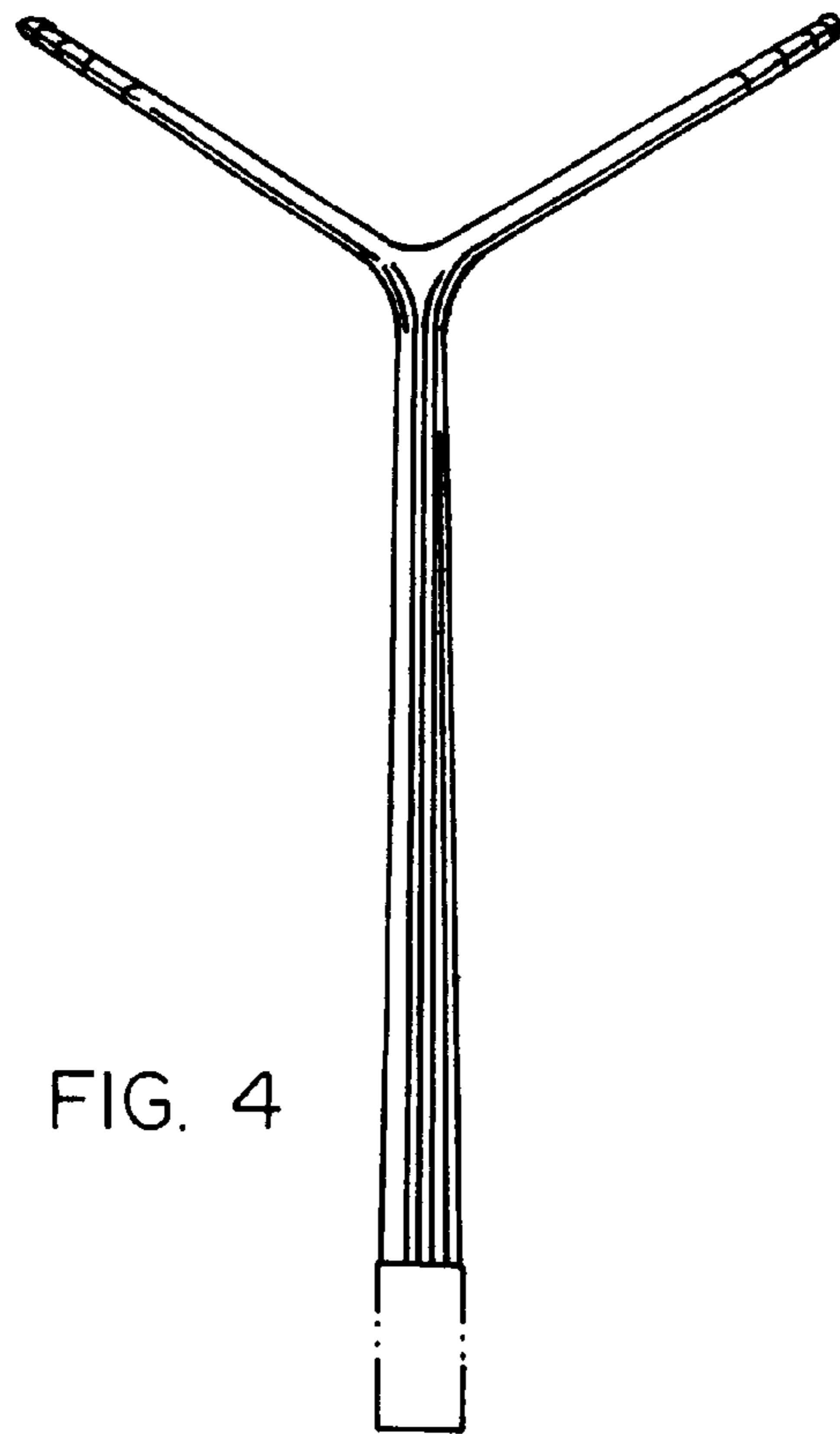


FIG. 4

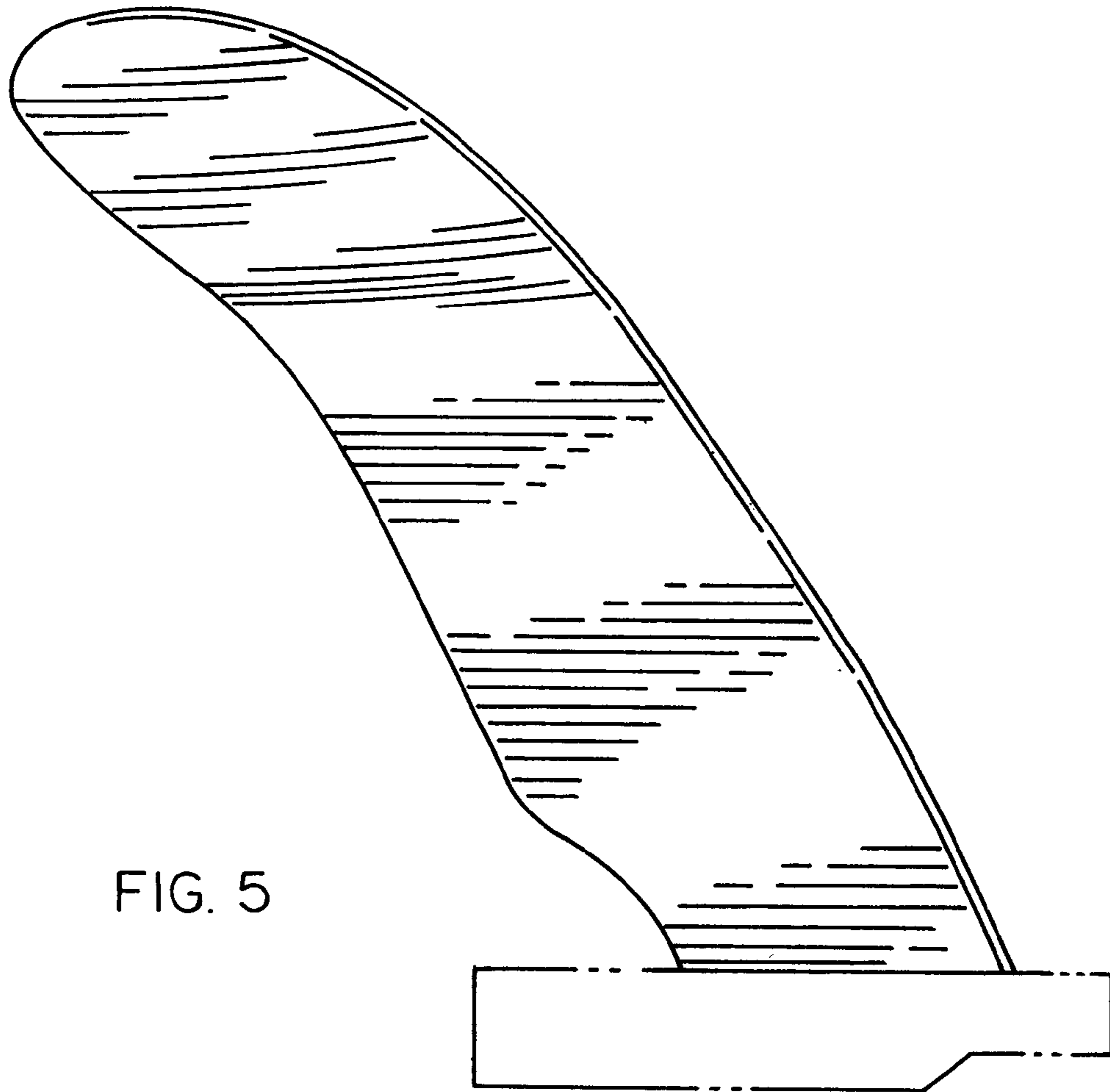


FIG. 5

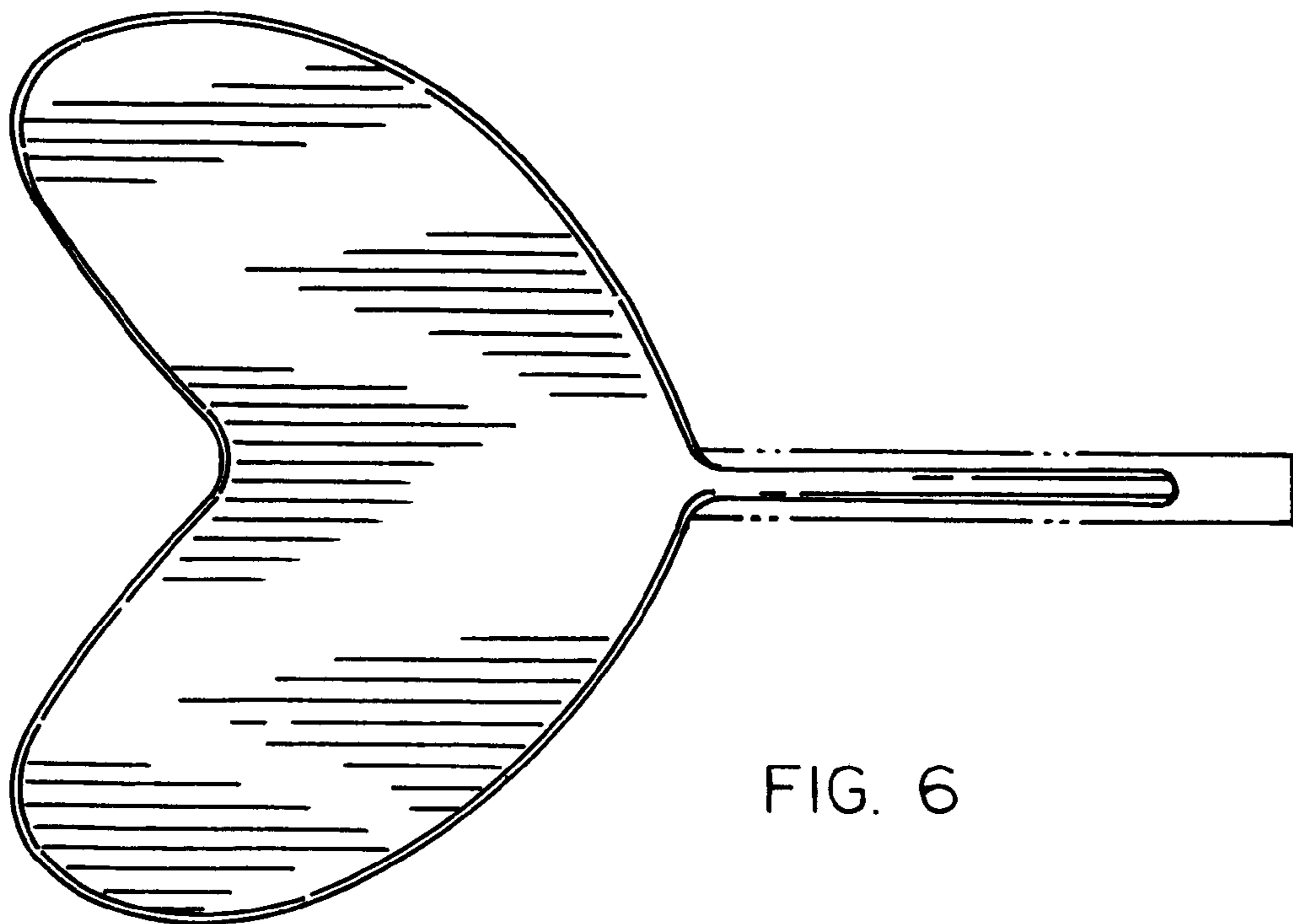


FIG. 6

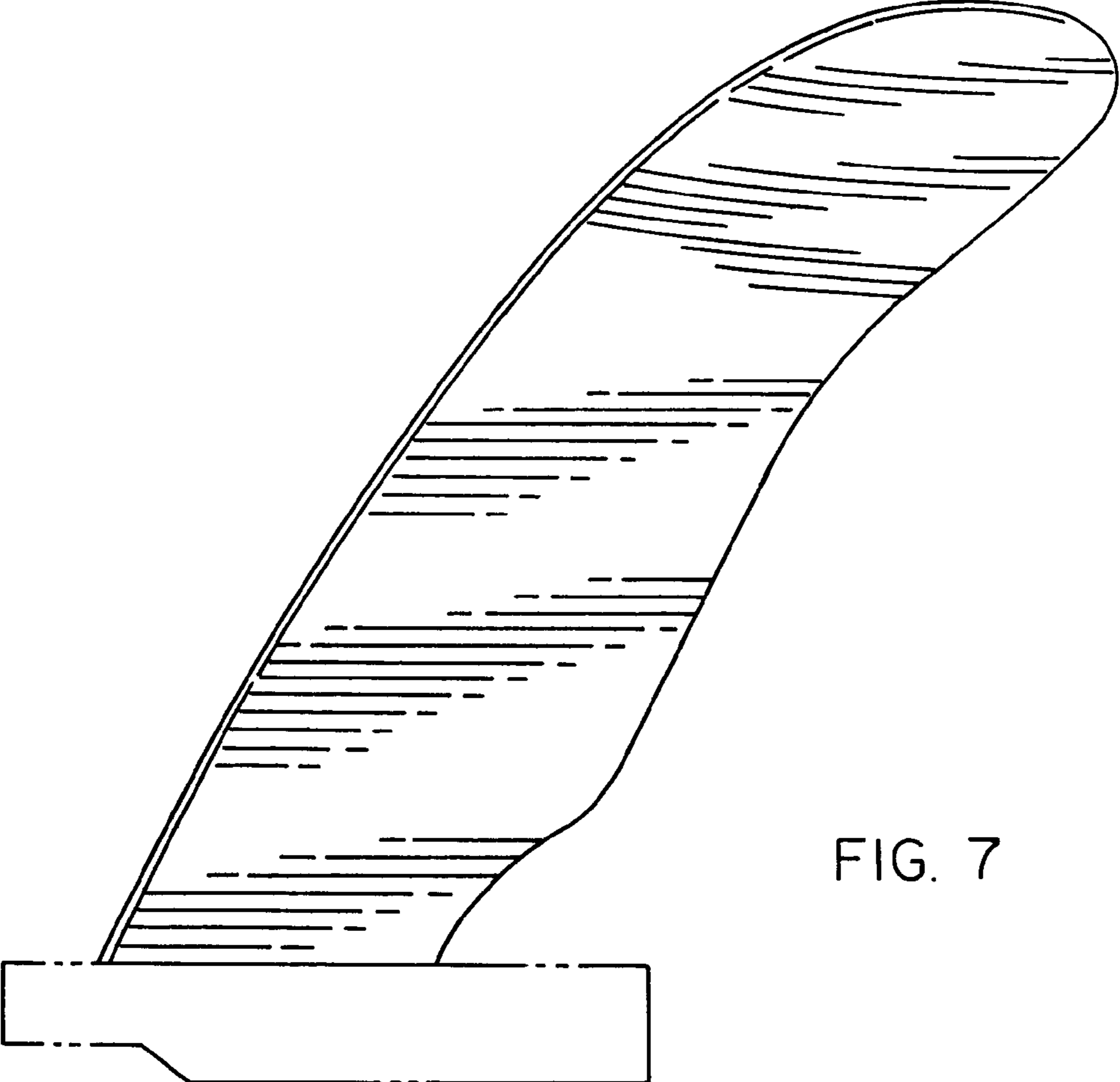


FIG. 7

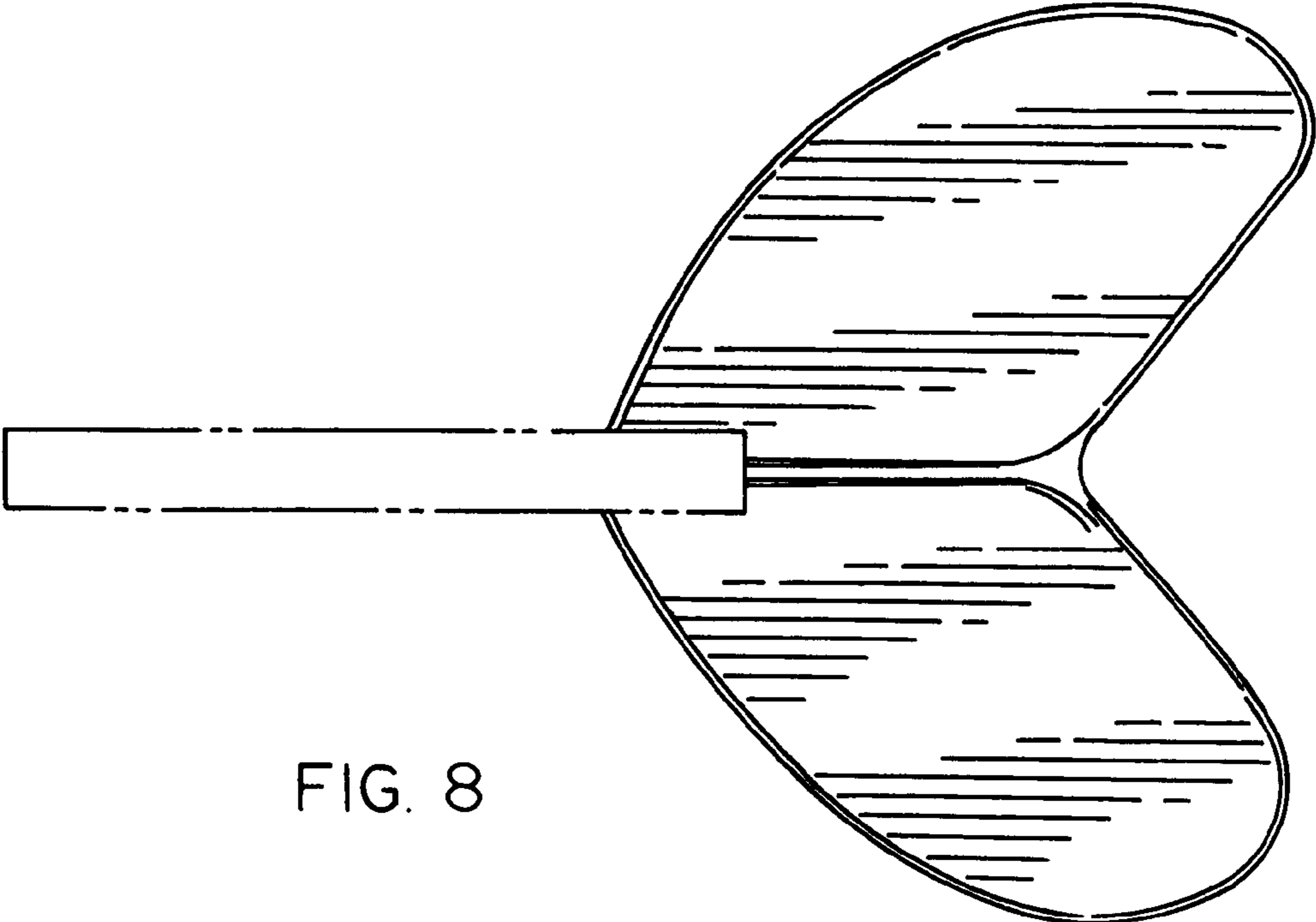


FIG. 8