

US00D528163S

(12) **United States Design Patent**
Mandel

(10) **Patent No.:** **US D528,163 S**

(45) **Date of Patent:** **** Sep. 12, 2006**

(54) **UNIVERSAL PEN HOLDER**

(75) Inventor: **Logan Flash Mandel**, Los Angeles, CA (US)

(73) Assignee: **GMPC, LLC**, Santa Monica, CA (US)

(**) Term: **14 Years**

(21) Appl. No.: **29/220,689**

(22) Filed: **Jan. 5, 2005**

(51) **LOC (8) Cl.** **19-06**

(52) **U.S. Cl.** **D19/84; D3/208; D11/79**

(58) **Field of Classification Search** D3/208;
D11/7, 79; D19/36, 65, 75, 77, 81, 83, 84,
D19/85, 95; 24/10 R, 11 CT, 60, 3.1; 206/214,
206/224, 371; 211/10, 11, 69.1, 69.2, 69.5,
211/69.6, 69.8; 224/600, 605; 401/88, 131
See application file for complete search history.

(56) **References Cited**

U.S. PATENT DOCUMENTS

D211,429 S	*	6/1968	Fleming	D19/73
5,259,095 A	*	11/1993	Tam	24/10 R
D352,959 S	*	11/1994	Wolff	D19/36
D396,059 S	*	7/1998	Plantz et al.	D19/55
D448,410 S	*	9/2001	Leins	D19/65
6,435,749 B1	*	8/2002	Lecce	401/131

D500,789 S * 1/2005 Mandel D19/36
2004/0060952 A1 * 4/2004 Perlman et al. 224/269

* cited by examiner

Primary Examiner—Elizabeth A. Albert

(74) *Attorney, Agent, or Firm*—Christie, Parker & Hale, LLP

(57) **CLAIM**

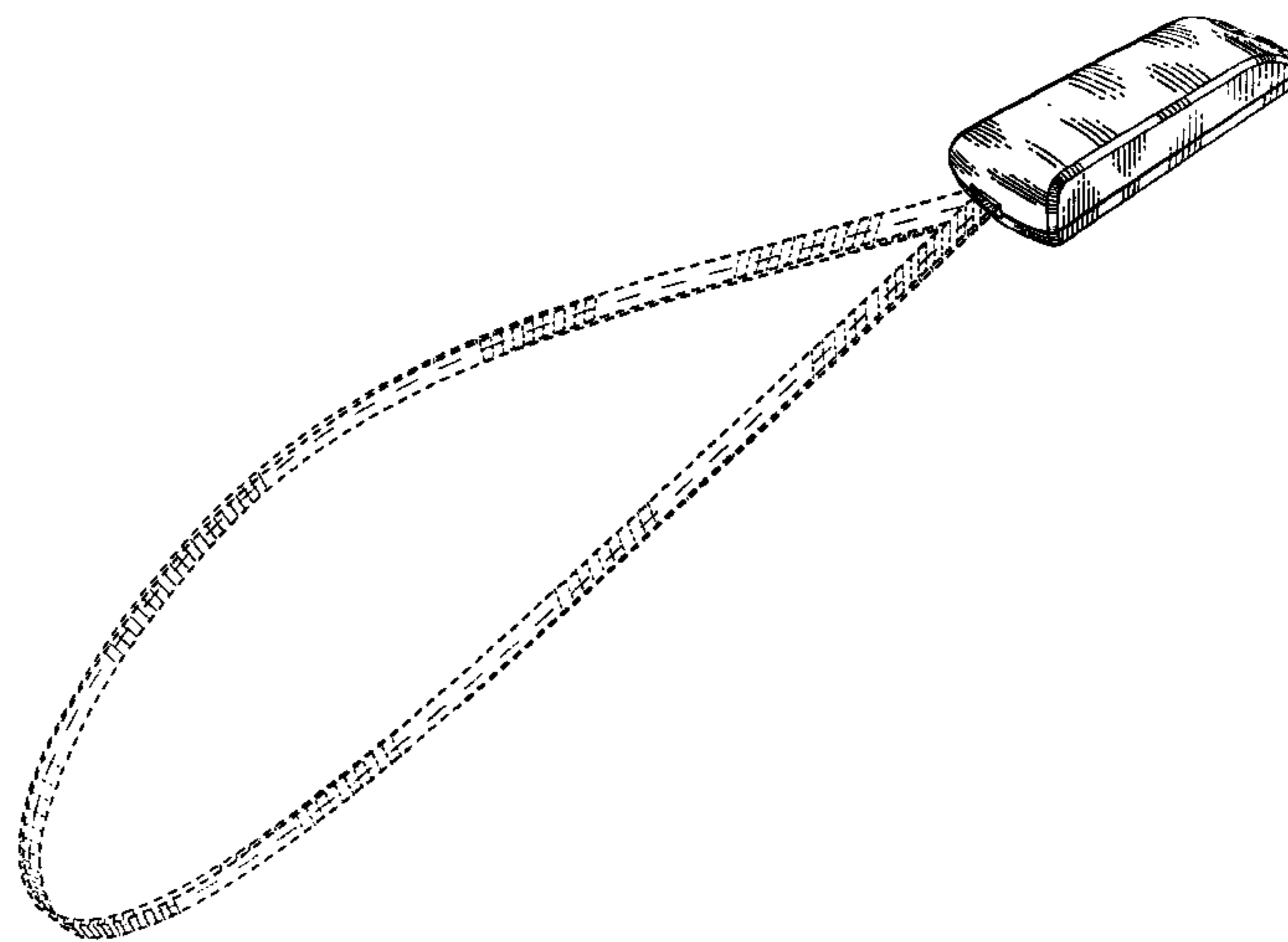
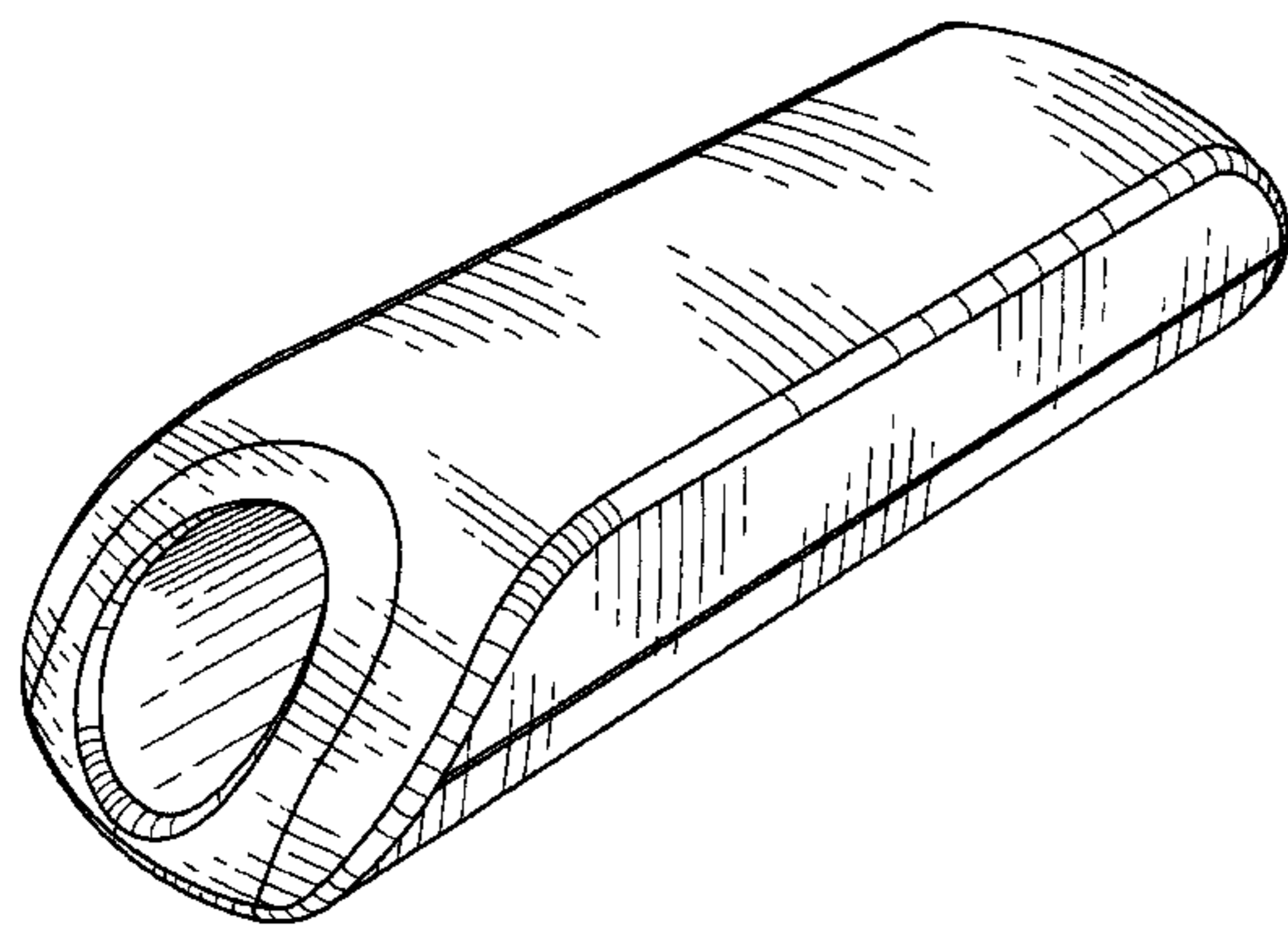
The ornamental design for universal pen holder, as shown and described.

DESCRIPTION

FIG. 1 is a front elevational view of a universal pen holder showing my new design;
FIG. 2 is a rear elevational view thereof;
FIG. 3 is a left side elevational view thereof;
FIG. 4 is a right side elevational view thereof;
FIG. 5 is a top plan view thereof;
FIG. 6 is a bottom plan view thereof;
FIG. 7 is a top front right perspective view thereof;
FIG. 8 is a rear left bottom perspective view thereof; and,
FIG. 9 is a top front right perspective view of the universal pen holder showing a lanyard attached.

The broken lines showing environment in the drawings are for information purposes only and form no part of the claimed design.

1 Claim, 7 Drawing Sheets



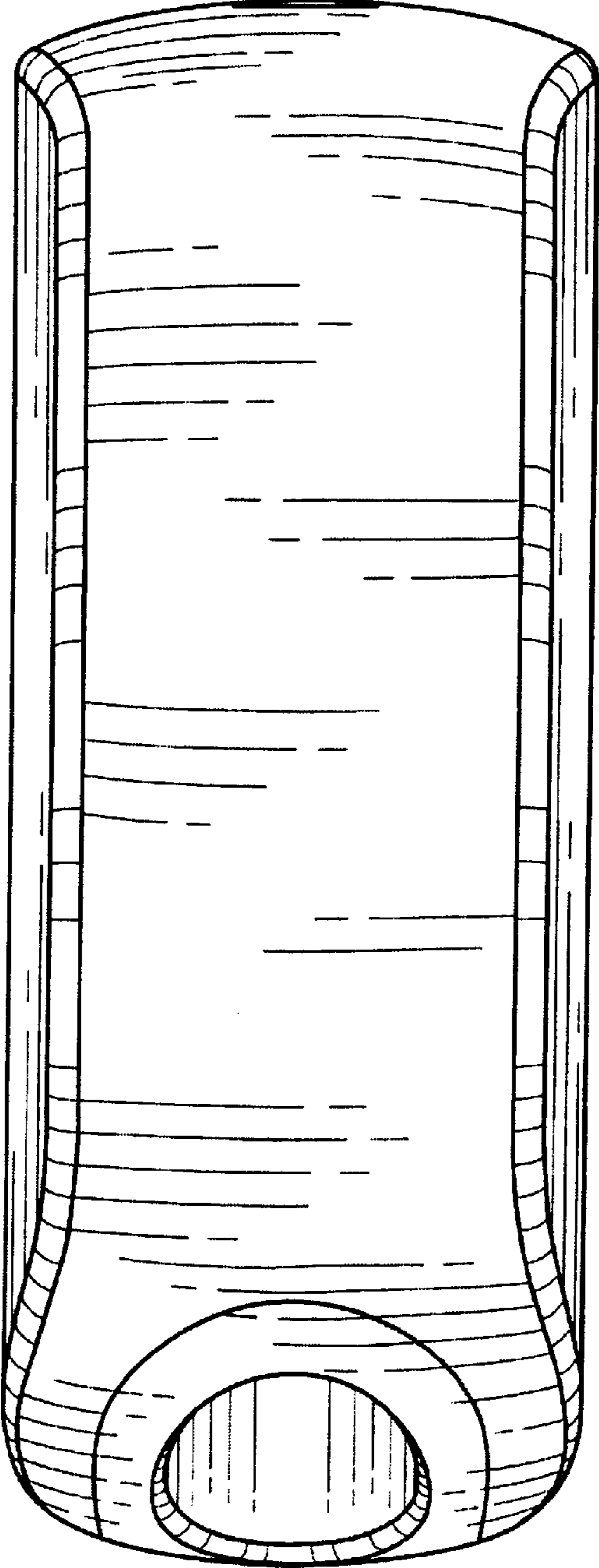


FIG-1

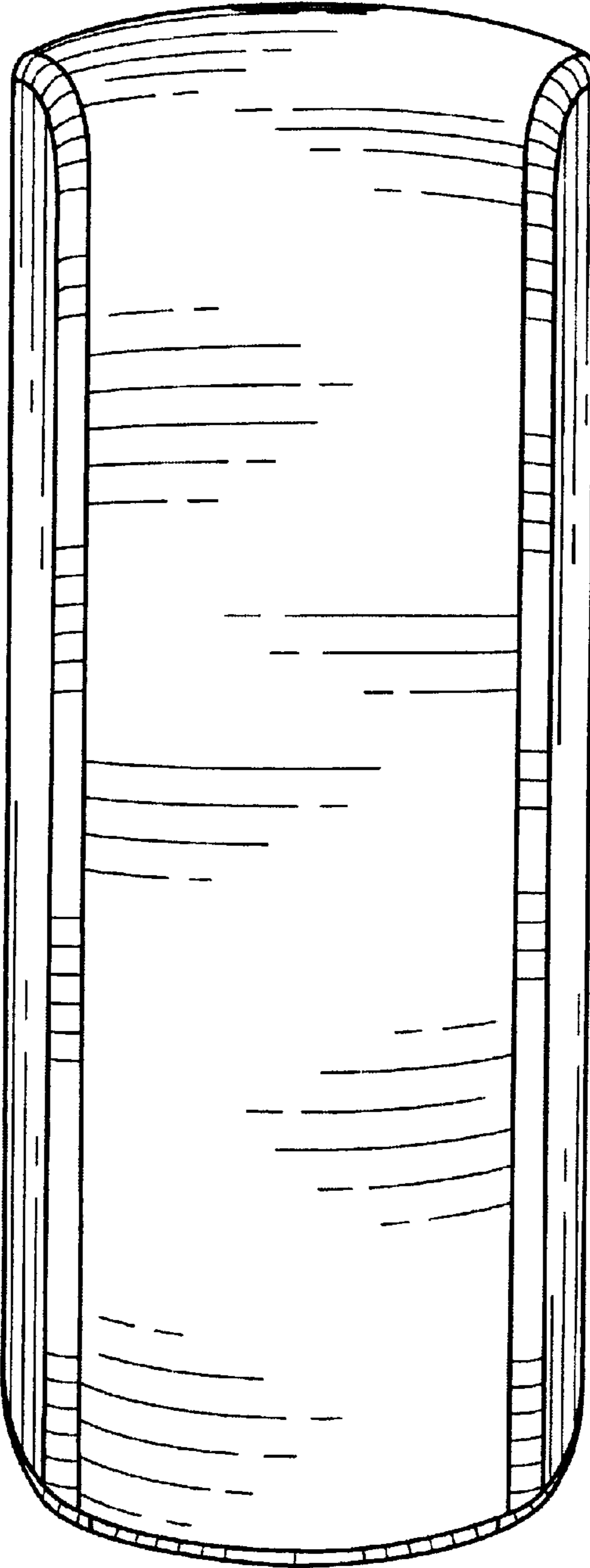


FIG-2

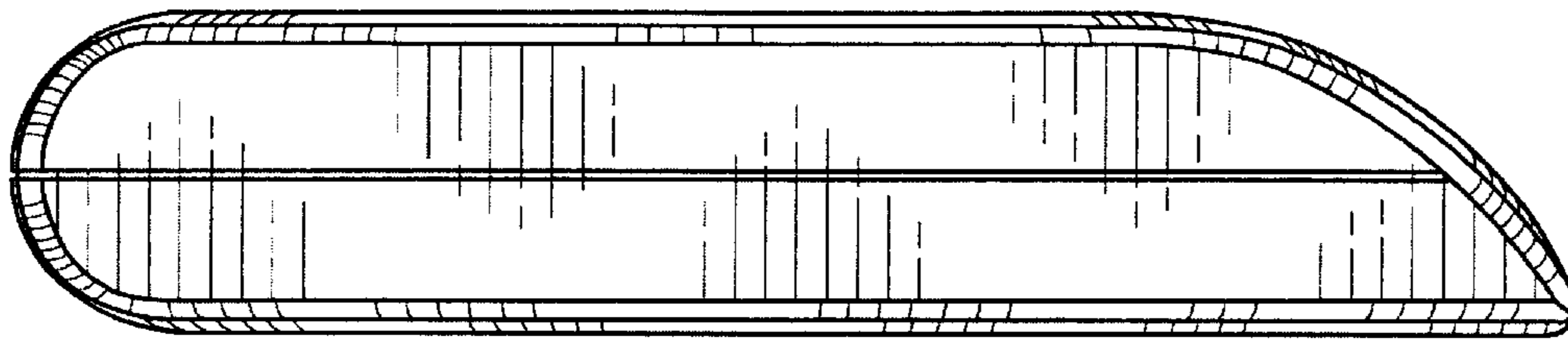


FIG-3

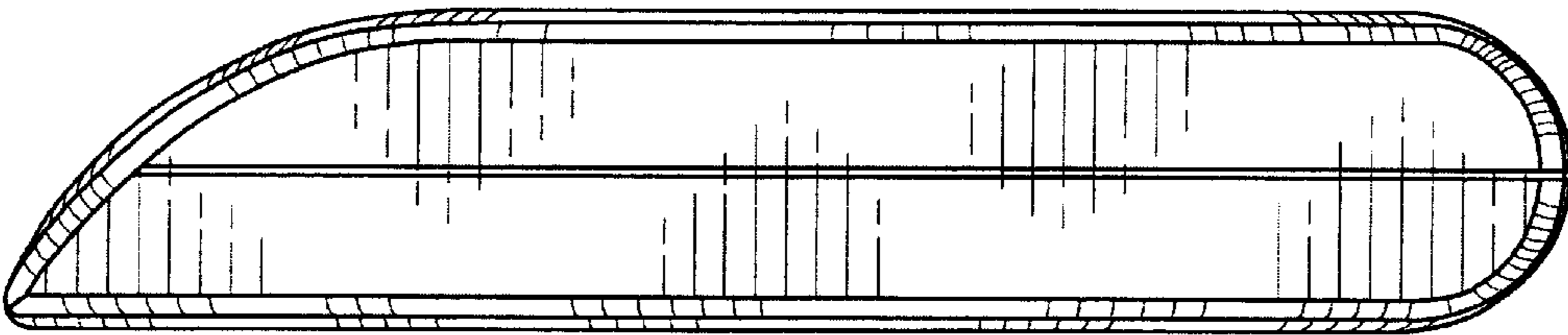


FIG-4

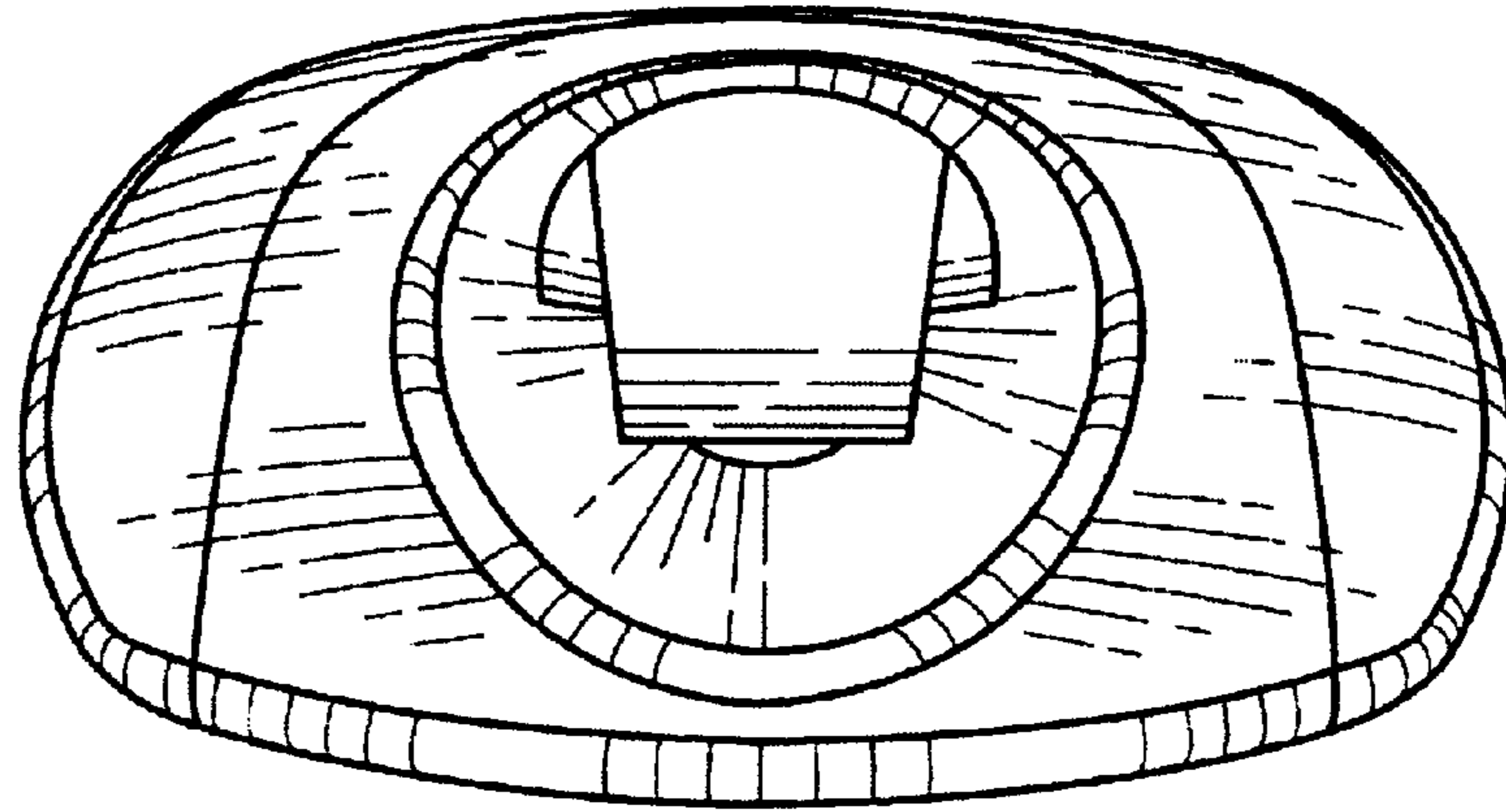


FIG-5

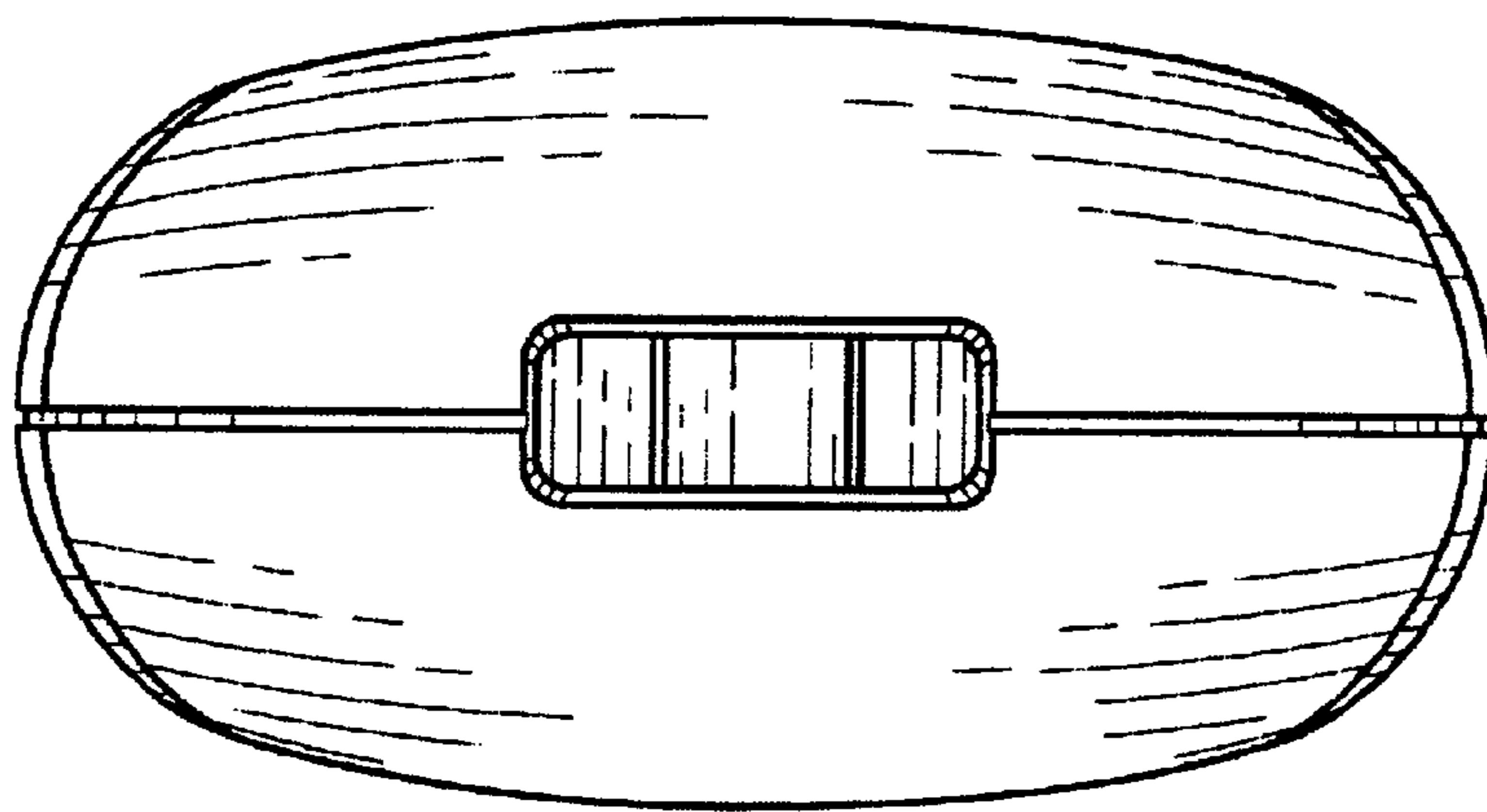


FIG-6

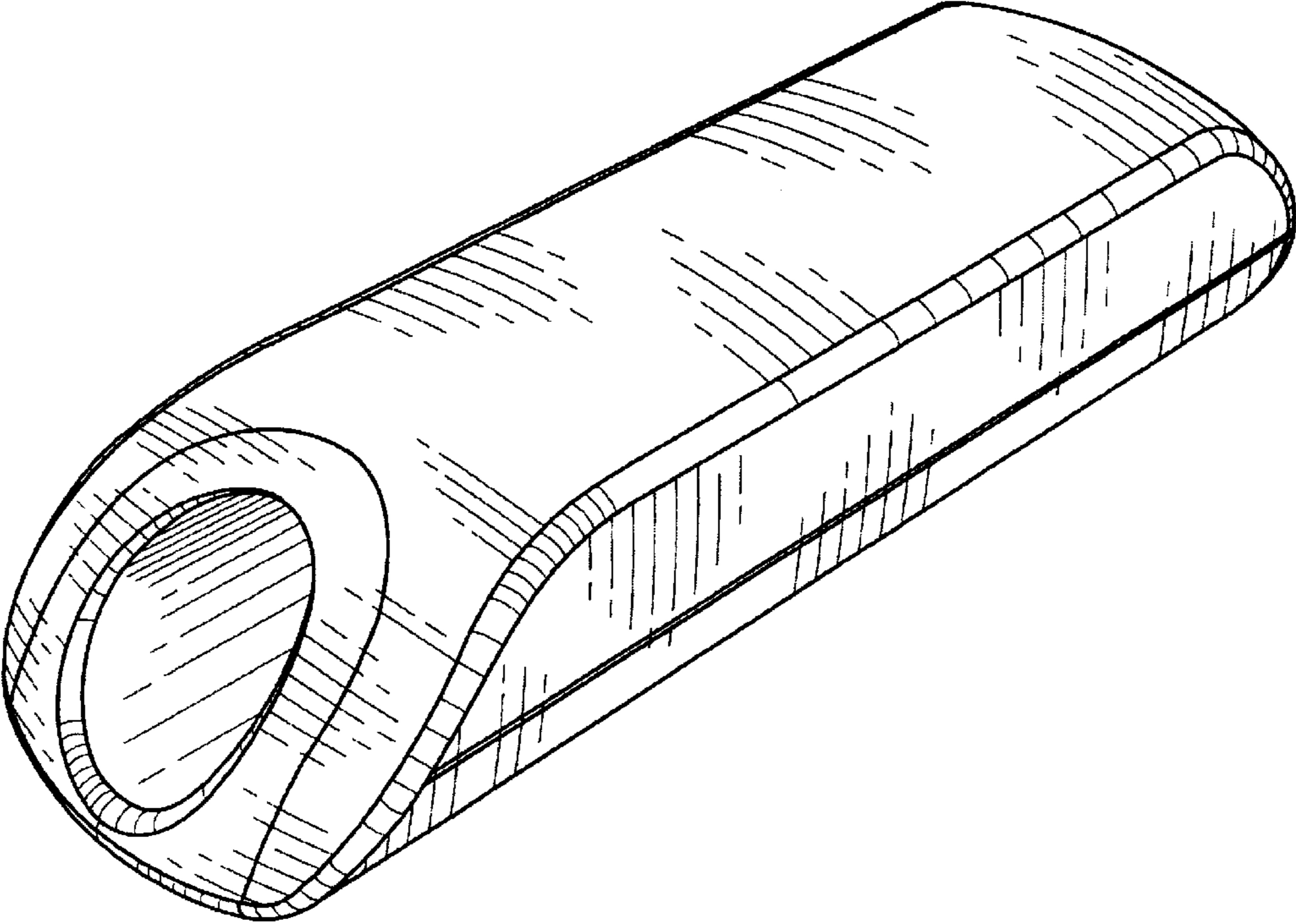


FIG-7

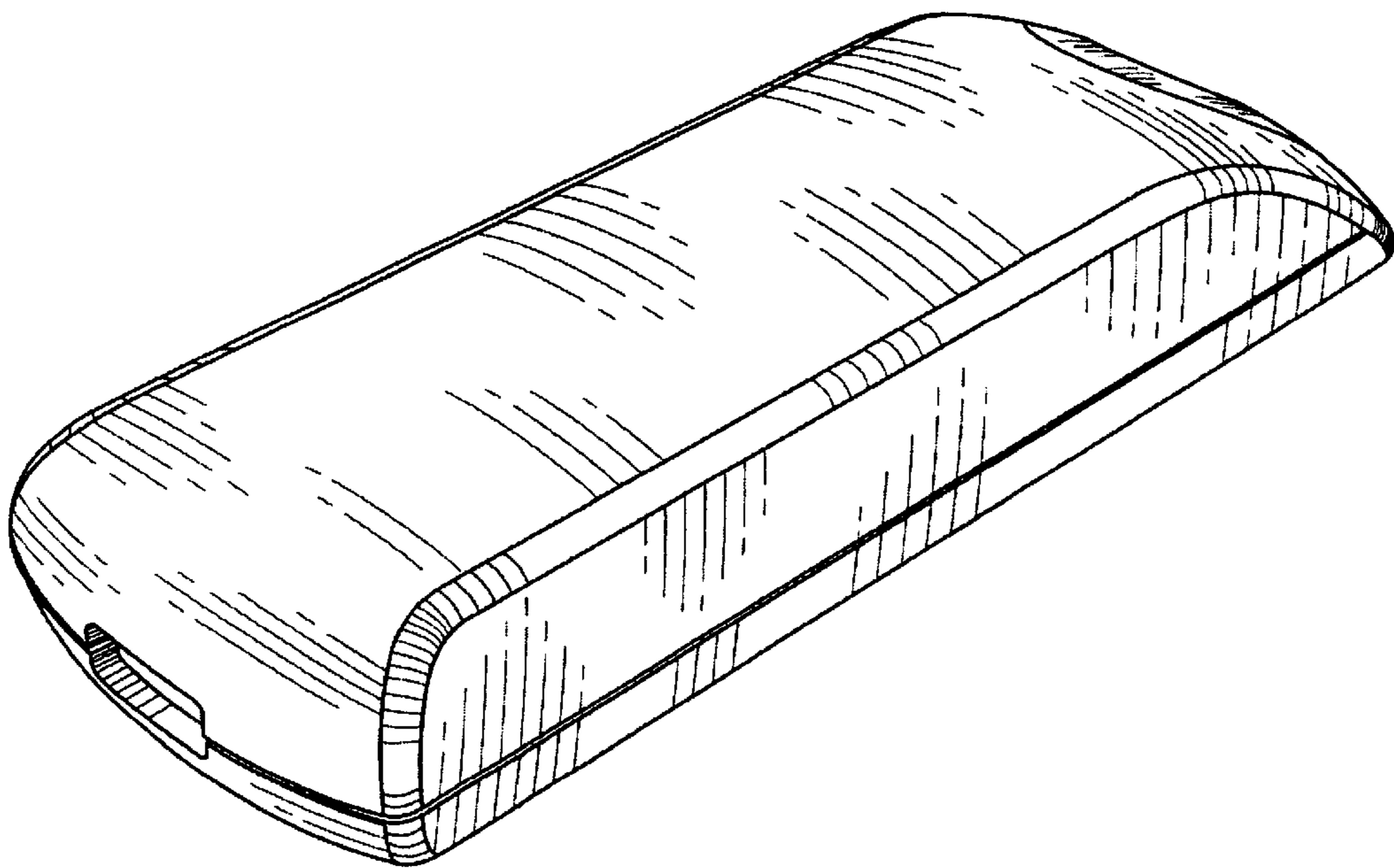


FIG-8

