



US00D528162S

(12) **United States Design Patent**  
**Lucas**

(10) **Patent No.:** **US D528,162 S**

(45) **Date of Patent:** **\*\* Sep. 12, 2006**

(54) **GEAR DEMONSTRATOR DISPLAY RACK**

D270,073 S \* 8/1983 Morey ..... D19/62  
D286,060 S \* 10/1986 Morey ..... D19/62

(75) Inventor: **Forrest D. Lucas**, Corona, CA (US)

\* cited by examiner

(73) Assignee: **Lucas Oil Products, Inc.**, Corona, CA (US)

*Primary Examiner*—Robert A. Delehanty

*Assistant Examiner*—Mark Cavanna

(\*\*) Term: **14 Years**

(74) *Attorney, Agent, or Firm*—Ice Miller LLP

(21) Appl. No.: **29/224,595**

(57) **CLAIM**

(22) Filed: **Mar. 3, 2005**

The ornamental design of a gear demonstrator display rack, as shown and described.

(30) **Foreign Application Priority Data**

**DESCRIPTION**

Sep. 12, 2004 (CA) ..... 109329

(51) **LOC (8) Cl.** ..... **19-07**

(52) **U.S. Cl.** ..... **D19/62**

(58) **Field of Classification Search** ..... D19/59-64;  
D21/488, 563; 273/15 R, 15 S, 243, 288;  
434/189, 370, 401; 446/103

See application file for complete search history.

FIG. 1 is a perspective view of a gear demonstrator display rack in accordance with my design;

FIG. 2 is a front elevational view of the gear demonstrator display rack;

FIG. 3 is a rear elevational view thereof;

FIG. 4 is a right side elevational view thereof;

FIG. 5 is a left side elevational view;

FIG. 6 is a top plan view thereof; and,

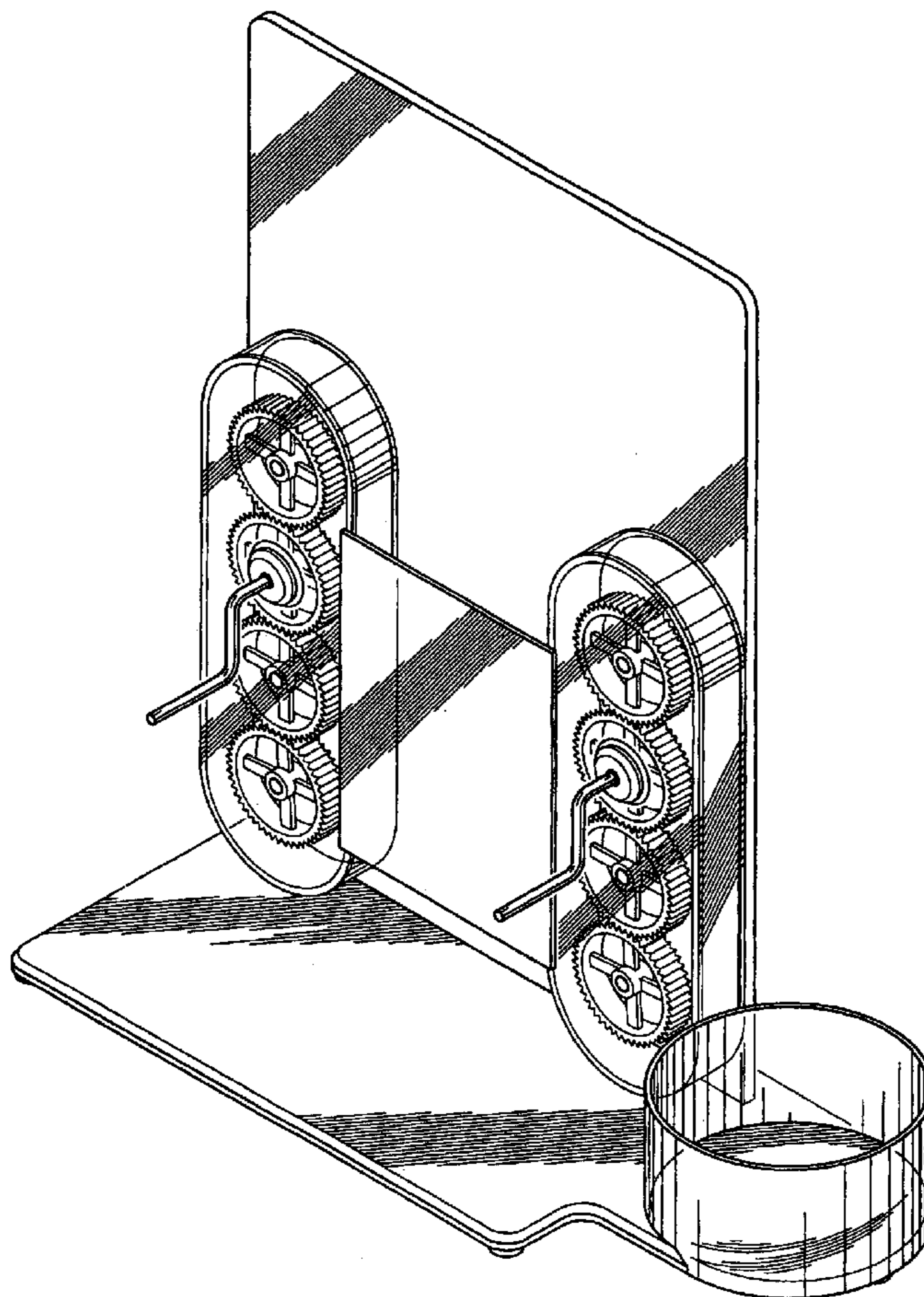
FIG. 7 is a bottom plan view.

(56) **References Cited**

**U.S. PATENT DOCUMENTS**

3,577,661 A \* 5/1971 Usrey ..... 434/189

**1 Claim, 5 Drawing Sheets**



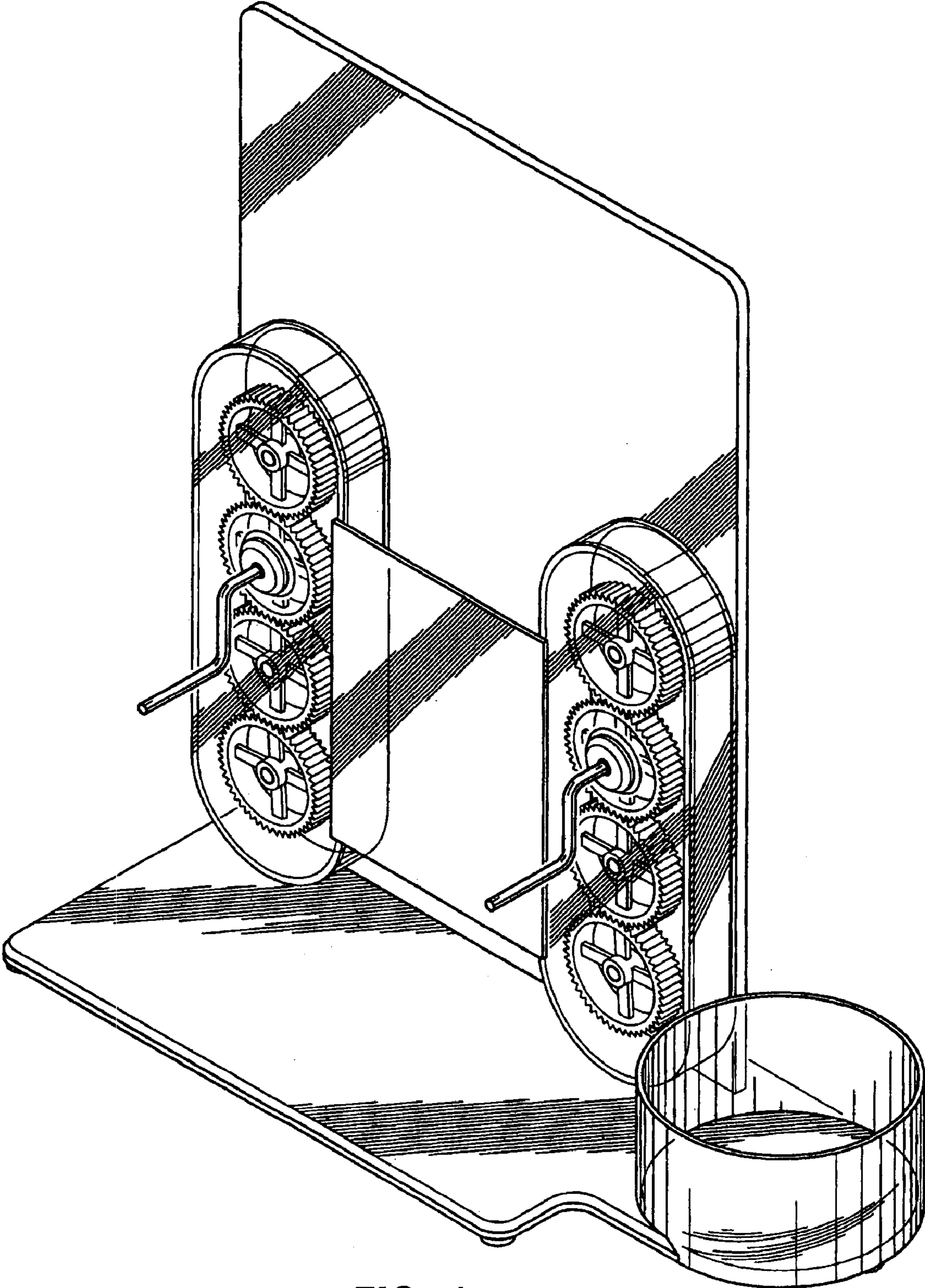


FIG. 1



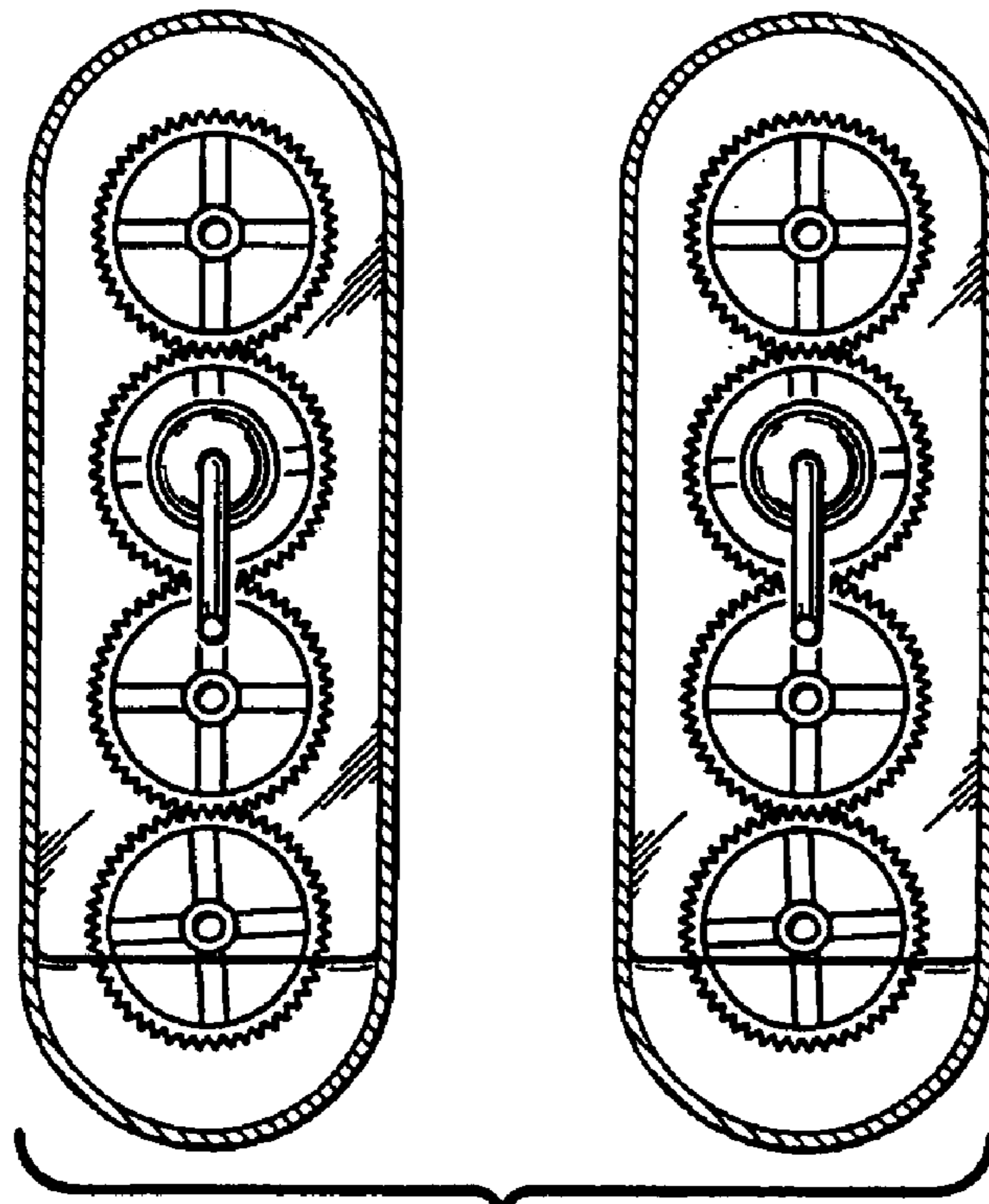


FIG. 2a

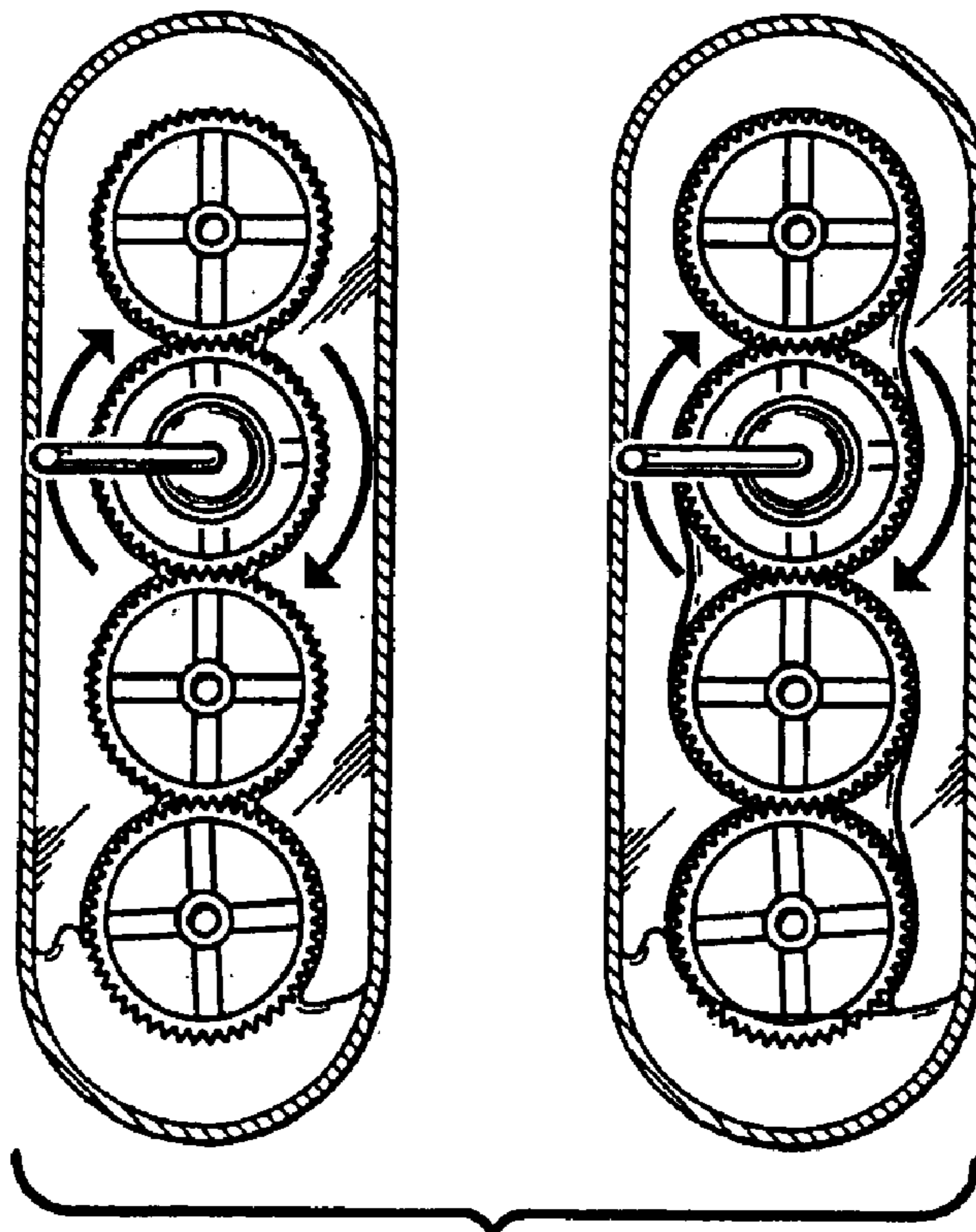


FIG. 2b

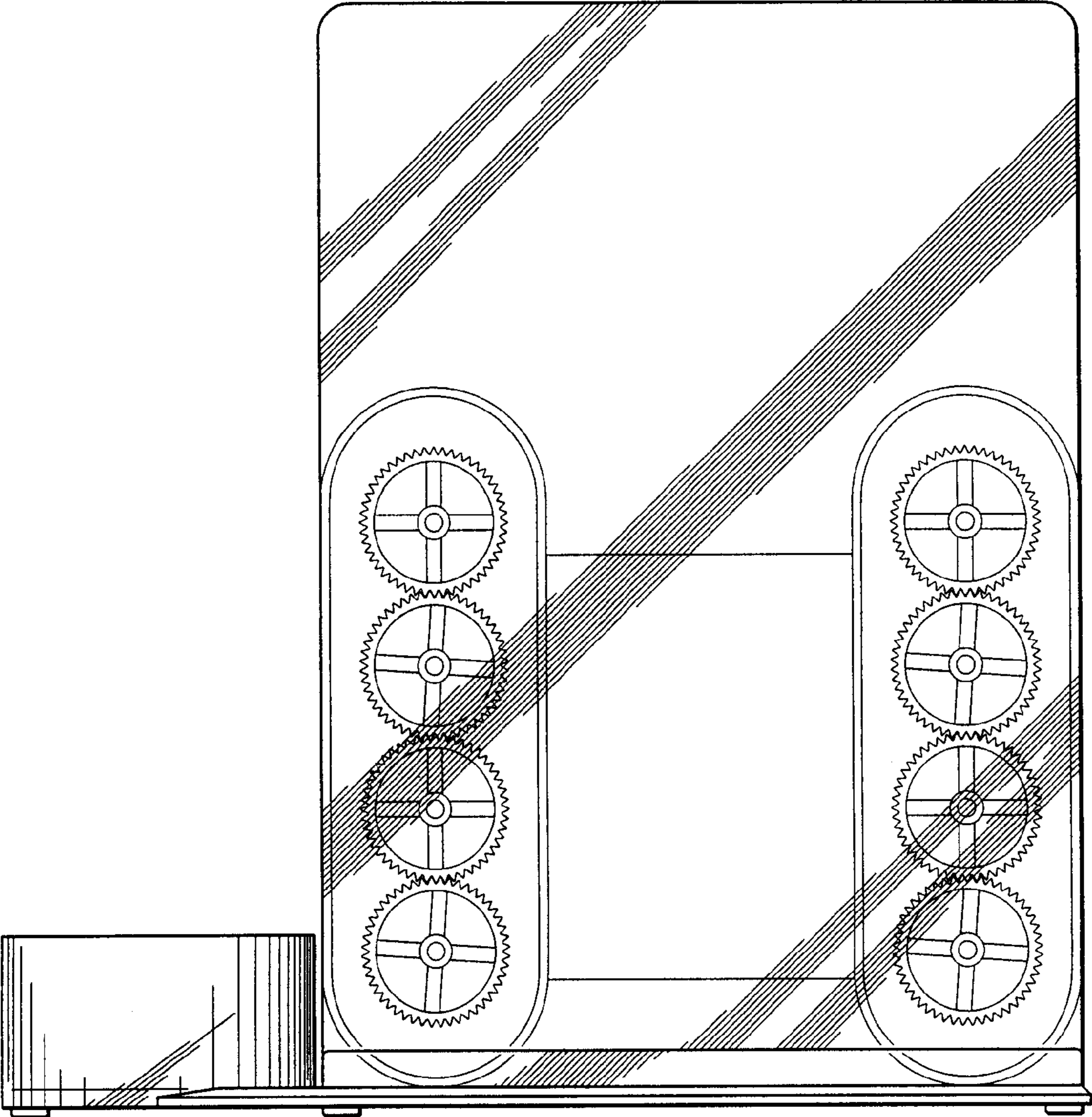


FIG. 3

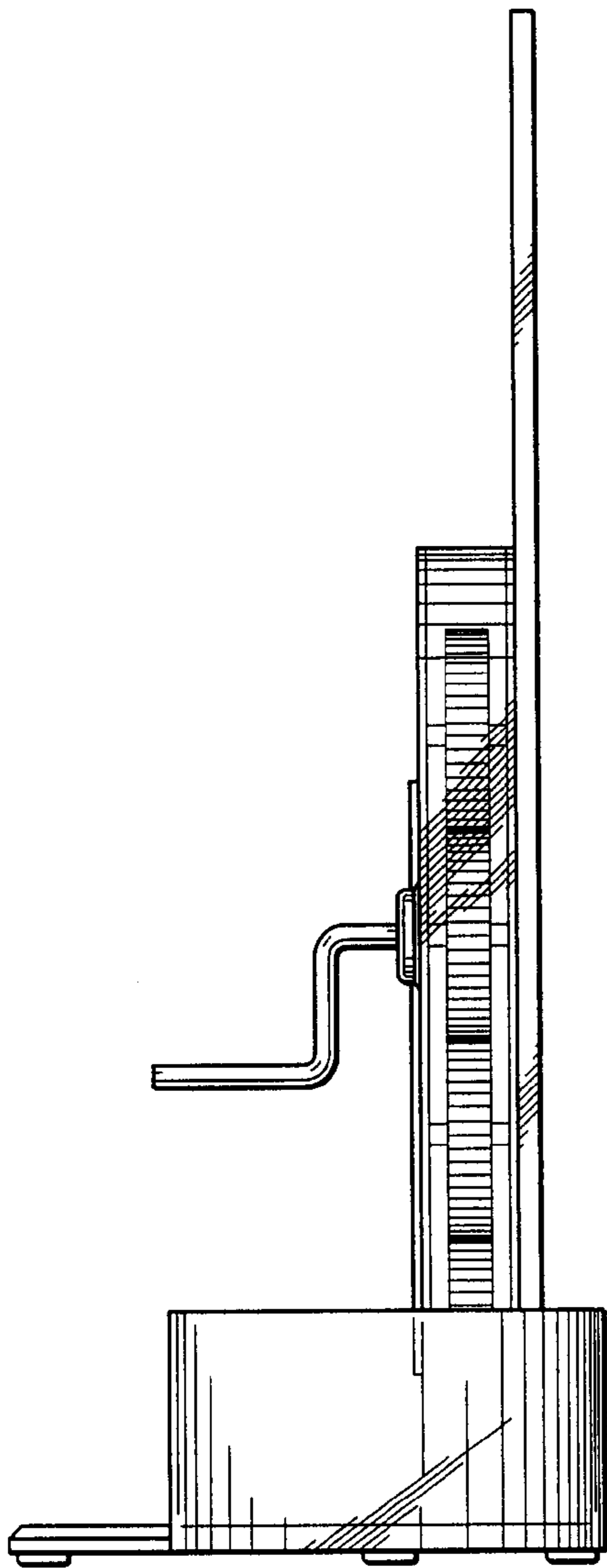


FIG. 4

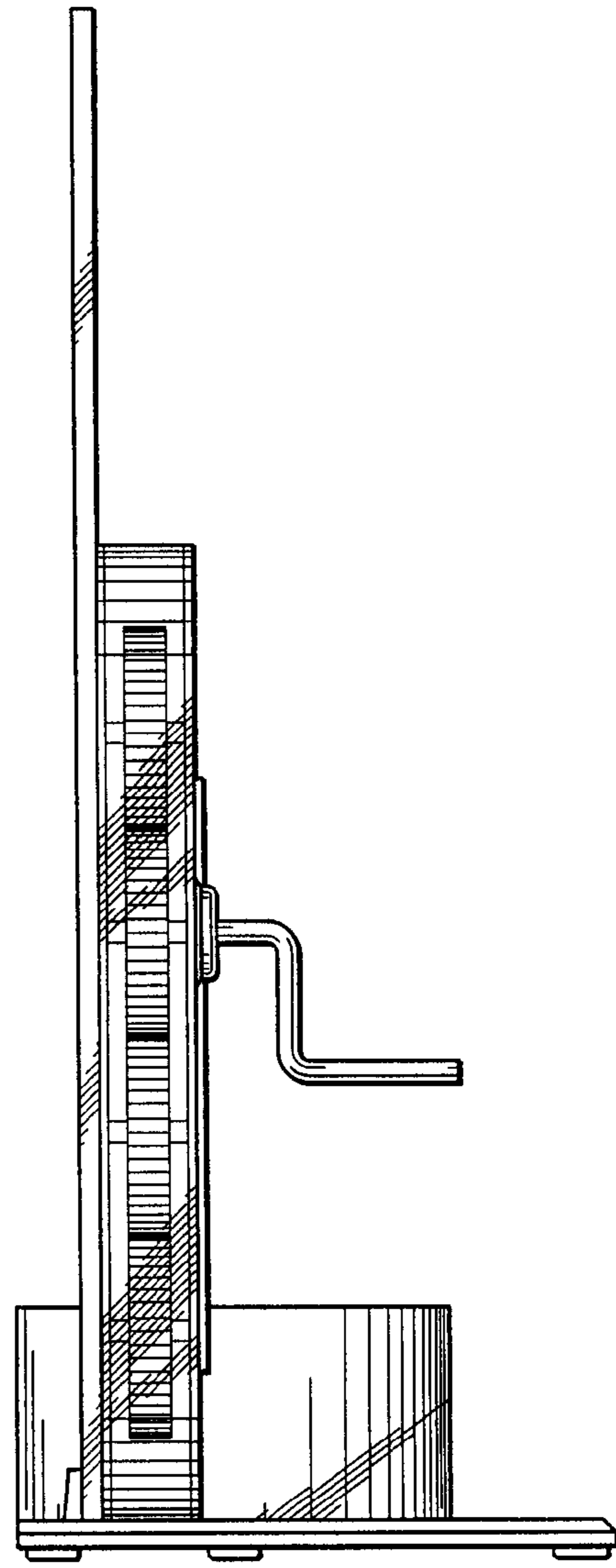
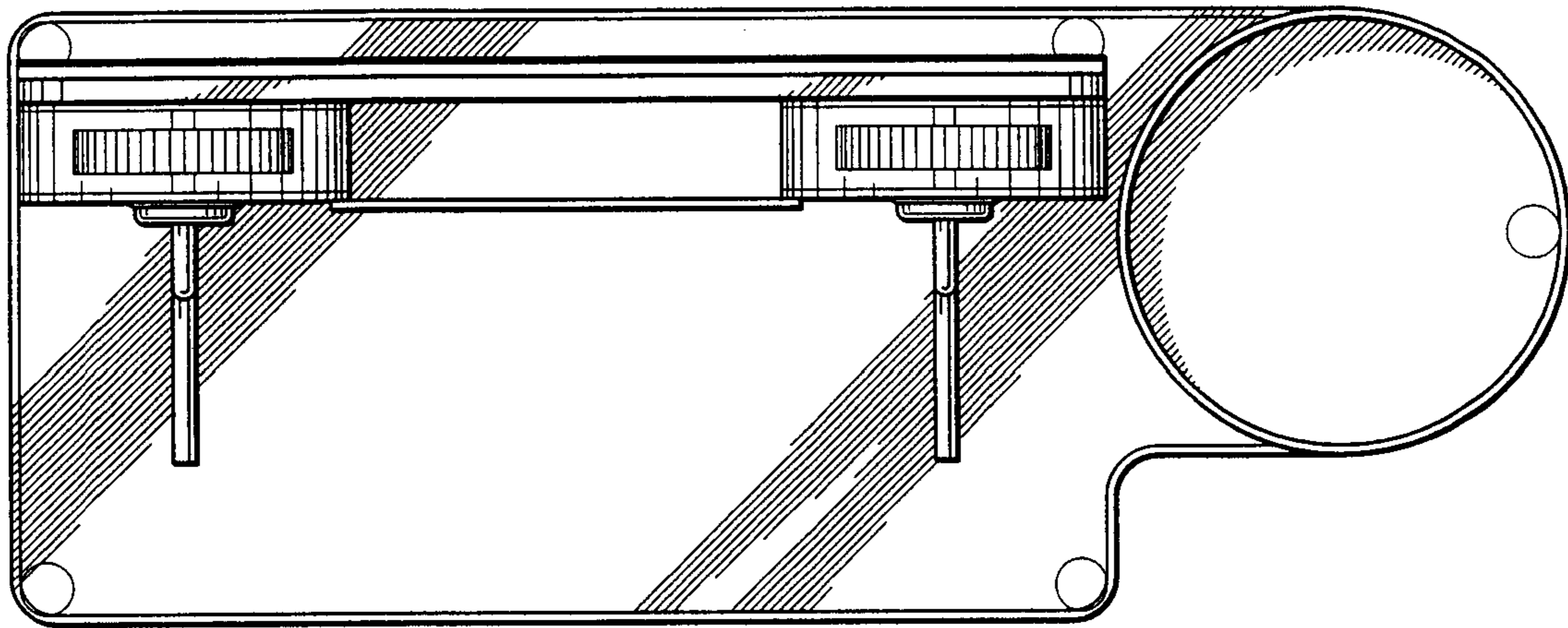
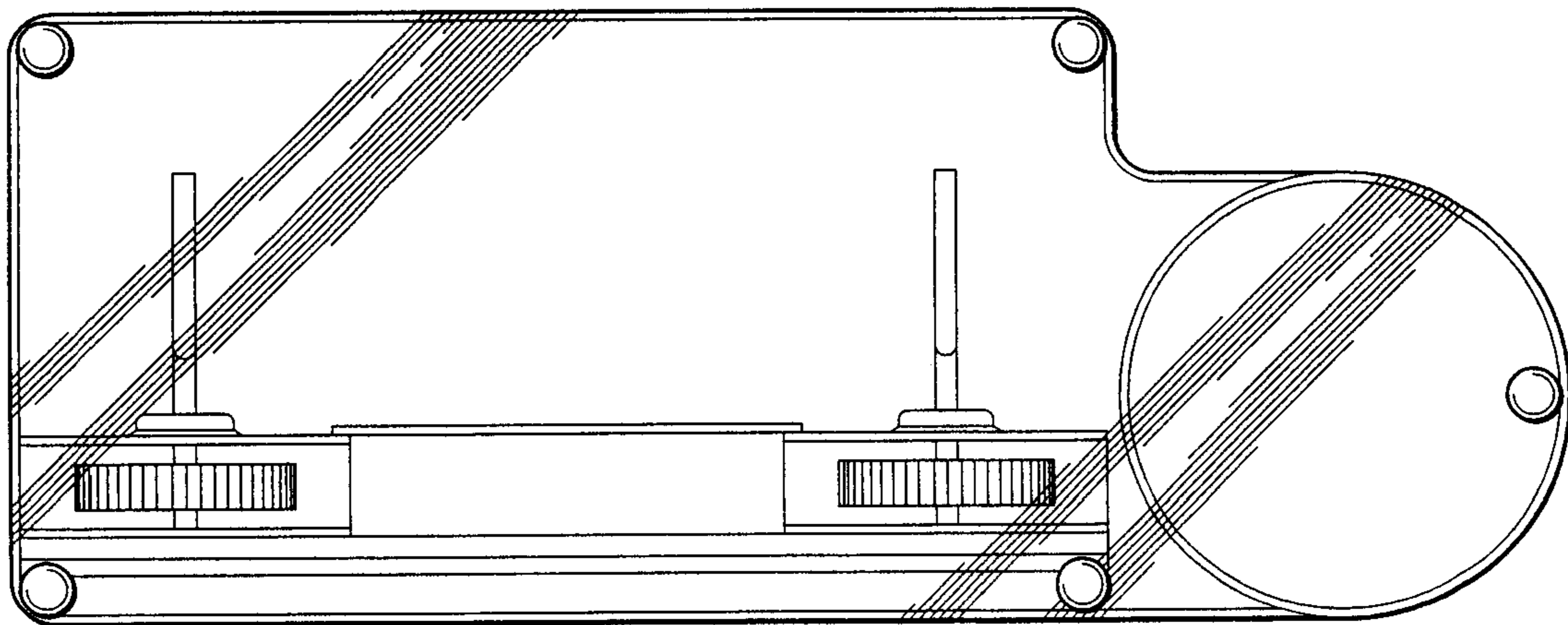


FIG. 5



**FIG. 6**



**FIG. 7**