



US00D528159S

(12) **United States Design Patent**
Jones

(10) **Patent No.:** **US D528,159 S**

(45) **Date of Patent:** **** Sep. 12, 2006**

(54) **INK STICK FOR PHASE CHANGE INK JET PRINTER**

(75) Inventor: **Brent R. Jones**, Tualatin, OR (US)

(73) Assignee: **Xerox Corporation**, Stamford, CT (US)

(**) Term: **14 Years**

(21) Appl. No.: **29/216,642**

(22) Filed: **Nov. 5, 2004**

(51) **LOC (8) Cl.** **18-02**

(52) **U.S. Cl.** **D18/56; 347/88**

(58) **Field of Classification Search** D18/56;
D21/499, 500; 106/31.29, 31.61; 273/156,
273/160; 347/88, 99; 400/207, 208; 434/92,
434/96; 446/122, 124, 125

See application file for complete search history.

(56) **References Cited**

U.S. PATENT DOCUMENTS

2,338,850 A * 1/1944 Heyden 434/92
D235,570 S * 6/1975 Barton D21/499
D358,165 S * 5/1995 Ehara D18/56

D371,801 S * 7/1996 Jones et al. D18/56
D377,532 S * 1/1997 Lin D21/500
D412,527 S * 8/1999 Ellers et al. D18/56
6,755,517 B1 * 6/2004 Jones et al. 347/99
2004/0160498 A1 * 8/2004 Jones 347/88
2004/0183875 A1 * 9/2004 Jones et al. 347/88

* cited by examiner

Primary Examiner—Cathy Anne MacCormac

(57) **CLAIM**

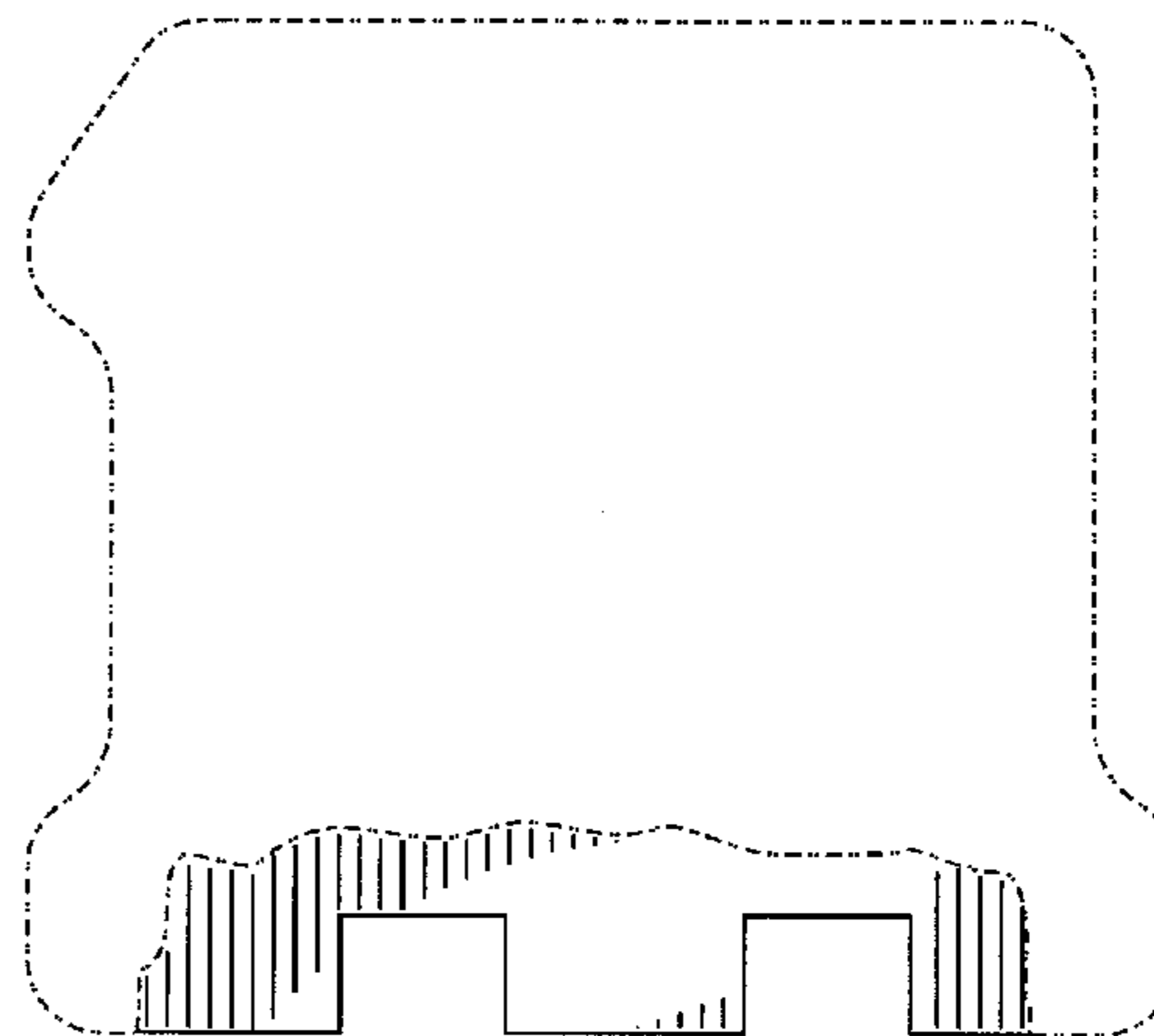
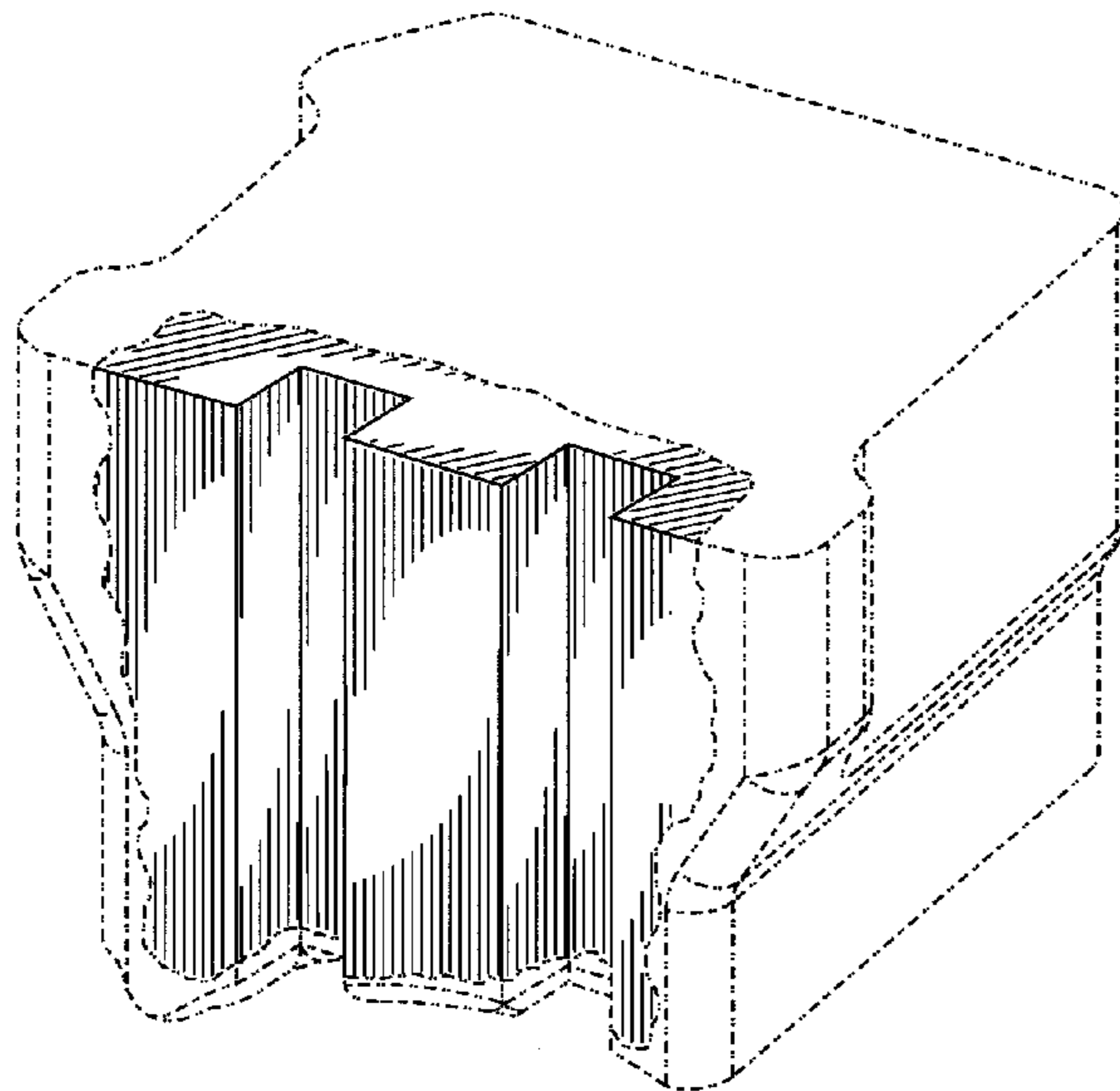
The ornamental design for an ink stick for phase change ink jet printer, as shown and described.

DESCRIPTION

FIG. 1 is a perspective view of an ink stick for phase change ink jet printer illustrating the new design; FIG. 2 is a front elevational view thereof; FIG. 3 is a right side elevational view thereof; FIG. 4 is a rear elevational view thereof; FIG. 5 is a left side elevational view thereof; FIG. 6 is a top plan view thereof; and, FIG. 7 is a bottom plan view thereof.

The broken lines are for illustrative purposes only and form no part of the claimed design.

1 Claim, 4 Drawing Sheets



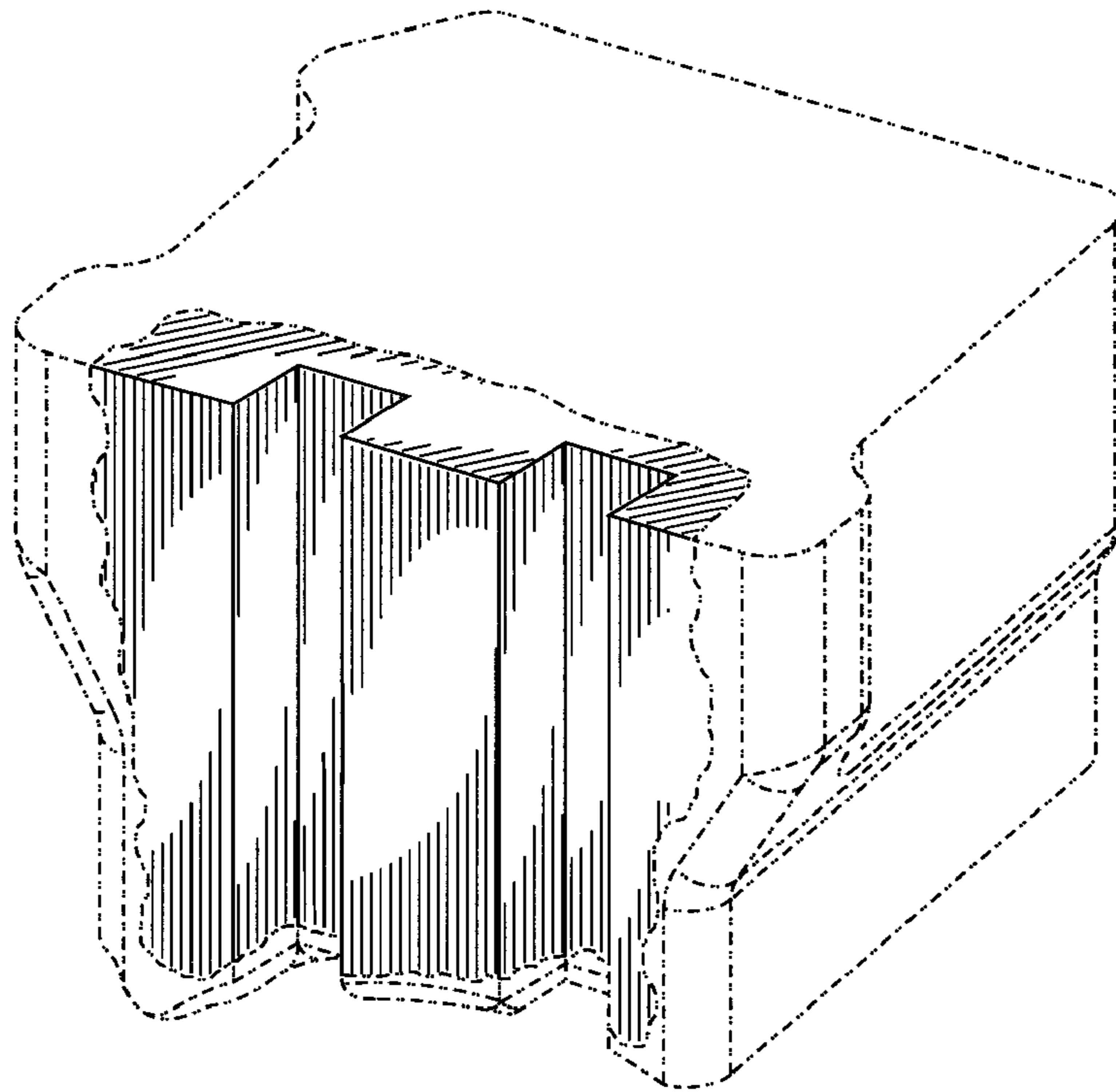


FIG. 1

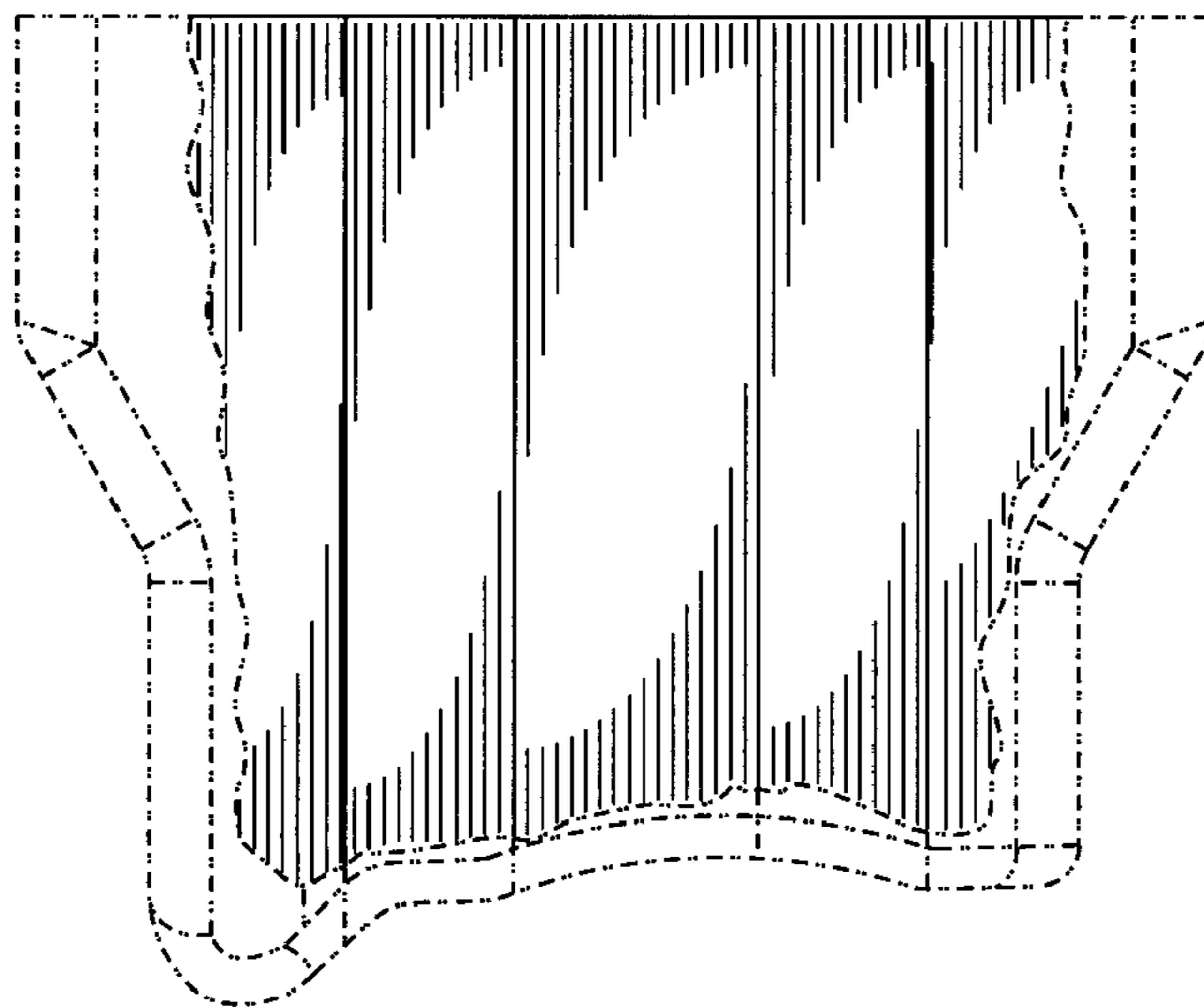


FIG. 2

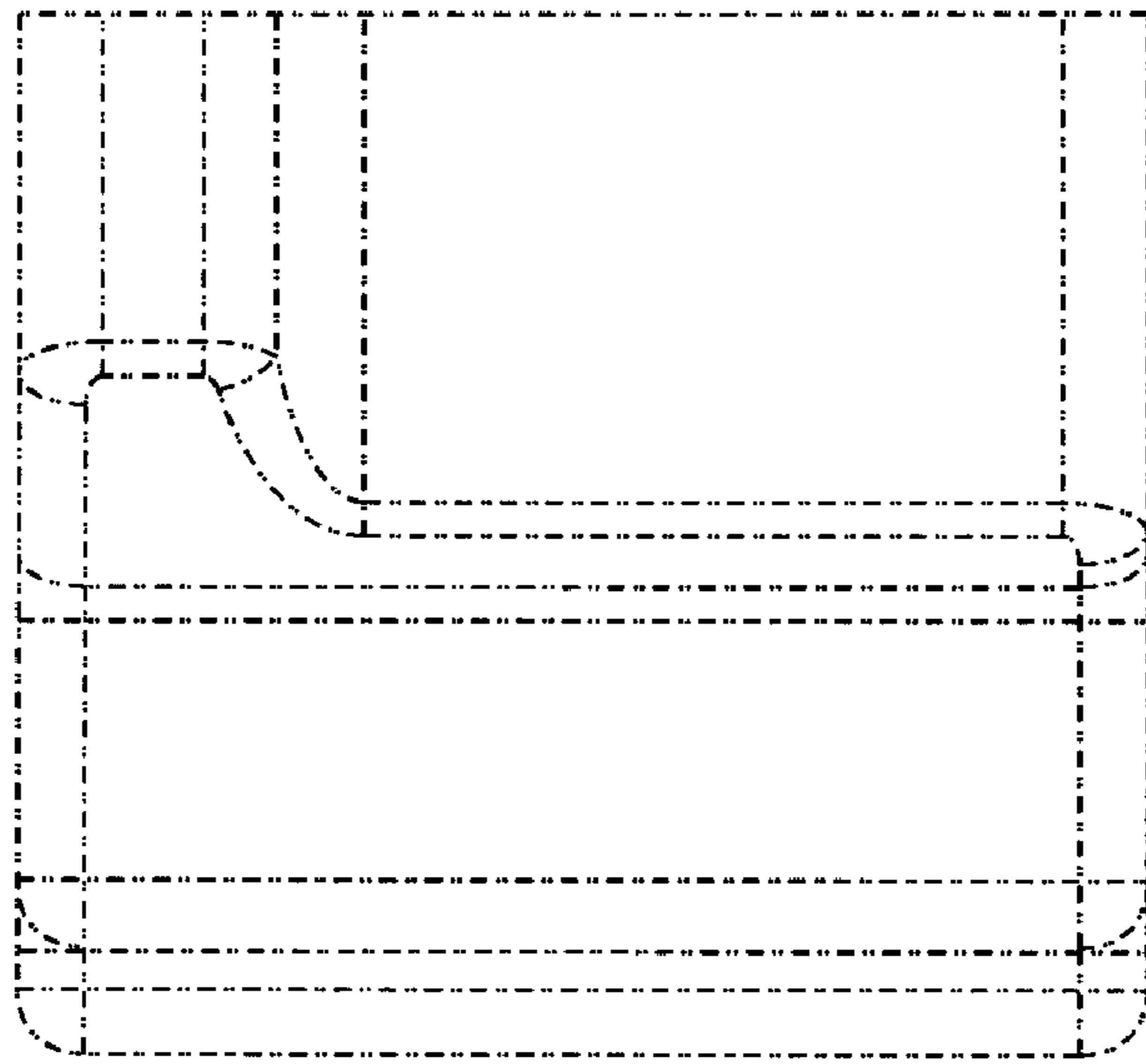


FIG. 3

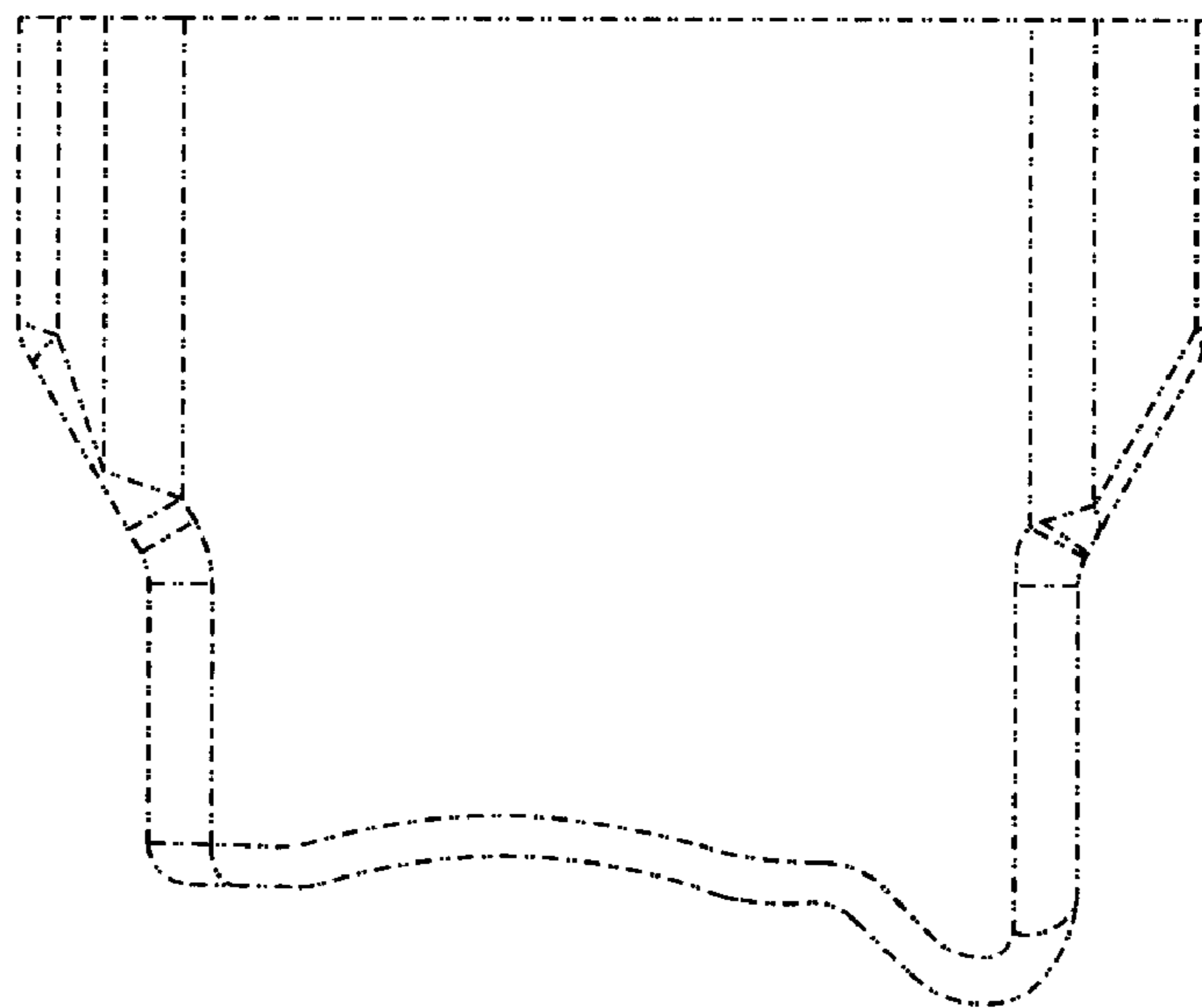


FIG. 4

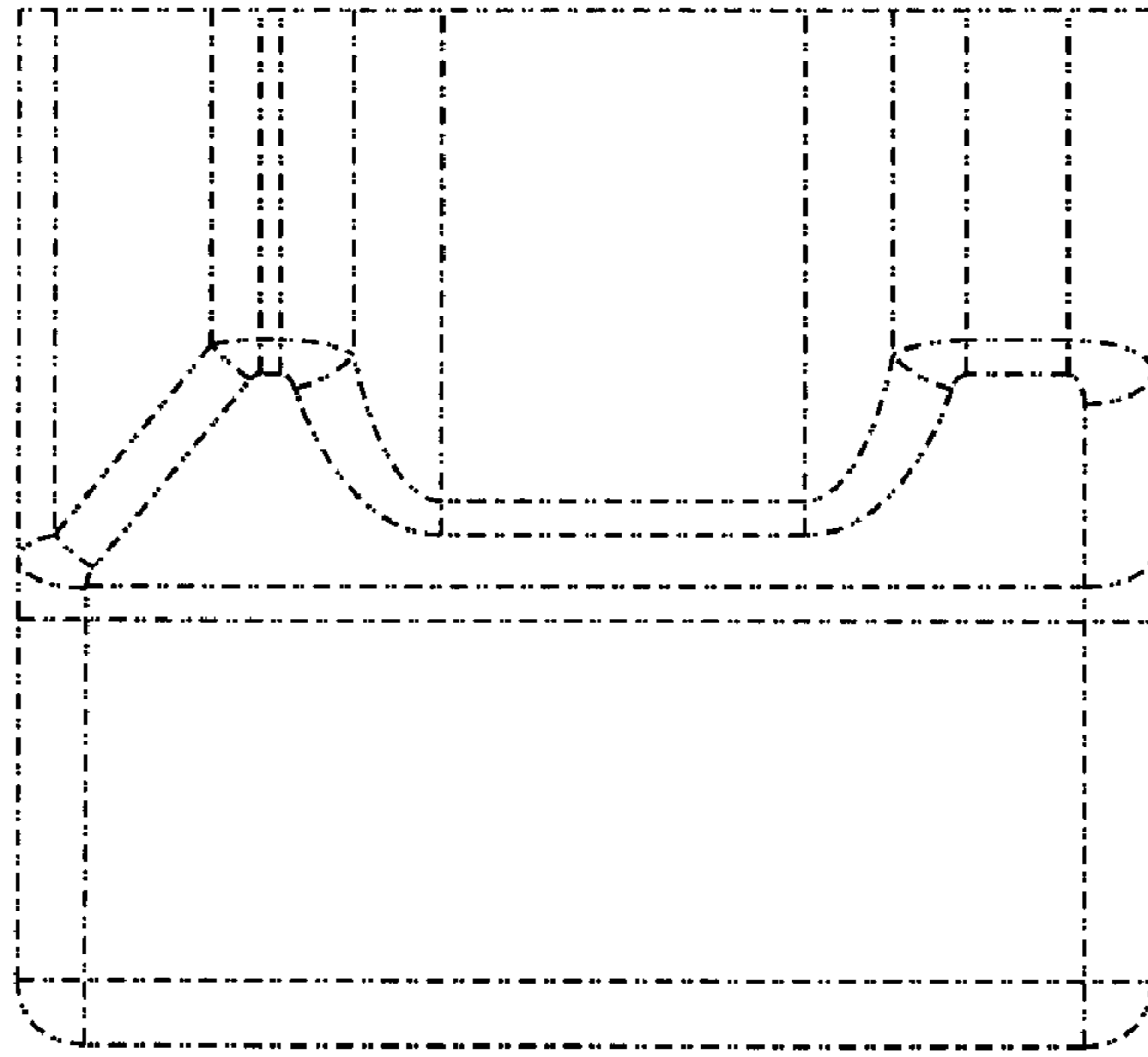


FIG. 5

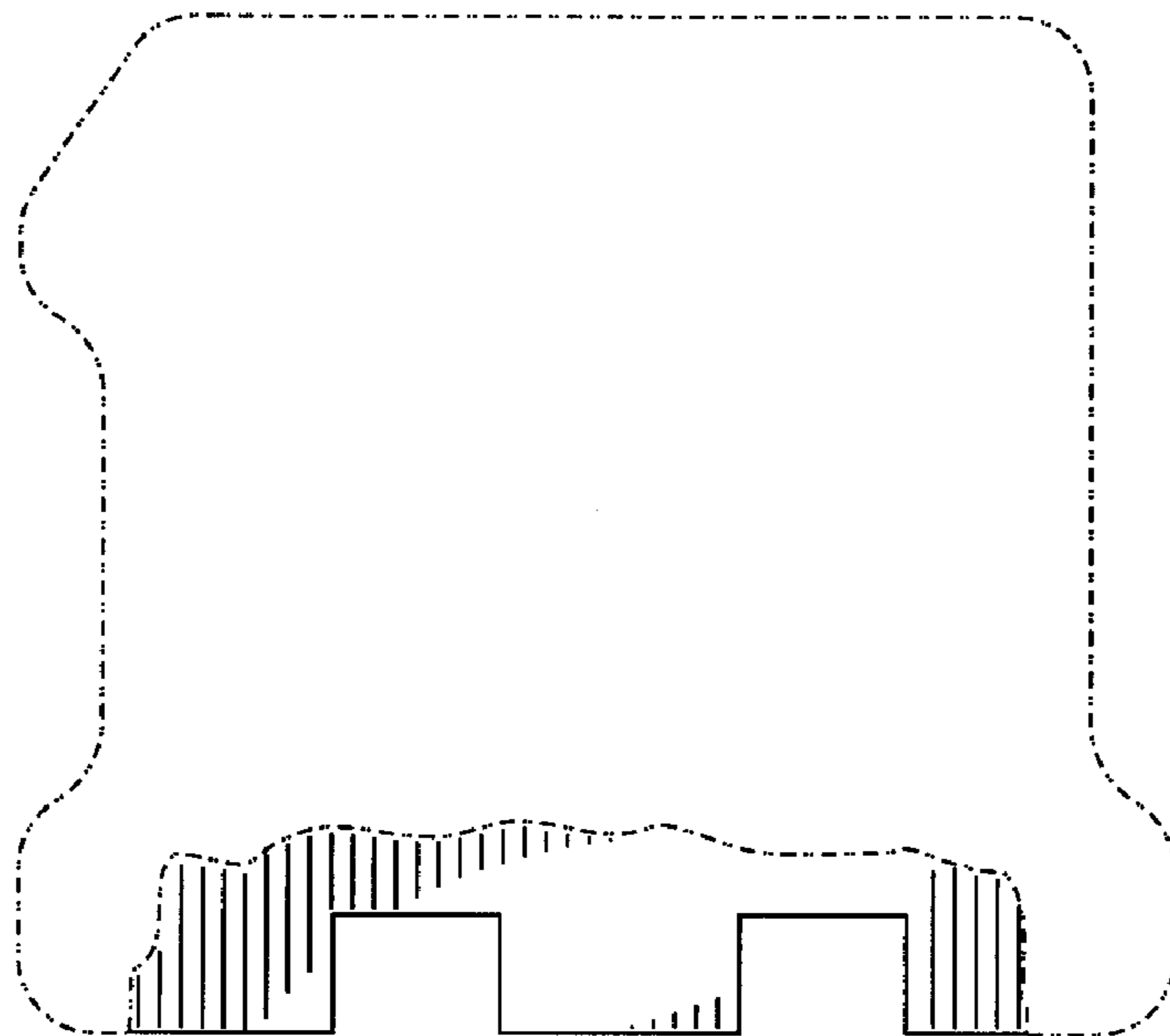


FIG. 6

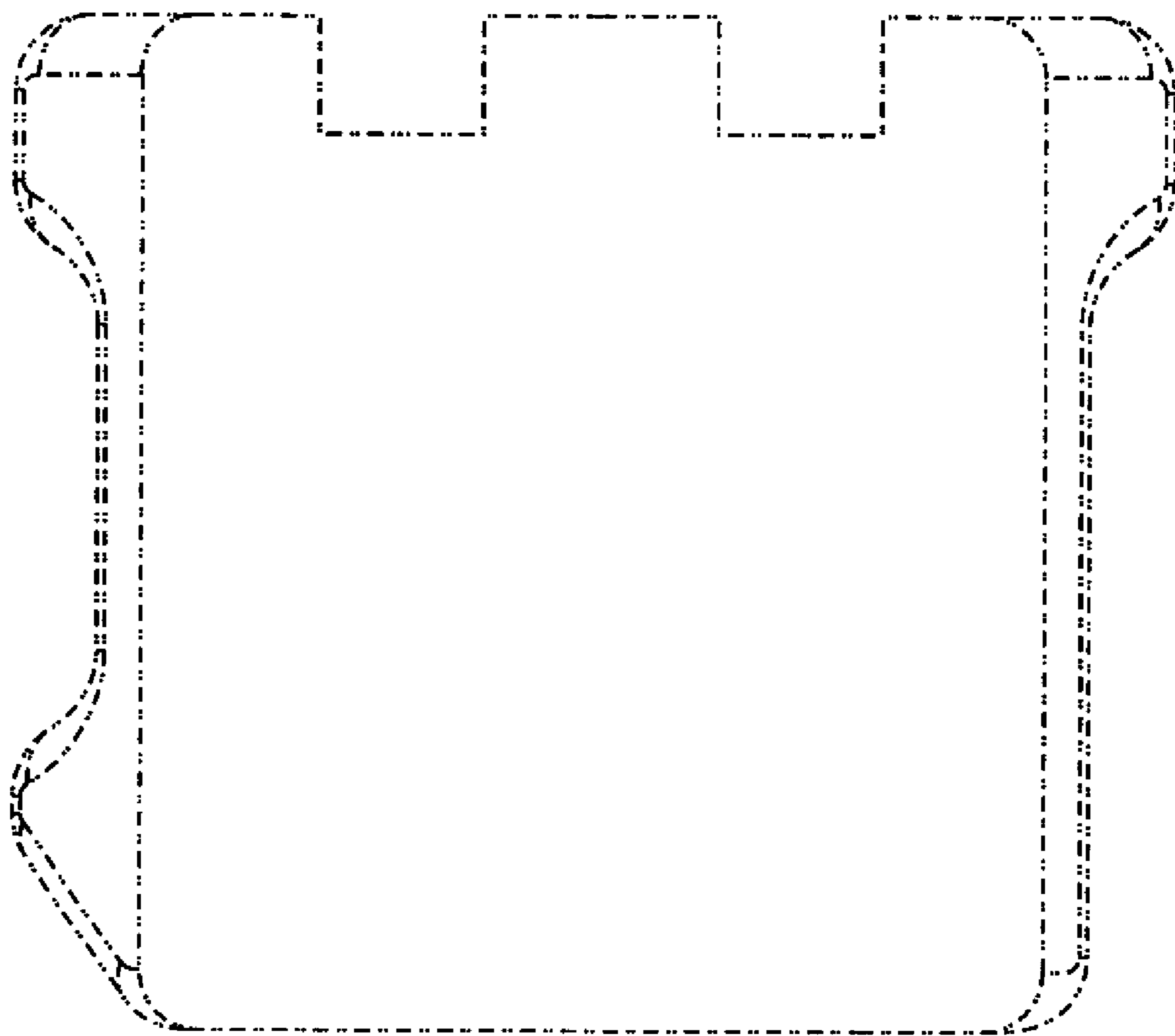


FIG. 7