



US00D528157S

(12) **United States Design Patent**
Sasaki

(10) **Patent No.:** **US D528,157 S**

(45) **Date of Patent:** **** Sep. 12, 2006**

(54) **INK CARTRIDGE**

D466,925 S * 12/2002 Ishizawa et al. D18/56

(75) Inventor: **Toyonori Sasaki**, Anjyo (JP)

* cited by examiner

(73) Assignee: **Brothers Industries, Ltd.**, Aichi-Ken (JP)

Primary Examiner—Cathy Anne MacCormac

(74) *Attorney, Agent, or Firm*—McKenna Long & Aldridge LLP

(**) Term: **14 Years**

(57) **CLAIM**

(21) Appl. No.: **29/174,007**

The ornamental design for an ink cartridge, as shown and described.

(22) Filed: **Jan. 10, 2003**

(30) **Foreign Application Priority Data**

DESCRIPTION

Jul. 10, 2002 (JP) 2002-018537

(51) **LOC (8) Cl.** **18-02**

(52) **U.S. Cl.** **D18/56; 347/86**

(58) **Field of Classification Search** D18/56,
D18/40, 43; 347/86, 87

See application file for complete search history.

FIG. 1 is a bottom plan view of my new design; FIG. 2 is an enlarged fragmentary top perspective view from reference point II from FIG. 1 and reference point II' from FIG. 5, wherein the curved line-dot-line broken line indicates the unclaimed edge of the claimed horizontal surface; FIG. 3 is an enlarged fragmentary top perspective view from reference point III from FIG. 1 and reference point III' from FIG. 5, wherein the curved line-dot-line broken line indicates the unclaimed edge of the claimed horizontal surface; FIG. 4 is an enlarged cross-sectional view taken on line 4—4 of FIG. 1; and, FIG. 5 is an enlarged cross-sectional view taken on line 5—5 of FIG. 1.

The broken lines are for illustration only and form no part of the claimed design.

(56) **References Cited**

U.S. PATENT DOCUMENTS

4,153,512 A	*	5/1979	Messner et al.	435/33
D409,236 S	*	5/1999	Fujii et al.	D18/56
D422,306 S	*	4/2000	Gasvoda et al.	D18/56
D425,112 S	*	5/2000	Shinada et al.	D18/56
D425,285 S	*	5/2000	Shinada et al.	D18/56
D448,797 S	*	10/2001	Carrese et al.	D18/56

1 Claim, 3 Drawing Sheets

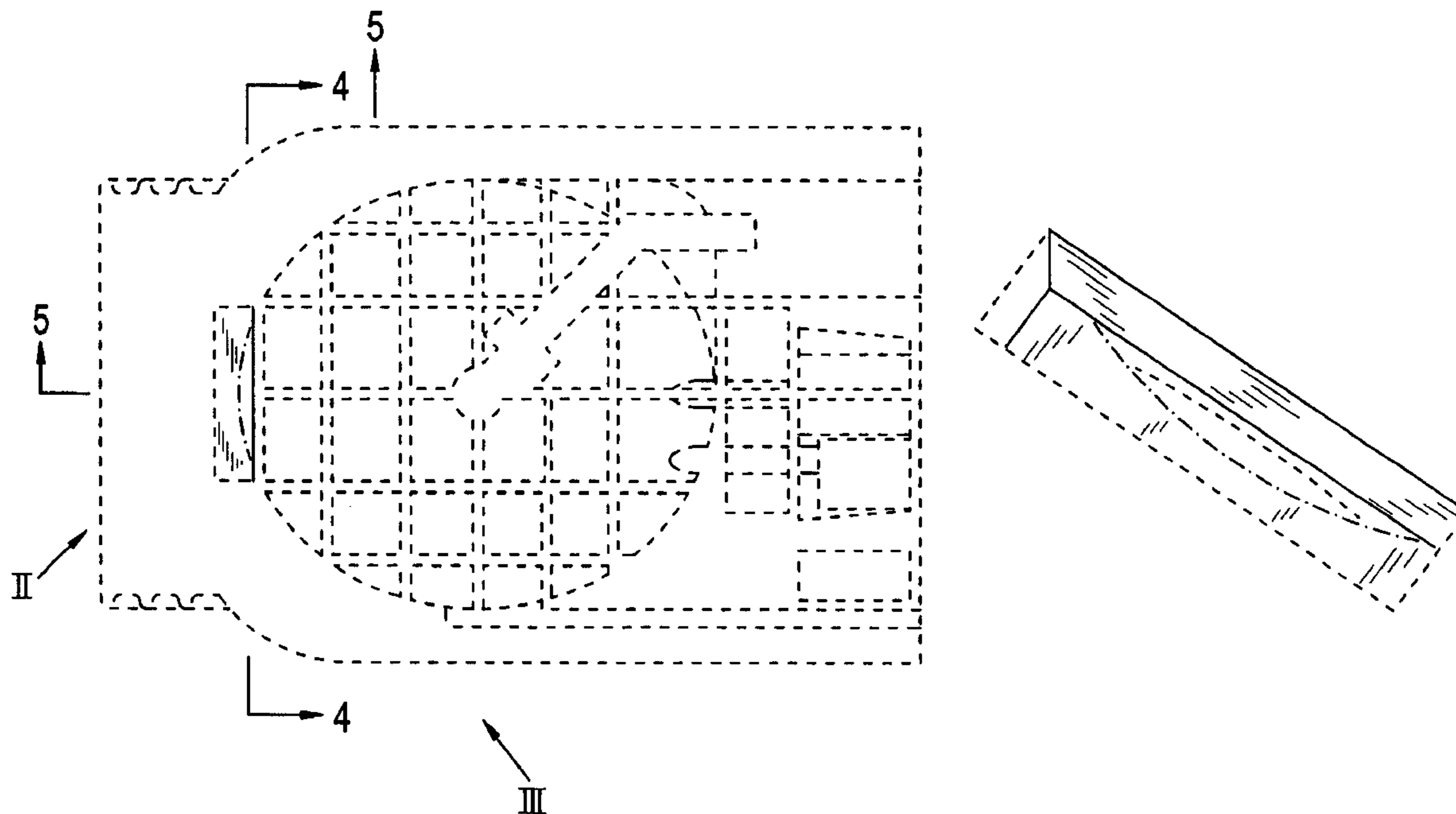
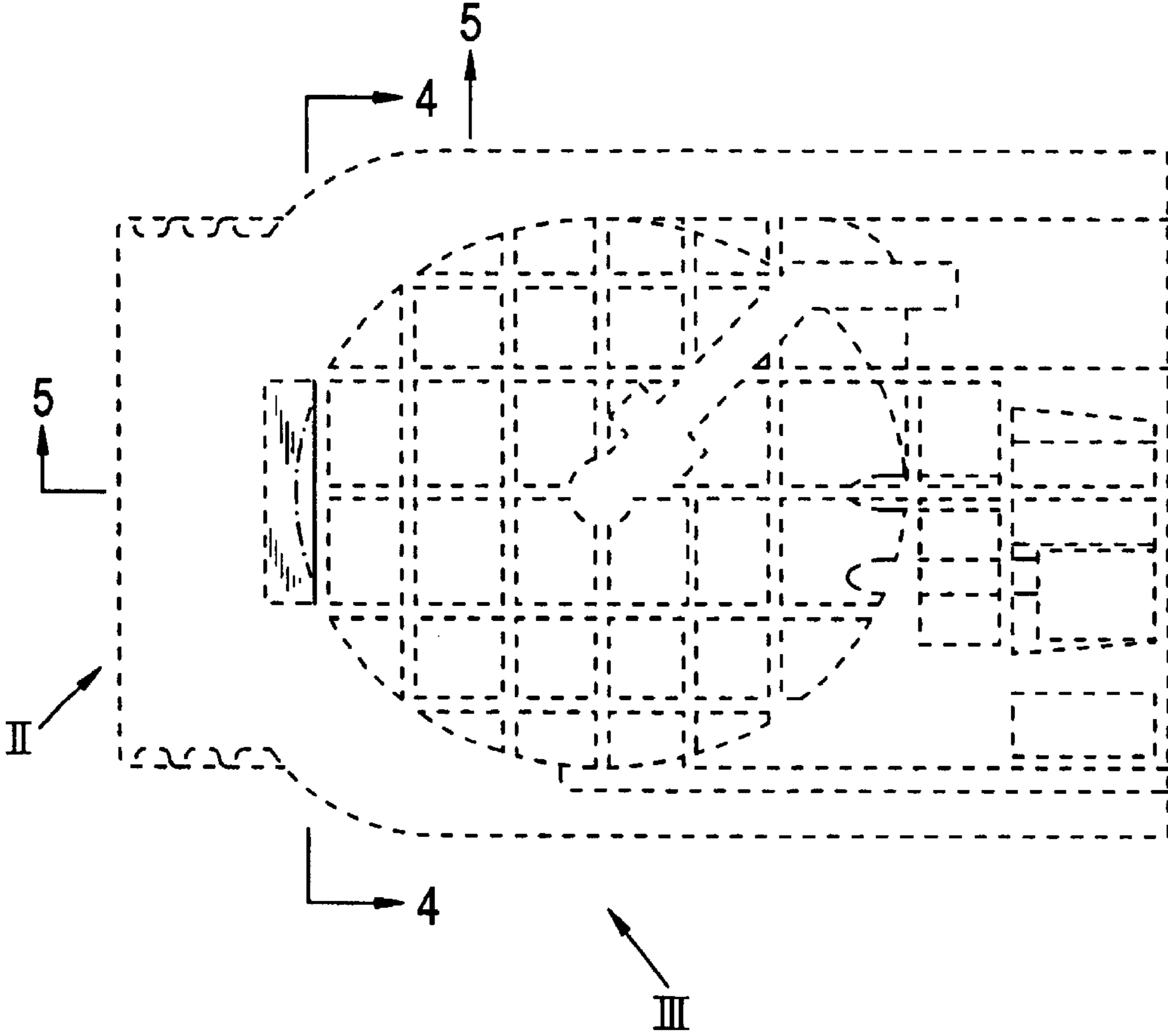


FIG. 1



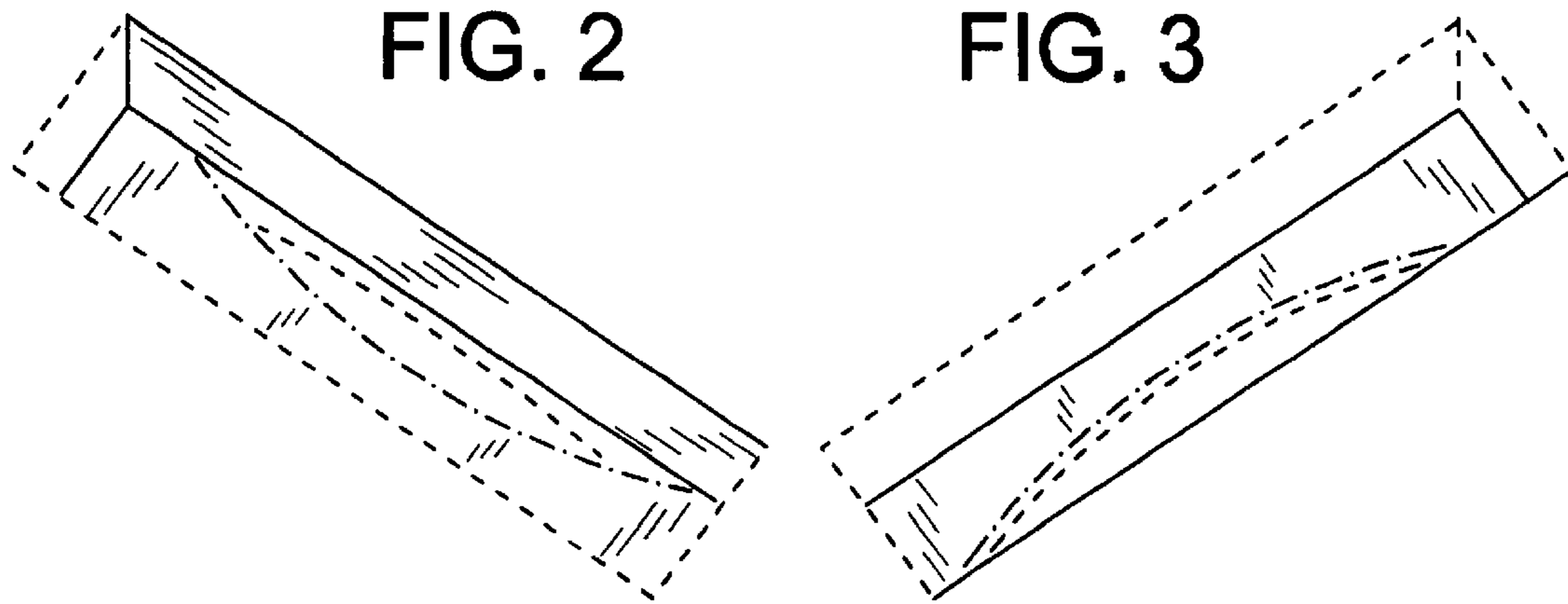


FIG. 4

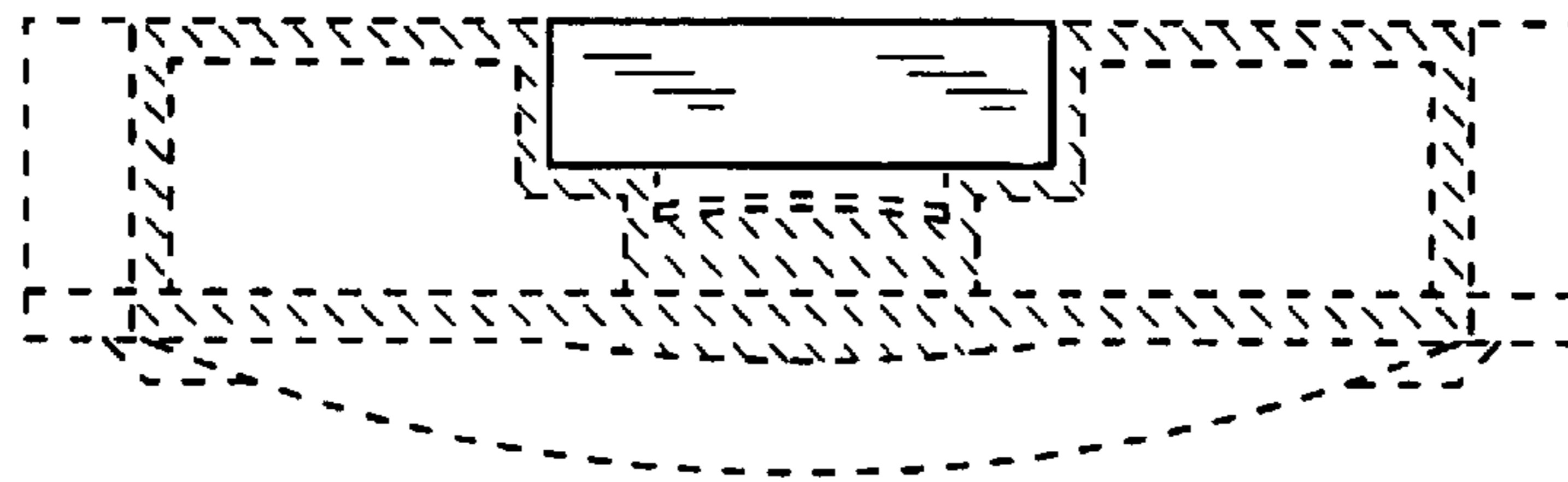


FIG. 5

