



US00D528154S

(12) **United States Design Patent**  
**Hattori**

(10) **Patent No.:** **US D528,154 S**

(45) **Date of Patent:** **\*\* Sep. 12, 2006**

(54) **PRINTER**

(75) Inventor: **Mitsuharu Hattori**, Nagoya (JP)

(73) Assignee: **Brother Industries, Ltd.**, Nagoya (JP)

(\*\*) Term: **14 Years**

(21) Appl. No.: **29/204,941**

(22) Filed: **May 7, 2004**

(30) **Foreign Application Priority Data**

Nov. 10, 2003 (JP) ..... 2003-033232  
Dec. 26, 2003 (JP) ..... 2003-038745

(51) **LOC (8) Cl.** ..... **18-02**

(52) **U.S. Cl.** ..... **D18/54**

(58) **Field of Classification Search** ..... D18/19,  
D18/36-41, 50, 53, 54-55; D14/420-425,  
D14/462-470; 400/613, 613.1-613.4, 690.1-690.4,  
400/691-694

See application file for complete search history.

(56) **References Cited**

**U.S. PATENT DOCUMENTS**

D378,099 S \* 2/1997 Yoshida et al. .... D18/36  
D380,204 S \* 6/1997 Kogoh et al. .... D14/425  
D448,796 S \* 10/2001 Clark et al. .... D18/55  
D479,556 S \* 9/2003 Hattori et al. .... D14/464

D480,732 S \* 10/2003 Hattori et al. .... D18/53  
D493,469 S \* 7/2004 Hattori et al. .... D14/468  
D501,667 S \* 2/2005 Ishigami et al. .... D18/50  
D502,500 S \* 3/2005 Hoshiya et al. .... D18/50

\* cited by examiner

*Primary Examiner*—Louis S. Zarfes

*Assistant Examiner*—Anhdao Doan

(74) *Attorney, Agent, or Firm*—Oliff & Berridge, PLC

(57) **CLAIM**

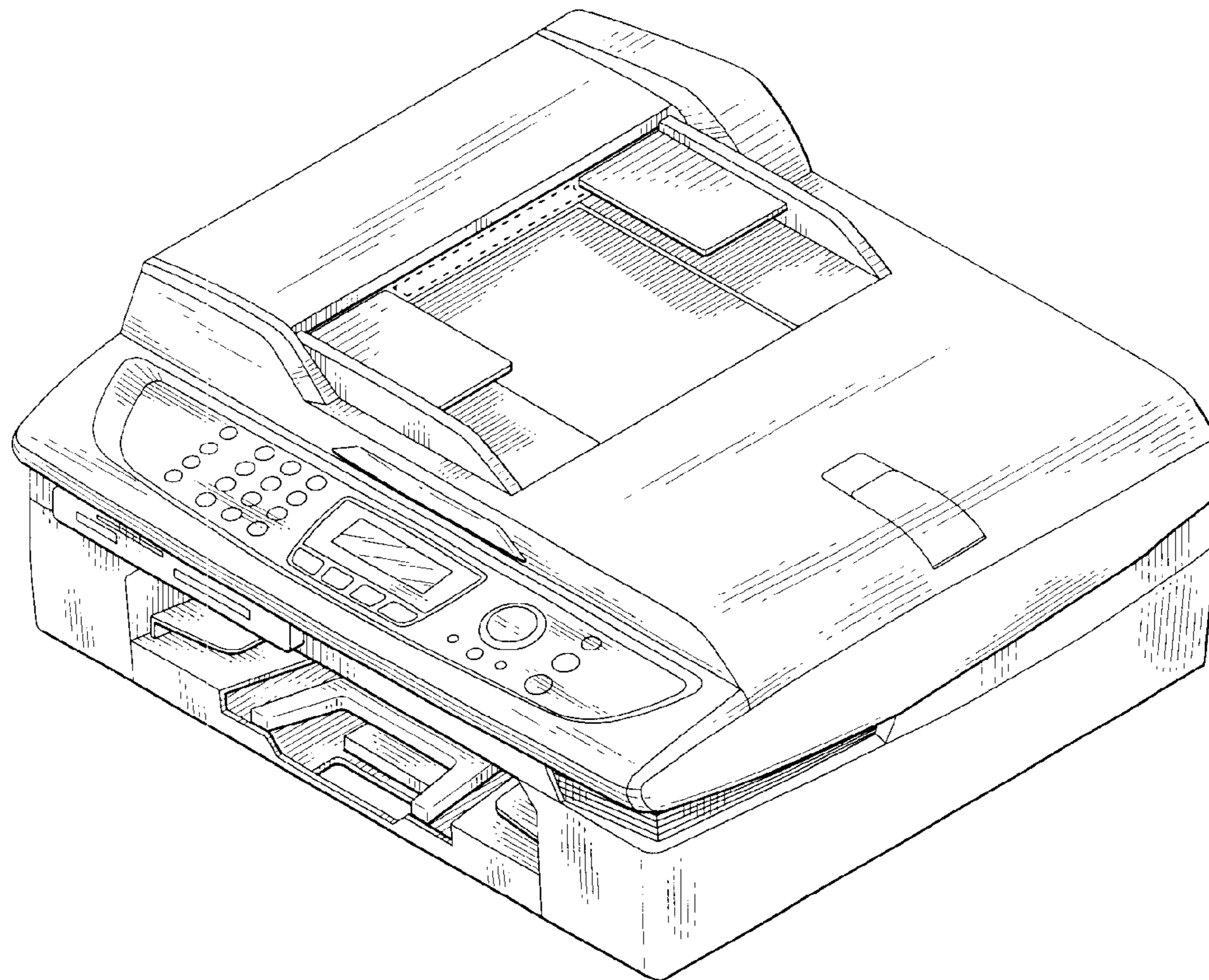
The ornamental design for a printer, as shown and described.

**DESCRIPTION**

FIG. 1 is a front view of a printer;  
FIG. 2 is a top view thereof;  
FIG. 3 is a right-side view thereof;  
FIG. 4 is a left-side view thereof;  
FIG. 5 is a rear view thereof;  
FIG. 6 is a bottom view thereof;  
FIG. 7 is a perspective view thereof;  
FIG. 8 is a front view like FIG. 1 with a sheet stopper in an open position; and,  
FIG. 9 is a top view like FIG. 2 with a paper tray in an extended position.

The broken line disclosure is for illustrative purposes only and forms no part of the claimed design.

**1 Claim, 8 Drawing Sheets**



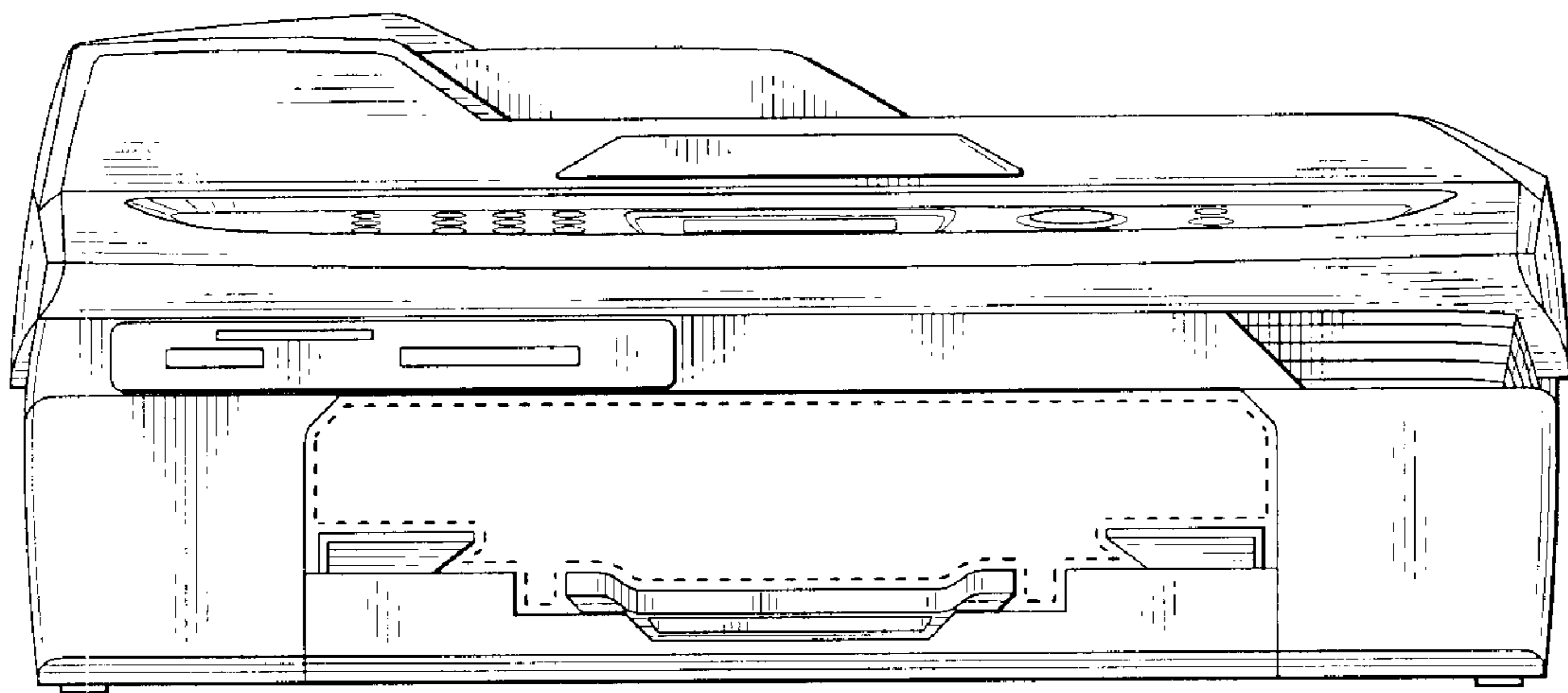


Fig. 1

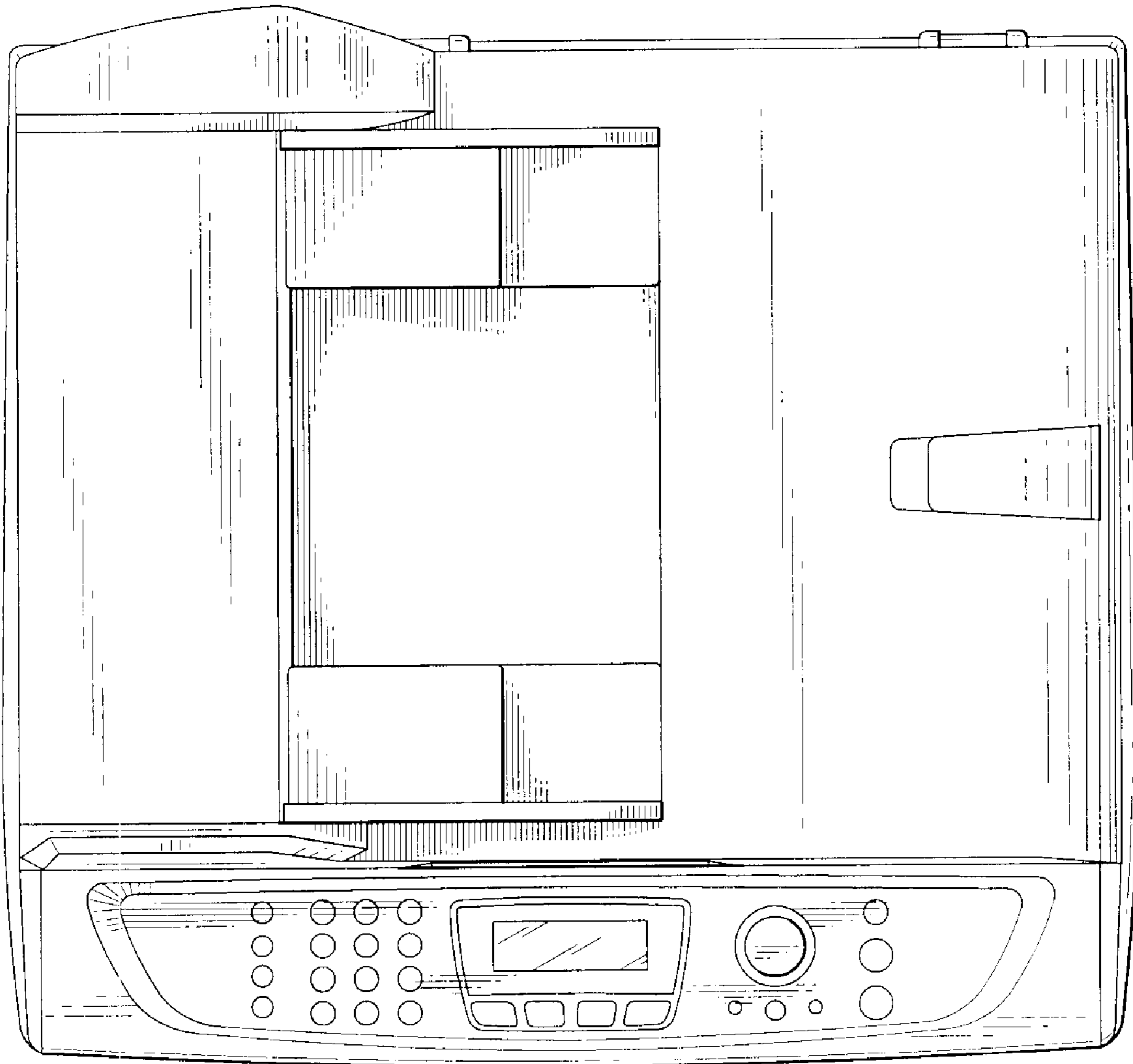


Fig. 2

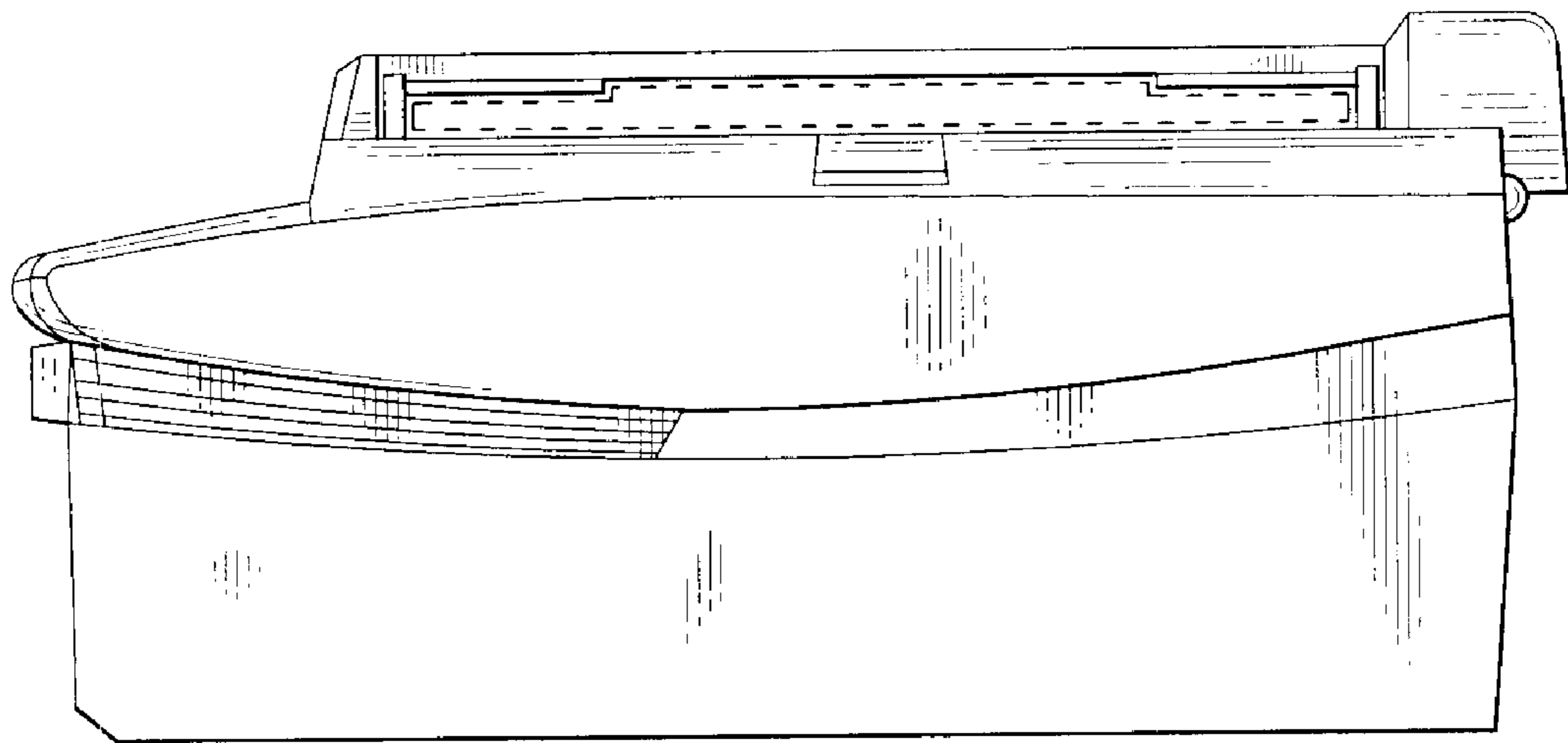


Fig. 3

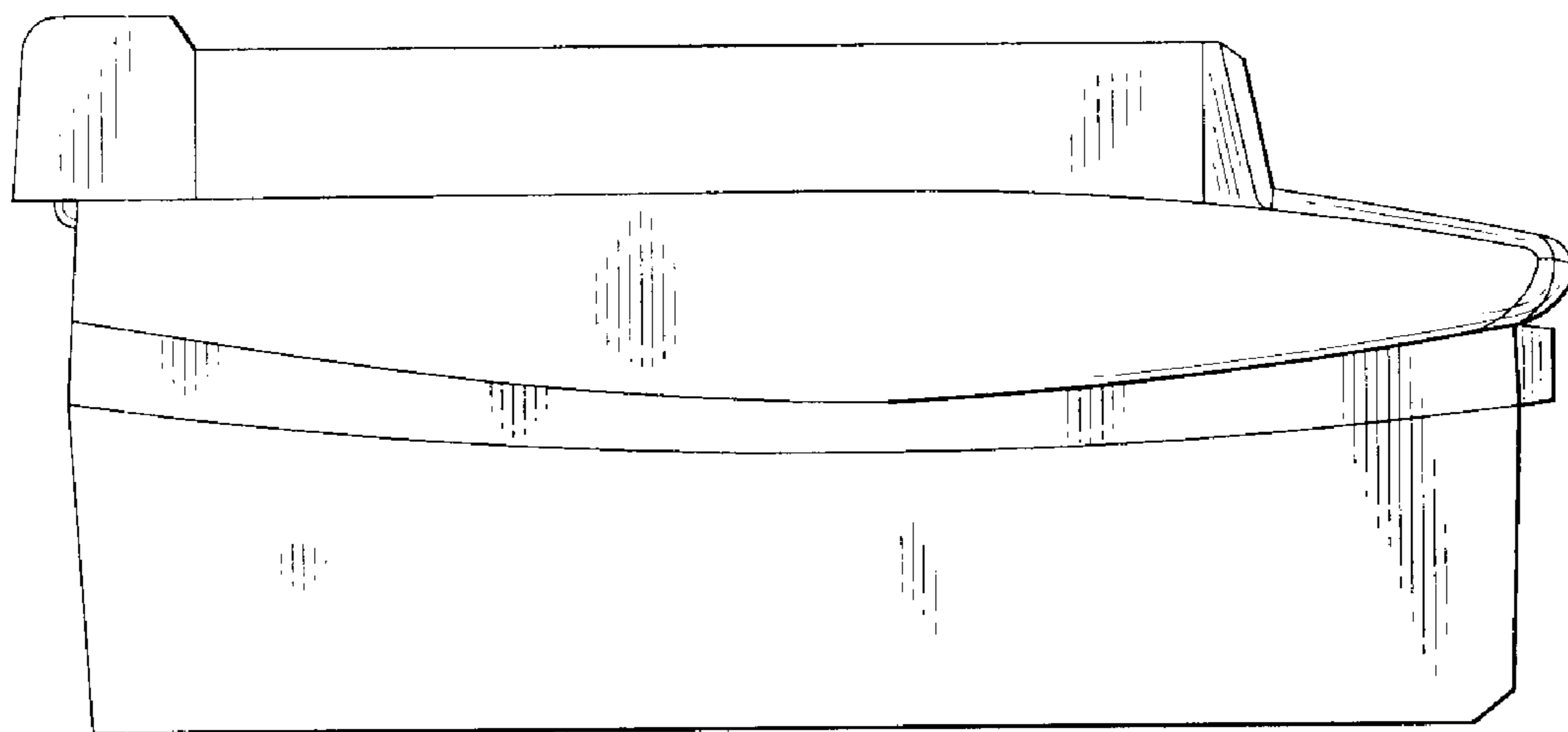


Fig. 4

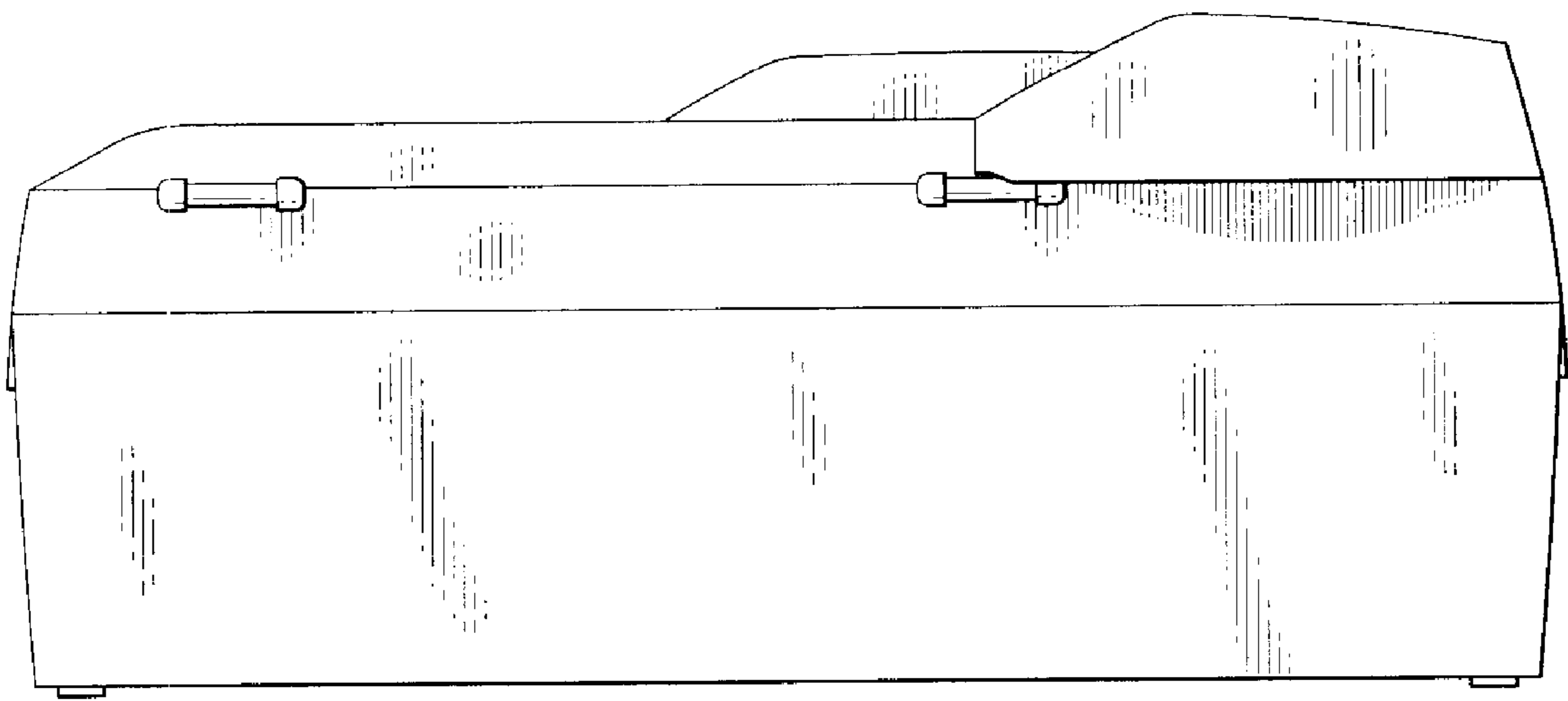


Fig. 5

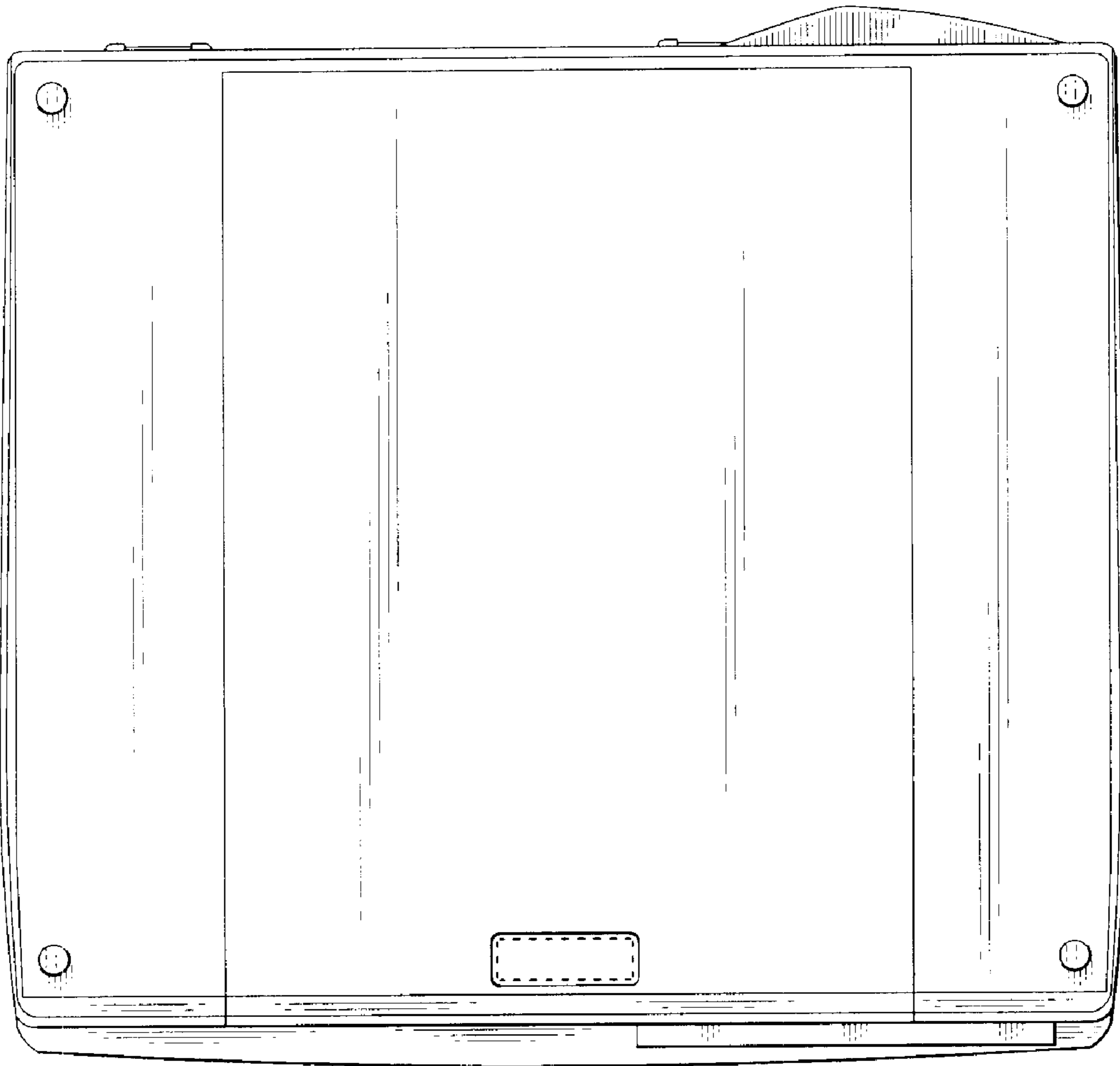


Fig. 6

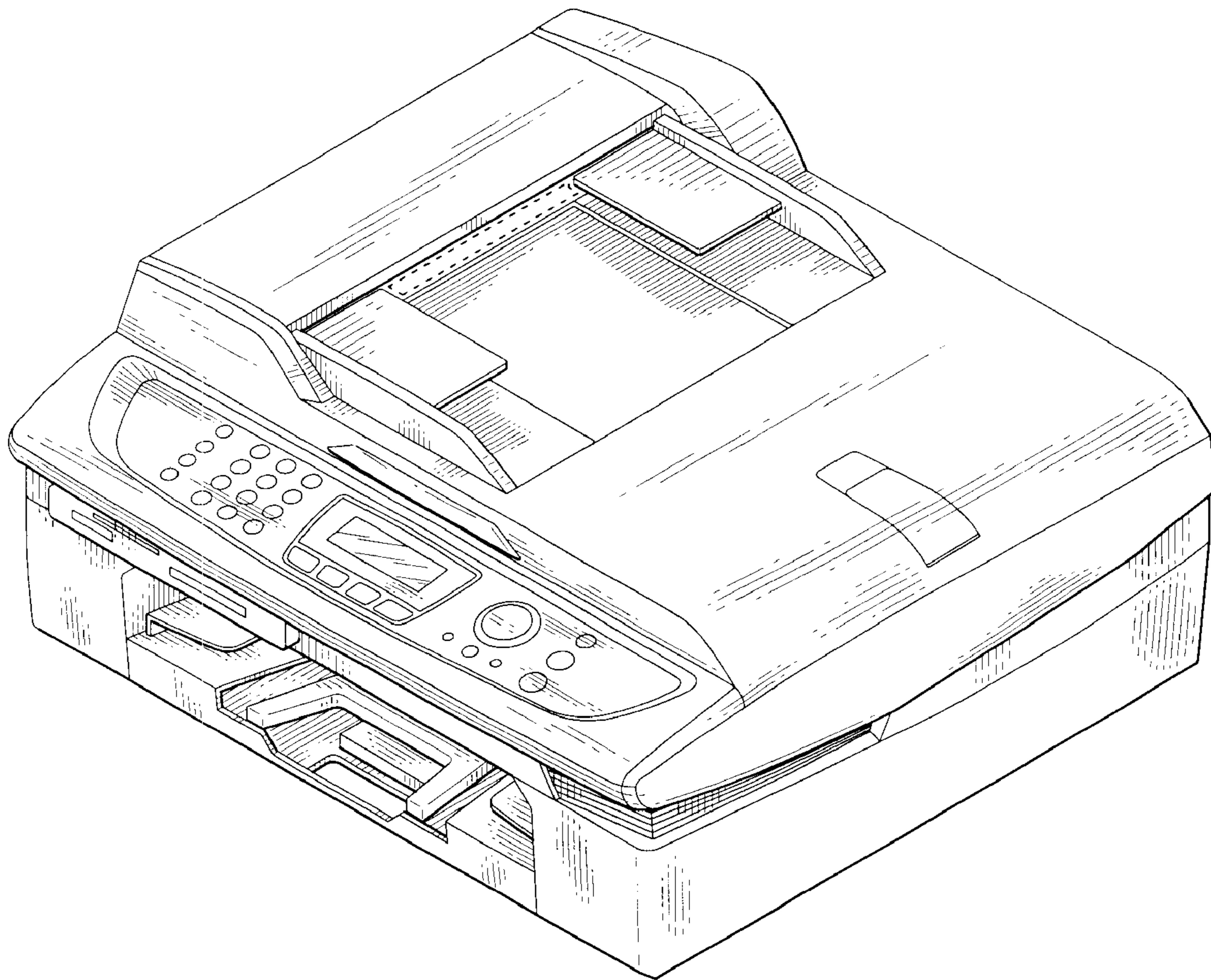


Fig. 7

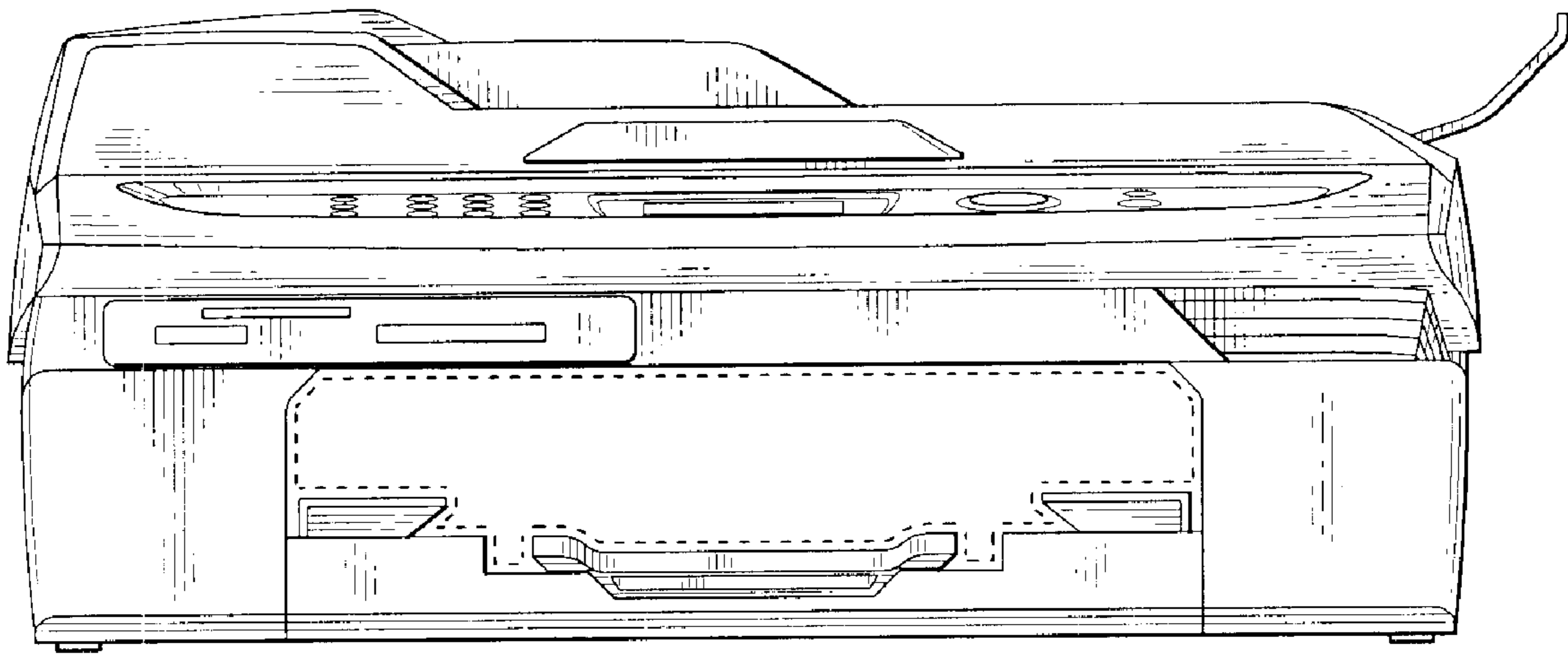


Fig. 8



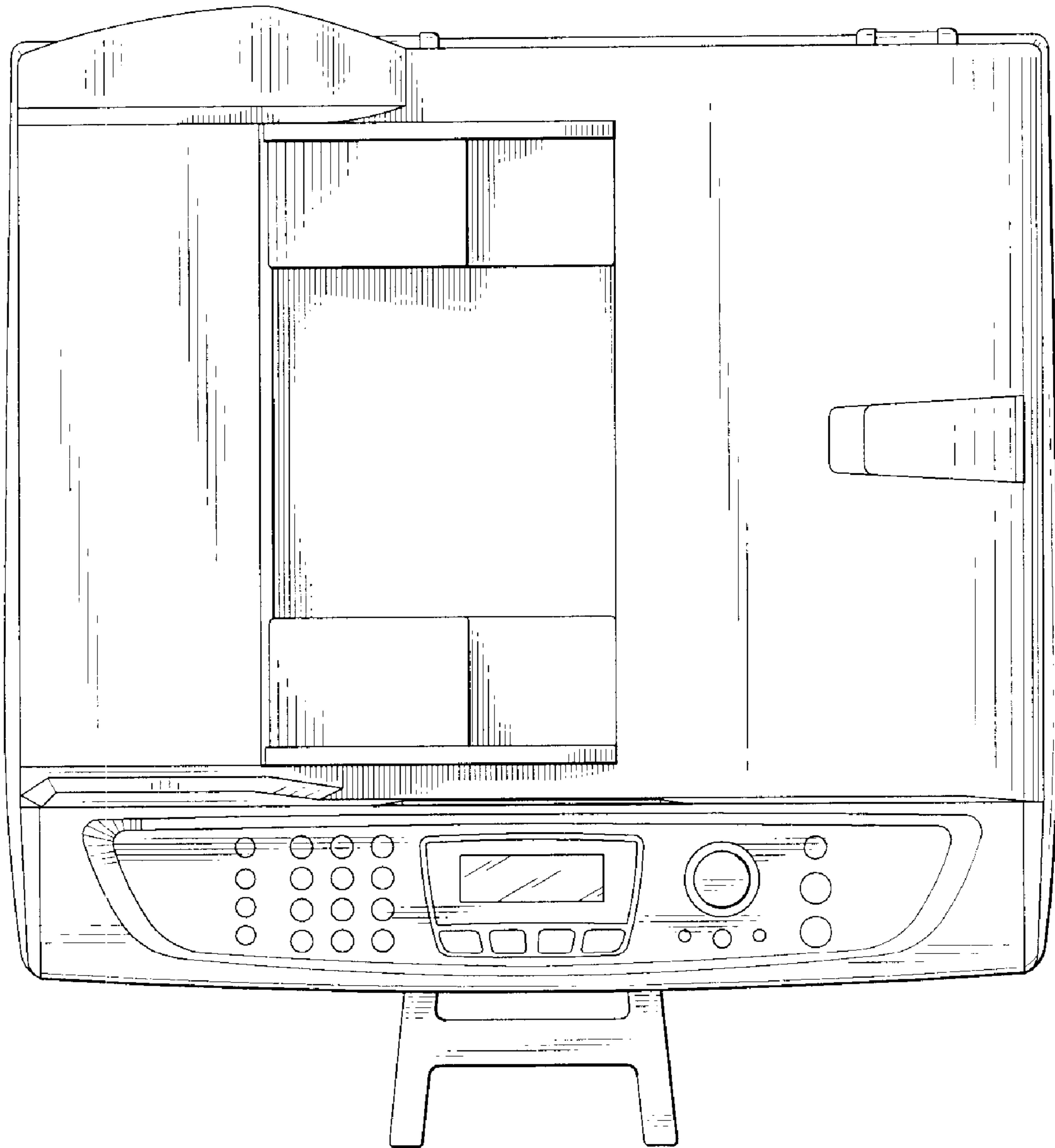


Fig. 9