



US00D528153S

(12) **United States Design Patent**  
**Hattori**

(10) **Patent No.:** **US D528,153 S**

(45) **Date of Patent:** **\*\* Sep. 12, 2006**

(54) **PRINTER**

(75) Inventor: **Mitsuharu Hattori**, Nagoya (JP)

(73) Assignee: **Brother Industries, Ltd.**, Nagoya (JP)

(\*\*) Term: **14 Years**

(21) Appl. No.: **29/204,938**

(22) Filed: **May 7, 2004**

(30) **Foreign Application Priority Data**

Nov. 10, 2003 (JP) ..... 2003-33253

(51) **LOC (8) Cl.** ..... **18-02**

(52) **U.S. Cl.** ..... **D18/54**

(58) **Field of Classification Search** ..... D18/19,  
D18/36-41, 50, 53, 54, 54.1, 55; D14/420-425,  
D14/462-470; 400/613, 613.1-613.4, 690.1-690.4,  
400/691-694

See application file for complete search history.

(56) **References Cited**

**U.S. PATENT DOCUMENTS**

- D427,627 S \* 7/2000 Ikenaga ..... D18/50
- D431,594 S \* 10/2000 Watanabe et al. .... D18/41
- D436,371 S \* 1/2001 Shimamura ..... D18/50

- D440,975 S \* 4/2001 Lin et al. .... D14/425
- D464,656 S \* 10/2002 Lin et al. .... D14/425
- D479,556 S \* 9/2003 Hattori et al. .... D14/464
- D483,802 S \* 12/2003 Hattori ..... D18/50
- D491,219 S \* 6/2004 Shimamura ..... D18/50
- D502,732 S \* 3/2005 Ishigami ..... D18/50

\* cited by examiner

*Primary Examiner*—Louis S. Zarfes

*Assistant Examiner*—Anhdao Doan

(74) *Attorney, Agent, or Firm*—Oliff & Berridge, PLLC

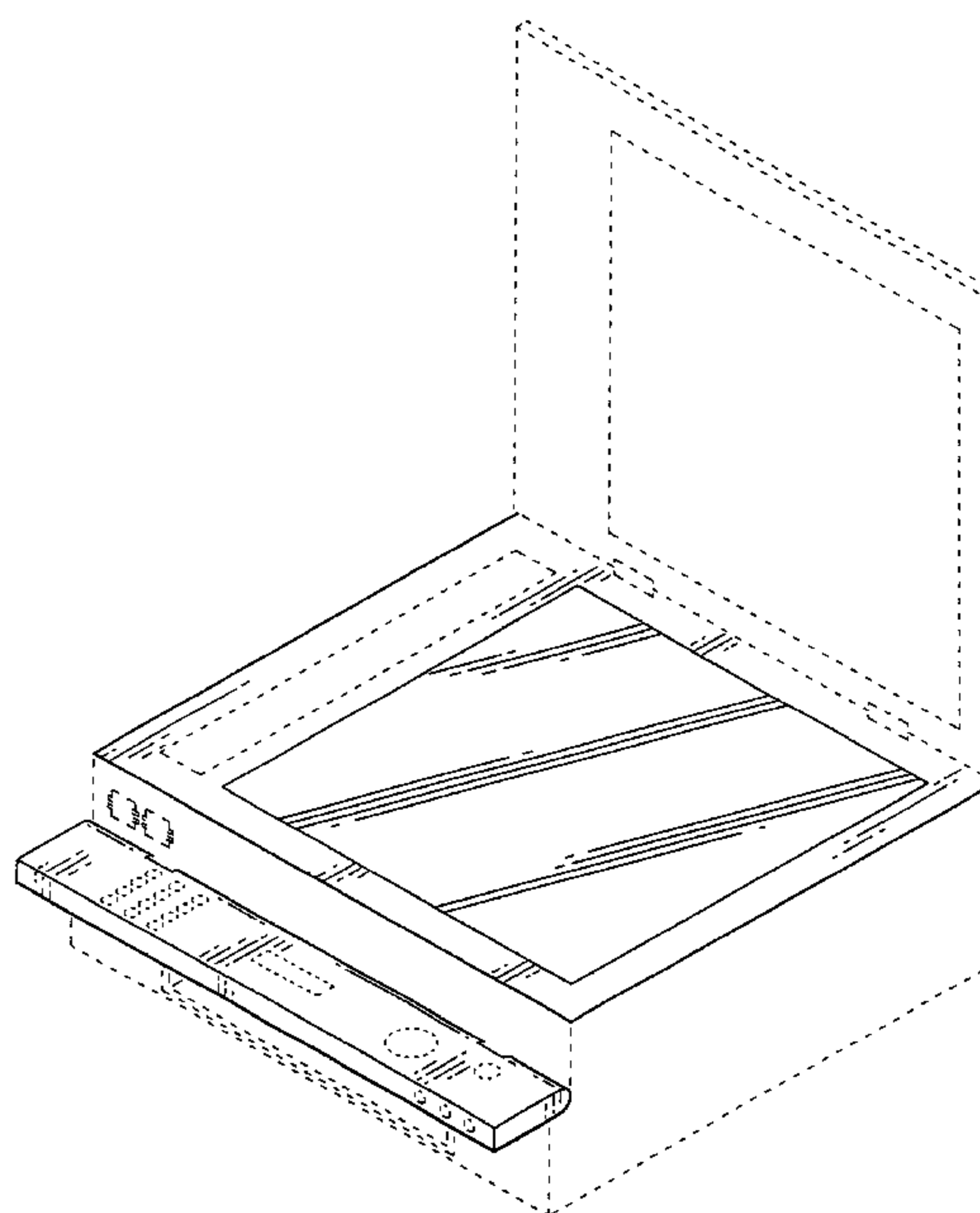
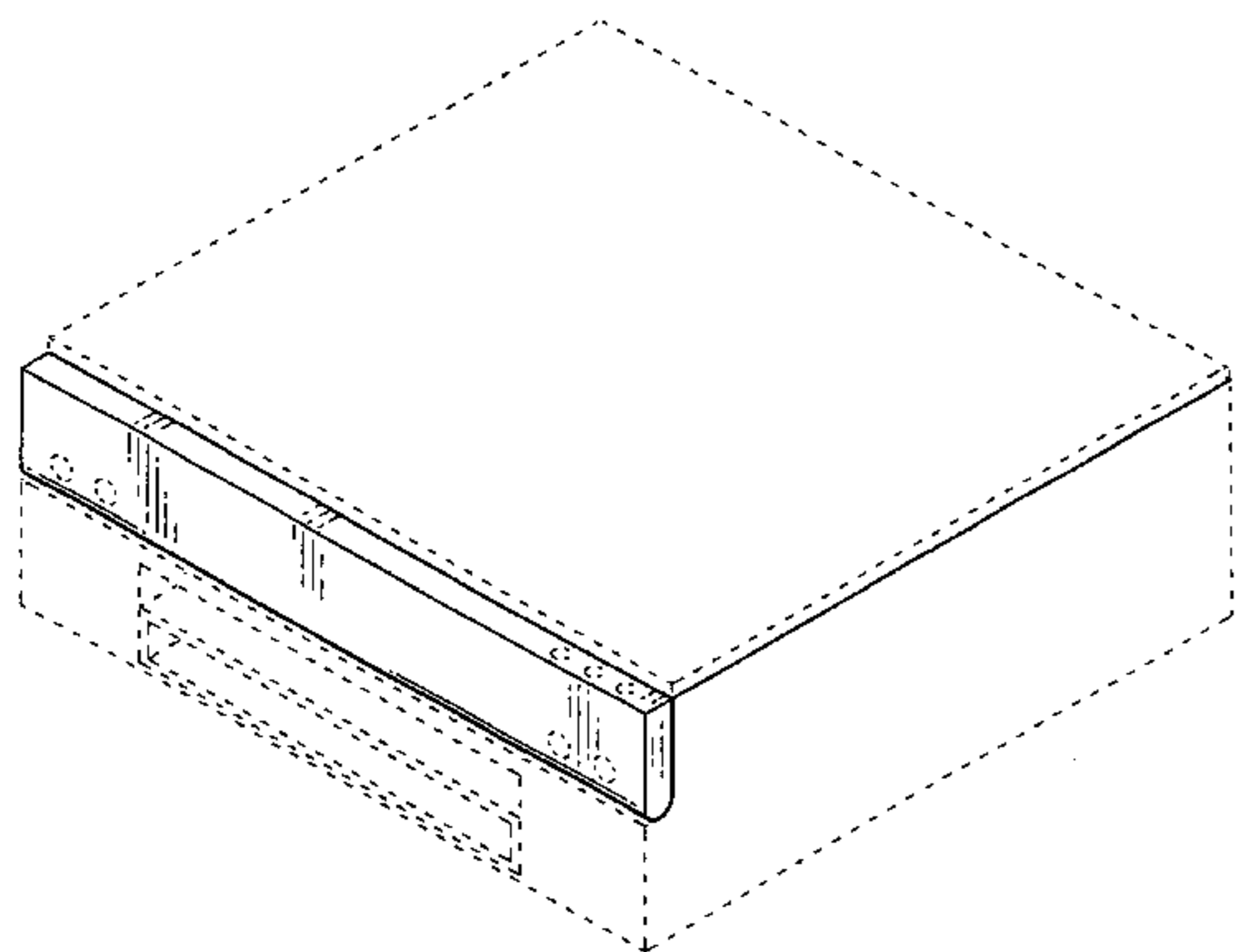
(57) **CLAIM**

The ornamental design for a printer, as shown and described.

**DESCRIPTION**

FIG. 1 is a front view of a printer;  
 FIG. 2 is a top view thereof;  
 FIG. 3 is a right-side view thereof;  
 FIG. 4 is a left-side view thereof;  
 FIG. 5 is a rear view thereof;  
 FIG. 6 is a perspective view thereof; and,  
 FIG. 7 is a perspective view like FIG. 6 with a scanner cover  
 and control panel in open positions.  
 The broken line showing is for illustrative purposes only and  
 does not form part of the claimed design.

**1 Claim, 4 Drawing Sheets**



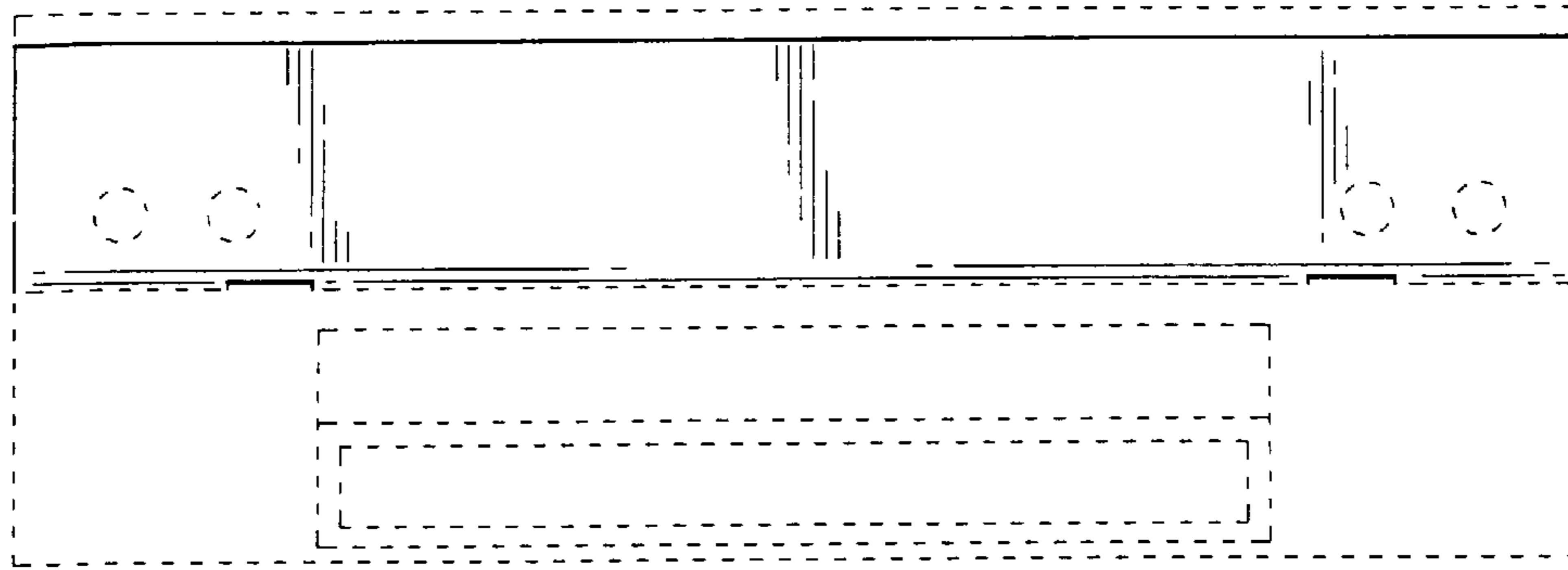


Fig. 1

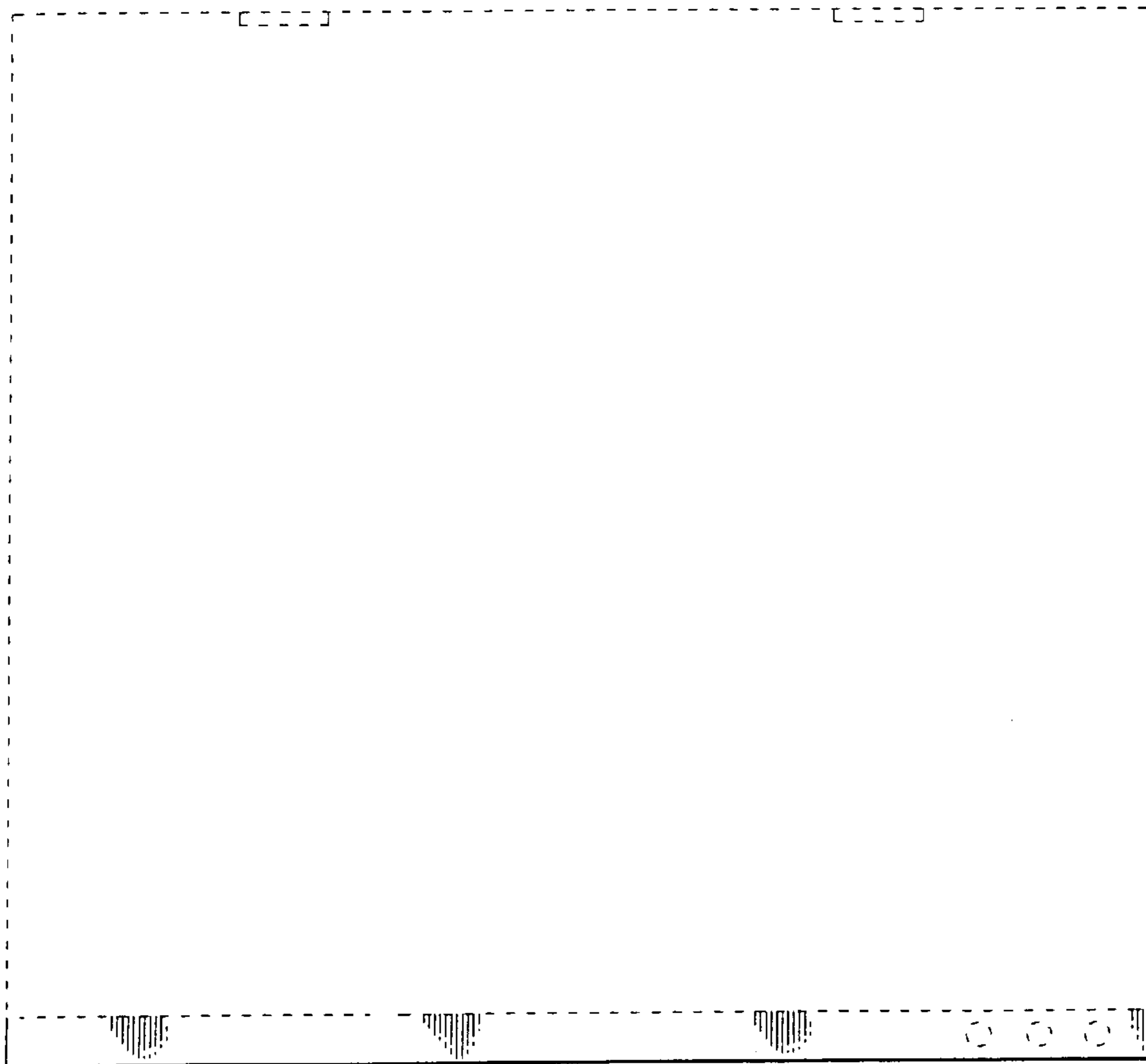


Fig. 2

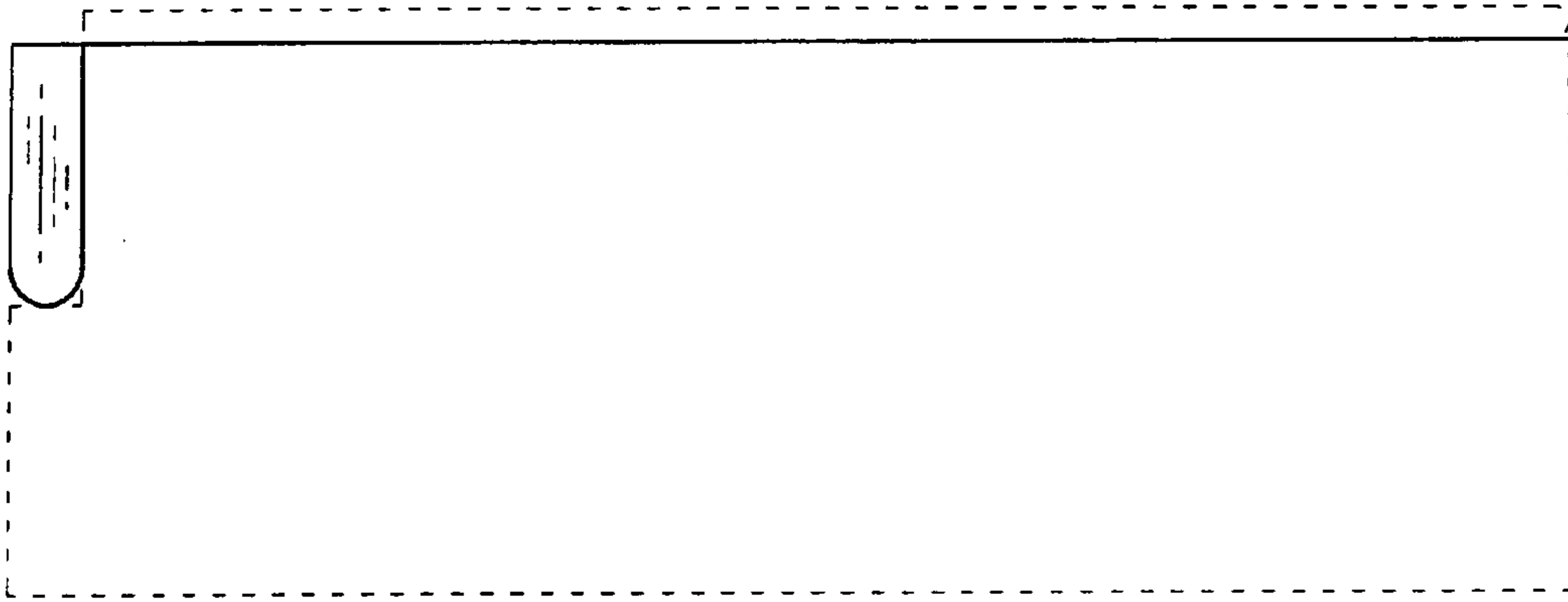


Fig. 3

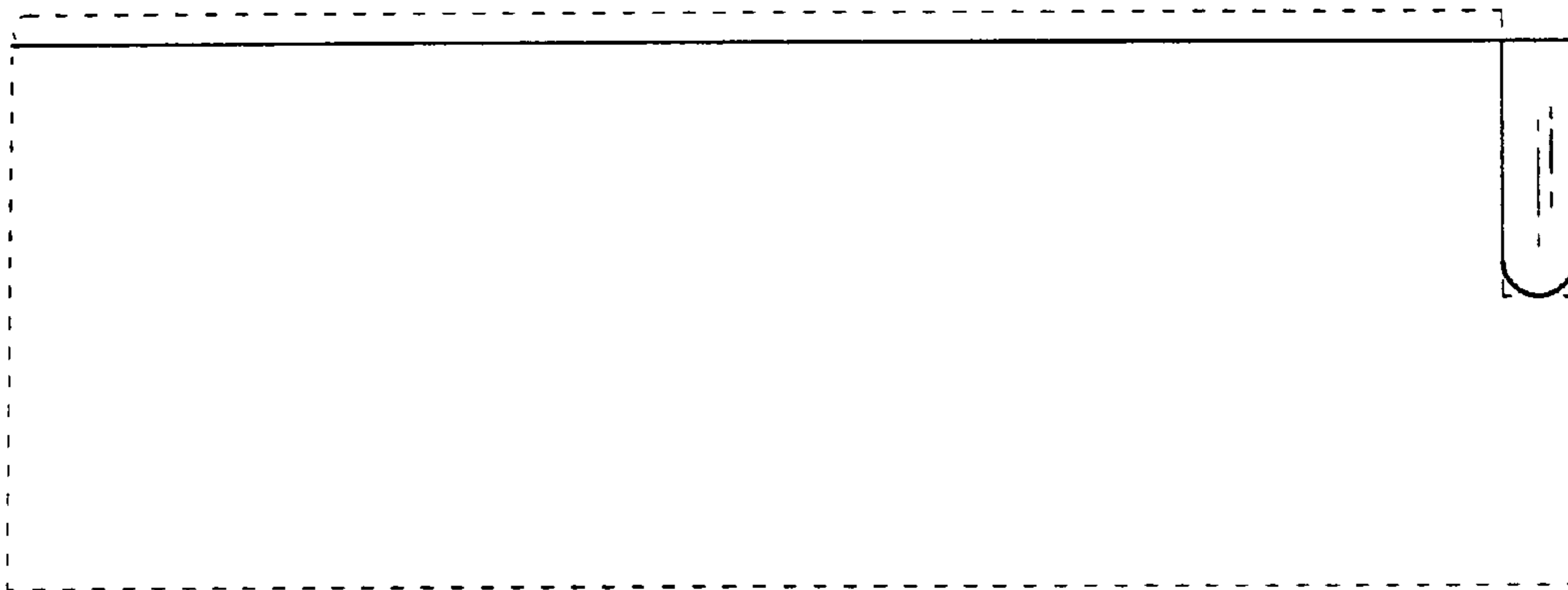


Fig. 4

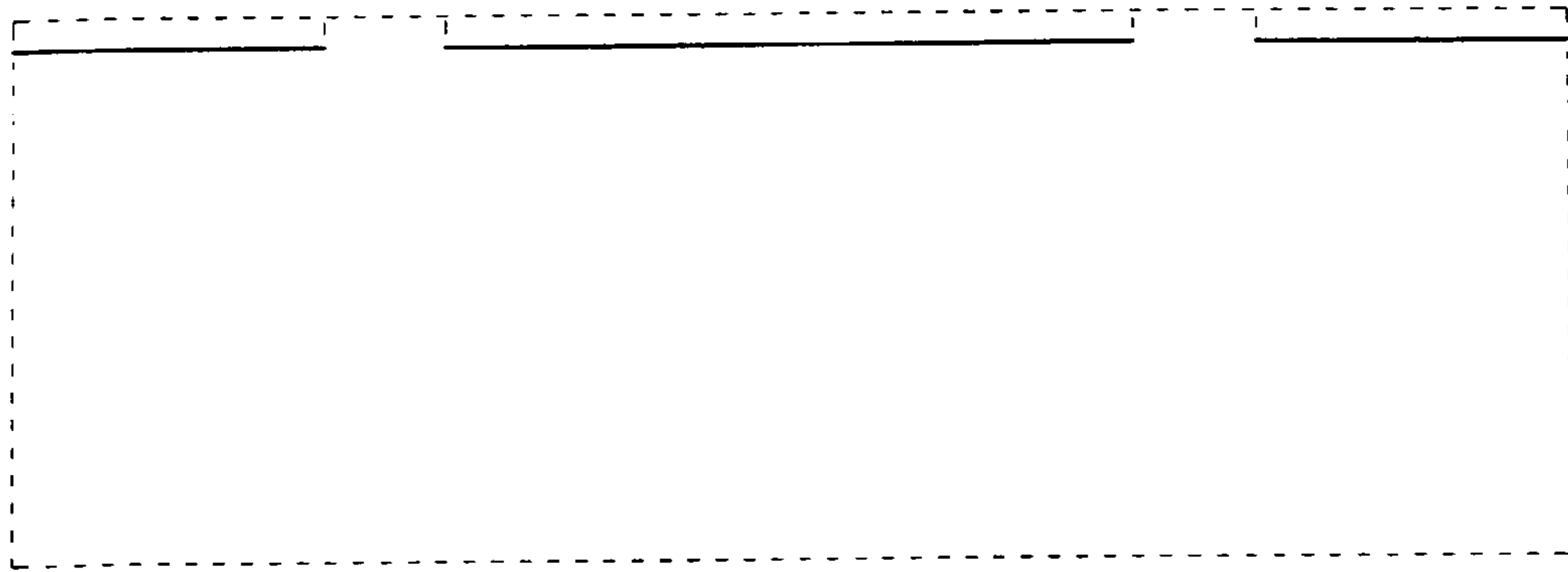


Fig. 5

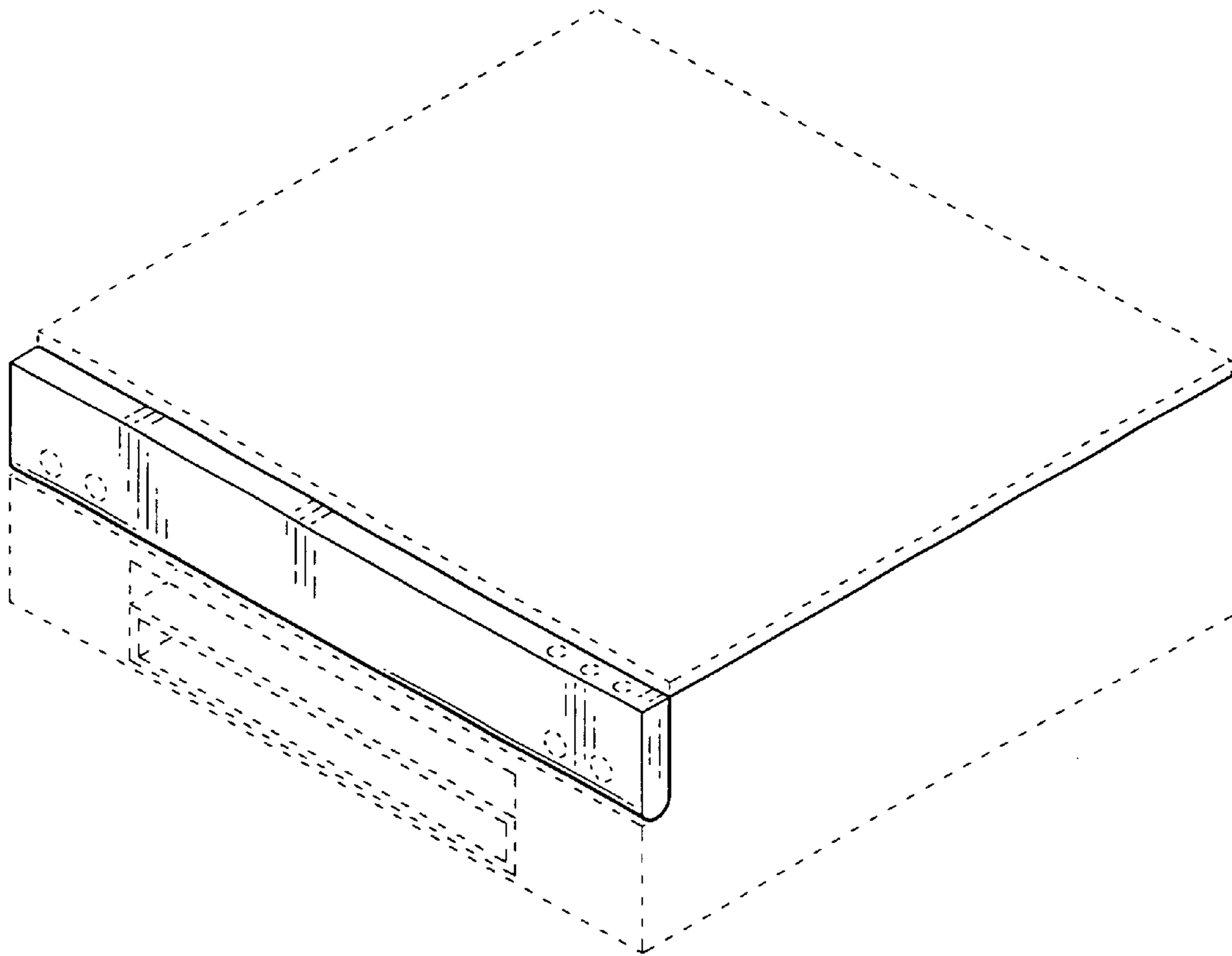


Fig. 6

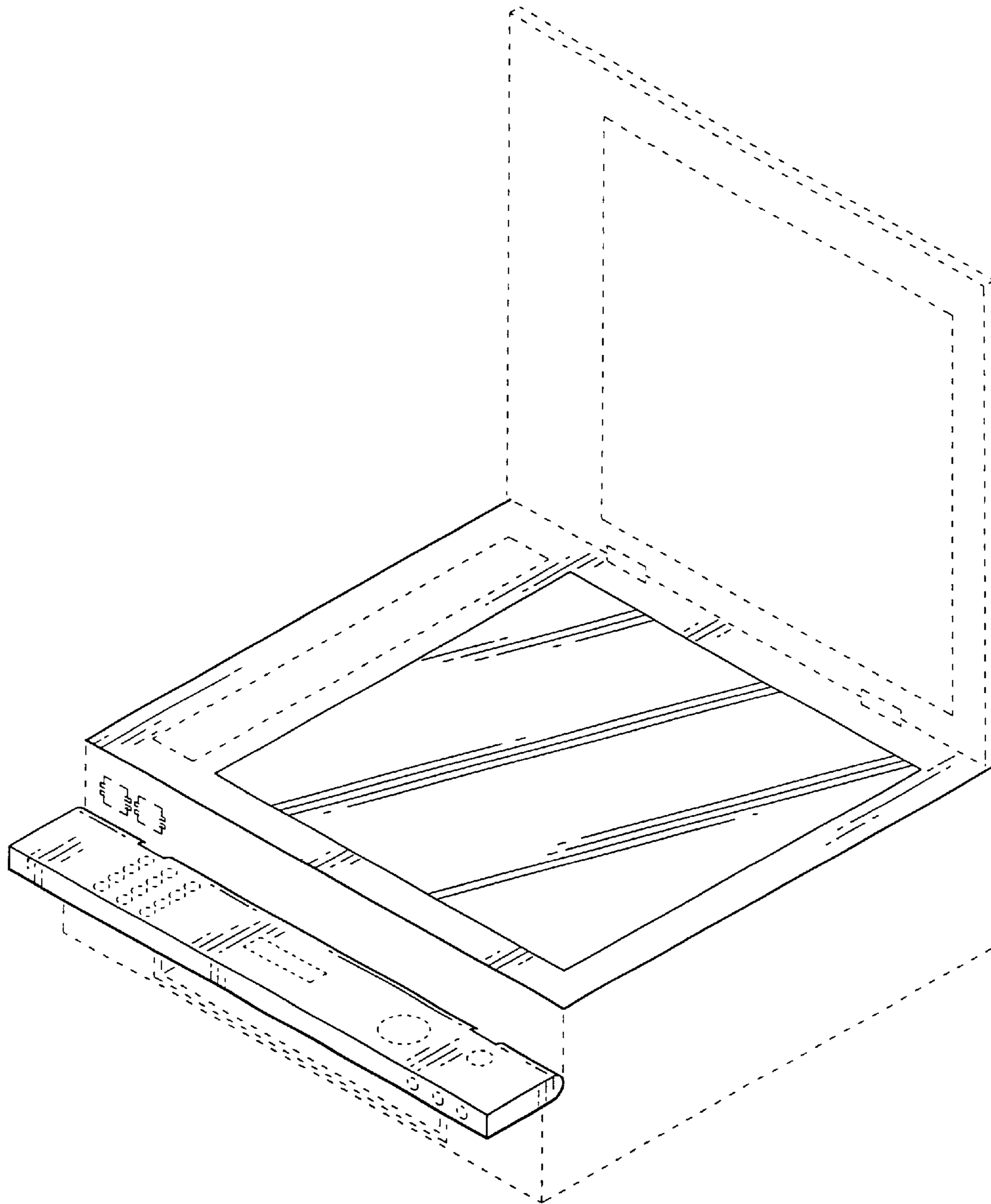


Fig. 7