

US00D528151S

(12) **United States Design Patent**
Hattori

(10) **Patent No.:** **US D528,151 S**

(45) **Date of Patent:** **** Sep. 12, 2006**

(54) **TAPE PRINTING MACHINE FOR
COMPUTER**

(75) Inventor: **Satoru Hattori**, Nagoya (JP)

(73) Assignee: **Brother Industries, Ltd.**, Nagoya (JP)

(**) Term: **14 Years**

(21) Appl. No.: **29/187,984**

(22) Filed: **Aug. 12, 2003**

(30) **Foreign Application Priority Data**

Mar. 17, 2003 (JP) 2003-006983

(51) **LOC (8) Cl.** **14-02**

(52) **U.S. Cl.** **D18/50**

(58) **Field of Classification Search** D18/14,
D18/19, 21, 36-39, 53-54, 54.1, 55; D14/420-425,
D14/462-470; 400/613, 613.1-613.4, 690.1-690.4,
400/691-694

See application file for complete search history.

(56) **References Cited**

U.S. PATENT DOCUMENTS

- D175,496 S * 9/1955 Davidson et al. D18/21
- D193,366 S * 8/1962 Mox D18/21
- D343,410 S * 1/1994 Sekiguchi D18/50
- 5,387,043 A * 2/1995 Fujioka et al. 400/691
- D362,673 S * 9/1995 Yamamoto D18/19

- 5,583,352 A * 12/1996 McIntyre et al. 257/186
- 6,113,294 A * 9/2000 Niwa 400/613
- 6,234,696 B1 * 5/2001 Whittaker 400/613
- D444,494 S * 7/2001 Shimoki et al. D18/19
- D461,842 S * 8/2002 Hattori D18/19
- 6,572,290 B1 * 6/2003 McCleave et al. 400/693
- 2002/0070258 A1 * 6/2002 LeMoine et al. 226/120

* cited by examiner

Primary Examiner—Cathy Anne MacCormac

(74) *Attorney, Agent, or Firm*—Oliff & Berridge, PLC

(57) **CLAIM**

The ornamental design for tape printing machine for computer, as shown and described.

DESCRIPTION

FIG. 1 is a front view of a tape printing machine for computer;

FIG. 2 is a rear view thereof;

FIG. 3 is a left-side view thereof;

FIG. 4 is a right-side view thereof;

FIG. 5 is a top view thereof;

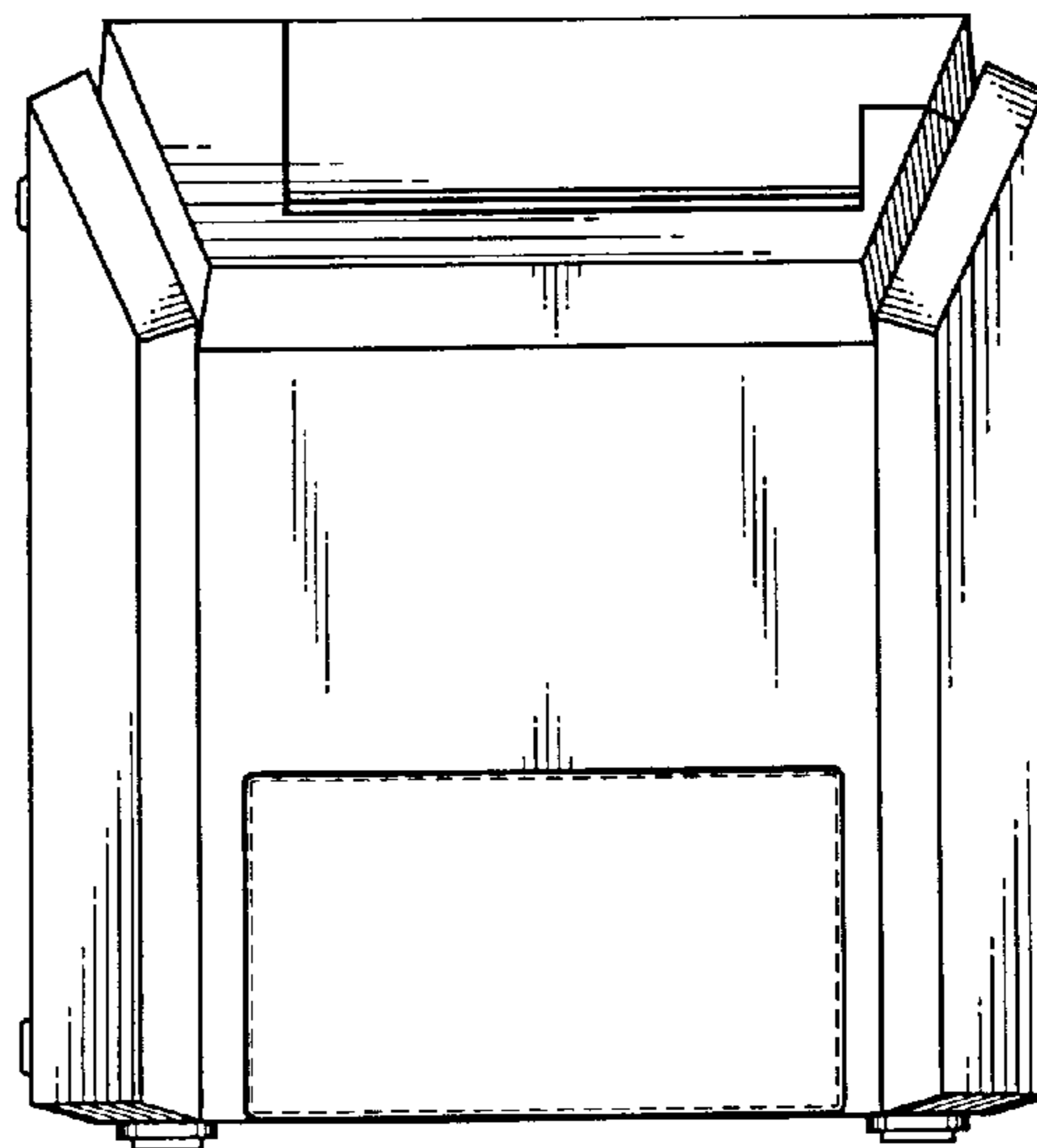
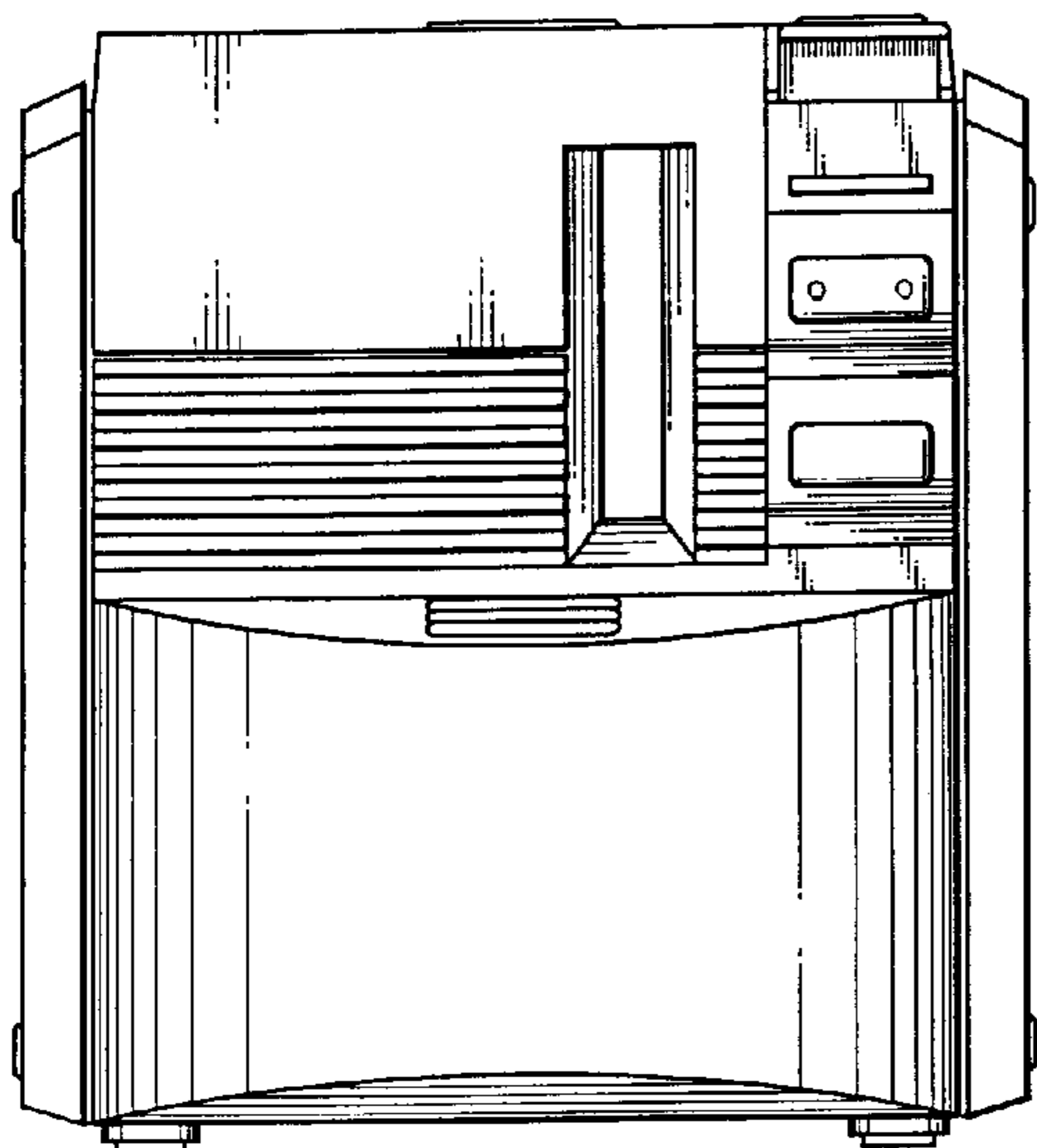
FIG. 6 is a bottom view thereof;

FIG. 7 is a front perspective view thereof; and,

FIG. 8 is a rear perspective view thereof.

The broken line showing is for illustrative purposes only and does not form part of the claimed design.

1 Claim, 6 Drawing Sheets



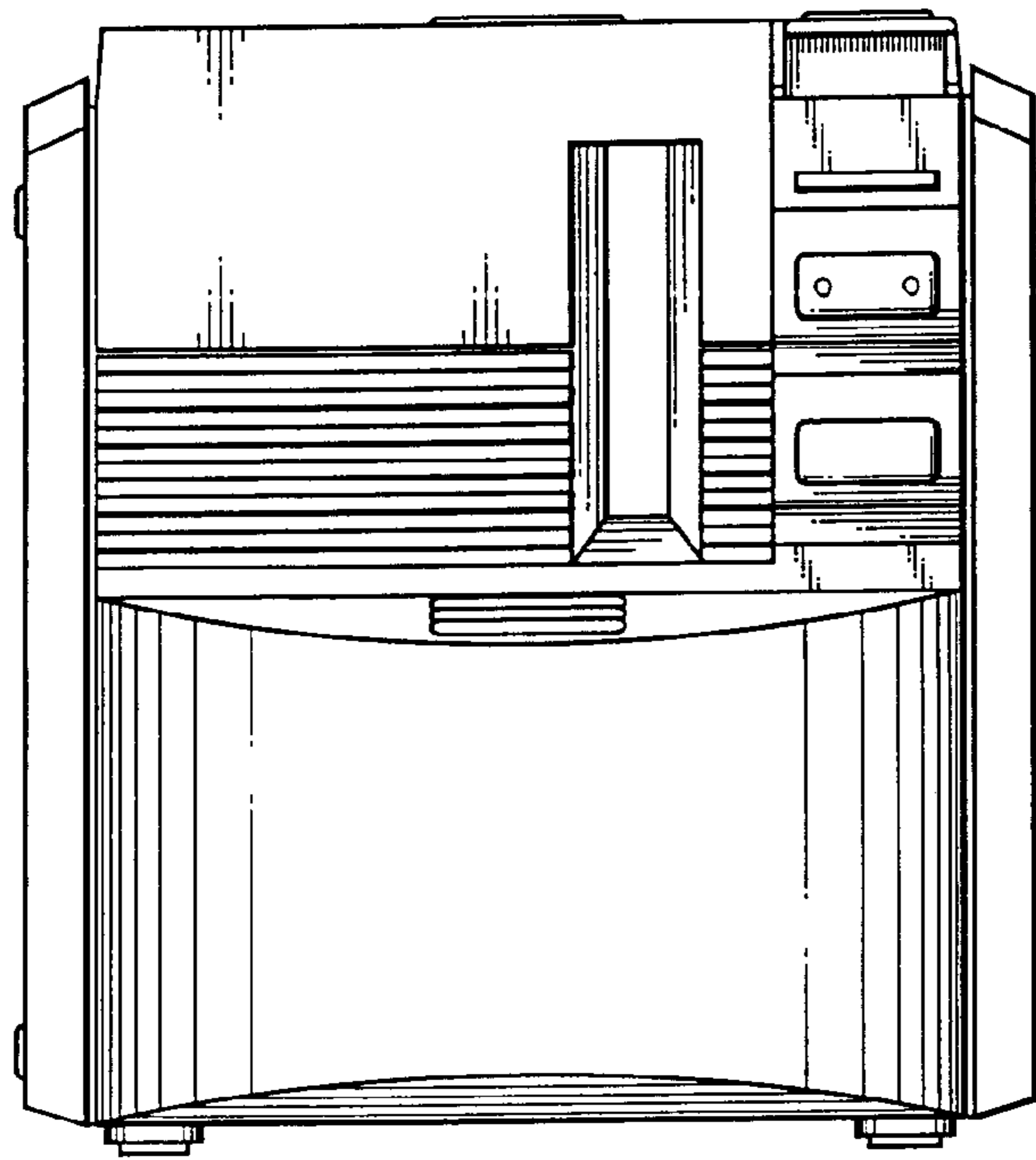


Fig. 1

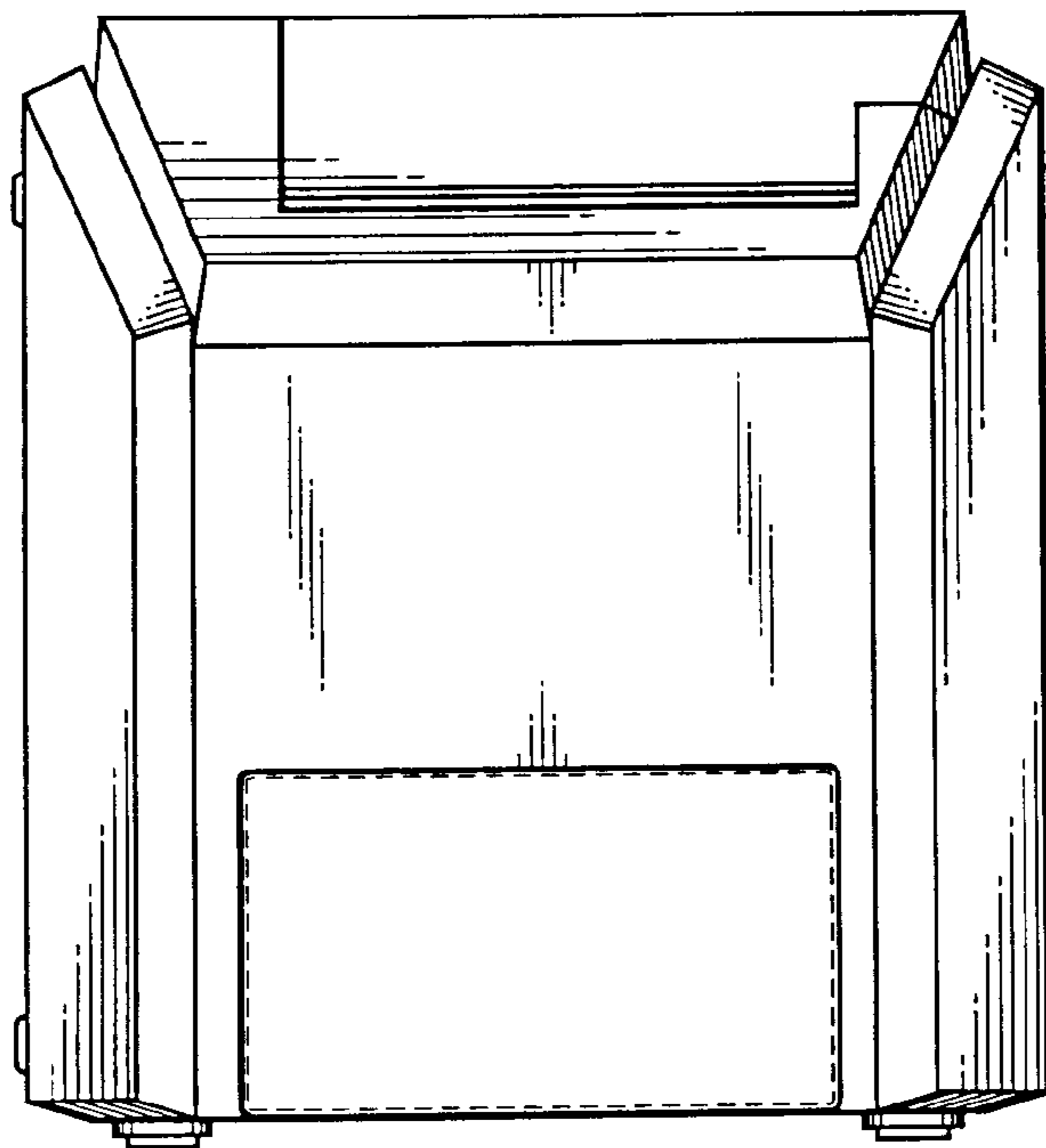


Fig. 2

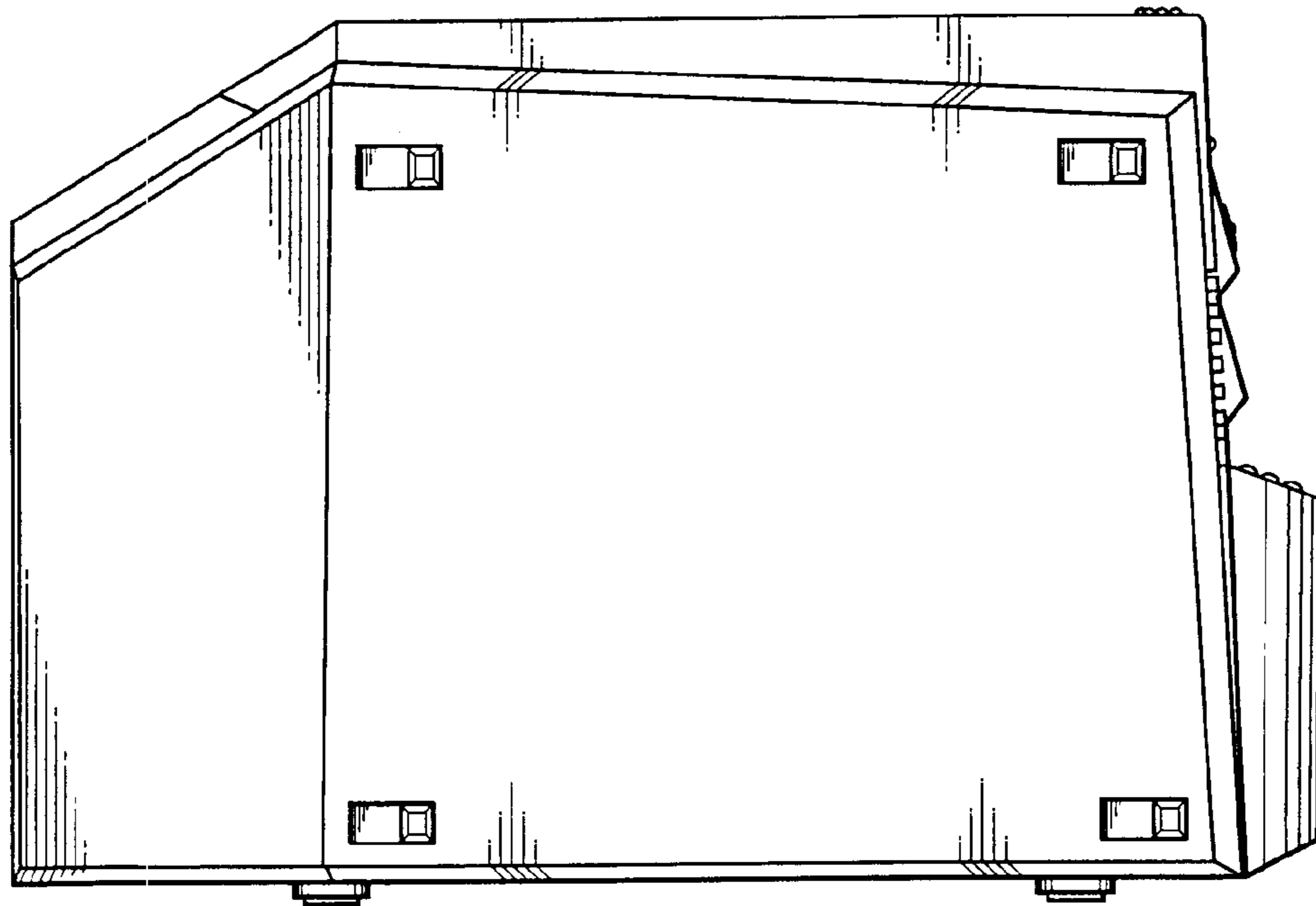


Fig. 3

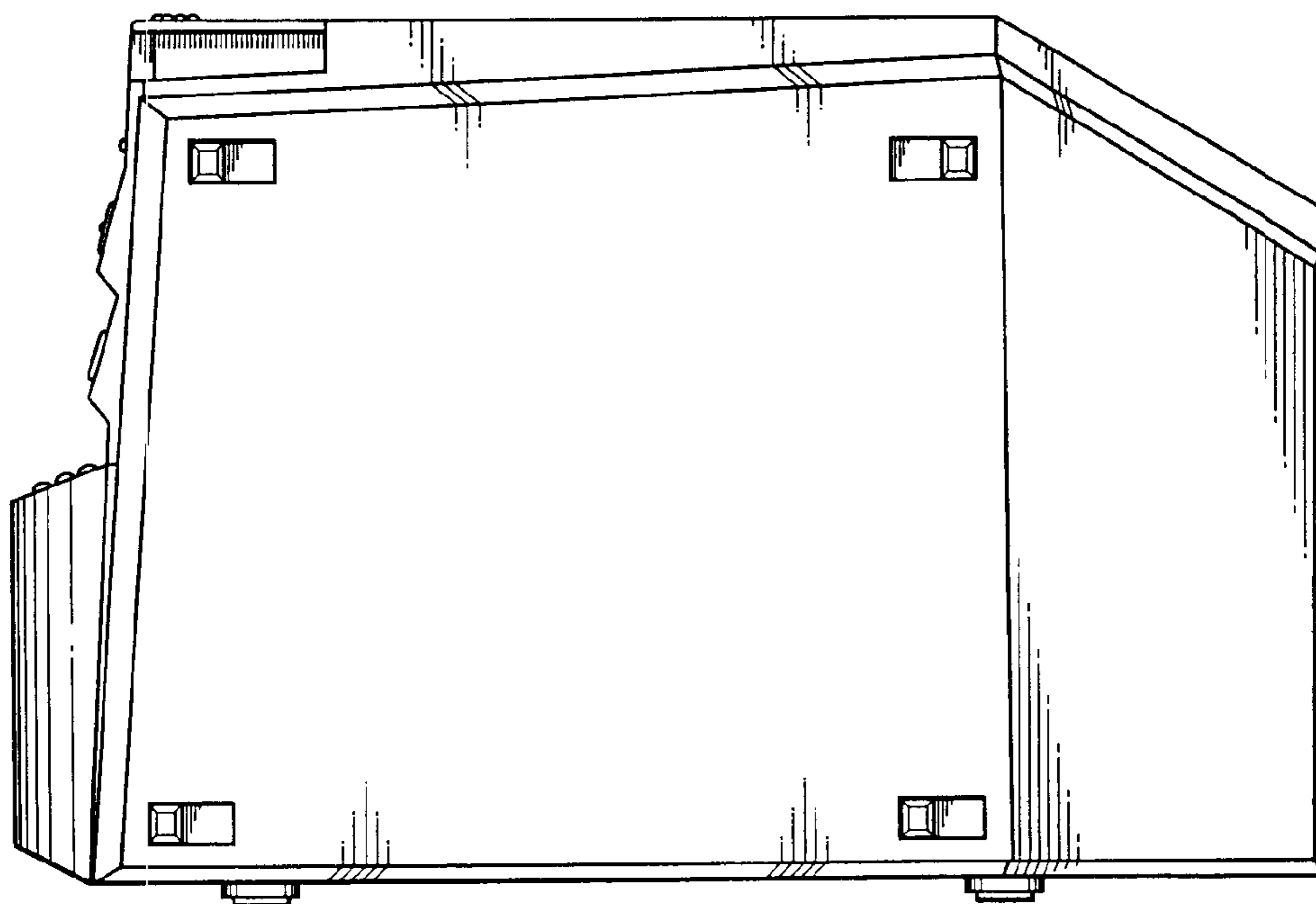


Fig. 4

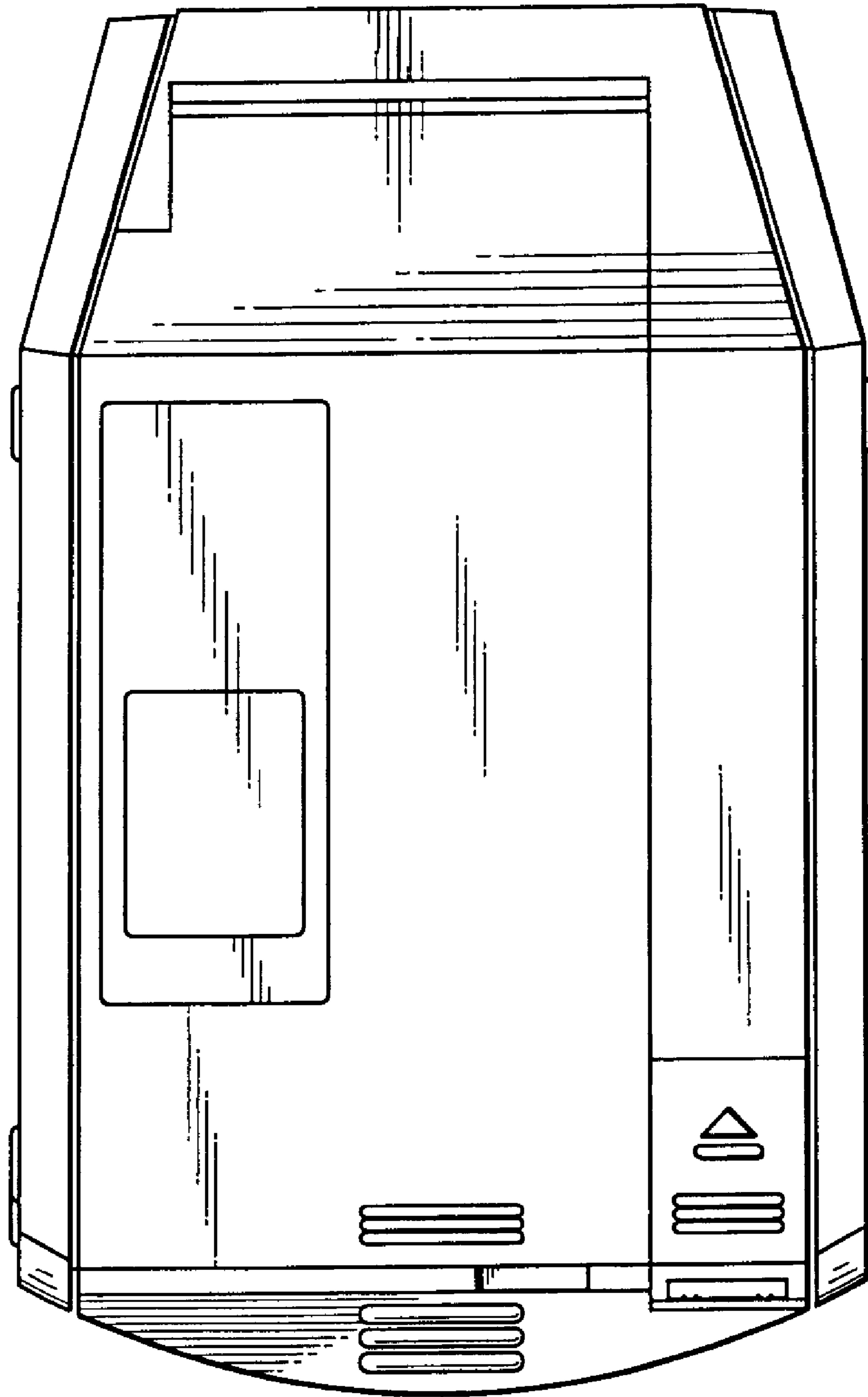


Fig. 5

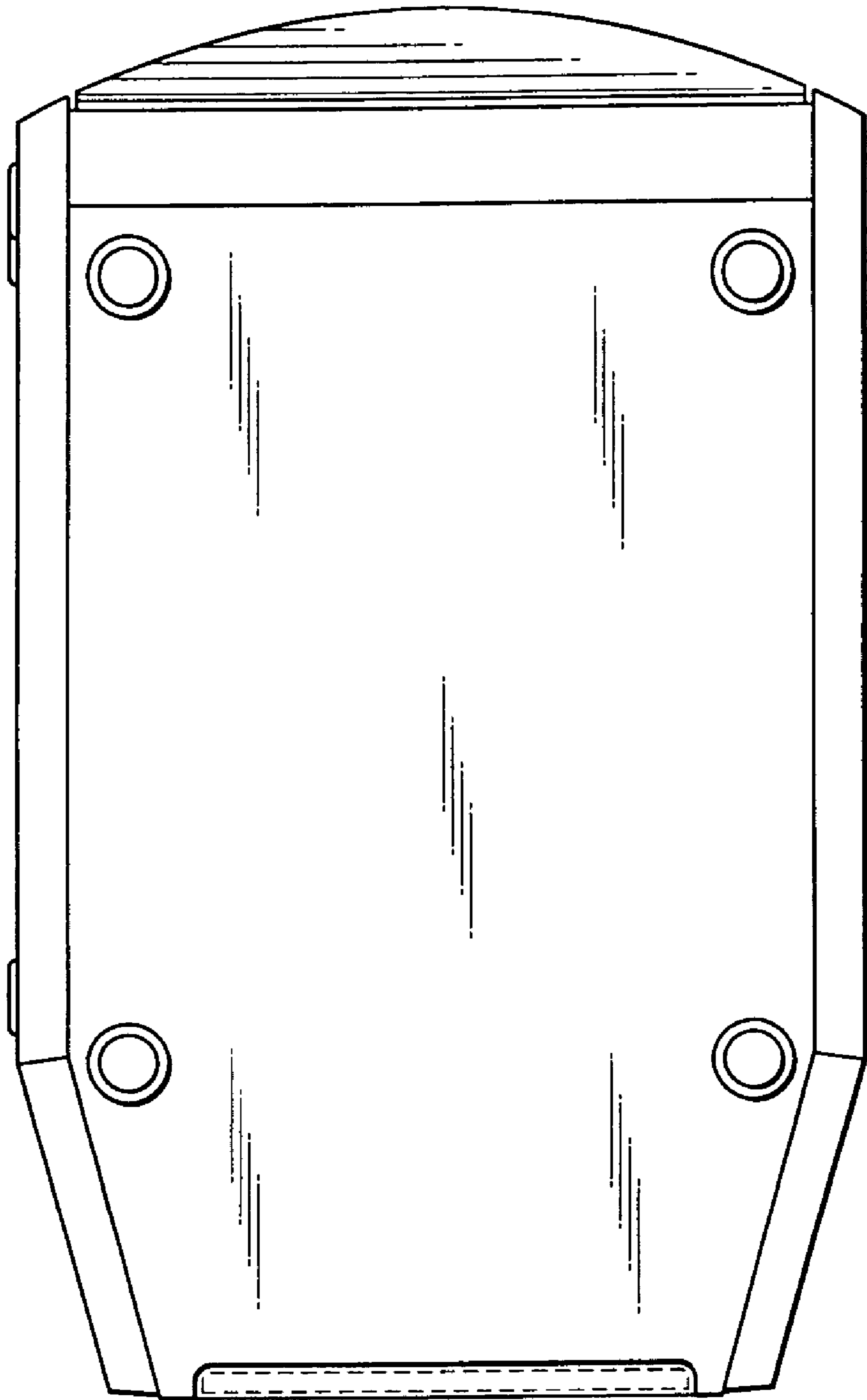


Fig. 6

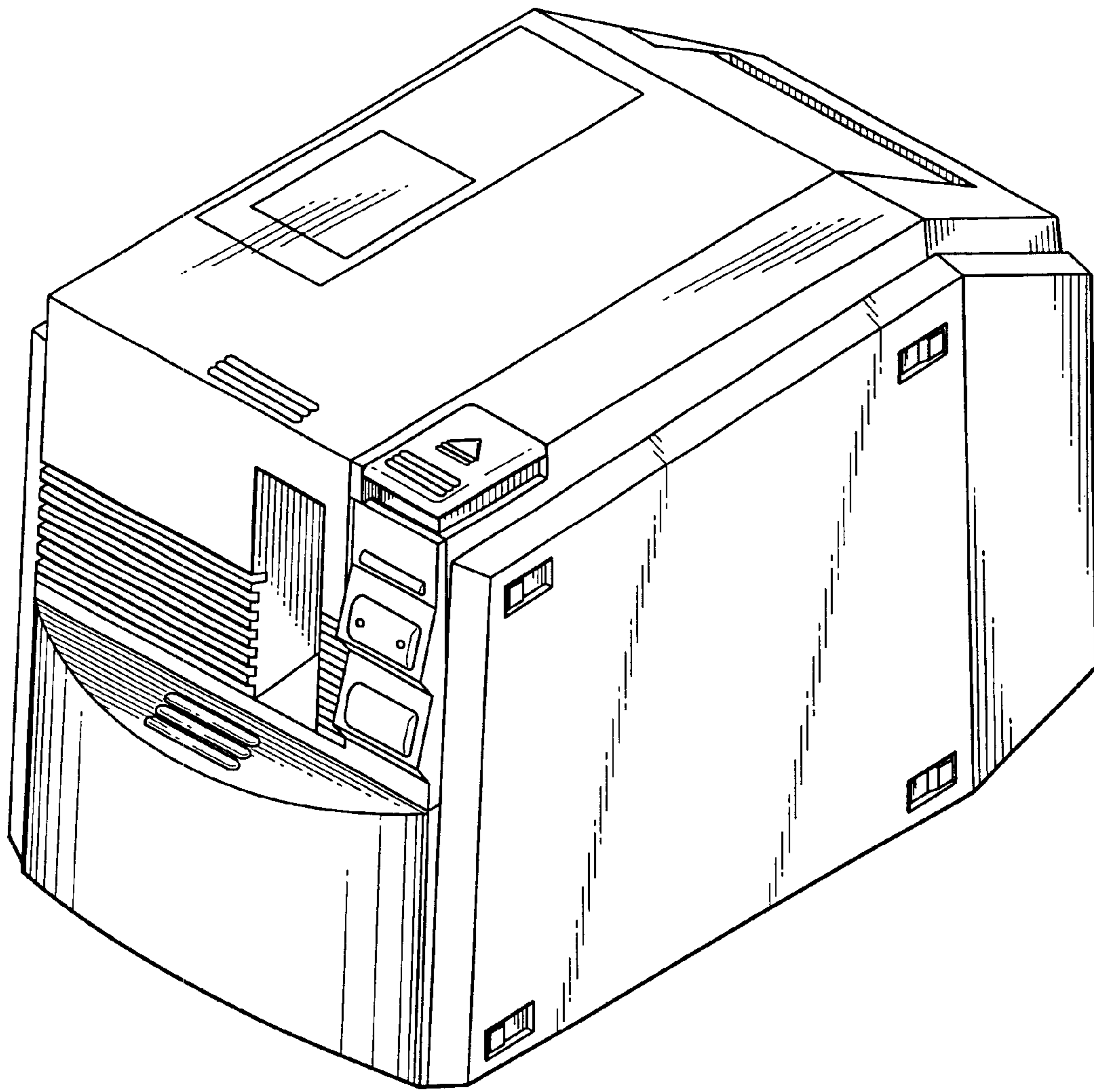


Fig. 7

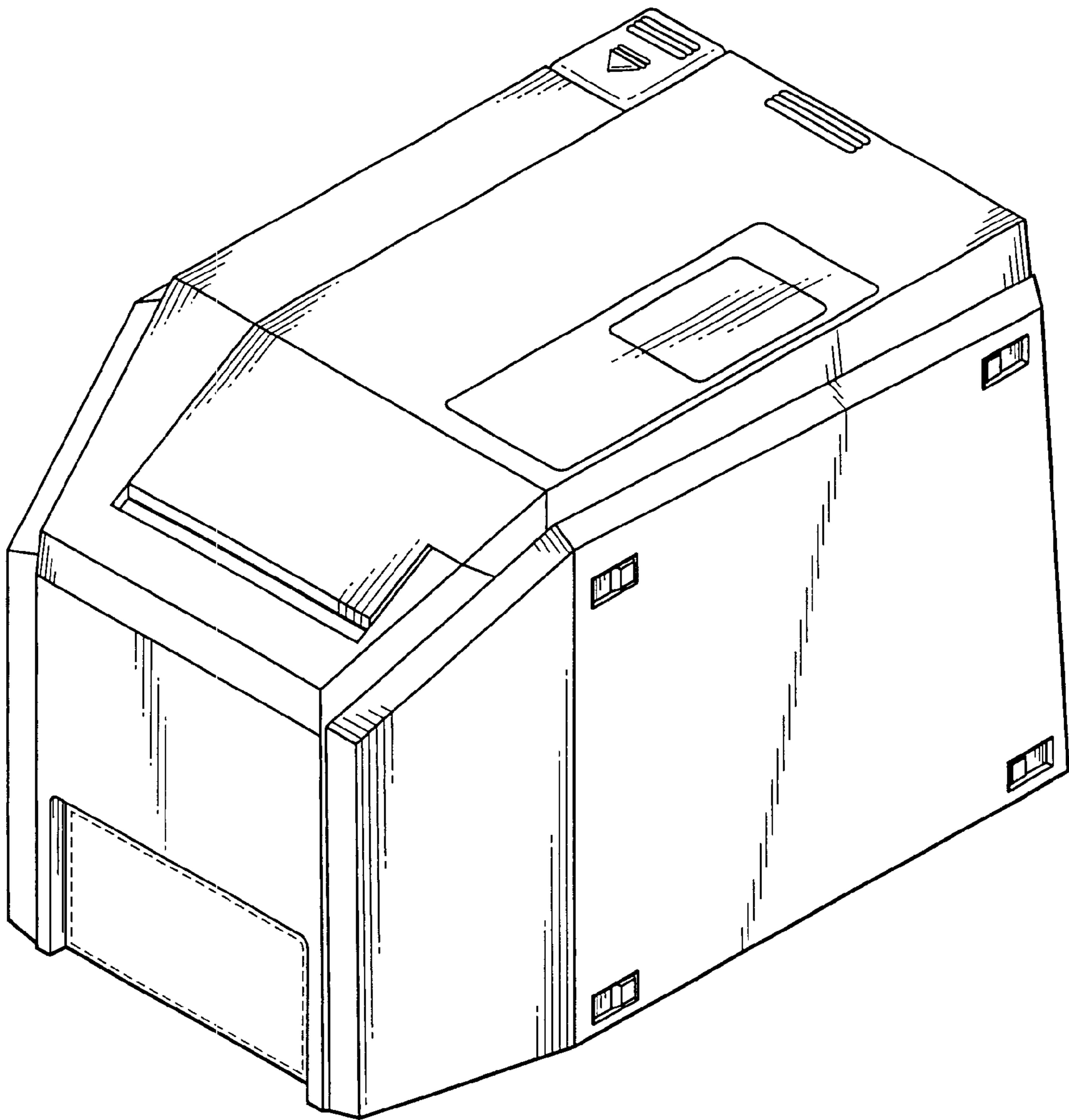


Fig. 8