



US00D528150S

(12) **United States Design Patent** (10) **Patent No.:** **US D528,150 S**
Asada et al. (45) **Date of Patent:** **** Sep. 12, 2006**

(54) **PAPER FEED CASSETTE**

(75) Inventors: **Tetsuo Asada**, Kuwana (JP); **Yukio Shiohara**, Nagoya (JP)

(73) Assignee: **Brother Industries, Ltd.**, Nagoya (JP)

(**) Term: **14 Years**

(21) Appl. No.: **29/210,849**

(22) Filed: **Aug. 9, 2004**

(30) **Foreign Application Priority Data**

Apr. 13, 2004 (JP) 2004-011393

(51) **LOC (8) Cl.** **18-99**

(52) **U.S. Cl.** **D18/49**

(58) **Field of Classification Search** D18/36-41,
D18/43-49, 56; D14/462-471; 222/DIG. 1;
355/97, 112; 399/16-23, 361, 363, 381-384,
399/388-391, 393; 271/3.02, 3.08, 18, 145,
271/160, 171, 226, 241, 264

See application file for complete search history.

(56) **References Cited**

U.S. PATENT DOCUMENTS

- 4,025,187 A * 5/1977 Taylor et al. 399/21
- D293,334 S * 12/1987 Humbert D18/56
- 5,154,413 A * 10/1992 Boughton et al. 271/226
- 5,163,670 A * 11/1992 Sellers et al. 271/160
- 5,419,544 A * 5/1995 Ono et al. 271/160
- 5,938,192 A * 8/1999 Kosasa 271/3.02
- 6,152,440 A * 11/2000 Yip et al. 271/171
- 6,206,367 B1 * 3/2001 Jo 271/264
- 6,209,861 B1 * 4/2001 Kakuta et al. 271/3.02
- D480,753 S * 10/2003 Oleson D18/56

- D494,216 S * 8/2004 Yan D18/56
- 2002/0141800 A1 * 10/2002 Fuchi et al. 399/388
- 2004/0188922 A1 * 9/2004 Takahashi et al. 271/145
- 2005/0074266 A1 * 4/2005 Hiramoto et al. 399/391
- 2005/0111895 A1 * 5/2005 Bowen et al. 399/383
- 2005/0242486 A1 * 11/2005 Lee et al. 271/121

* cited by examiner

Primary Examiner—Caron Veynar

Assistant Examiner—Garth Rademaker

(74) *Attorney, Agent, or Firm*—Oliff & Berridge, PLC

(57) **CLAIM**

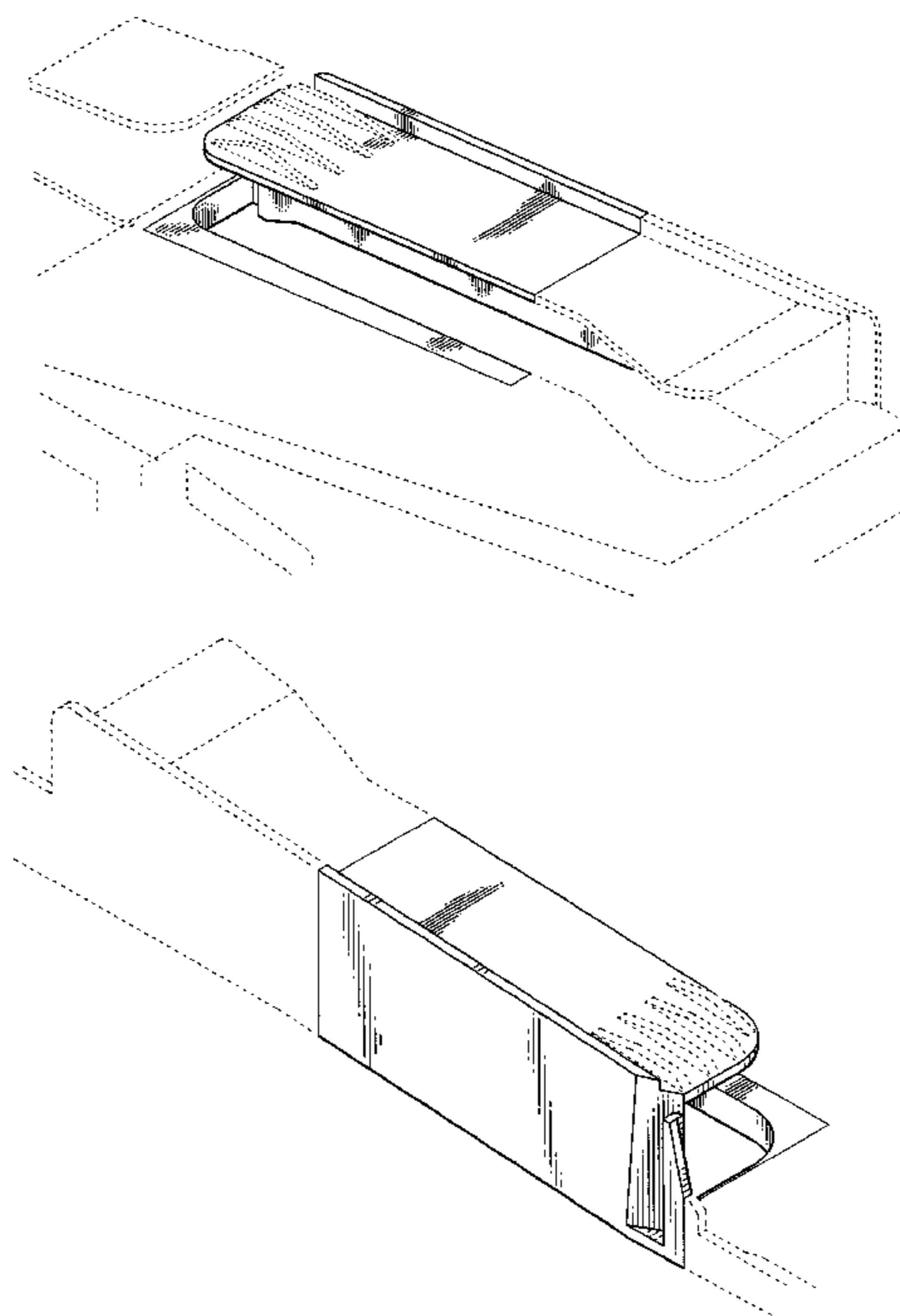
The ornamental design for a paper feed cassette, as shown and described.

DESCRIPTION

FIG. 1 is a perspective view of a paper feed cassette; FIG. 2 is an enlarged partial perspective view thereof; FIG. 3 is a right-side view thereof; FIG. 4 is top view thereof; FIG. 5 is a front view thereof; FIG. 6 is a bottom view thereof; FIG. 7 is a cross-sectional view taken along line 7—7 of FIG. 4; FIG. 8 is a cross-sectional view taken along line 8—8 of FIG. 4; FIG. 9 is an enlarged partial top view; FIG. 10 is an enlarged partial right-side view; FIG. 11 is an enlarged partial cross-sectional view taken along line 7—7 of FIG. 4; and, FIG. 12 is another perspective view.

The broken lines are for illustrative purposes only and form no part of the claimed design.

1 Claim, 10 Drawing Sheets



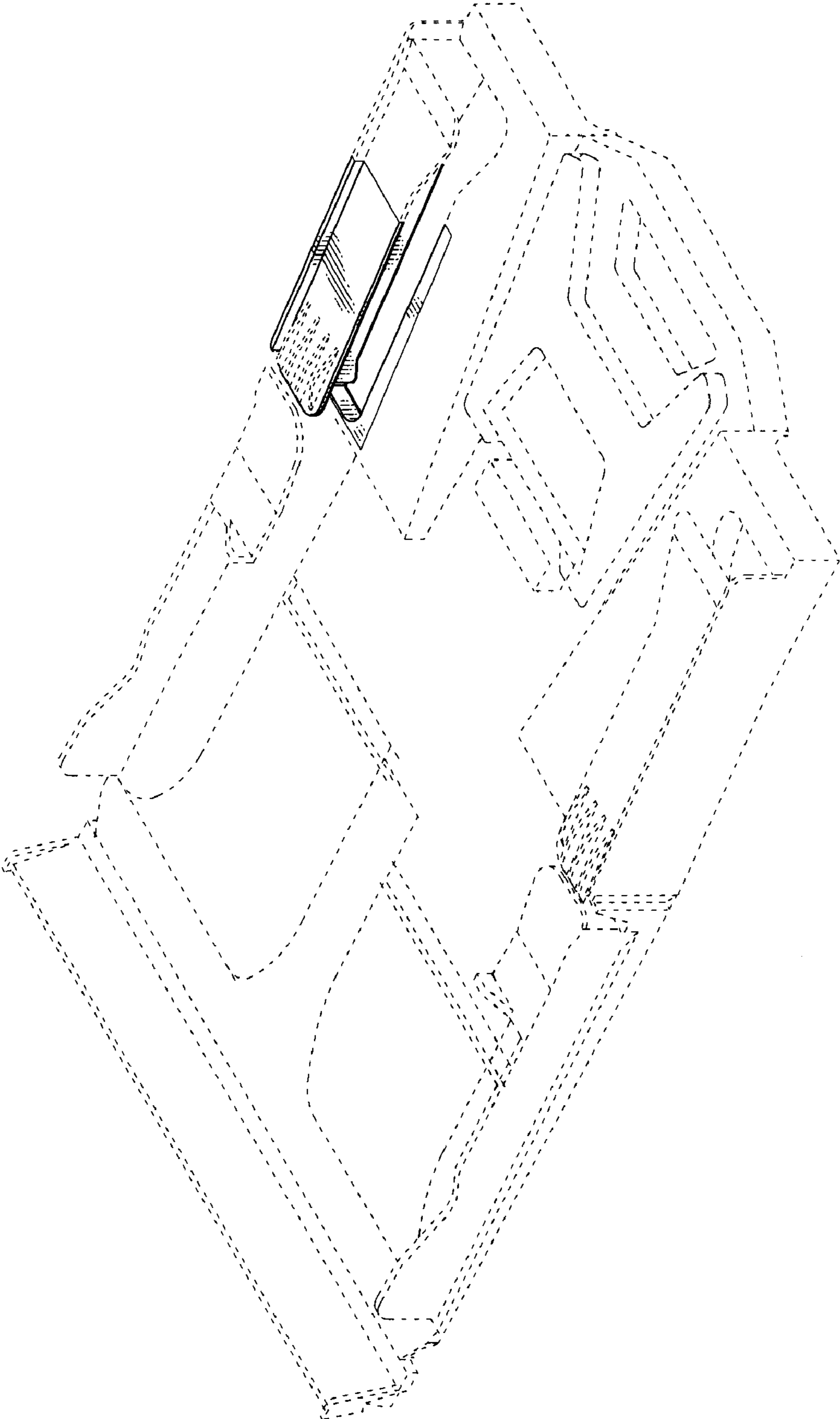


Fig. 1

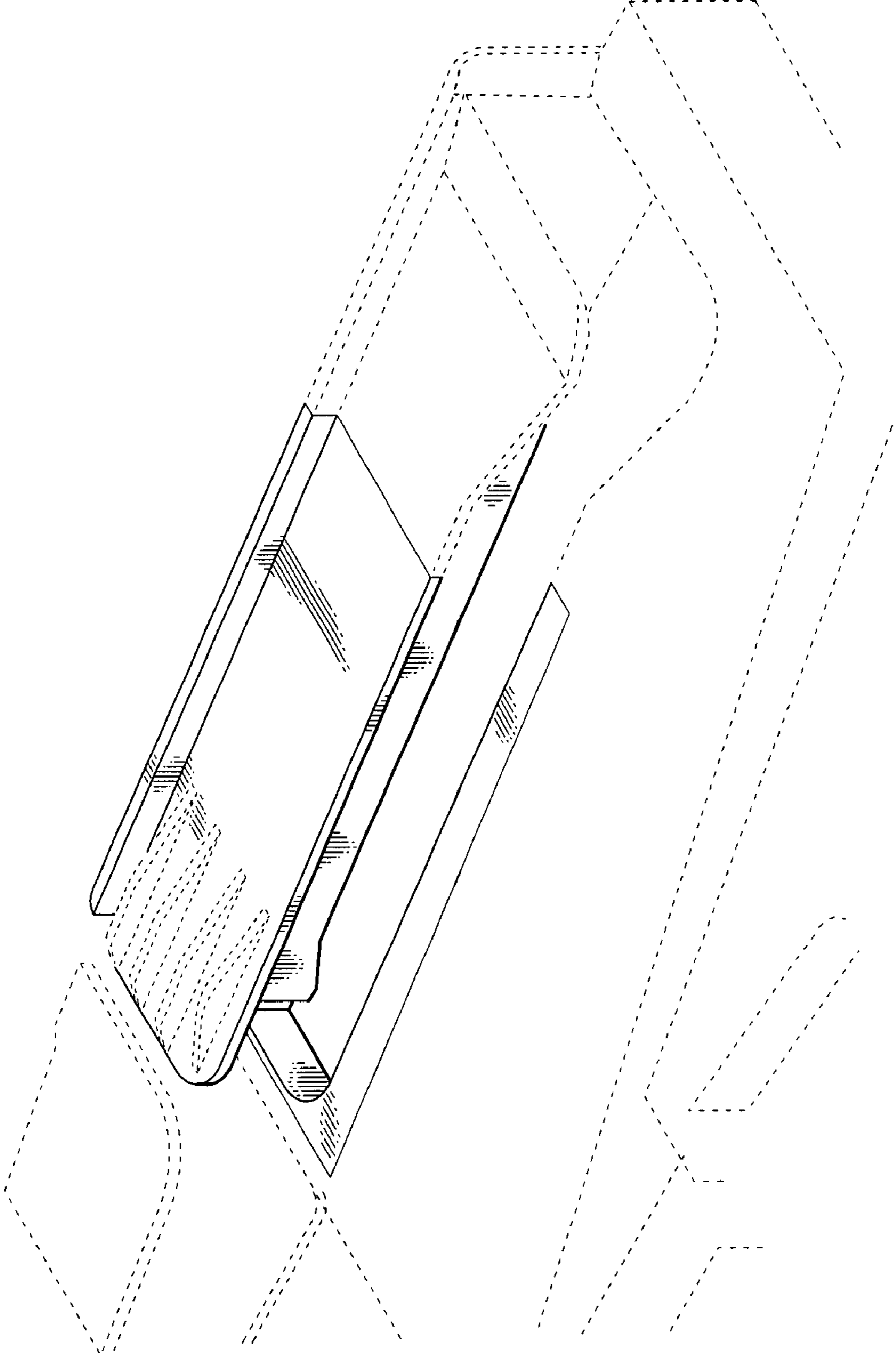


Fig. 2

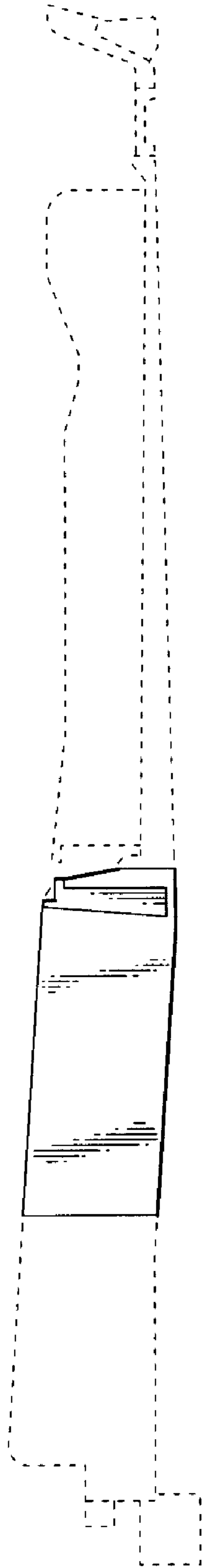


Fig. 3

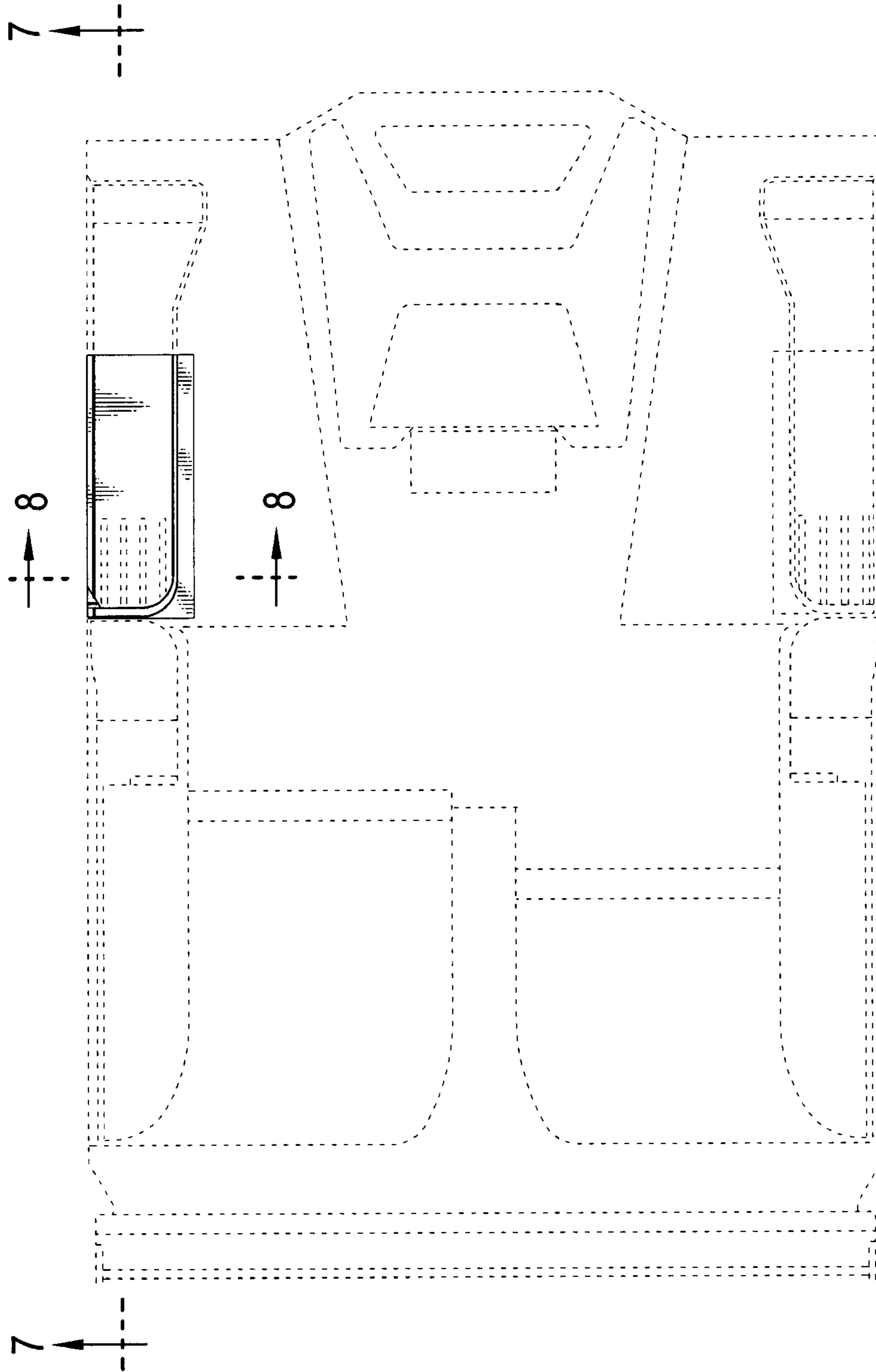


Fig. 4

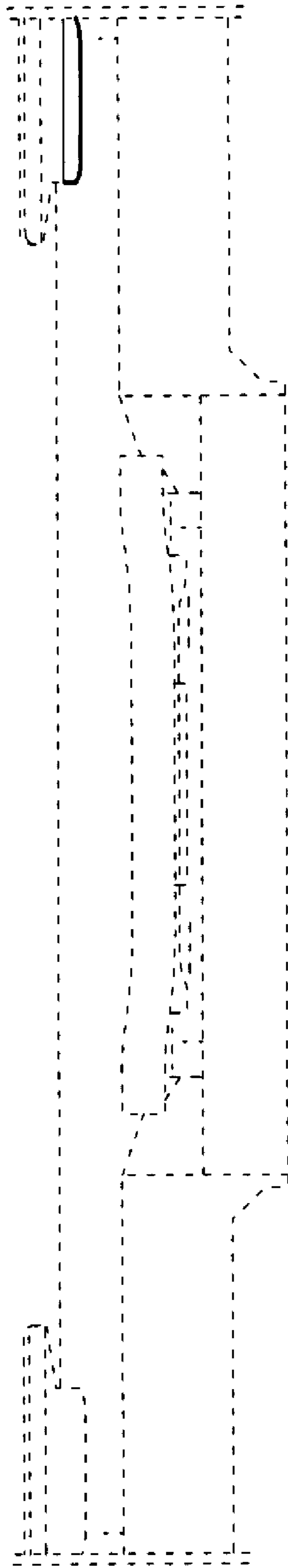


Fig. 5

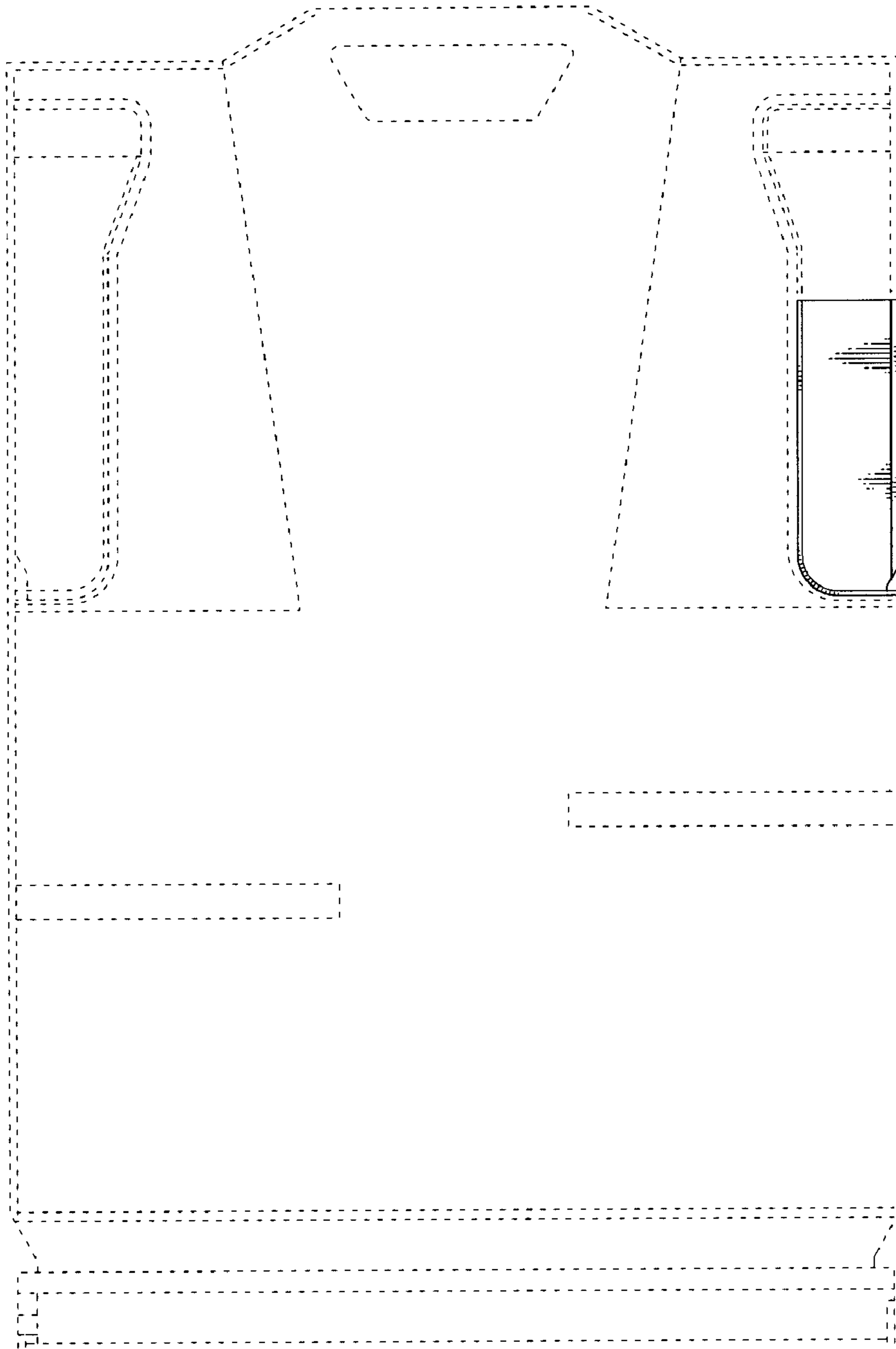


Fig. 6

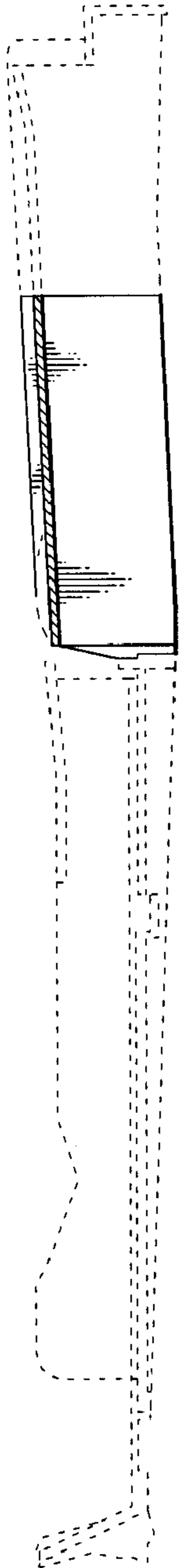


Fig. 7

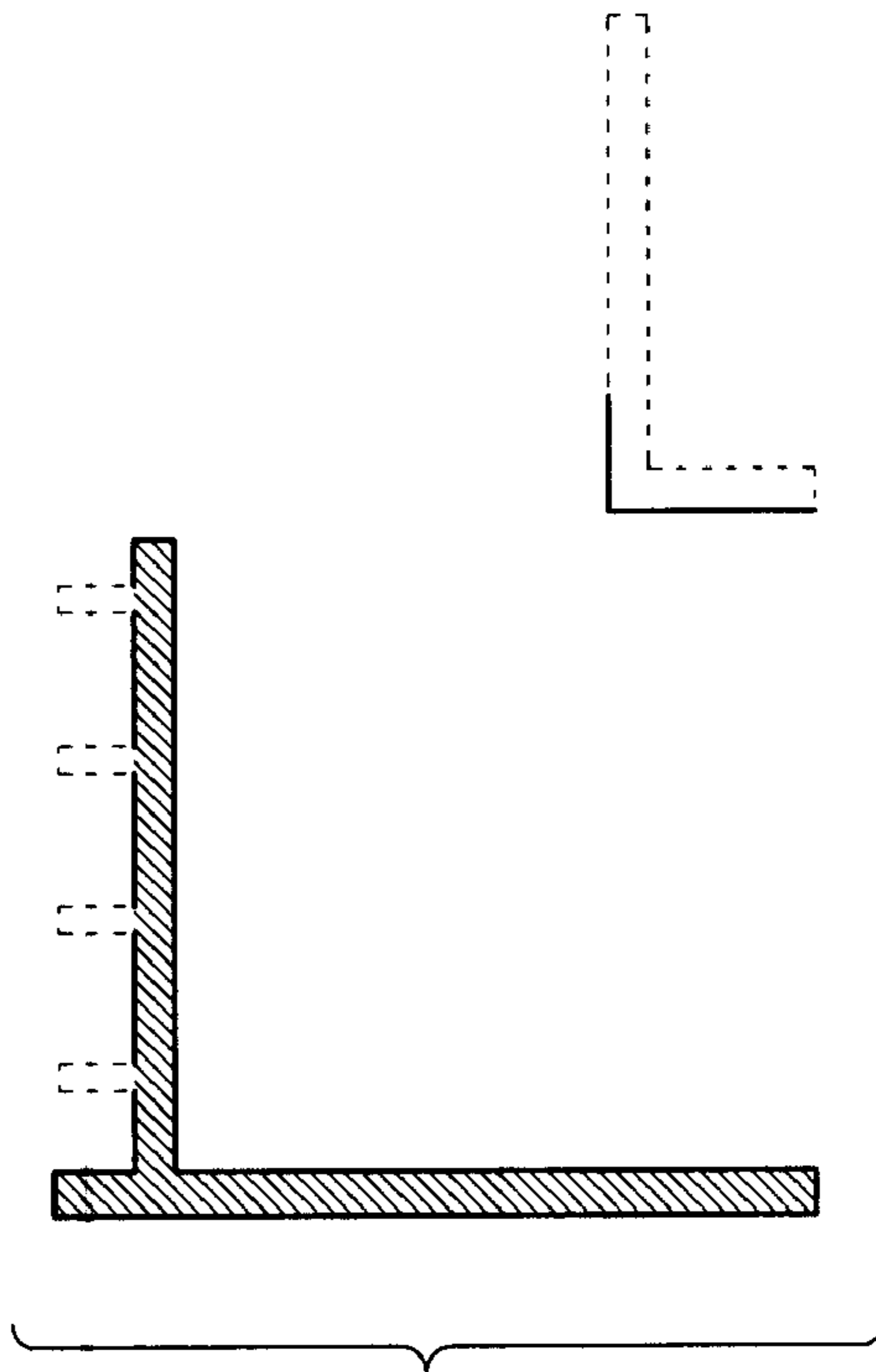


Fig. 8

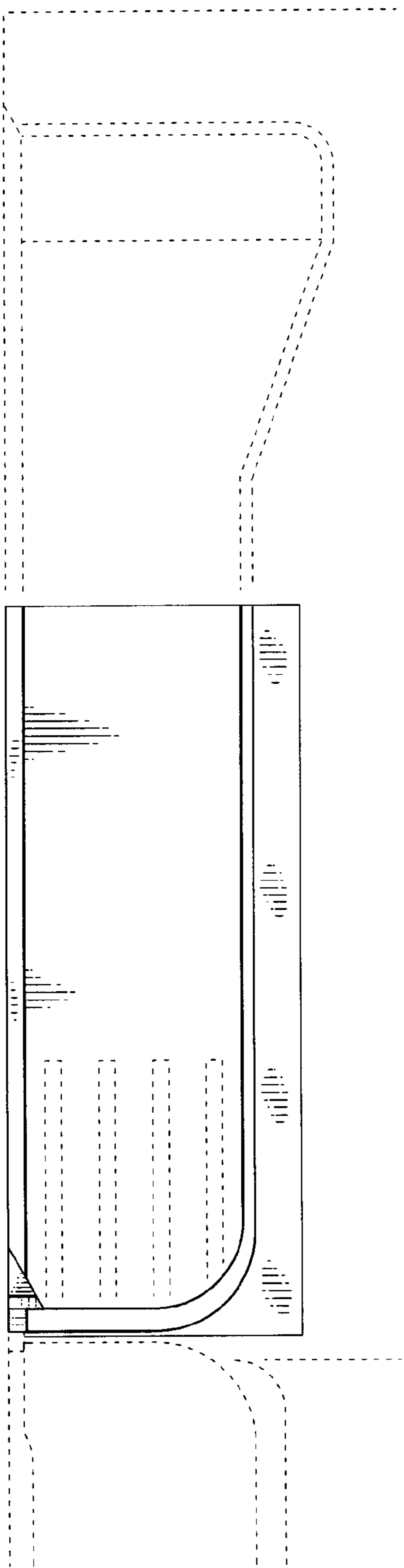


Fig. 9

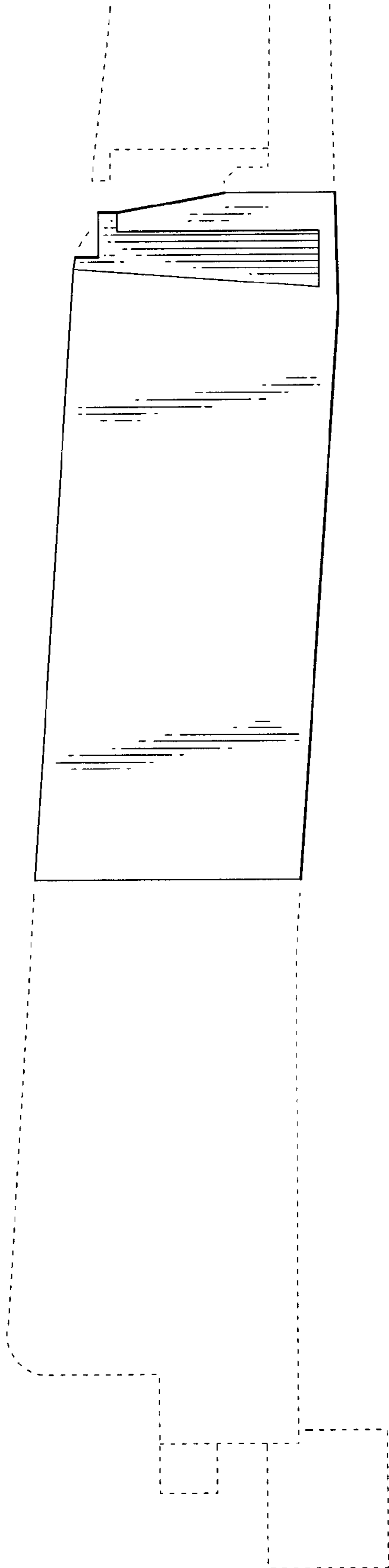


Fig. 10

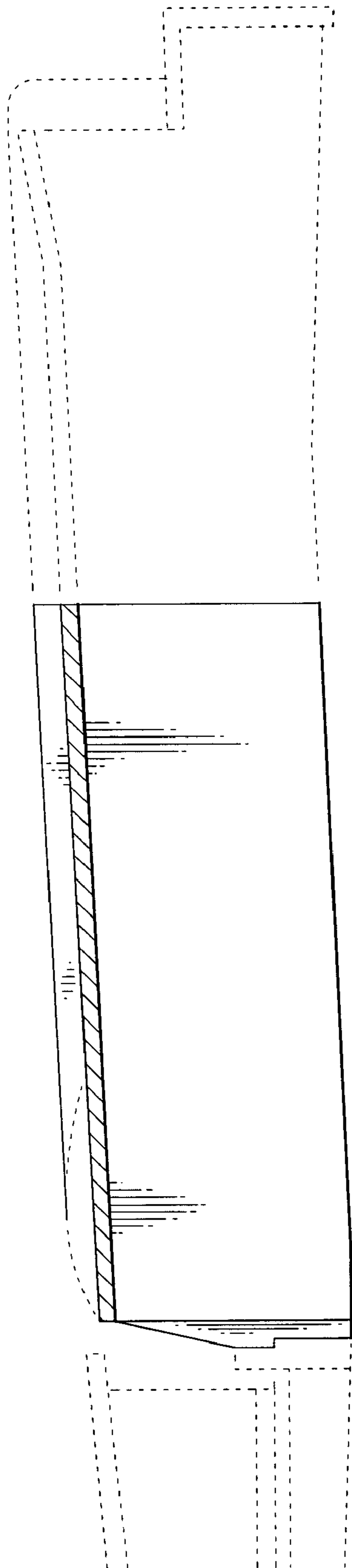


Fig. 11

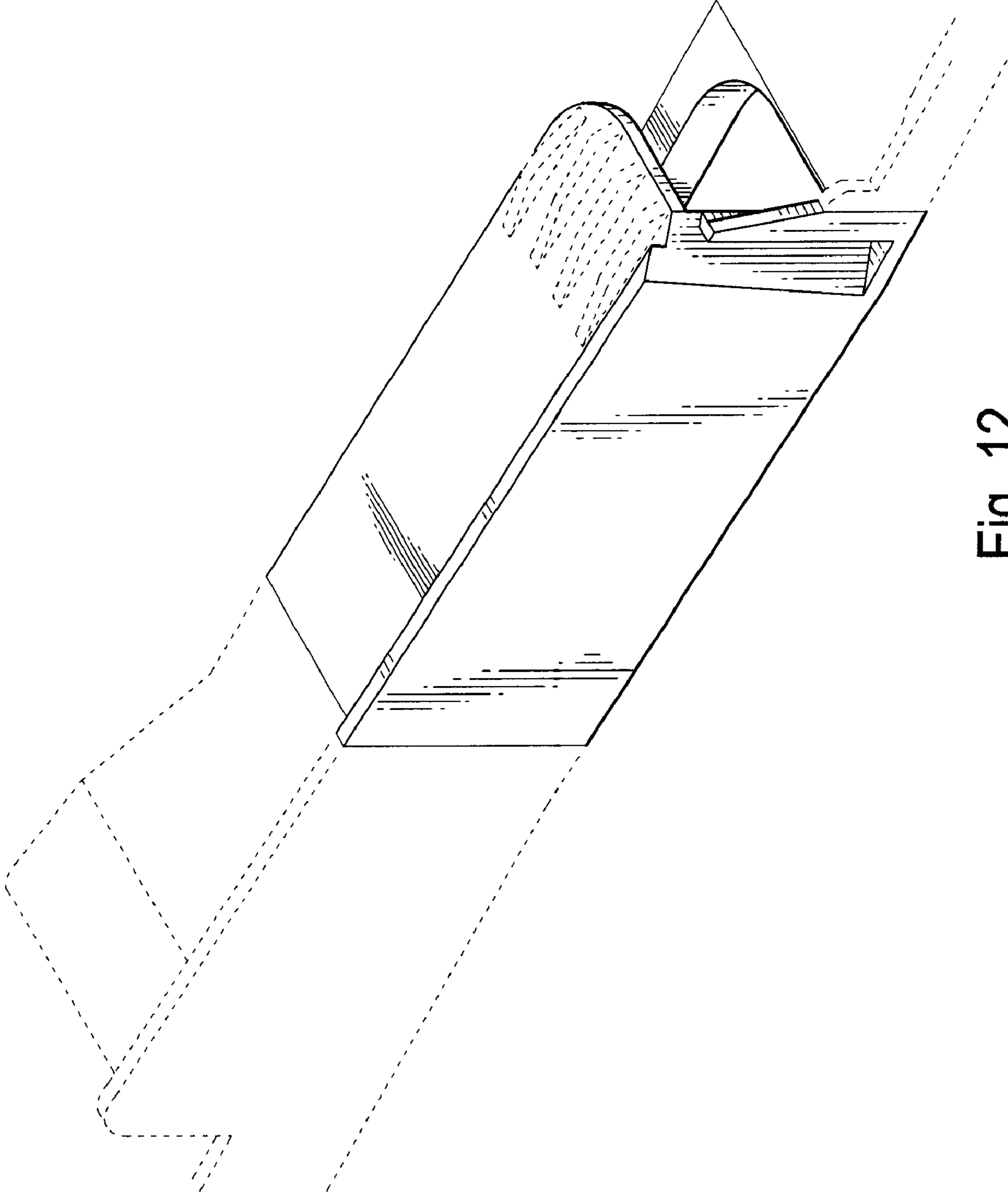


Fig. 12