



US00D528149S

(12) **United States Design Patent**
Asada et al.

(10) **Patent No.:** **US D528,149 S**
(45) **Date of Patent:** **** Sep. 12, 2006**

(54) **PAPER FEED CASSETTE**
(75) Inventors: **Tetsuo Asada**, Kuwana (JP); **Yukio Shiohara**, Nagoya (JP)
(73) Assignee: **Brother Industries, Ltd.**, Nagoya (JP)
(**) Term: **14 Years**

5,163,670 A * 11/1992 Sellers et al. 271/160
D340,063 S * 10/1993 Chow D18/56
5,611,526 A * 3/1997 Cornell 271/3.01
5,938,192 A * 8/1999 Kosasa 271/3.02
6,209,861 B1 * 4/2001 Kakuta et al. 271/3.02
2004/0188922 A1 * 9/2004 Takahashi et al. 271/145
2005/0074266 A1 * 4/2005 Hiramoto et al. 399/391
2005/0242486 A1 * 11/2005 Lee et al. 271/121

* cited by examiner

(21) Appl. No.: **29/210,829**
(22) Filed: **Aug. 9, 2004**

Primary Examiner—Caron Veynar
Assistant Examiner—Garth Rademaker
(74) *Attorney, Agent, or Firm*—Oliff & Berridge, PLC

(30) **Foreign Application Priority Data**

Mar. 5, 2004 (JP) 2004-006761

(57) **CLAIM**

(51) **LOC (8) Cl.** **18-99**
(52) **U.S. Cl.** **D18/49**
(58) **Field of Classification Search** D18/36-41,
D18/43-49, 56; D14/462-471; 222/DIG. 1;
355/97, 112; 399/16-23, 361, 363, 381-384,
399/388-391, 393; 271/3.02, 3.08, 18, 145,
271/160, 171, 226, 241, 264
See application file for complete search history.

The ornamental design for a paper feed cassette, as shown and described.

DESCRIPTION

(56) **References Cited**

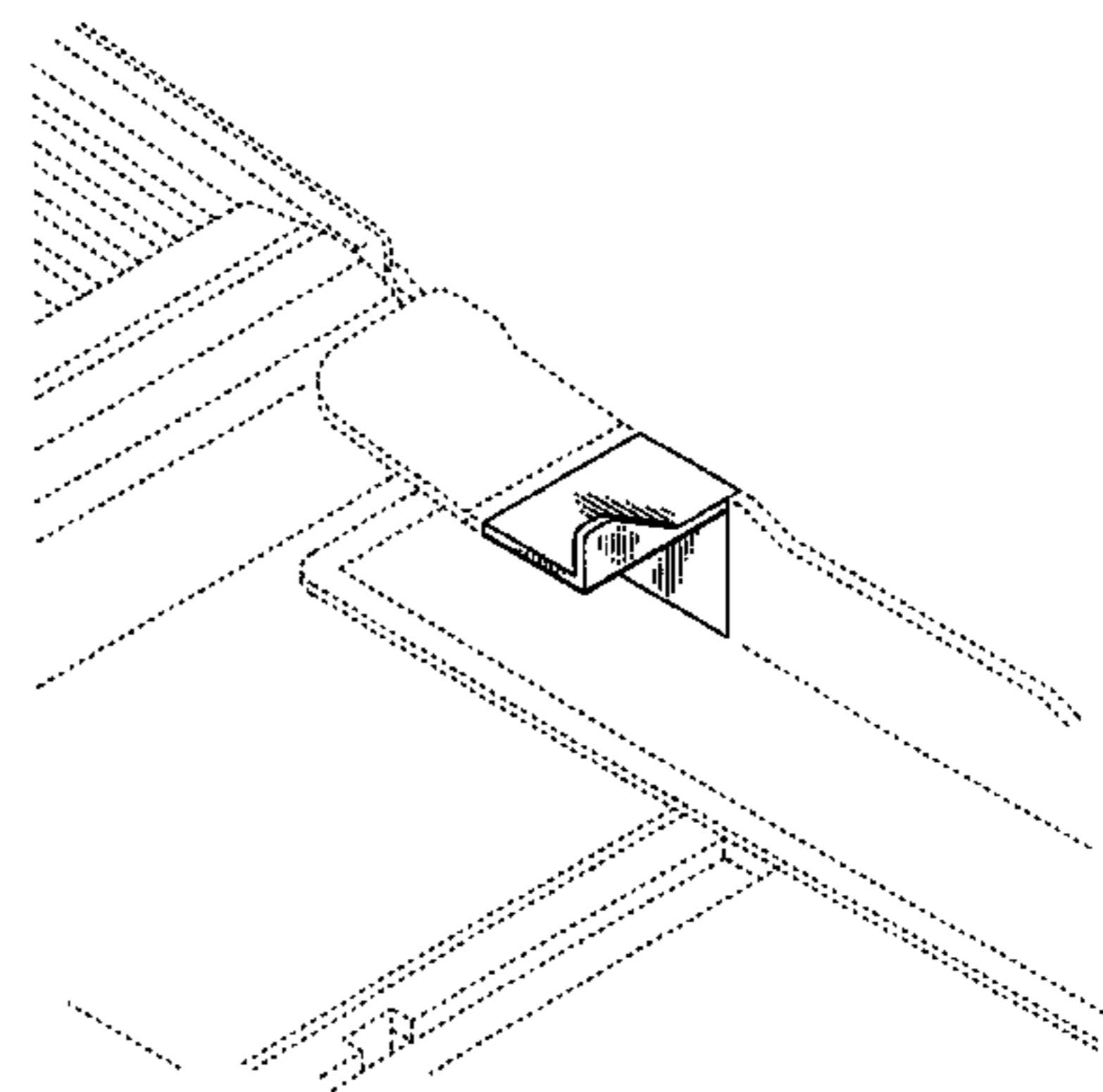
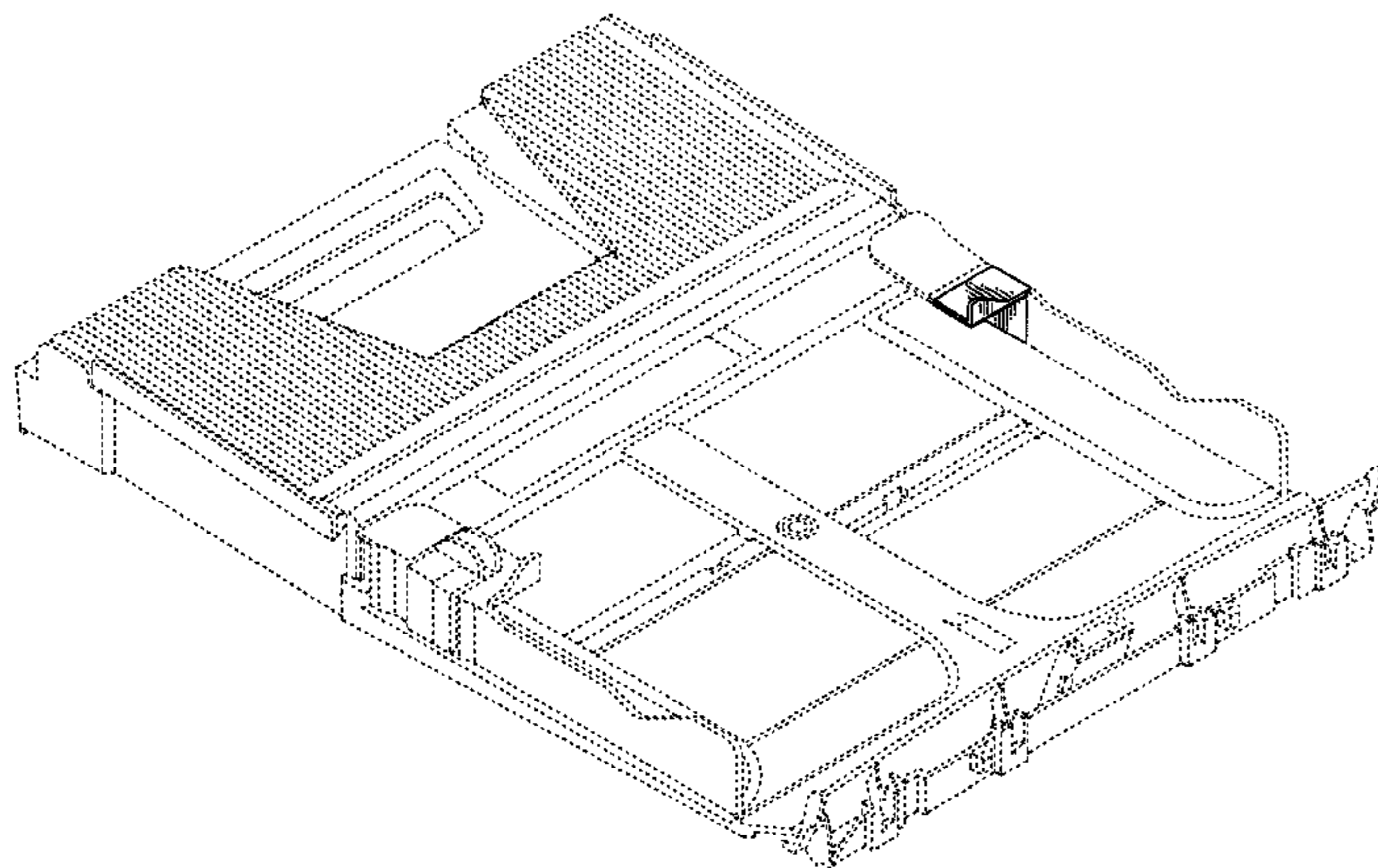
U.S. PATENT DOCUMENTS

D265,569 S * 7/1982 Prisbe D18/56
4,568,074 A * 2/1986 Murayoshi 271/171
D293,334 S * 12/1987 Humbert D18/56
5,154,413 A * 10/1992 Boughton et al. 271/226

FIG. 1 is a perspective view of a paper feed cassette; FIG. 2 is an enlarged partial perspective view thereof; FIG. 3 is a top view thereof; FIG. 4 is a right-side view thereof; FIG. 5 is a front view thereof; and, FIG. 6 is an interior left-side view taken along the lines 6-6 of FIG. 3.

The broken lines are for illustrative purposes only and form no part of the claimed design.

1 Claim, 5 Drawing Sheets



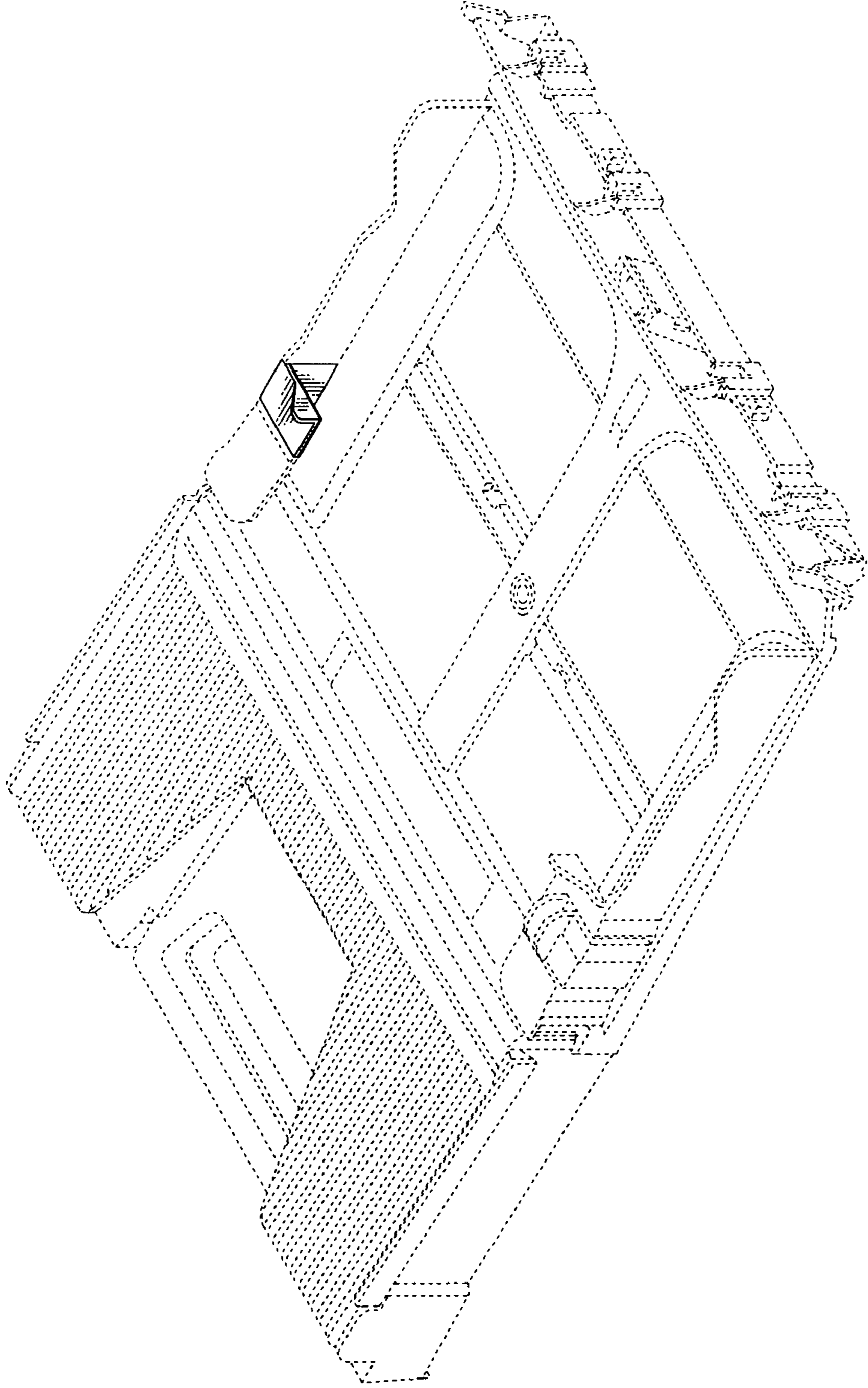


Fig. 1

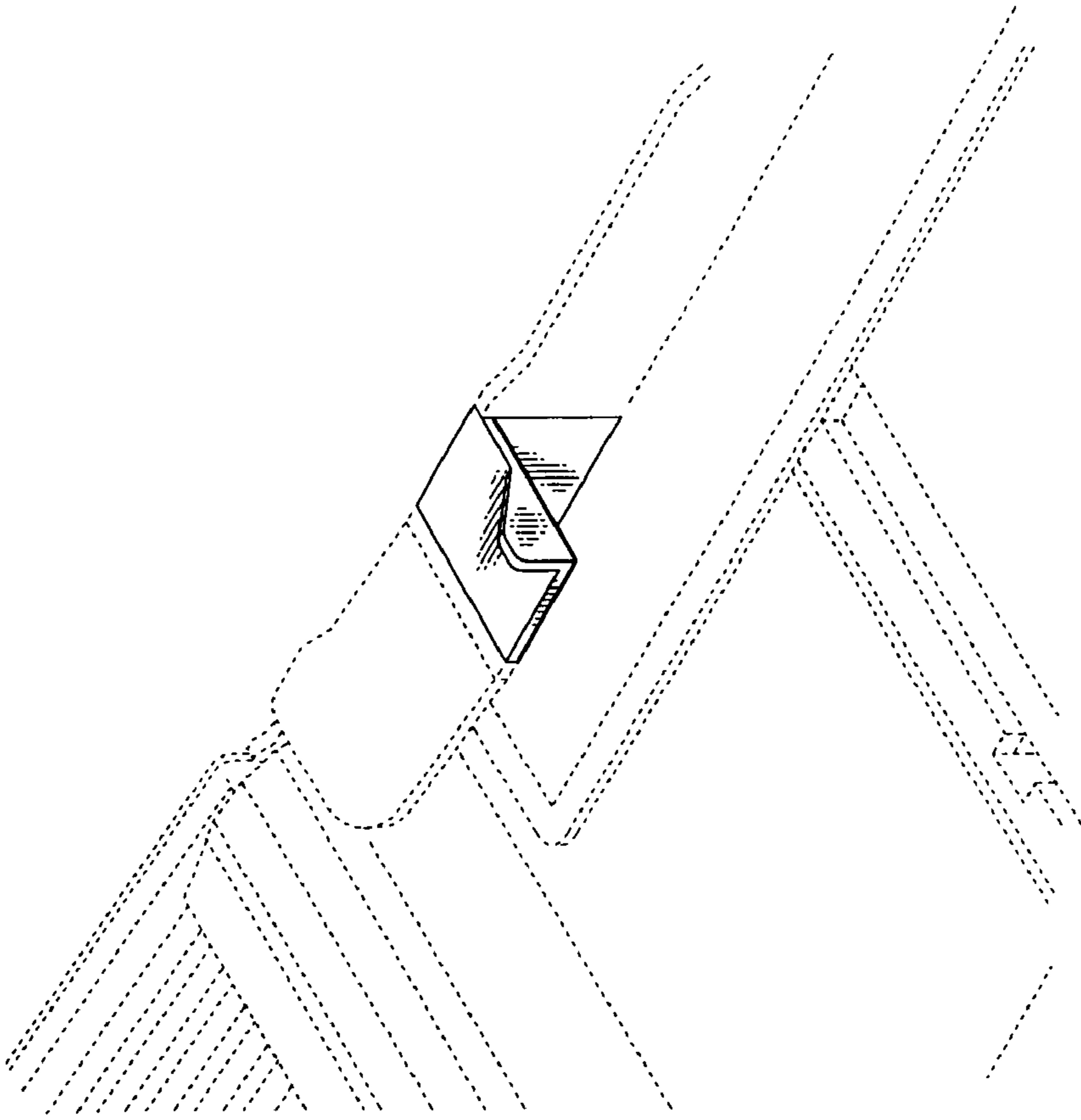


Fig. 2

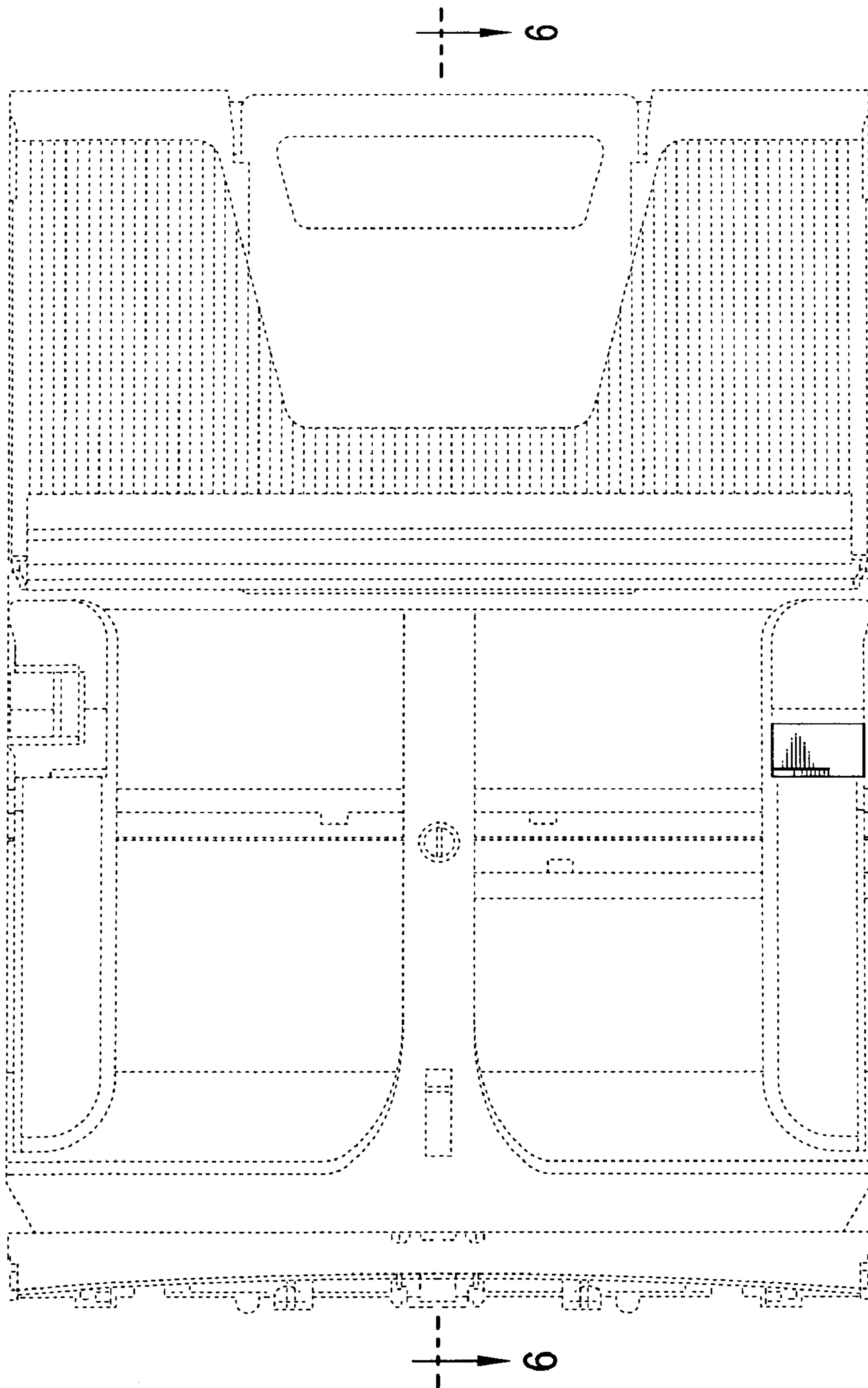


Fig. 3

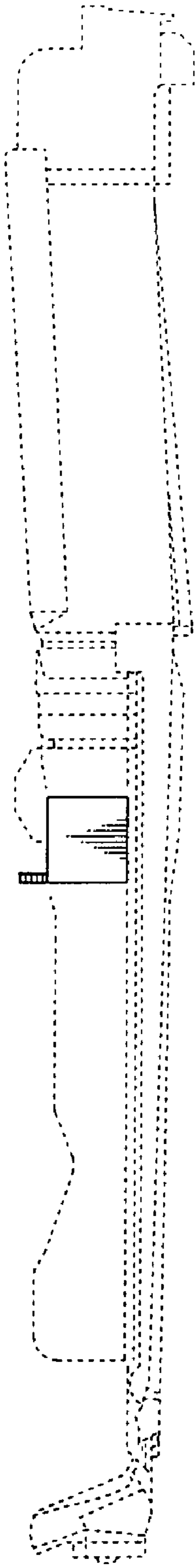


Fig. 4

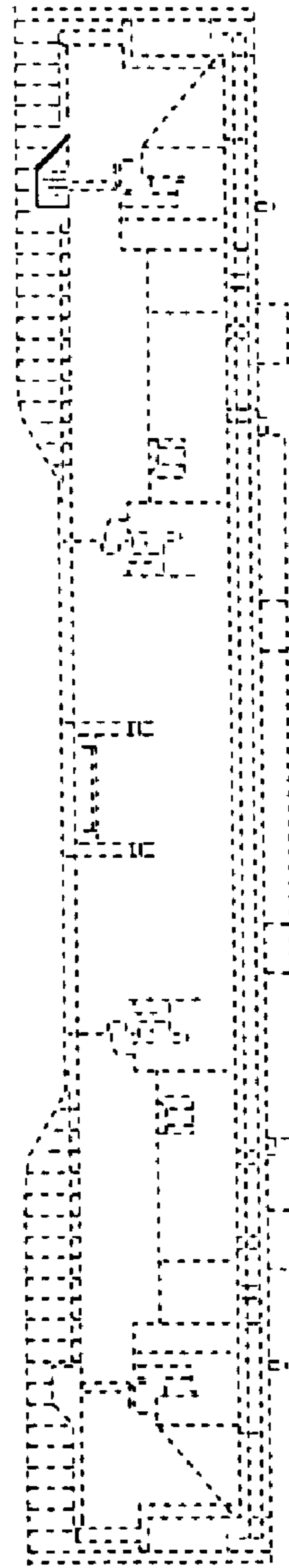


Fig. 5

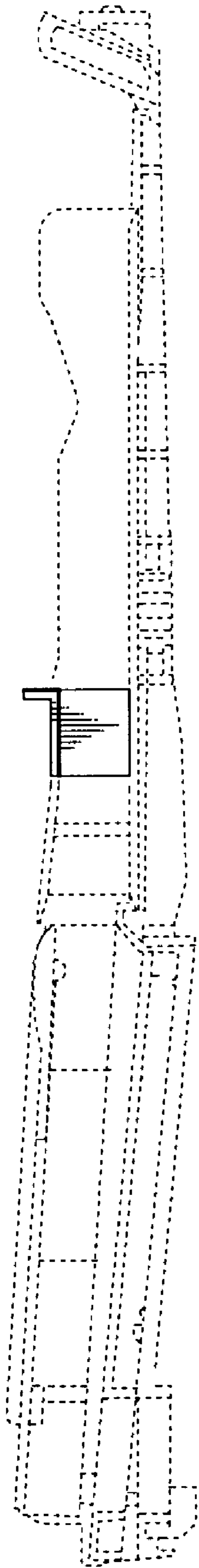


Fig. 6