

US00D528148S

(12) **United States Design Patent** (10) **Patent No.:** **US D528,148 S**
Ishii et al. (45) **Date of Patent:** **** Sep. 12, 2006**

(54) **TONER CARTRIDGE**(75) Inventors: **Makoto Ishii**, Nagoya (JP); **Fumio Morita**, Kisogawa-cho (JP); **Fumikazu Sato**, Inuyama (JP)(73) Assignee: **Brother Industries, Ltd.**, Nagoya (JP)(**) Term: **14 Years**(21) Appl. No.: **29/222,158**(22) Filed: **Jan. 27, 2005**(30) **Foreign Application Priority Data**

Aug. 13, 2004 (JP) 2004-024377

(51) **LOC (8) Cl.** **16-03**(52) **U.S. Cl.** **D18/43**(58) **Field of Classification Search** D18/12,
D18/36, 40, 43, 44, 56; D14/462, 469-471;
222/DIG. 1; 347/197, 222; 399/24-28, 107-112,
399/119, 121, 122, 222-224; 400/207, 208
See application file for complete search history.(56) **References Cited**

U.S. PATENT DOCUMENTS

D362,458 S * 9/1995 Suzuki et al. D18/43
D422,304 S * 4/2000 Suzuki et al.
6,081,676 A * 6/2000 Inomata 399/25
D442,216 S * 5/2001 Kimura et al.
D443,636 S * 6/2001 Kurosawa et al. D18/43
D460,980 S * 7/2002 Matsuzaki et al. D18/40
D471,228 S * 3/2003 Okabe et al.
D507,596 S * 7/2005 Kobayashi et al. D18/43
D507,597 S * 7/2005 Kobayashi et al. D18/43
D507,809 S * 7/2005 Kobayashi et al. D18/43
D510,947 S * 10/2005 Ishii et al. D18/43
D511,542 S * 11/2005 Ishii et al. D18/43
6,975,822 B1 * 12/2005 Kunou et al. 399/109
D518,851 S * 4/2006 Awano et al. D18/40
2001/0043814 A1 * 11/2001 Abe 399/27
2002/0076235 A1 * 6/2002 Matsuzaki 399/111
2003/0031481 A1 * 2/2003 Miho 399/222
2005/0053394 A1 * 3/2005 Ishii et al. 399/111
2005/0276631 A1 * 12/2005 Mori 399/111
2006/0029422 A1 * 2/2006 Shiraki 399/111
2006/0034633 A1 * 2/2006 Tsusaka et al. 399/107

OTHER PUBLICATIONS

U.S. Appl. No. 29/197,016, filed Jan. 8, 2004, Suzuki et al.
U.S. Appl. No. 29/197,018, filed Jan. 8, 2004, Kobayashi et al.
U.S. Appl. No. 29/197,019, filed Jan. 8, 2004, Koboyashi et al.
U.S. Appl. No. 29/197,020, filed Jan. 8, 2004, Koboyashi et al.
U.S. Appl. No. 29/197,021, filed Jan. 8, 2004, Koboyashi et al.
U.S. Appl. No. 29/197,022, filed Jan. 8, 2004, Koboyashi et al.
U.S. Appl. No. 29/197,023, filed Jan. 8, 2004, Suzuki et al.
U.S. Appl. No. 29/197,046, filed Jan. 8, 2004, Koboyashi et al.
U.S. Appl. No. 29/196,953, filed Jan. 8, 2004, Koboyashi et al.
U.S. Appl. No. 29/199,278, filed Feb. 12, 2004, Ishii et al.
U.S. Appl. No. 29/199,251, filed Feb. 12, 2004, Ishii et al.
U.S. Appl. No. 29/199,336, filed Feb. 12, 2004, Ishii et al.
U.S. Appl. No. 29/199,333, filed Feb. 12, 2004, Ishii et al.
U.S. Appl. No. 29/199,275, filed Feb. 12, 2004, Ishii et al.

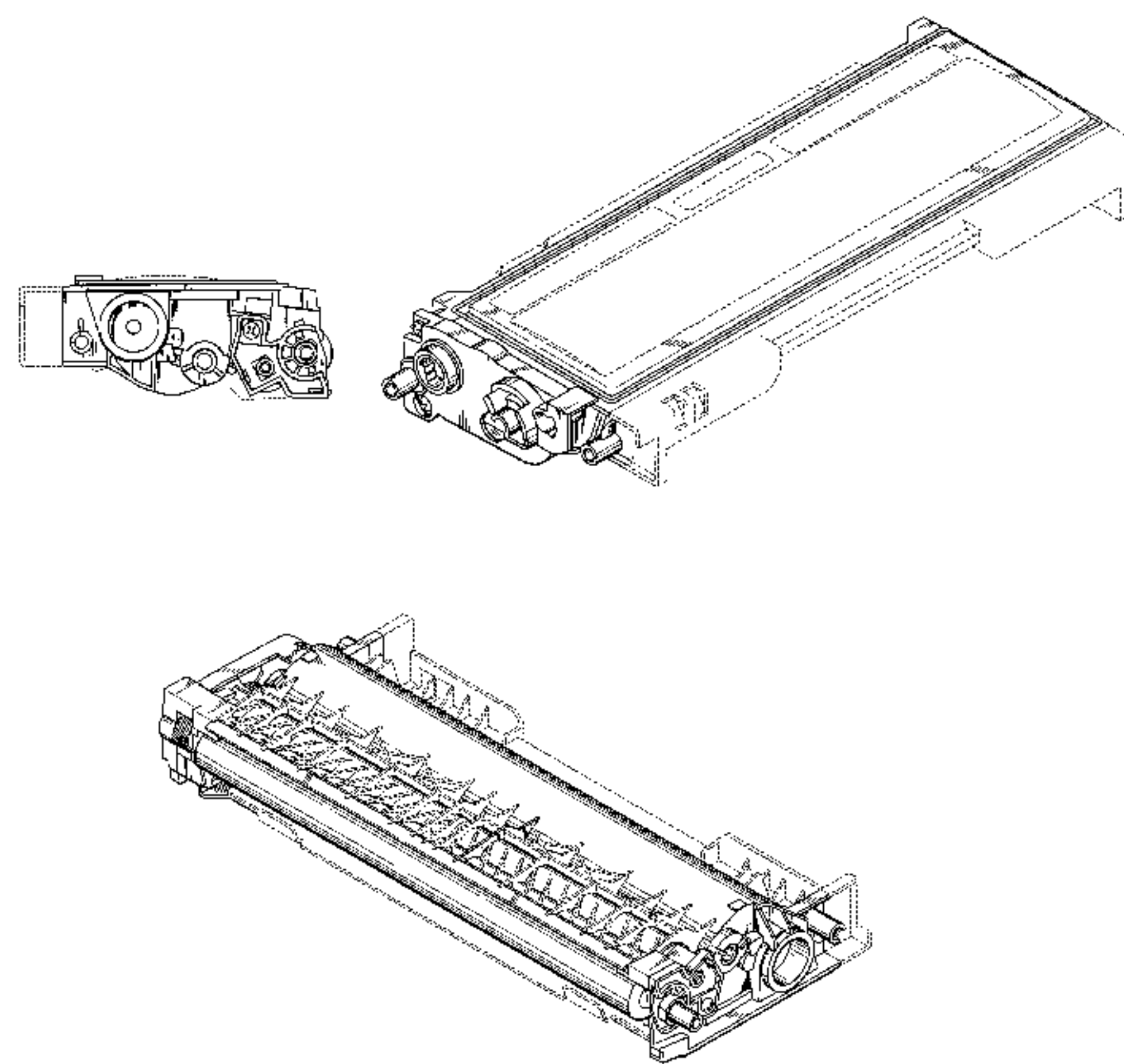
* cited by examiner

Primary Examiner—Caron Veynar*Assistant Examiner*—Garth Rademaker(74) *Attorney, Agent, or Firm*—Oliff & Berridge, PLC(57) **CLAIM**

The ornamental design for a toner cartridge, as shown and described.

DESCRIPTION

FIG. 1 is a front view of a toner cartridge;
FIG. 2 is a top view thereof;
FIG. 3 is a right-side view thereof;
FIG. 4 is a left-side view thereof;
FIG. 5 is a rear view thereof;
FIG. 6 is a bottom view thereof;
FIG. 7 is a perspective view thereof; and,
FIG. 8 is another perspective view thereof.
The broken line showing is for illustrative purposes only and forms no part of the claimed design.

1 Claim, 5 Drawing Sheets

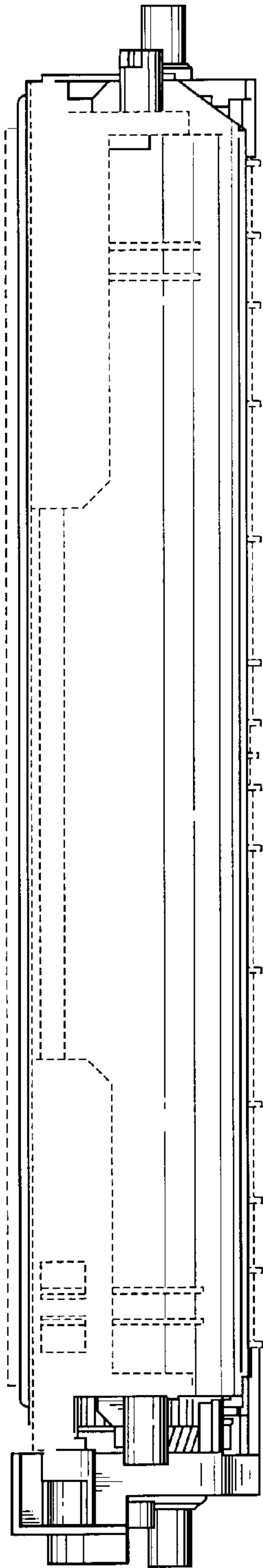


FIG. 1

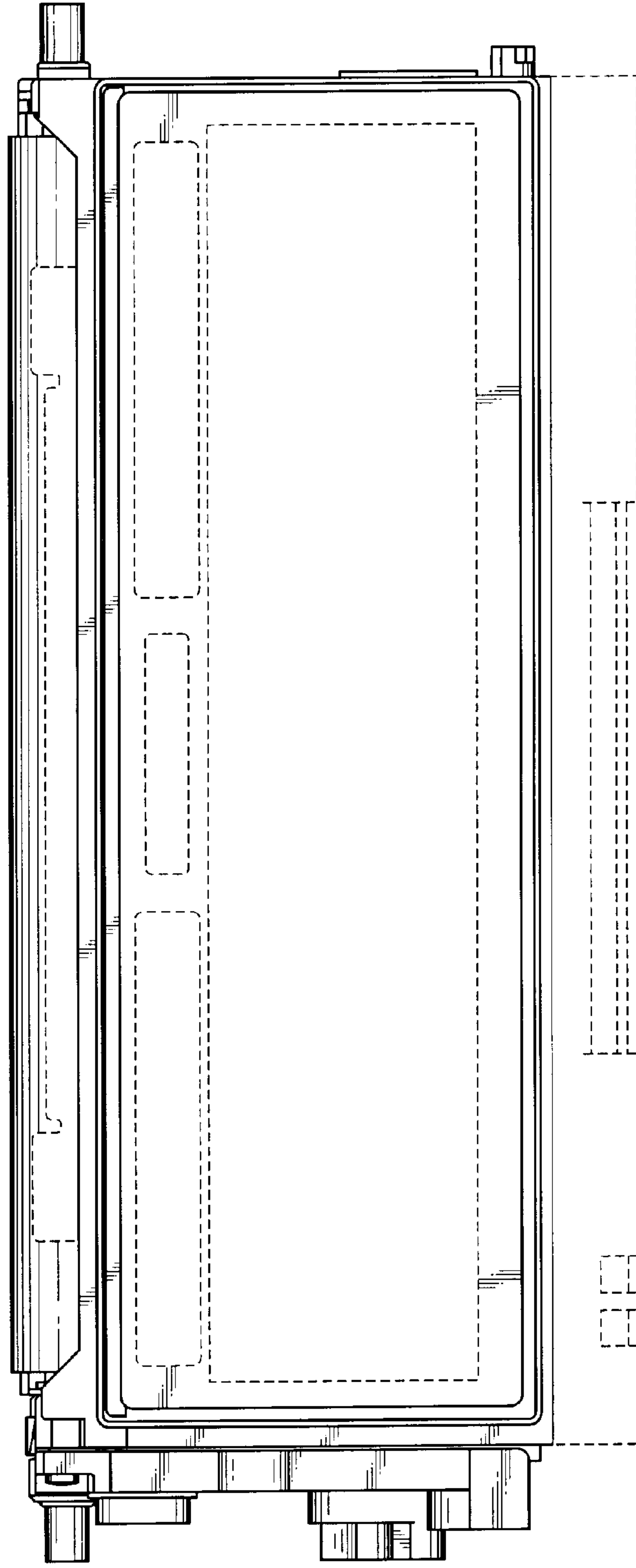


FIG. 2

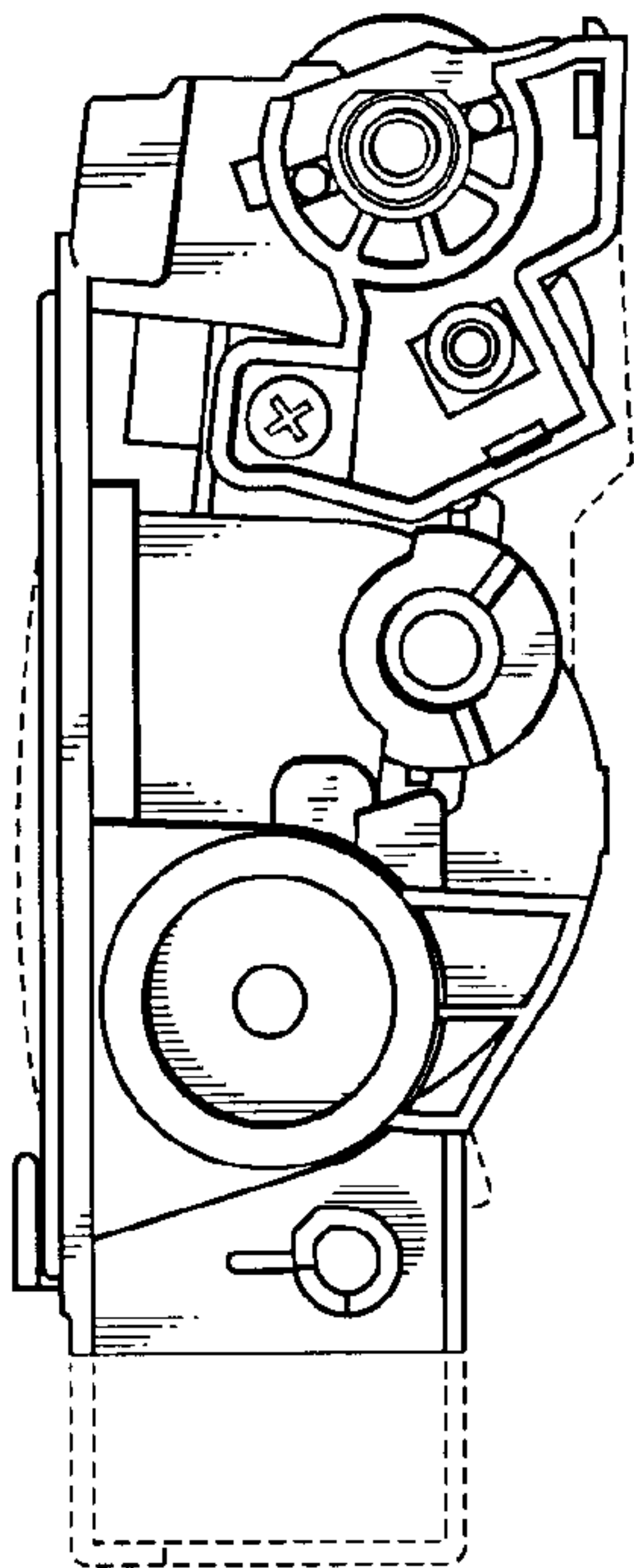


FIG. 3

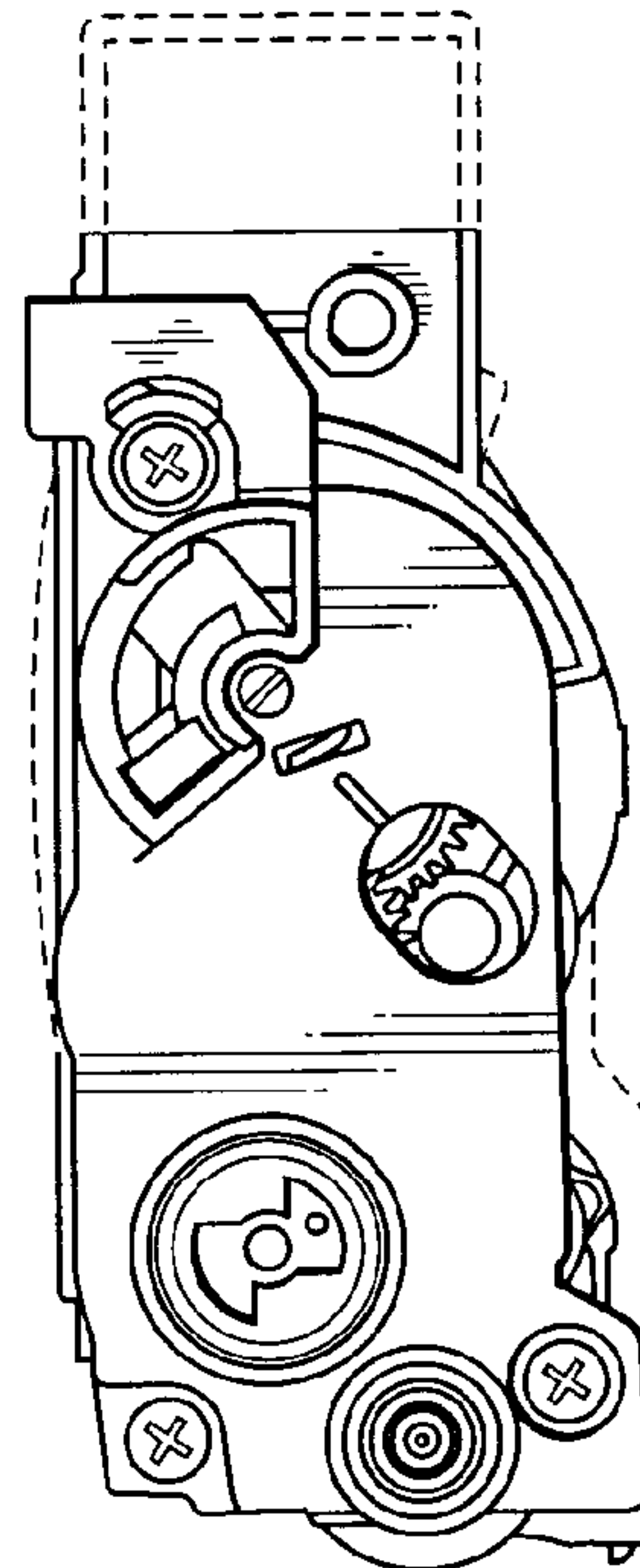


FIG. 4

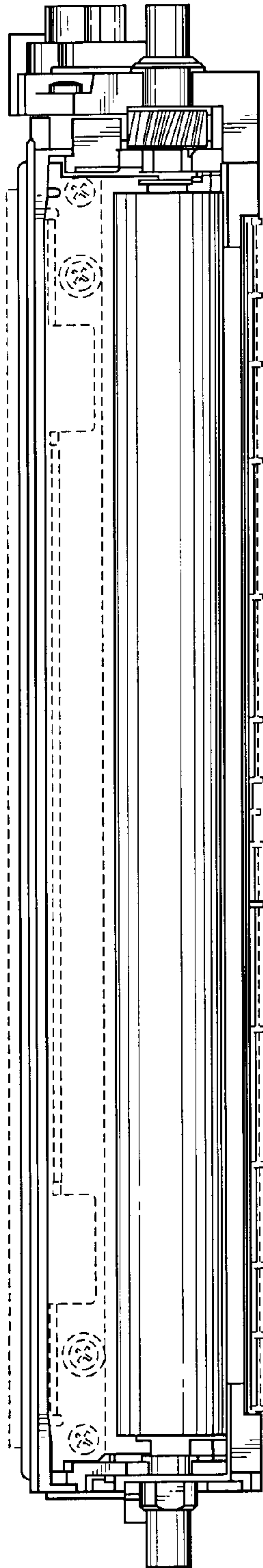


FIG. 5

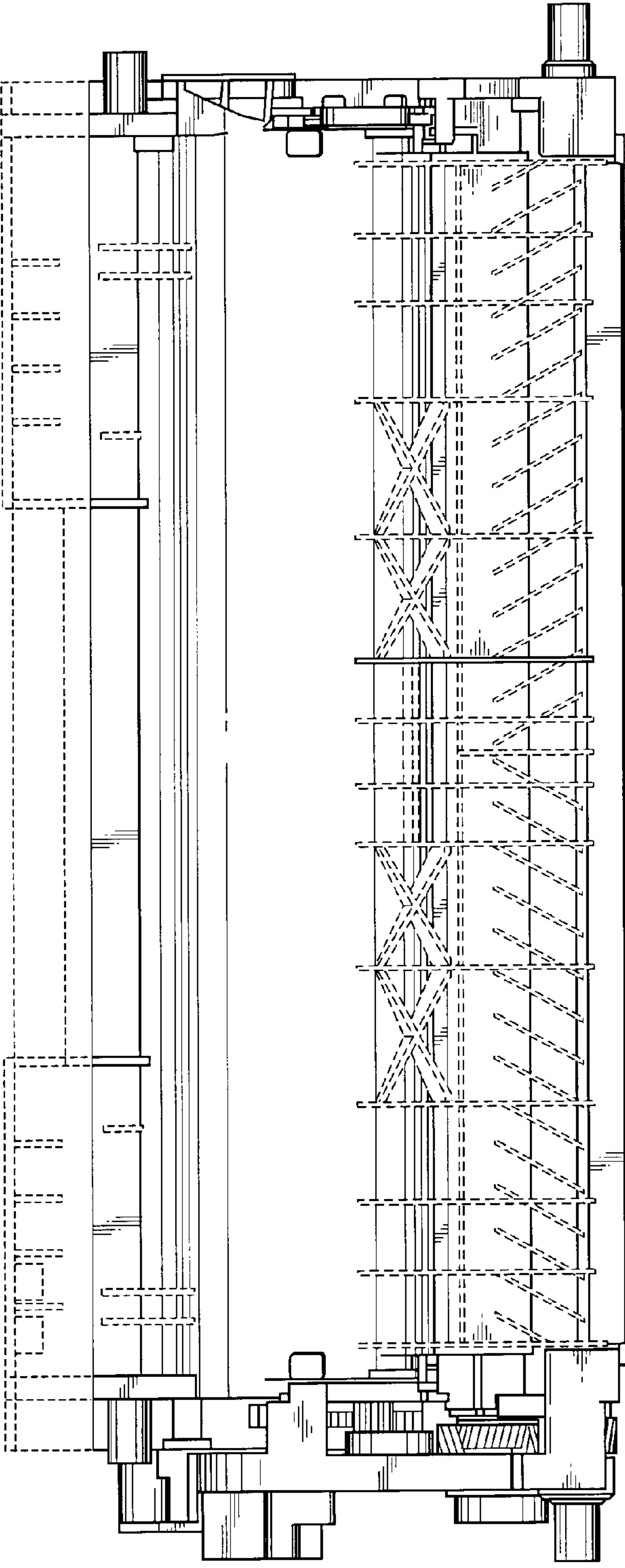


FIG. 6

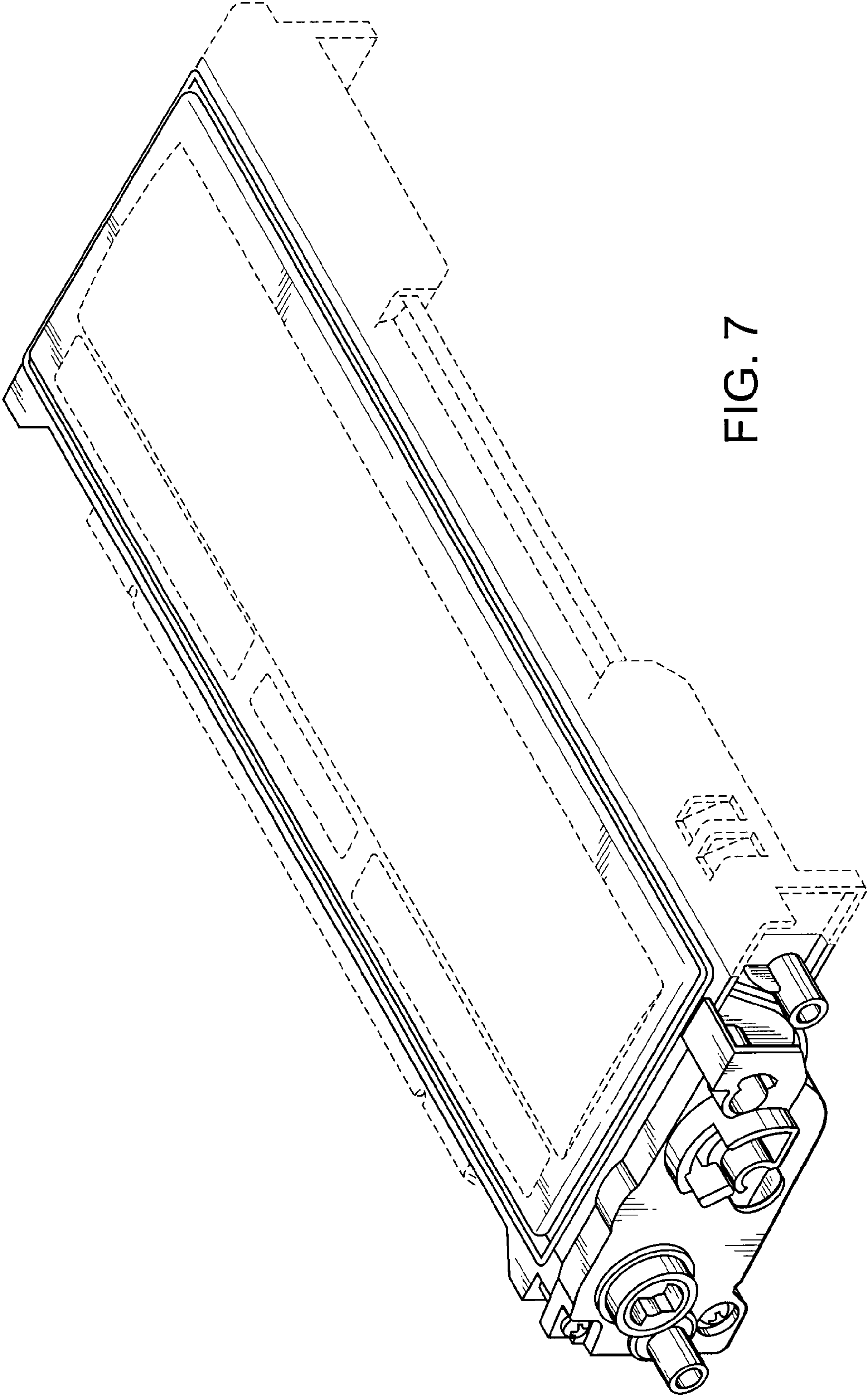


FIG. 7

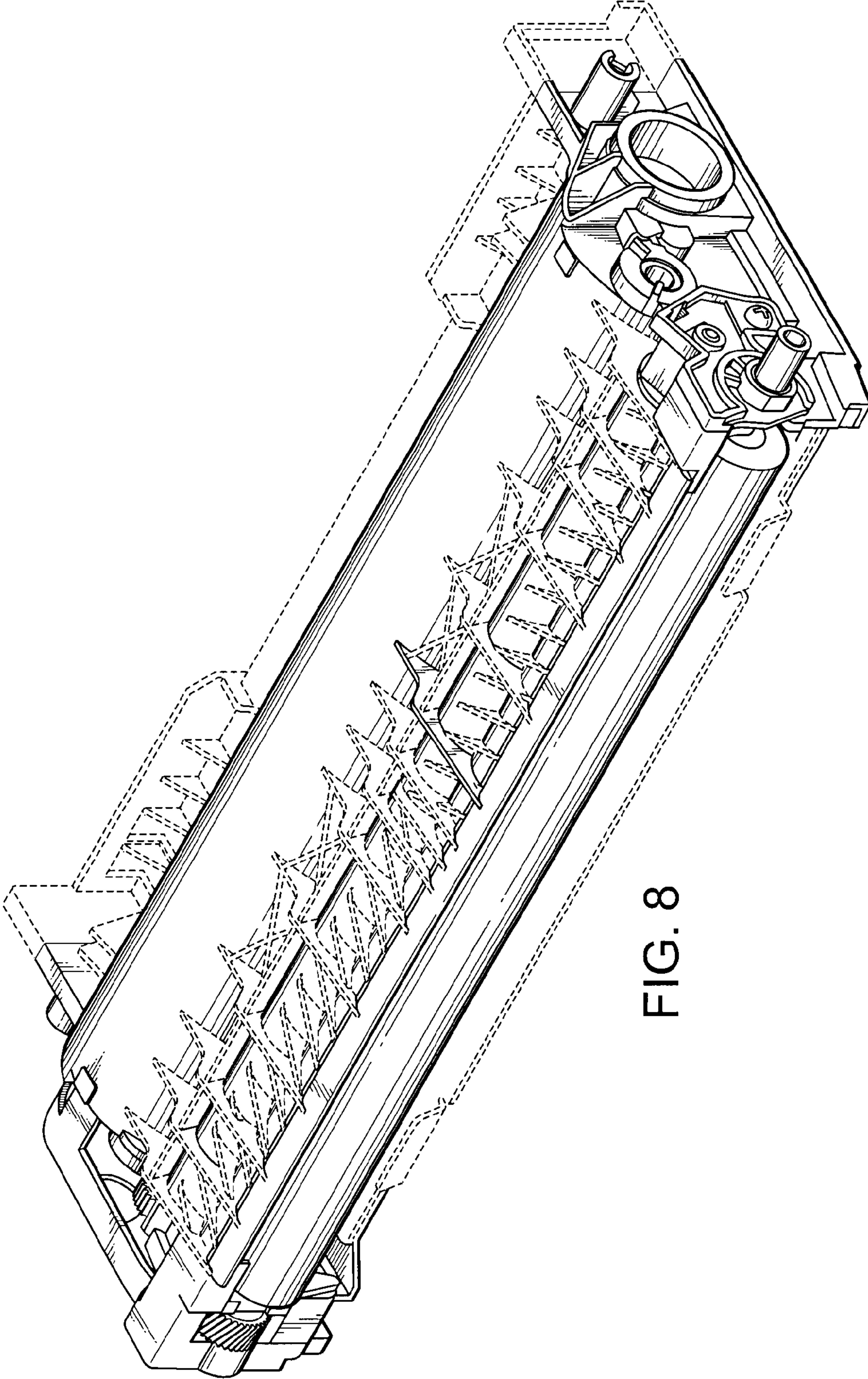


FIG. 8