

US00D528146S

(12) **United States Design Patent**
Fitch

(10) **Patent No.:** **US D528,146 S**

(45) **Date of Patent:** **** Sep. 12, 2006**

(54) **POINT OF SALE TRANSACTION TERMINAL**

(75) Inventor: **Timothy R. Fitch**, Syracuse, NY (US)

(73) Assignee: **Hand Held Products, Inc.**, Skaneateles Falls, NY (US)

(**) Term: **14 Years**

(21) Appl. No.: **29/233,007**

(22) Filed: **Jun. 24, 2005**

Related U.S. Application Data

(63) Continuation of application No. 11/027,239, filed on Dec. 30, 2004.

(51) **LOC (8) Cl.** **18-01**

(52) **U.S. Cl.** **D18/4.4**; D14/336

(58) **Field of Classification Search** D14/383-389, D14/341, 371; 235/380, 382, 382.5, 383, 235/379; D16/237; 33/443; D19/26; 361/681-686
See application file for complete search history.

(56) **References Cited**

U.S. PATENT DOCUMENTS

4,611,406 A * 9/1986 Engstrom et al. 33/443

D400,191 S * 10/1998 Butts et al. D14/385
6,052,279 A * 4/2000 Friend et al. 361/686
D425,558 S * 5/2000 Tarpenning et al. D19/26
D451,097 S * 11/2001 Schmeisser et al. D14/371
6,572,012 B1 * 6/2003 Gannon et al. 235/379
D477,322 S * 7/2003 Chien D14/385
D481,057 S * 10/2003 Brady D16/237
6,757,156 B1 * 6/2004 Adams et al. 361/681

* cited by examiner

Primary Examiner—Freda S. Nunn

(74) *Attorney, Agent, or Firm*—Wall Marjama & Bilinski LLP

(57) **CLAIM**

The ornamental design for a point of sale transaction terminal, as shown and described.

DESCRIPTION

FIG. 1 is an exploded top perspective view of a point of sale transaction terminal according to the invention; and, FIG. 2 is a top view of the transaction terminal shown in FIG. 1.

The broken lines shown herein are for illustrative purposes only and form no part of the claimed design.

1 Claim, 2 Drawing Sheets

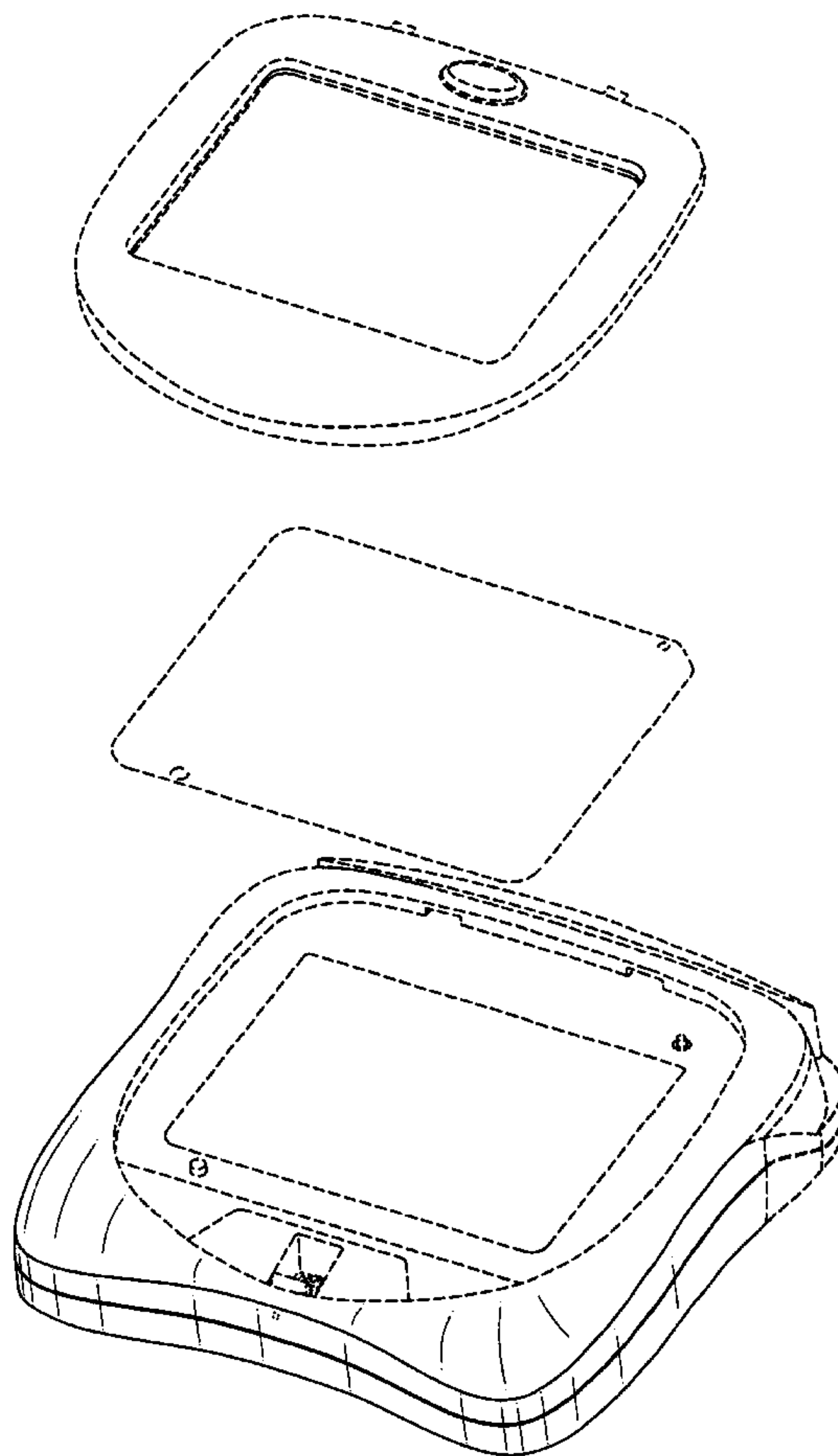
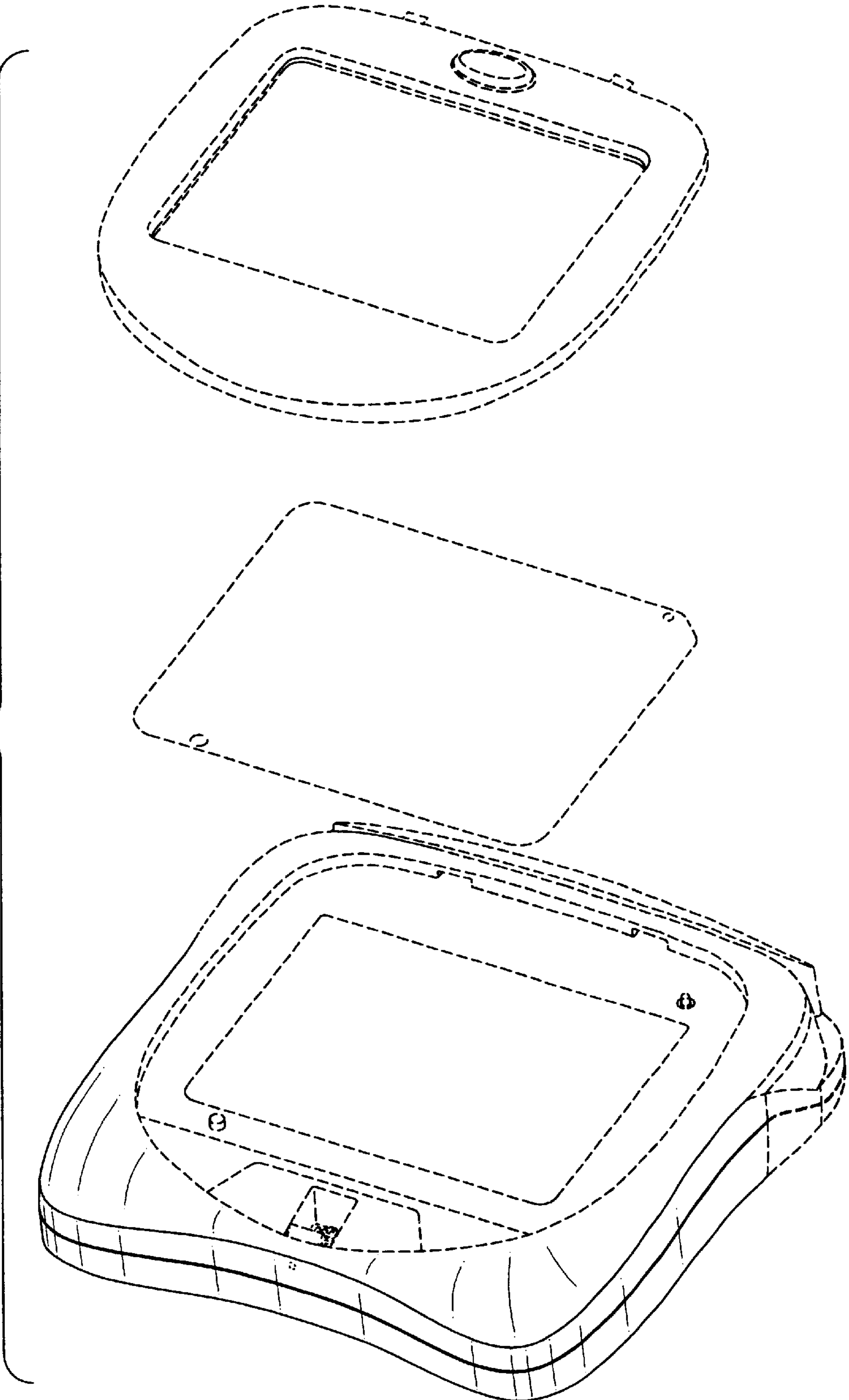


FIG.1



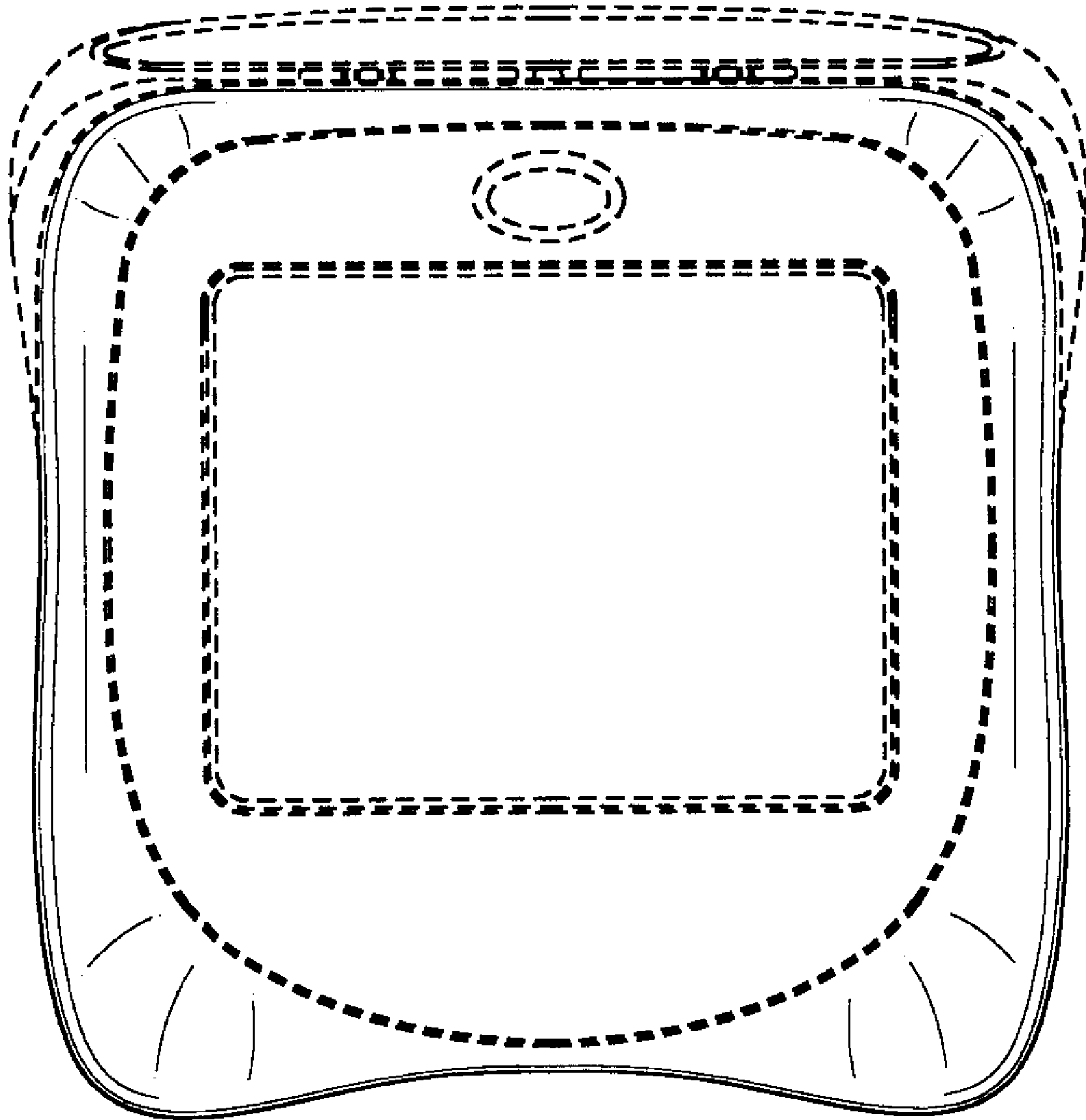


FIG.2