

US00D528144S

(12) **United States Design Patent**
Takemasa

(10) **Patent No.:** **US D528,144 S**

(45) **Date of Patent:** **** Sep. 12, 2006**

(54) **SURVEILLANCE VIDEO CAMERA**

(75) Inventor: **Hirofumi Takemasa**, Toyonaka (JP)

(73) Assignee: **Matsushita Electric Industrial Co., Ltd.**, Osaka (JP)

(**) Term: **14 Years**

(21) Appl. No.: **29/226,173**

(22) Filed: **Mar. 24, 2005**

(30) **Foreign Application Priority Data**

Sep. 27, 2004 (JP) 2004-029125

(51) **LOC (8) Cl.** **16-01**

(52) **U.S. Cl.** **D16/203**

(58) **Field of Classification Search** D16/200–205,
D16/208, 218; 348/143, 151, 373–376; 358/906;
396/427, 433, 535–541

See application file for complete search history.

(56) **References Cited**

U.S. PATENT DOCUMENTS

D244,931 S	*	7/1977	Miller et al.	D16/205
4,485,407 A		11/1984	Böhm et al.		
D307,915 S		5/1990	Kuester et al.		
D366,270 S		1/1996	Hasegawa		
D366,271 S		1/1996	Hasegawa		
D373,593 S		9/1996	Hiroko et al.		
5,631,699 A		5/1997	Saito		
D392,300 S	*	3/1998	Chow et al.	D16/203
5,790,910 A		8/1998	Haskin		
D409,641 S		5/1999	Uehara		
D410,936 S		6/1999	Isono		
D416,033 S		11/1999	Kitera		
D416,272 S		11/1999	Adachi		
D426,844 S		6/2000	Fujii		
D438,227 S		2/2001	Grotto		
D446,801 S		8/2001	Adachi et al.		

6,375,369 B1	4/2002	Schneider et al.	
6,392,704 B1	5/2002	Garcia-Ortiz	
D470,520 S	2/2003	Yamakawa et al.	
D472,913 S	4/2003	Rupe	
6,618,092 B1	9/2003	Alessio et al.	
D481,407 S	10/2003	Alessio	
D489,744 S	5/2004	Muto	
D497,928 S	11/2004	Cheng-Yuan	
6,830,387 B1	12/2004	Rife	
D514,150 S	* 1/2006	Muto et al. D16/203
D515,607 S	* 2/2006	Cheng D16/203
2001/0015765 A1	* 8/2001	Marchesini 348/373

FOREIGN PATENT DOCUMENTS

JP	943039	1/1993
JP	964610	9/1996
JP	1066322	4/2000
JP	D1080171	7/2000
JP	D1098427	1/2001
JP	D1141504	5/2002

* cited by examiner

Primary Examiner—Adir Aronovich

(74) *Attorney, Agent, or Firm*—Brinks Hofer Gilson & Lione

(57) **CLAIM**

I claim the ornamental design for a surveillance video camera, as shown and described.

DESCRIPTION

FIG. 1 is a top perspective view of a surveillance video camera of the present invention; FIG. 2 is a front view thereof; FIG. 3 is a top view thereof; FIG. 4 is a first side view thereof; FIG. 5 is a second side view thereof; FIG. 6 is a bottom view thereof; and, FIG. 7 is a rear view thereof.

1 Claim, 4 Drawing Sheets

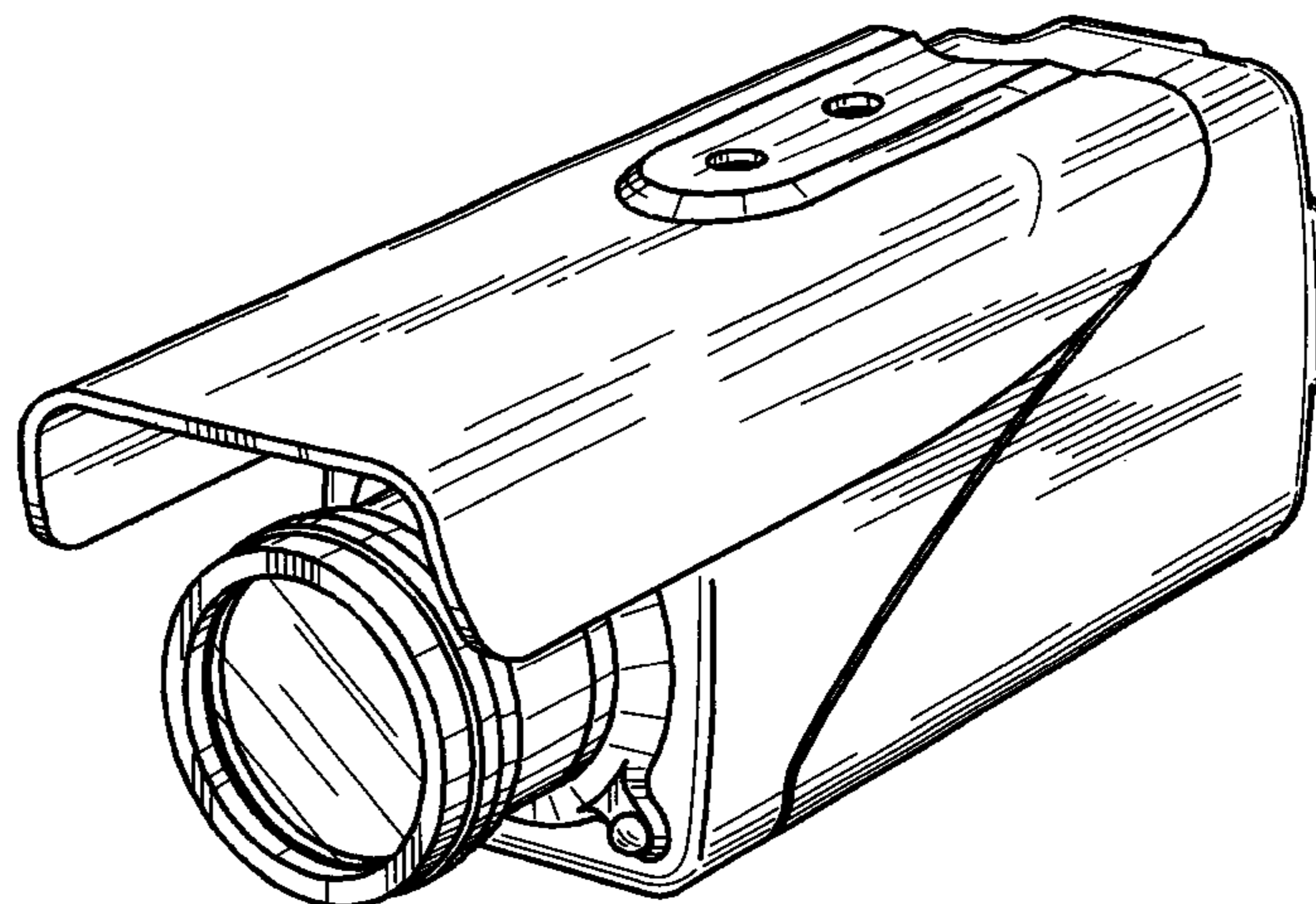


FIG.1

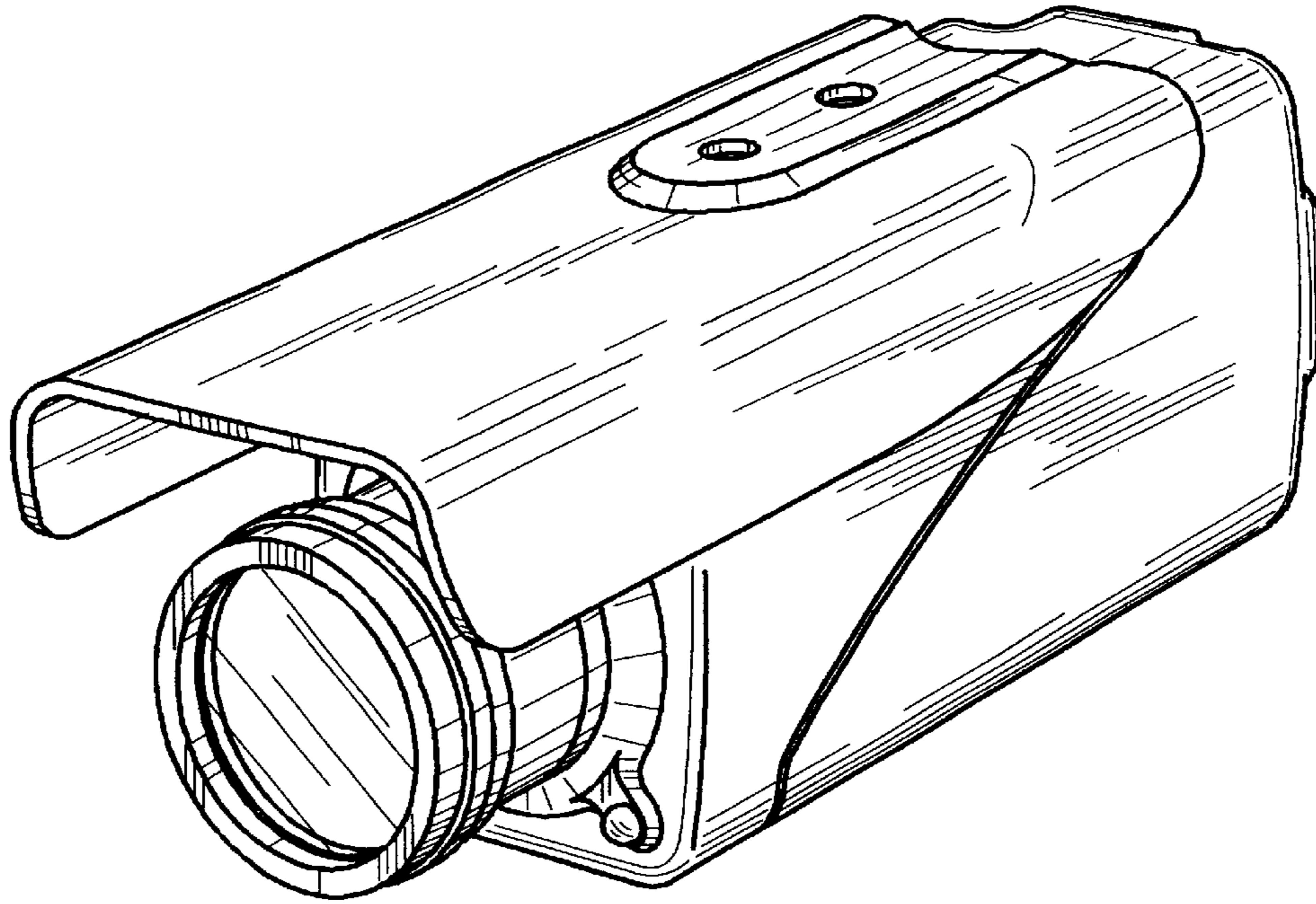


FIG.2

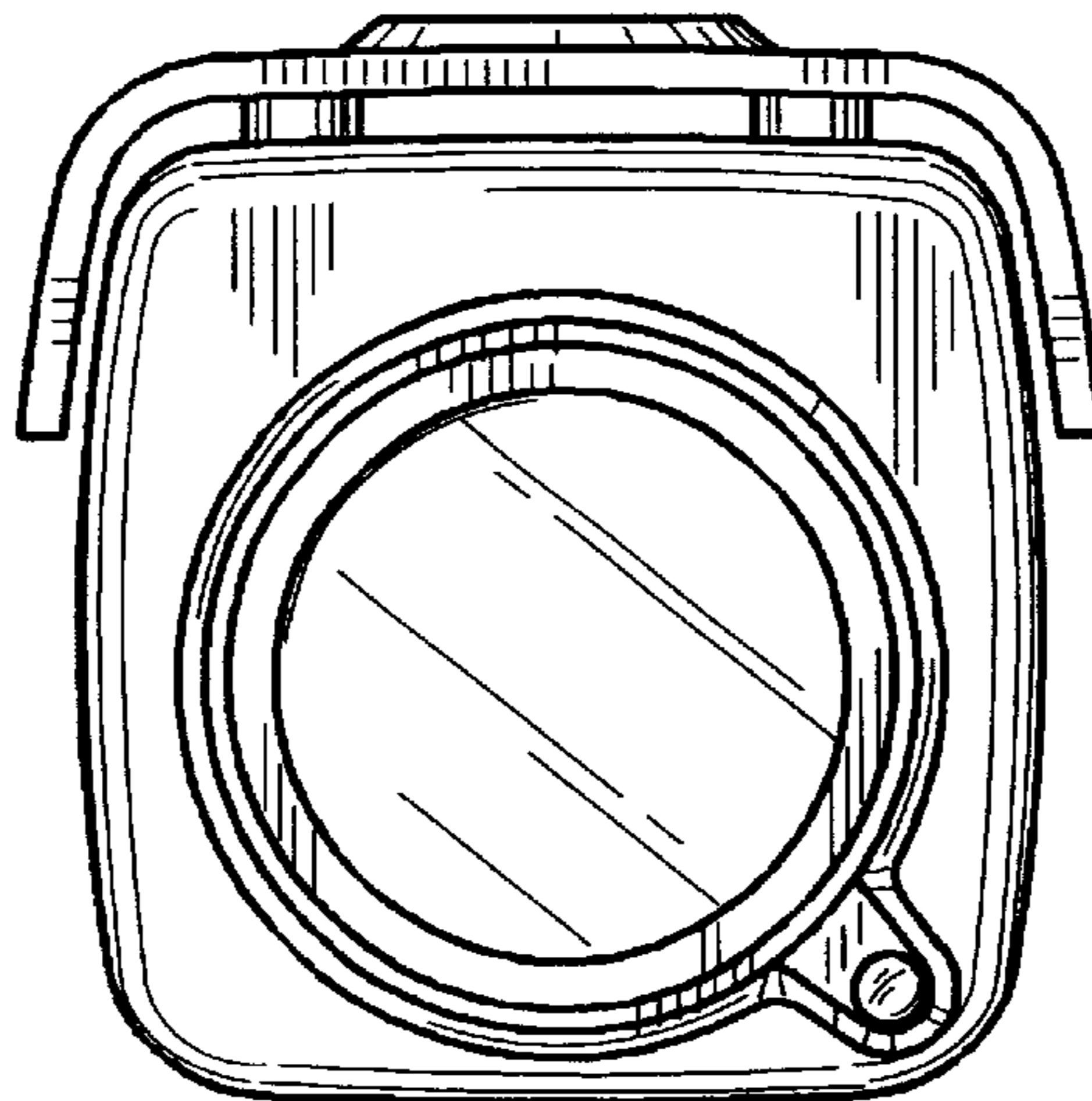


FIG.3

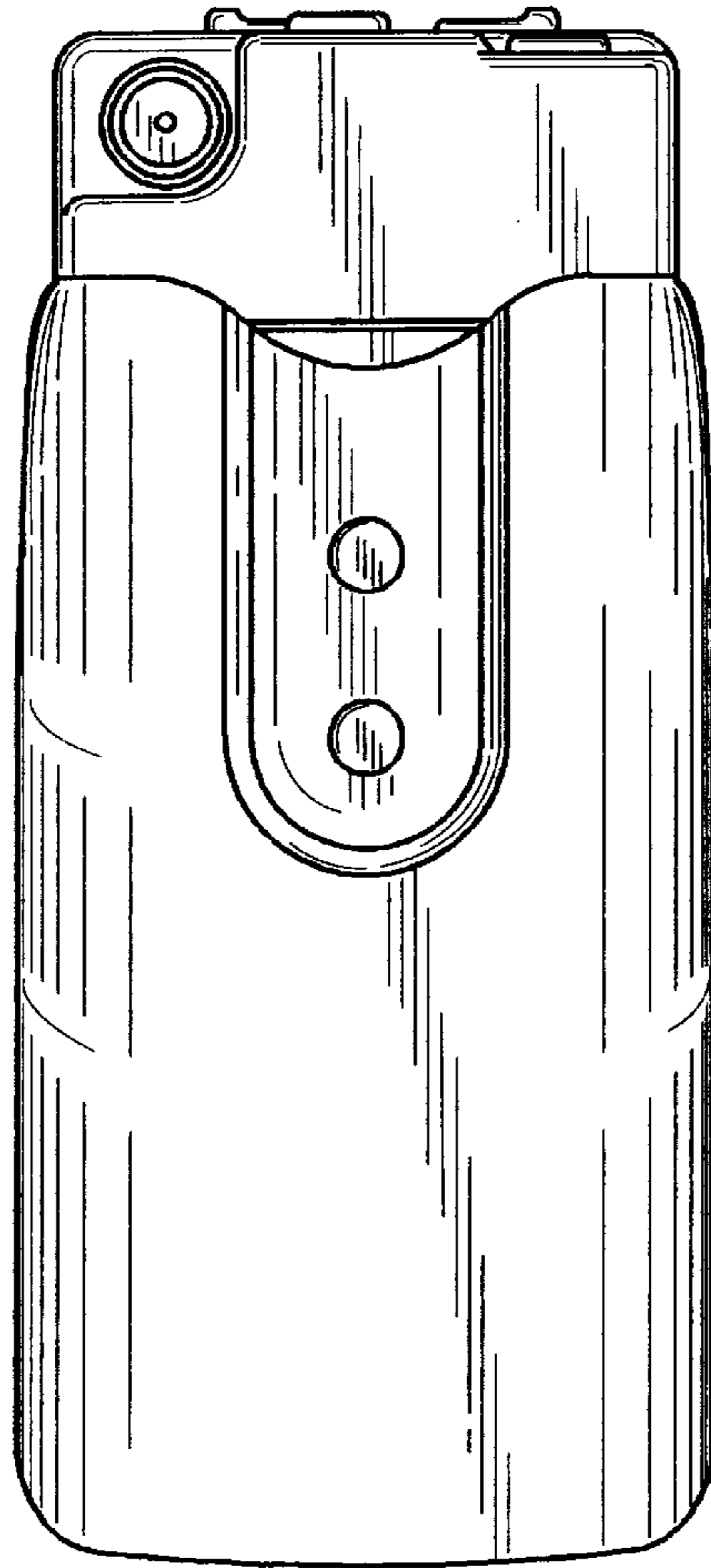


FIG.4

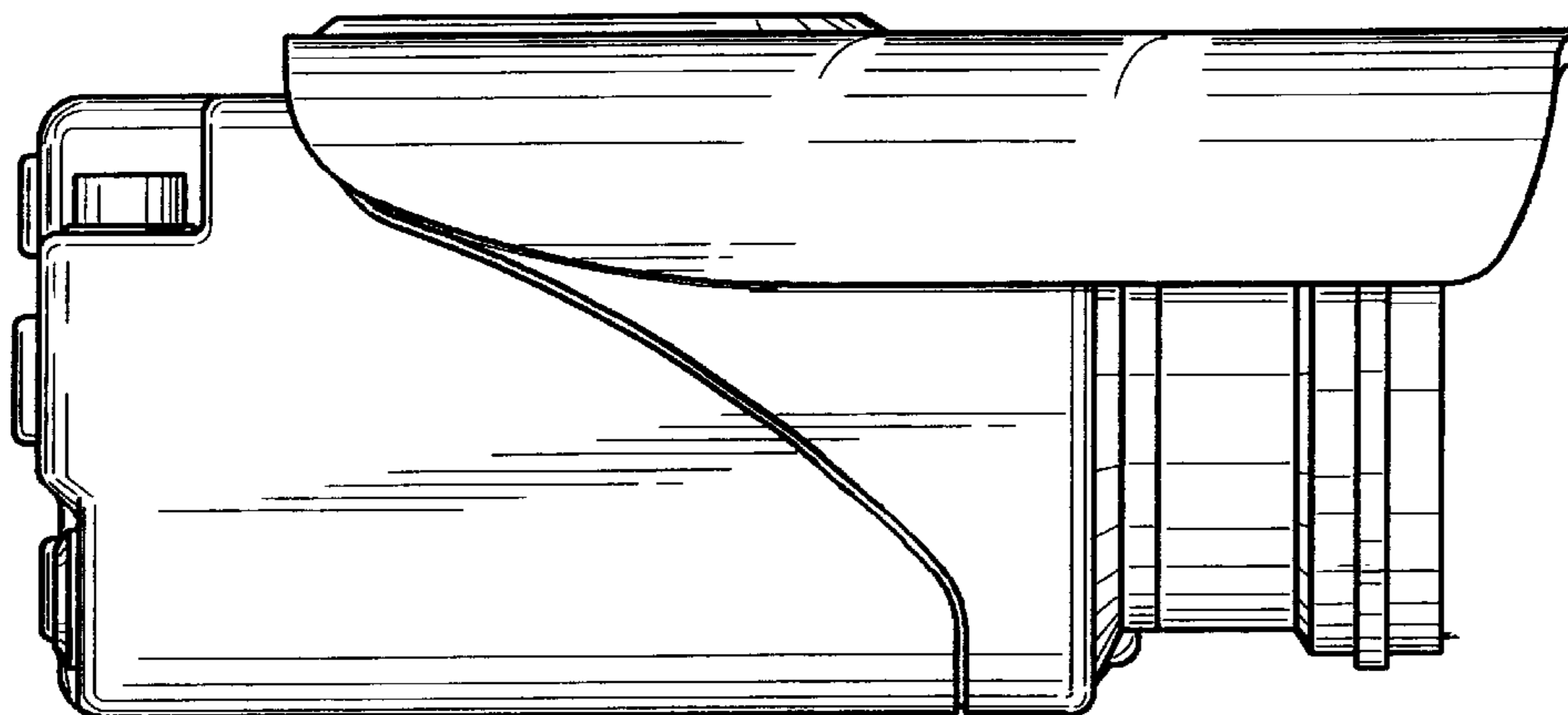


FIG.5

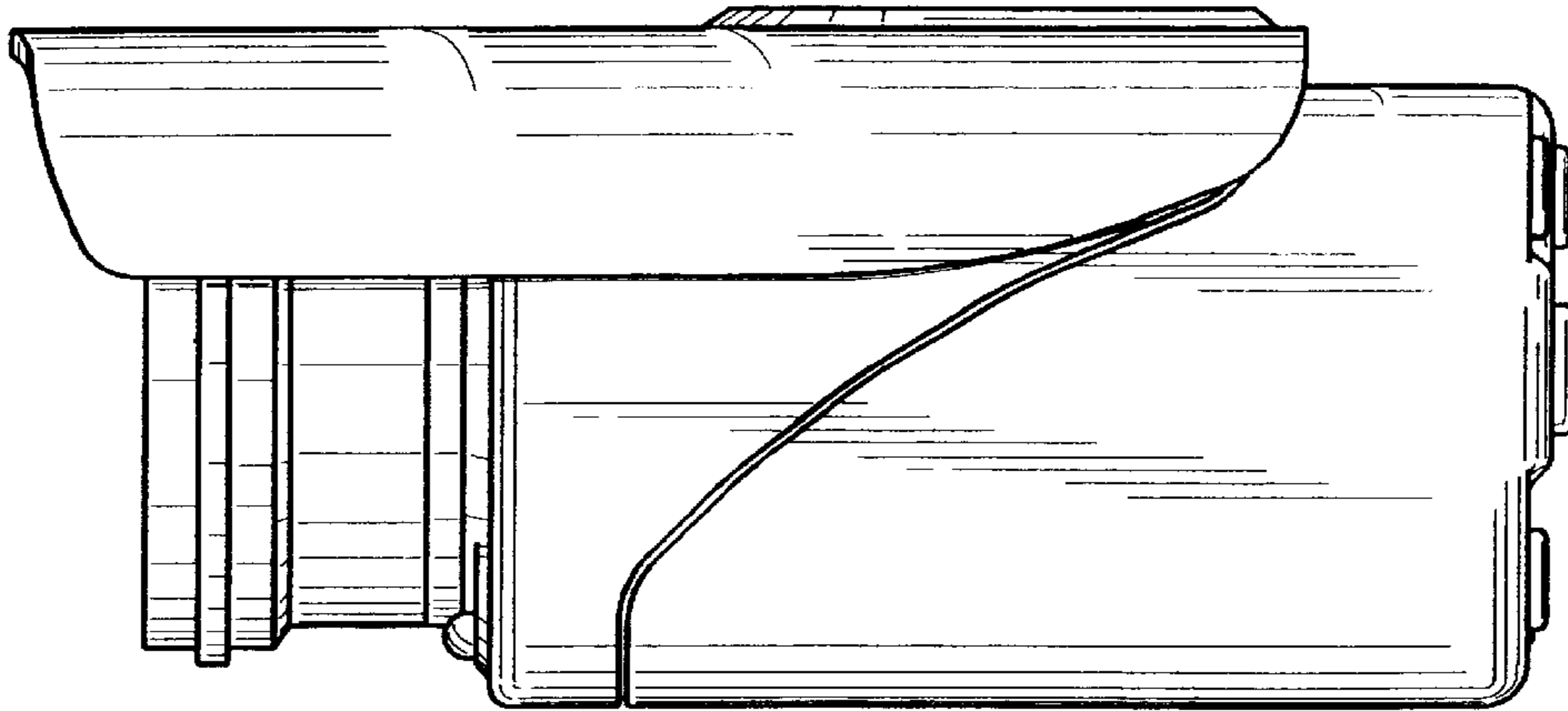


FIG.6

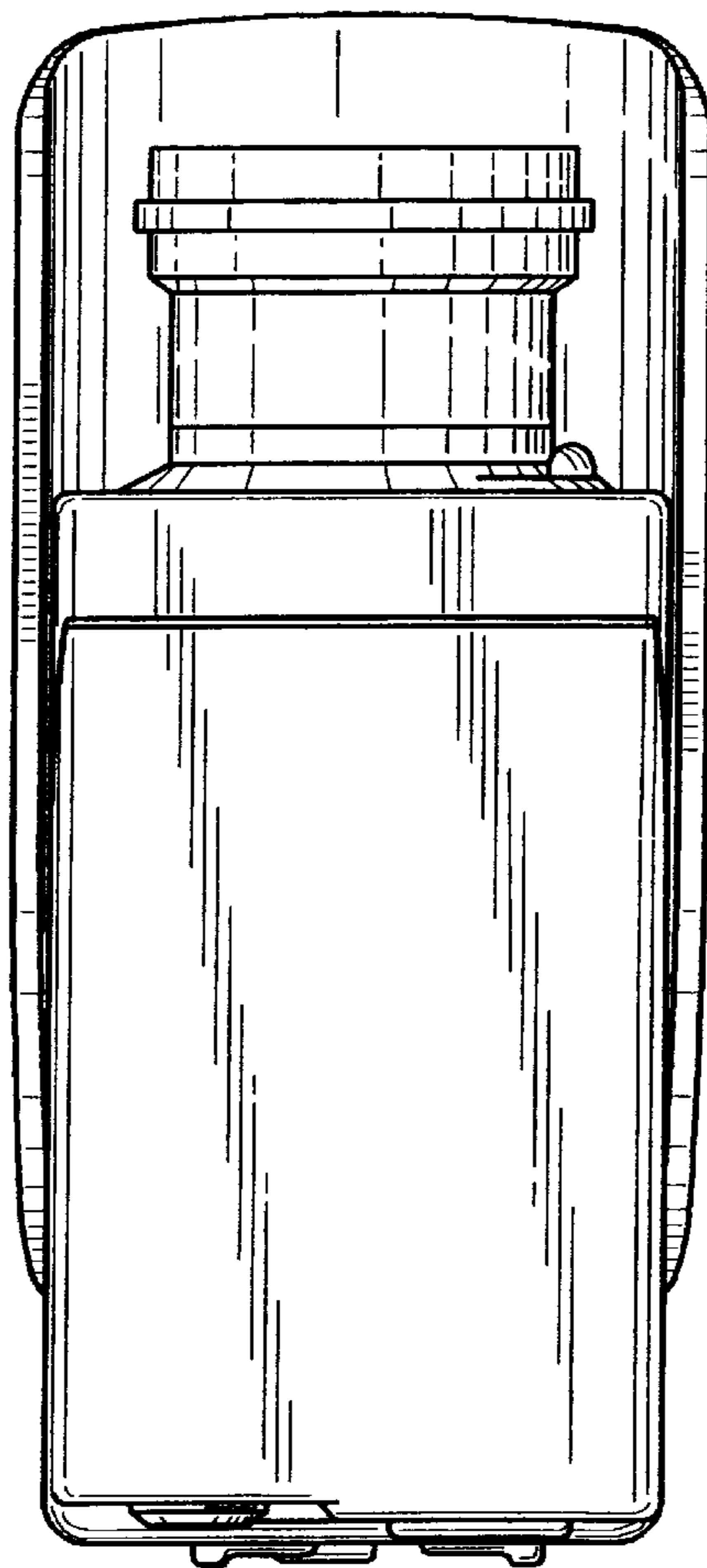


FIG.7

