

US00D528143S

(12) **United States Design Patent**
Walter et al.

(10) **Patent No.:** **US D528,143 S**

(45) **Date of Patent:** **** Sep. 12, 2006**

(54) **CAMERA**

(75) Inventors: **Mathias Walter**, Malmo (SE); **Morten Bergstrom**, Trelleborg (SE); **Oscar Strand**, Malmo (SE); **Carl-Axel Alm**, Lund (SE)

(73) Assignee: **Axis, AB**, Lund (SE)

(**) Term: **14 Years**

(21) Appl. No.: **29/211,798**

(22) Filed: **Aug. 20, 2004**

(30) **Foreign Application Priority Data**

Feb. 23, 2004 (EM) 139811

(51) **LOC (8) Cl.** **16-01**

(52) **U.S. Cl.** **D16/203**

(58) **Field of Classification Search** D16/200-205,
D16/208, 218, 230, 231; 348/373-376; 358/906,
358/909.1; 396/535-541

See application file for complete search history.

(56) **References Cited**

U.S. PATENT DOCUMENTS

D227,504 S * 6/1973 Lang D16/202

D277,961 S * 3/1985 Shimizu et al. D16/202

D339,817 S * 9/1993 Fukuda et al. D16/205

D479,551 S * 9/2003 Min et al. D16/230

6,683,654 B1 * 1/2004 Haijima 348/374

D489,386 S * 5/2004 Lewellen et al. D16/203

* cited by examiner

Primary Examiner—Adir Aronovich

(74) *Attorney, Agent, or Firm*—IP Creators; Charles C. Cary

(57) **CLAIM**

The ornamental design for a camera, as shown and described.

DESCRIPTION

FIG. 1 is a front, top and left side perspective view of a camera showing our new design;

FIG. 2 is a rear, bottom and right side perspective view thereof;

FIG. 3 is front elevational view thereof;

FIG. 4 is a top plan view thereof;

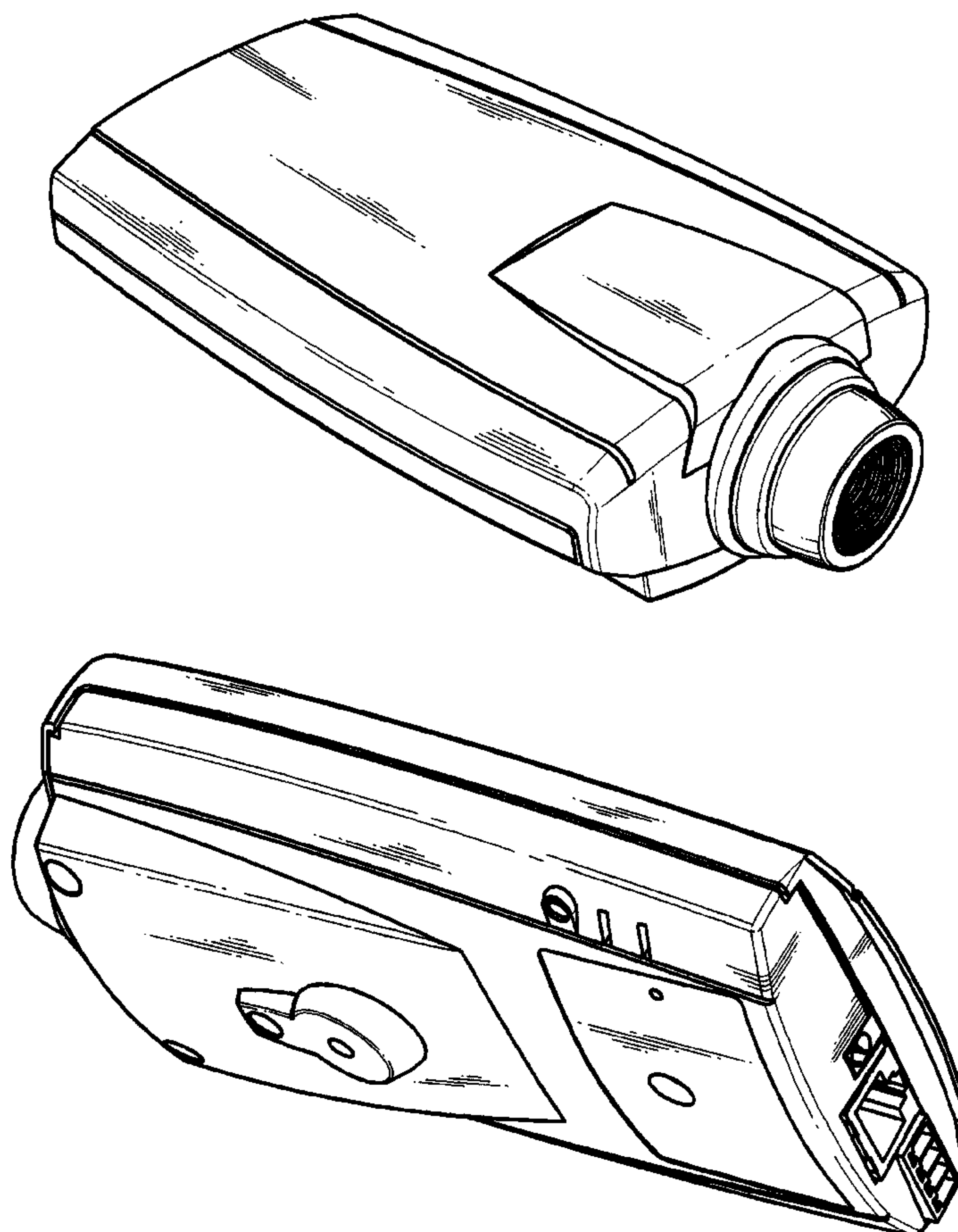
FIG. 5 is a left side elevational view thereof;

FIG. 6 is a right side elevational view thereof;

FIG. 7 is rear elevational view thereof; and,

FIG. 8 is a bottom plan view thereof.

1 Claim, 4 Drawing Sheets



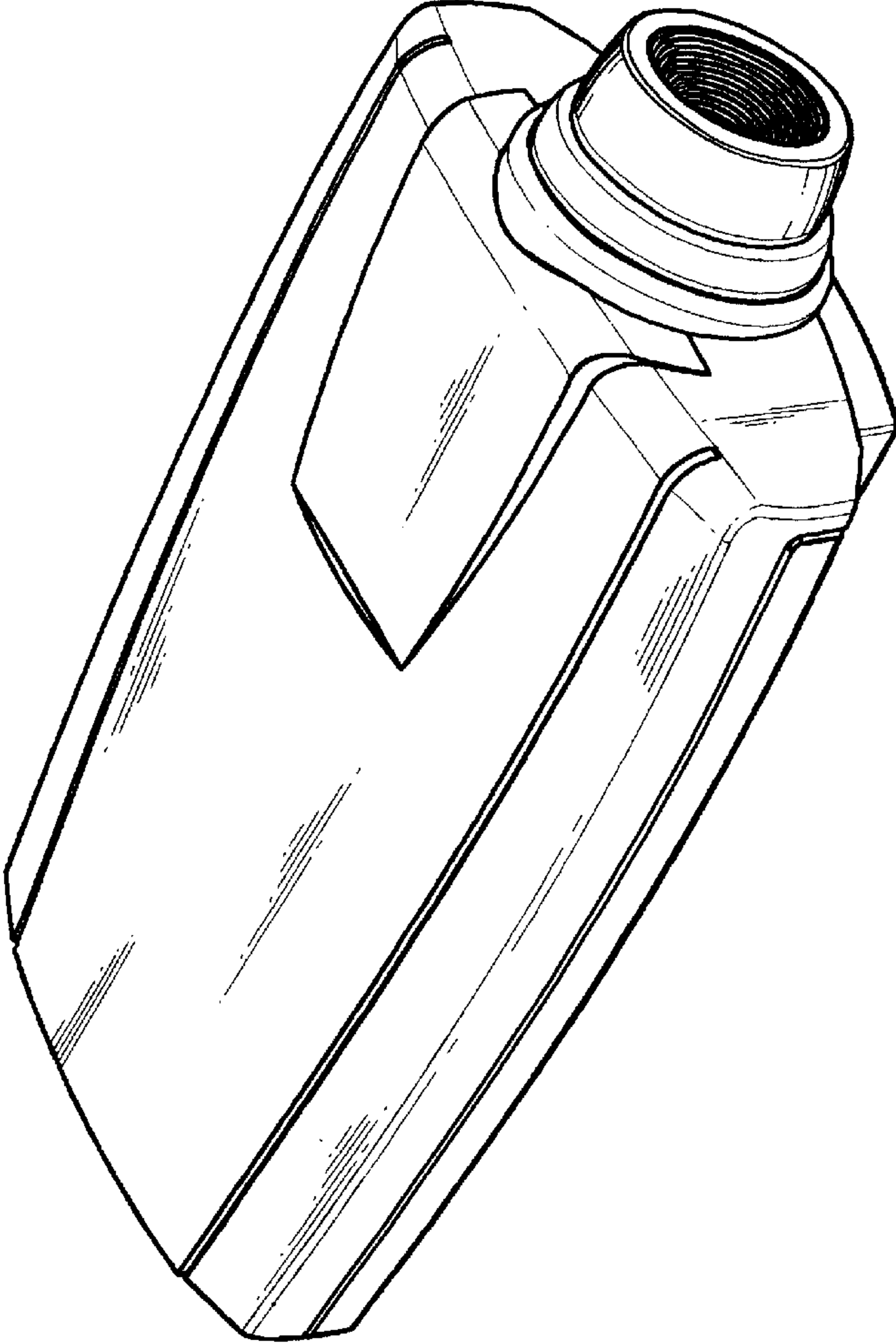


Figure 1

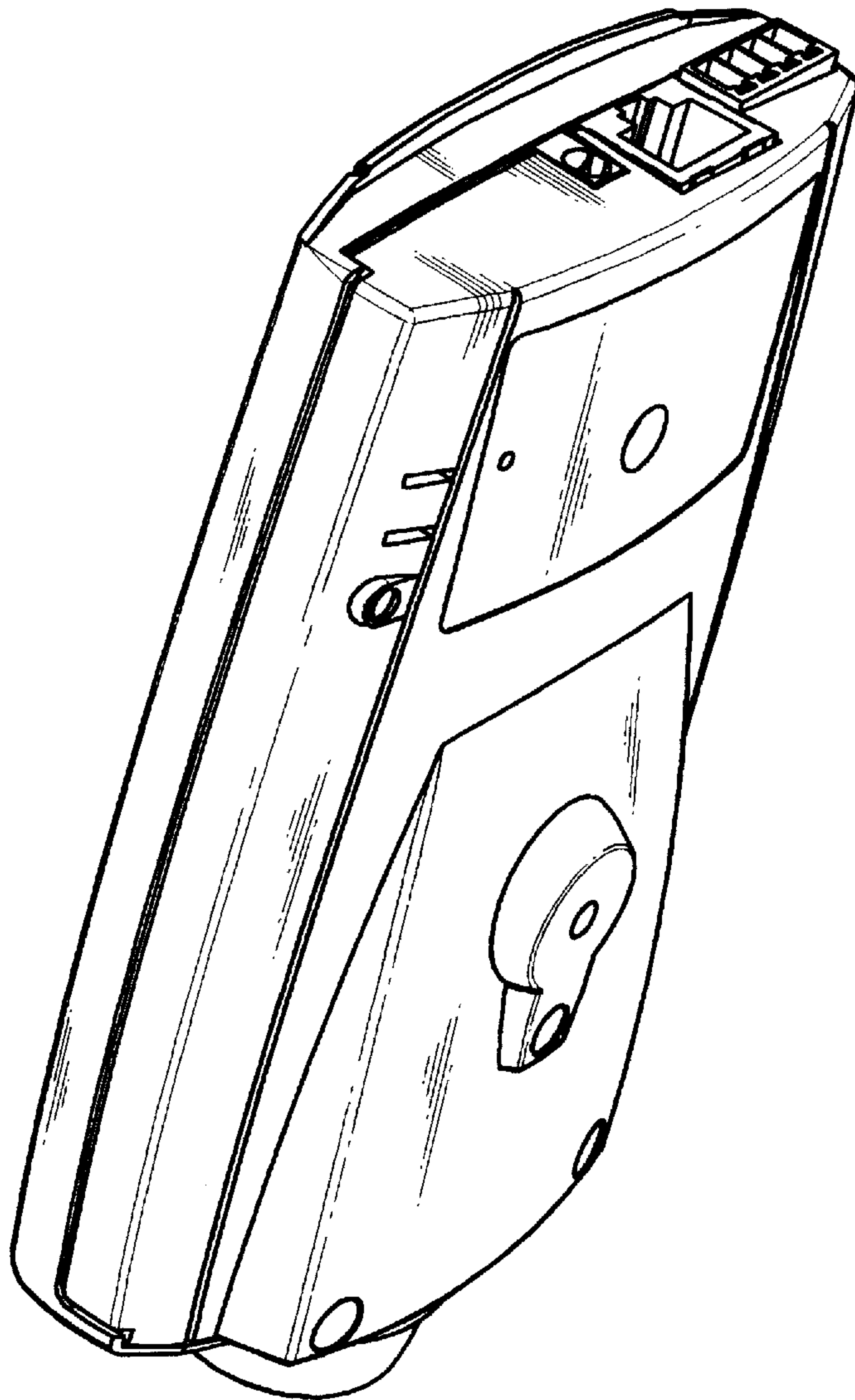


Figure 2

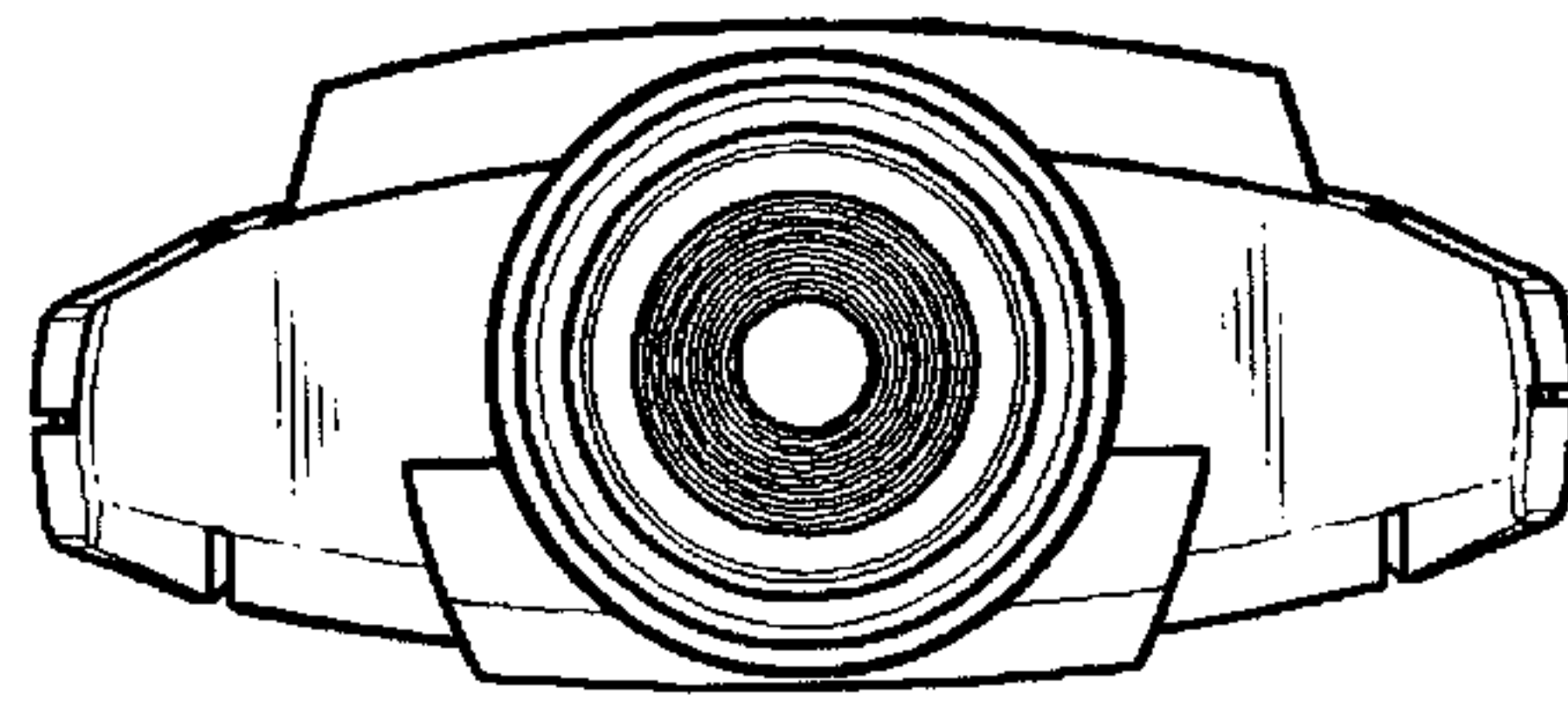


Figure 3

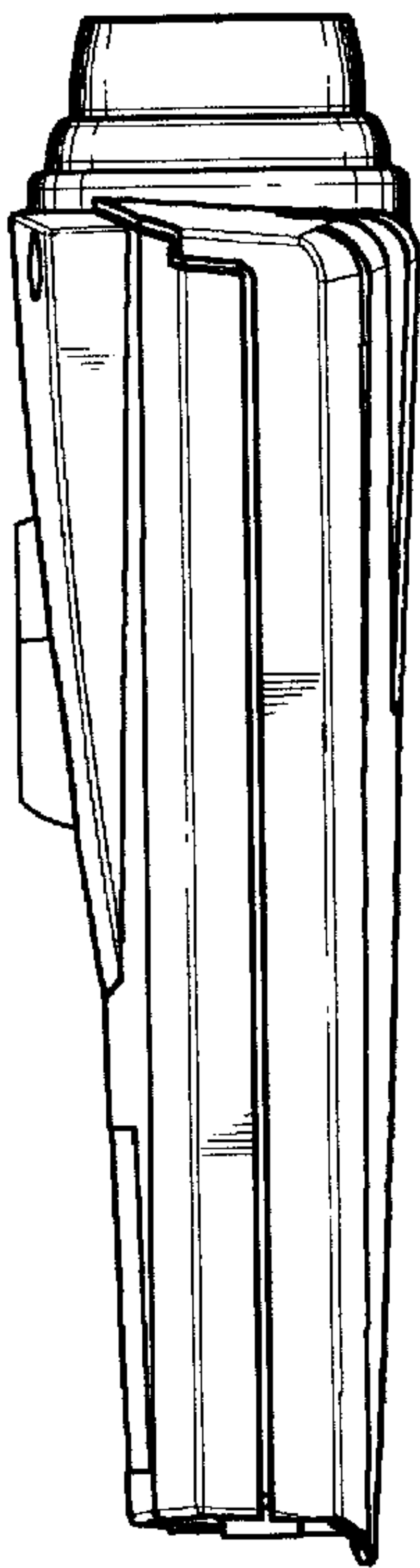


Figure 6

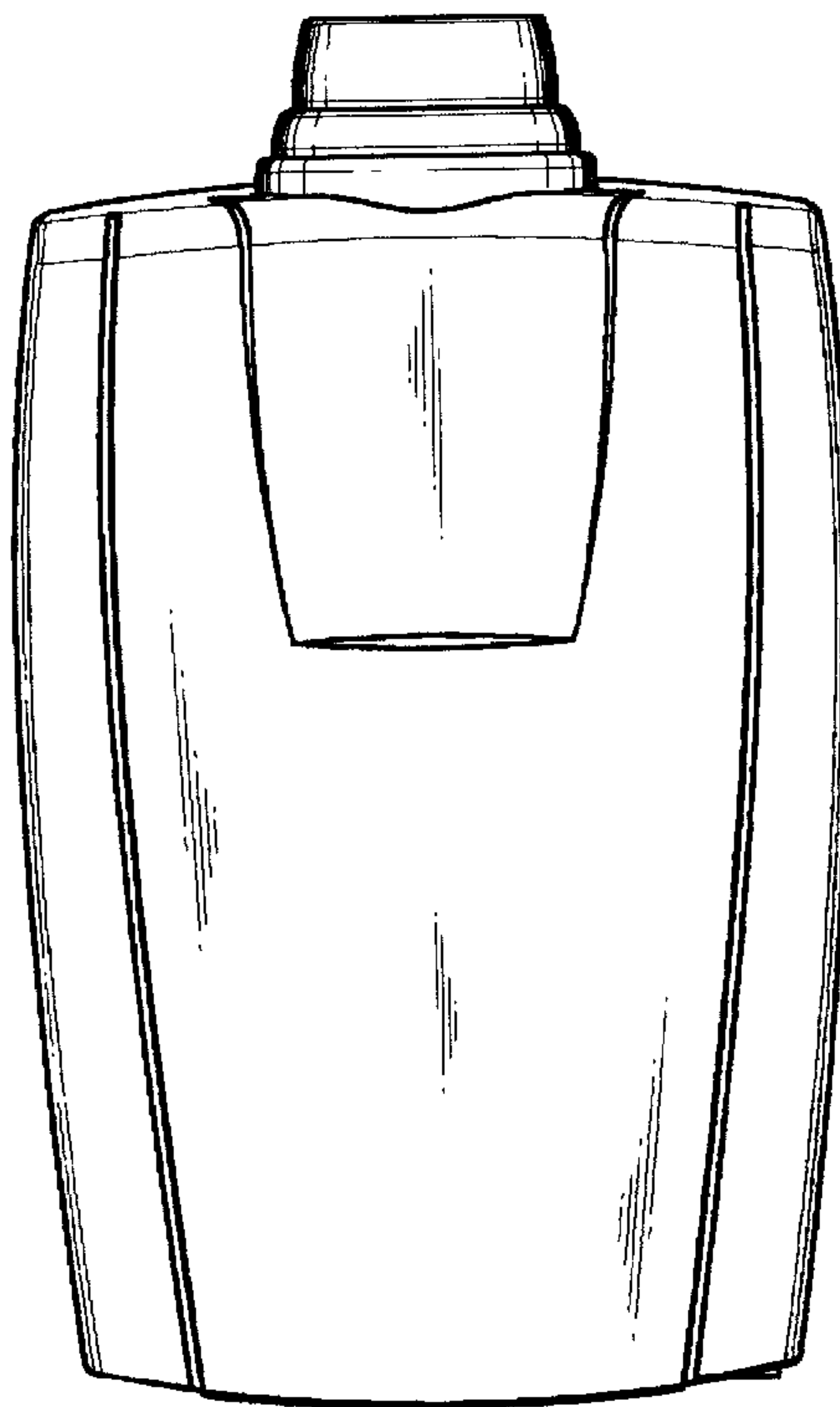


Figure 4

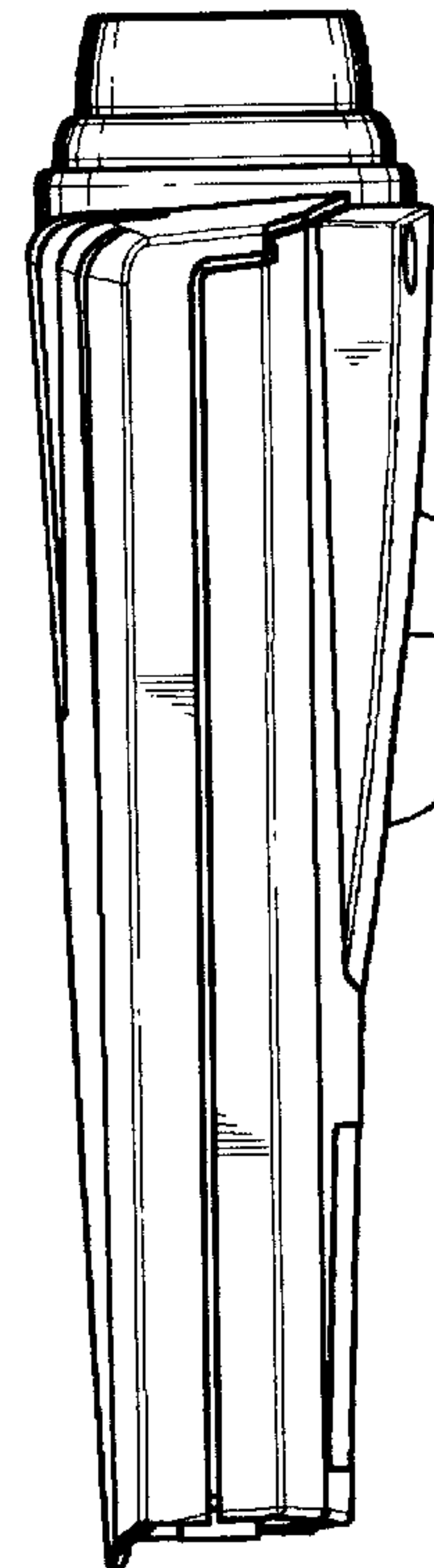


Figure 5

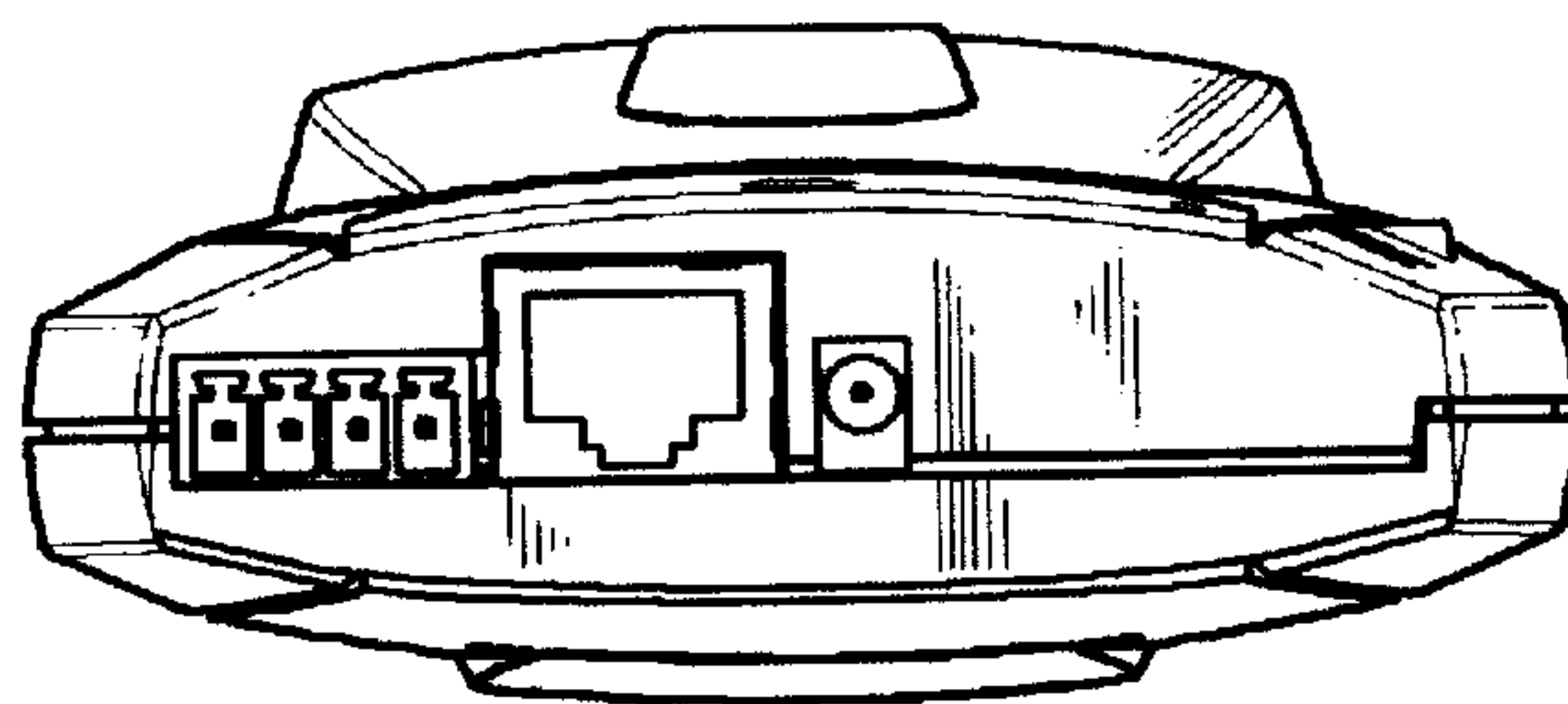


Figure 7

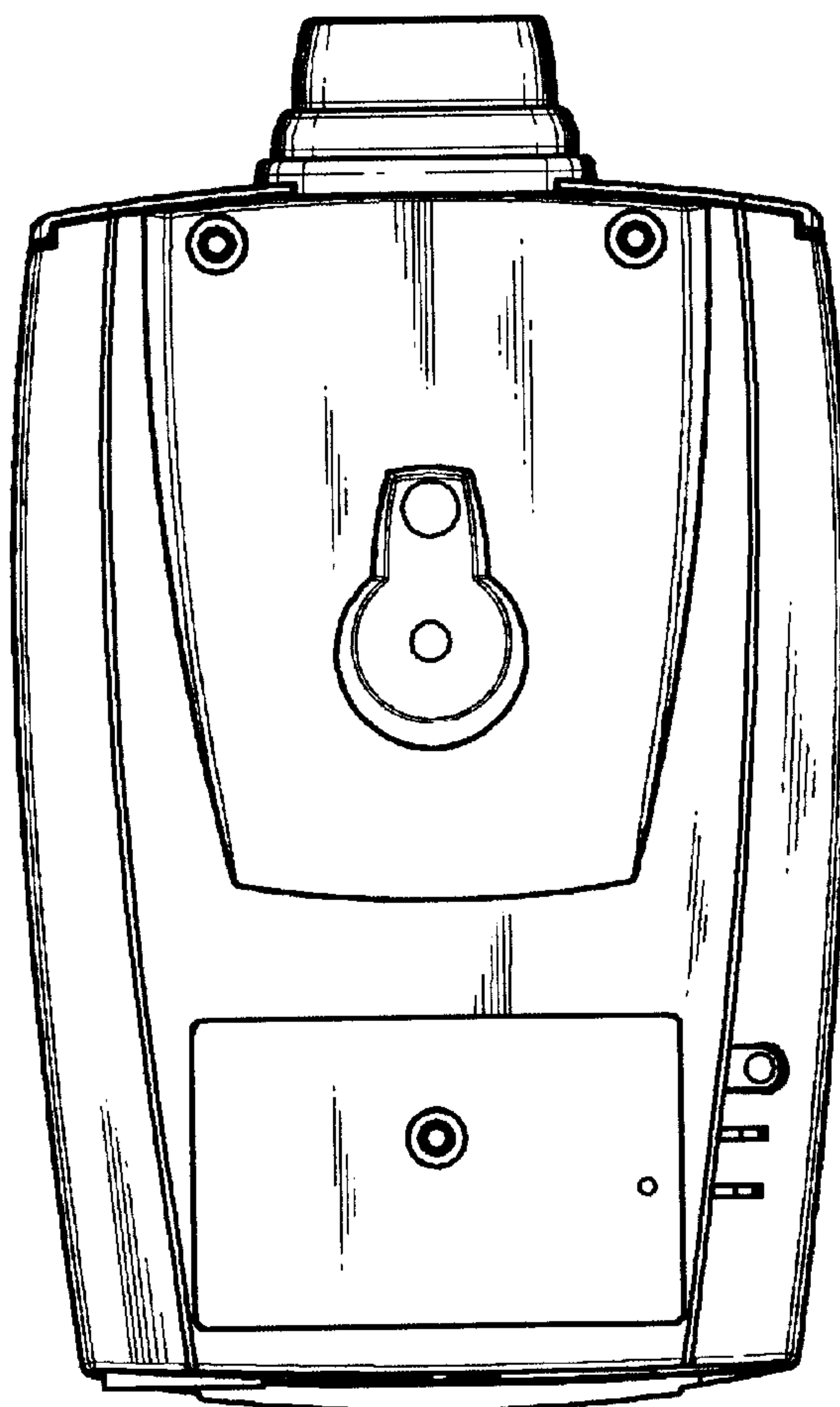


Figure 8