



US00D528141S

(12) **United States Design Patent**
Kinemura et al.

(10) **Patent No.:** **US D528,141 S**

(45) **Date of Patent:** **** Sep. 12, 2006**

(54) **DIGITAL CAMERA**

(75) Inventors: **Hiroyuki Kinemura**, Hyougo (JP);
Motohiro Sasada, Hyougo (JP)

(73) Assignee: **Sanyo Electric Co., Ltd.**, Osaka (JP)

(**) Term: **14 Years**

(21) Appl. No.: **29/225,934**

(22) Filed: **Mar. 21, 2005**

(30) **Foreign Application Priority Data**

Sep. 22, 2004 (JP) 2004-028648

(51) **LOC (8) Cl.** **16-01**

(52) **U.S. Cl.** **D16/202**

(58) **Field of Classification Search** D16/200-206,
D16/208, 218; 348/373-376; 358/906, 909.1;
396/535-541

See application file for complete search history.

(56) **References Cited**

U.S. PATENT DOCUMENTS

D396,051 S	*	7/1998	Mori	D16/202
D407,097 S	*	3/1999	Suzuki et al.	D16/202
D463,469 S	*	9/2002	Kawase	D16/202
6,727,954 B1	*	4/2004	Okada et al.	348/374
D499,437 S	*	12/2004	Miyamori et al.	D16/202
D515,605 S	*	2/2006	Hayashi et al.	D16/202

FOREIGN PATENT DOCUMENTS

JP	D1095991	1/2001
JP	D1115913	7/2001
JP	D1142019	5/2002
JP	D1164773	2/2003
JP	D1182226	8/2003

JP	D1195577	1/2004
JP	D1196146	2/2004
JP	D1198208	2/2004

* cited by examiner

Primary Examiner—Adir Aronovich

(74) *Attorney, Agent, or Firm*—Darby & Darby

(57) **CLAIM**

We claim the ornamental design for a digital camera, as shown and described.

DESCRIPTION

FIG. 1 is a front, right side perspective view of our new design for a digital camera with an LCD display rotated inward and closed against the camera body;

FIG. 2 is a rear, right side perspective view of the design shown in FIG. 1;

FIG. 3 is a front, top, right side perspective view of the design shown in FIG. 1 with the LCD display rotated outward away from the camera body;

FIG. 4 is a front elevation view of our new design for a digital camera with the LCD display rotated inward and closed against the camera body;

FIG. 5 is a top plan view of the camera in the configuration of FIG. 1;

FIG. 6 is a rear elevation view of the camera in the configuration of FIG. 1;

FIG. 7 is a bottom plan view of the camera in the configuration of FIG. 1;

FIG. 8 is a left side elevation view of the camera in the configuration of FIG. 1; and,

FIG. 9 is a right side elevation view of the camera in the configuration of FIG. 1.

1 Claim, 3 Drawing Sheets

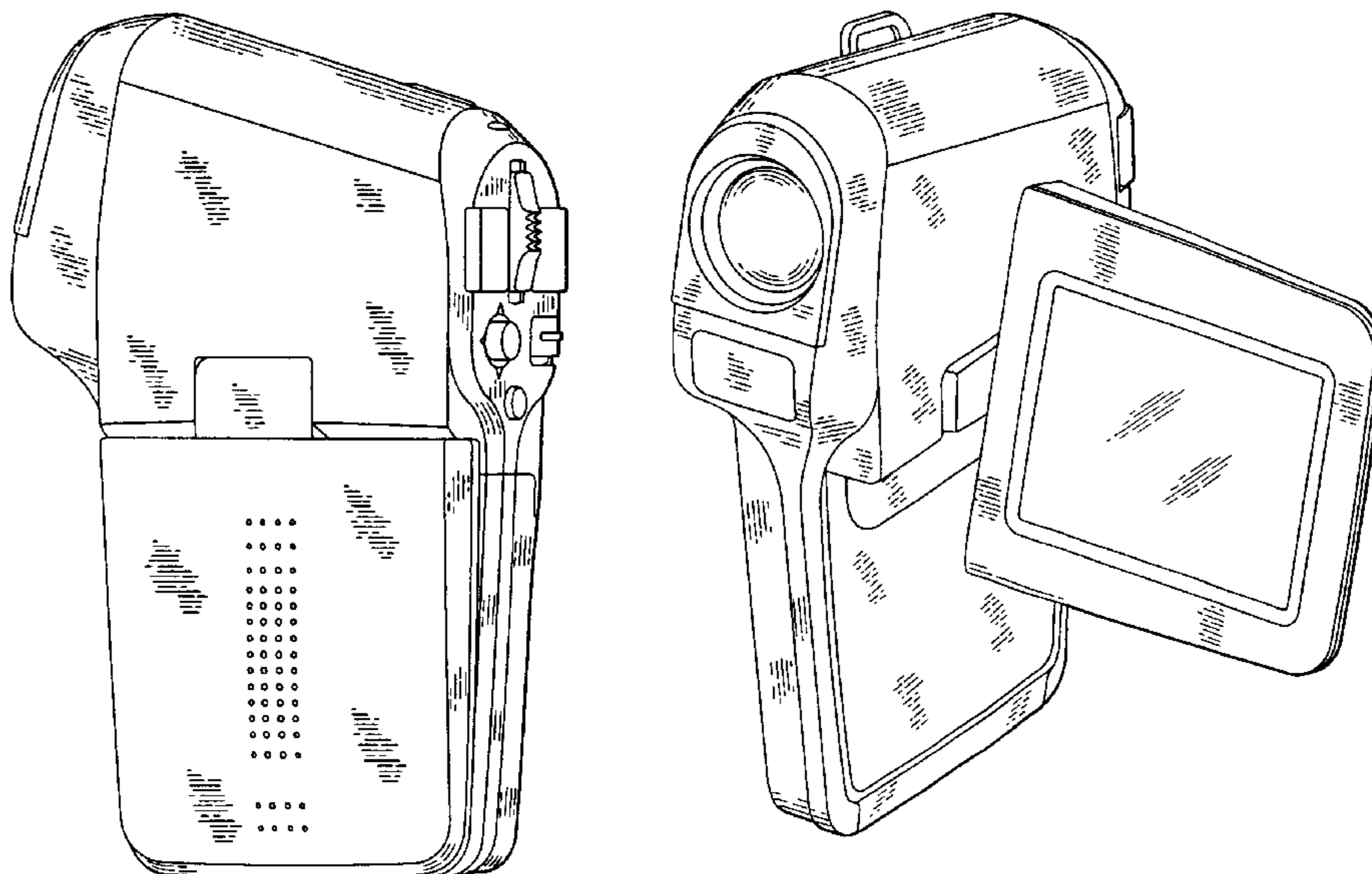


FIG. 3

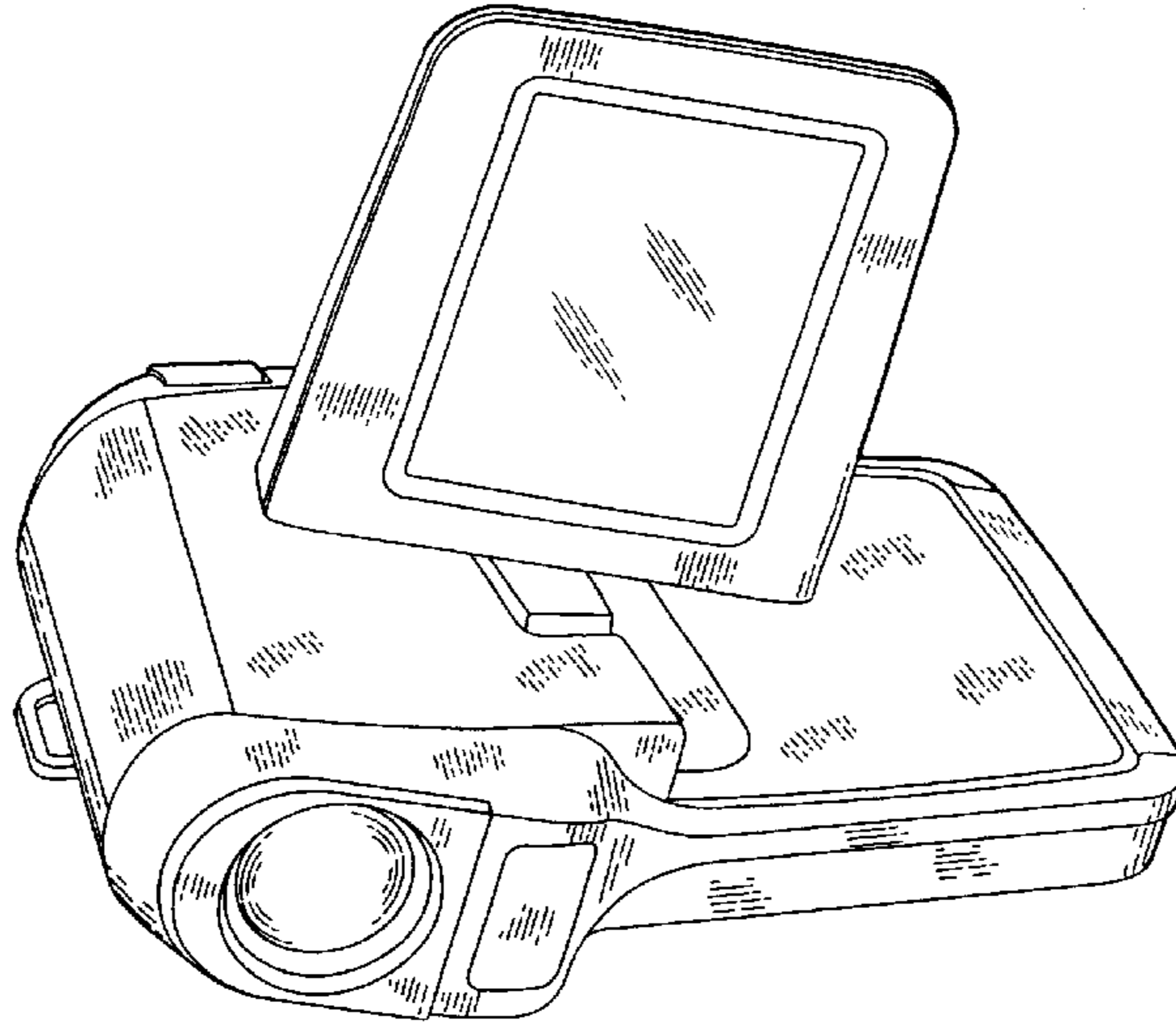


FIG. 2

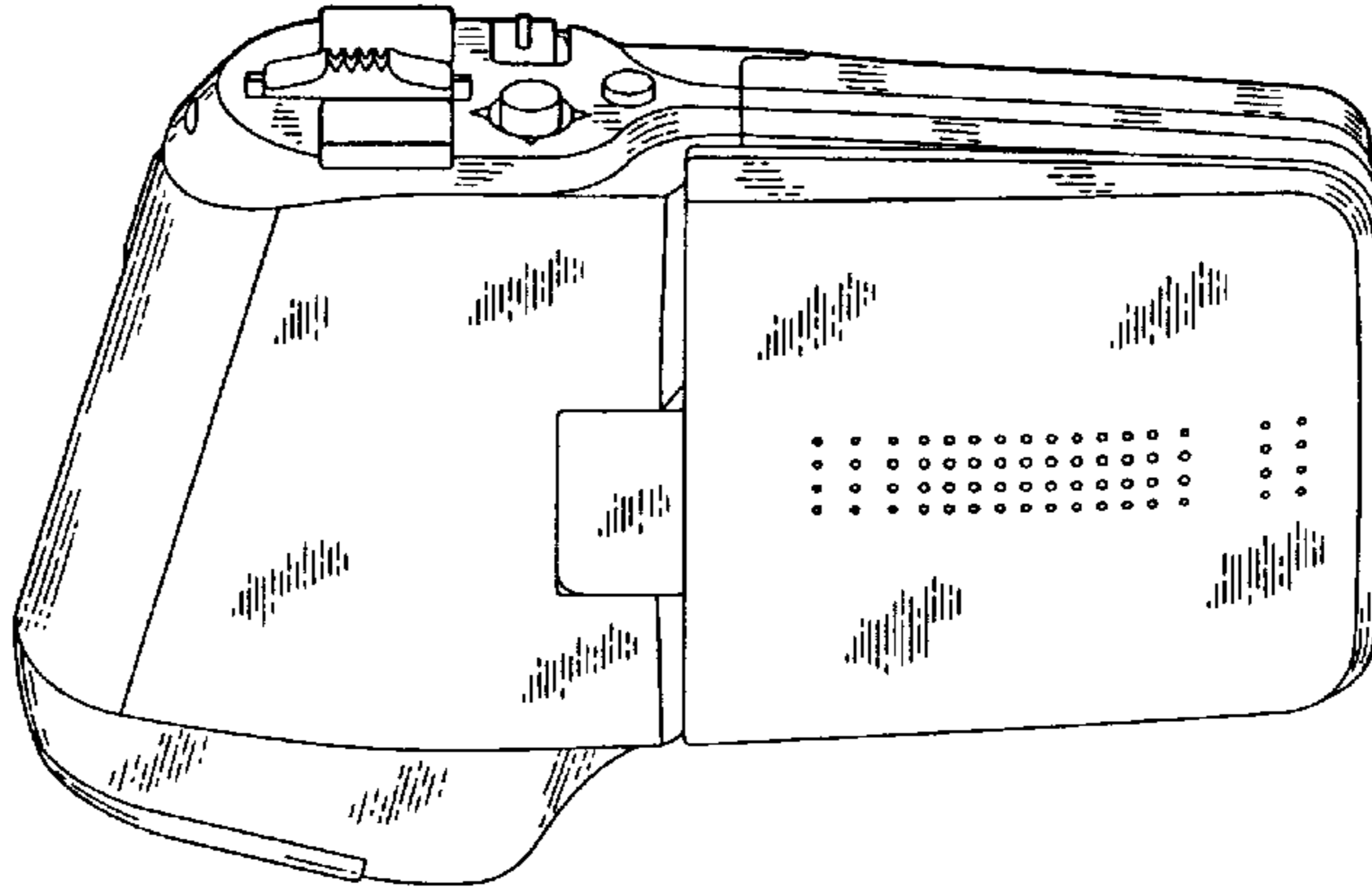


FIG. 1

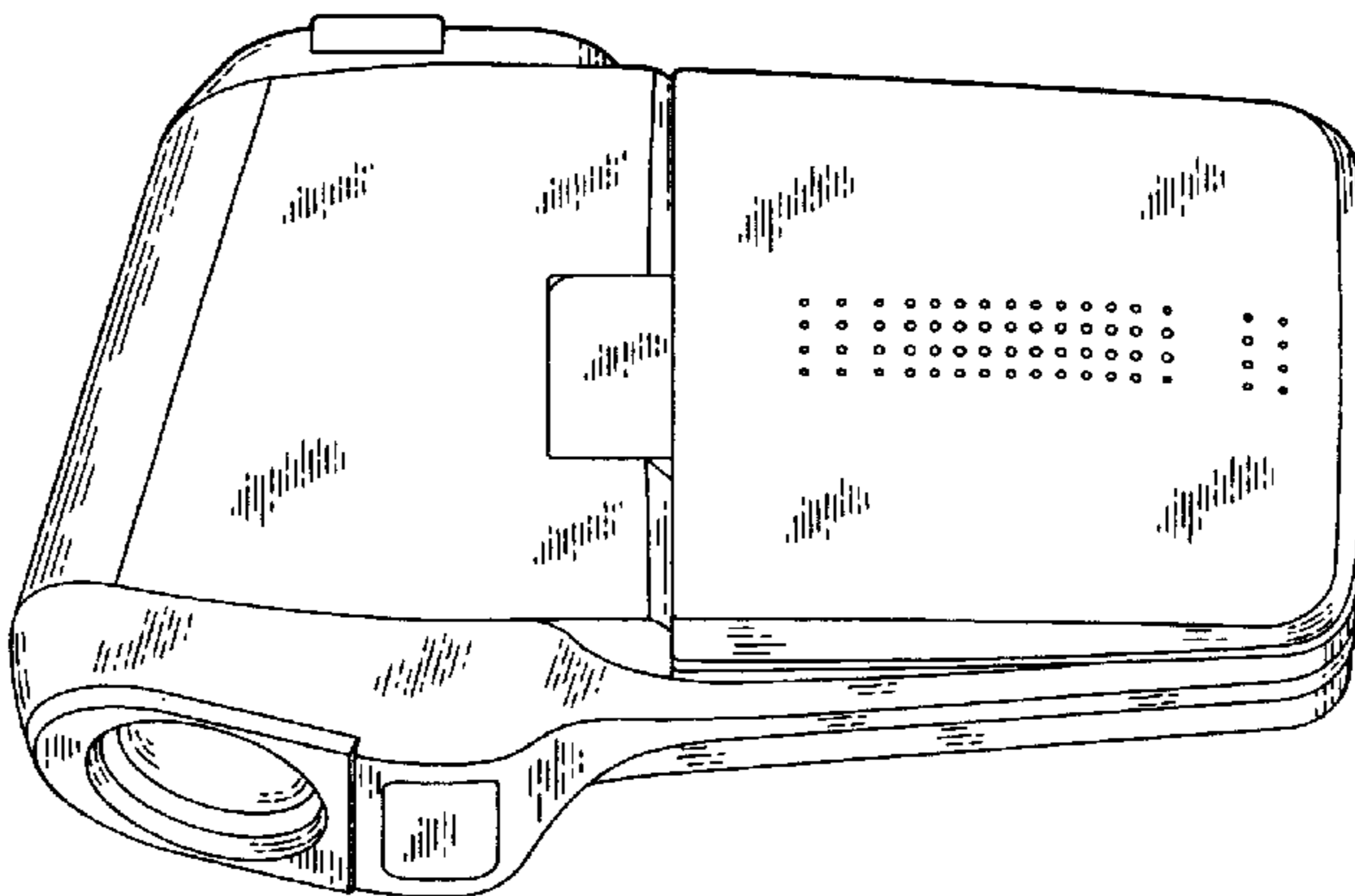


FIG. 6

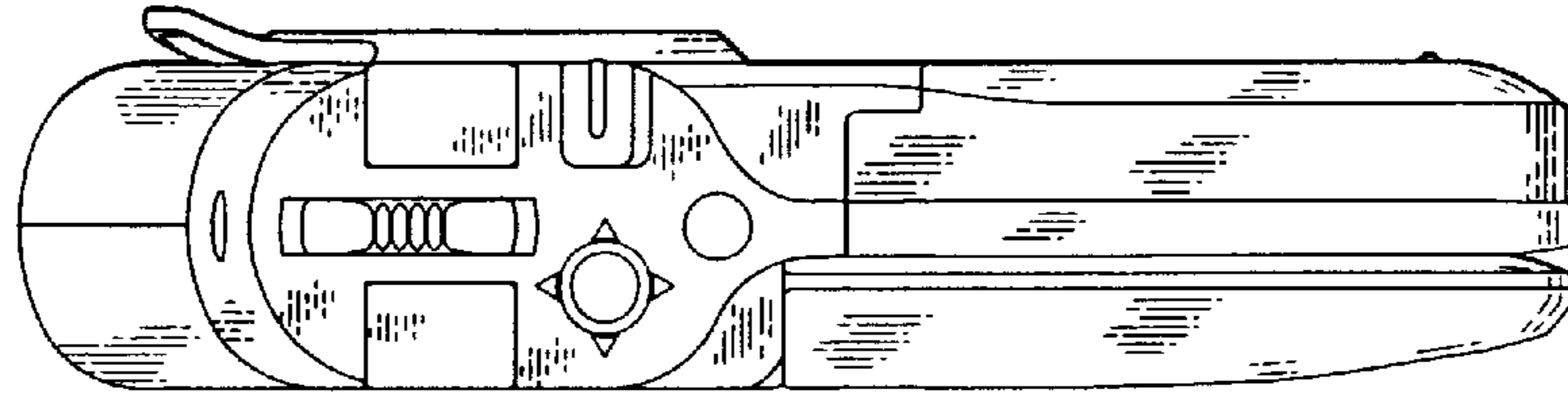


FIG. 5

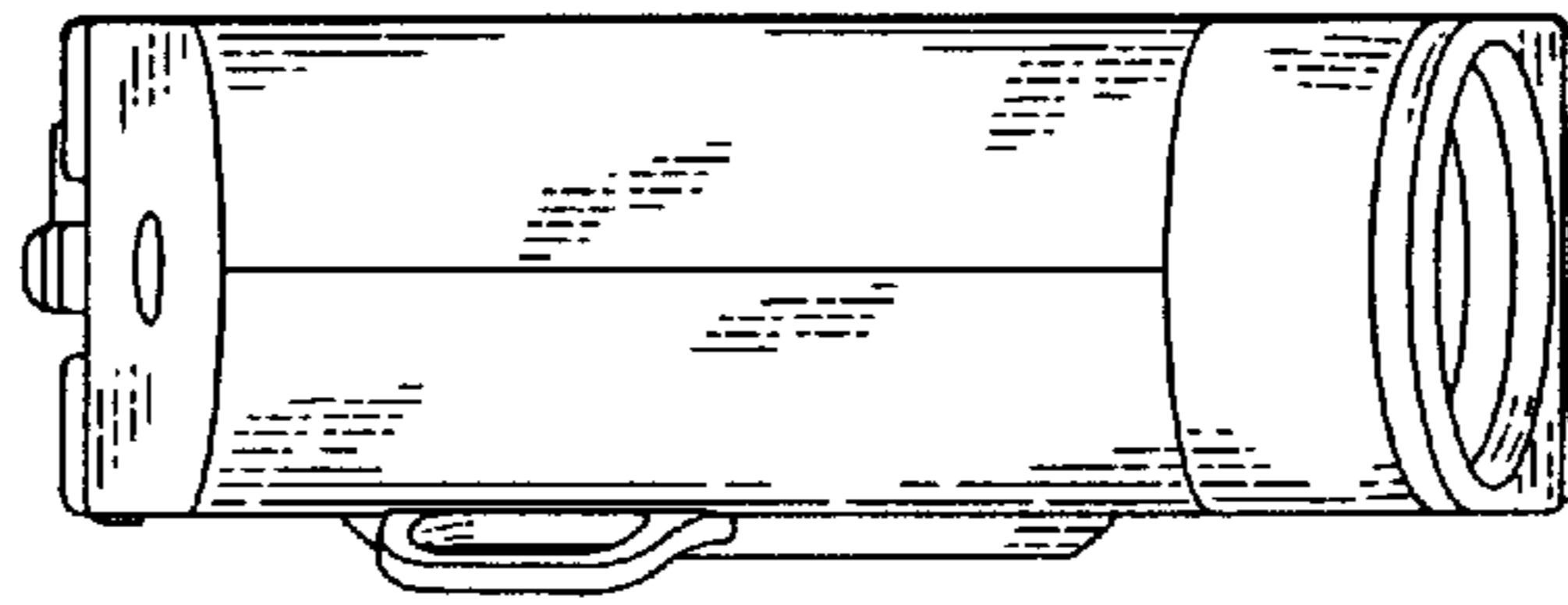


FIG. 4

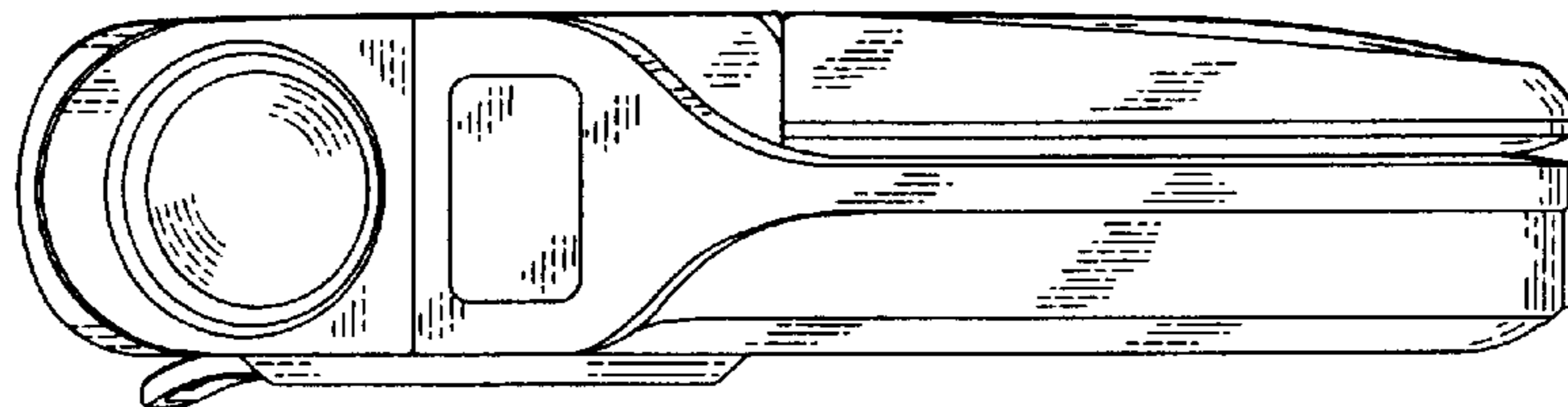


FIG. 9

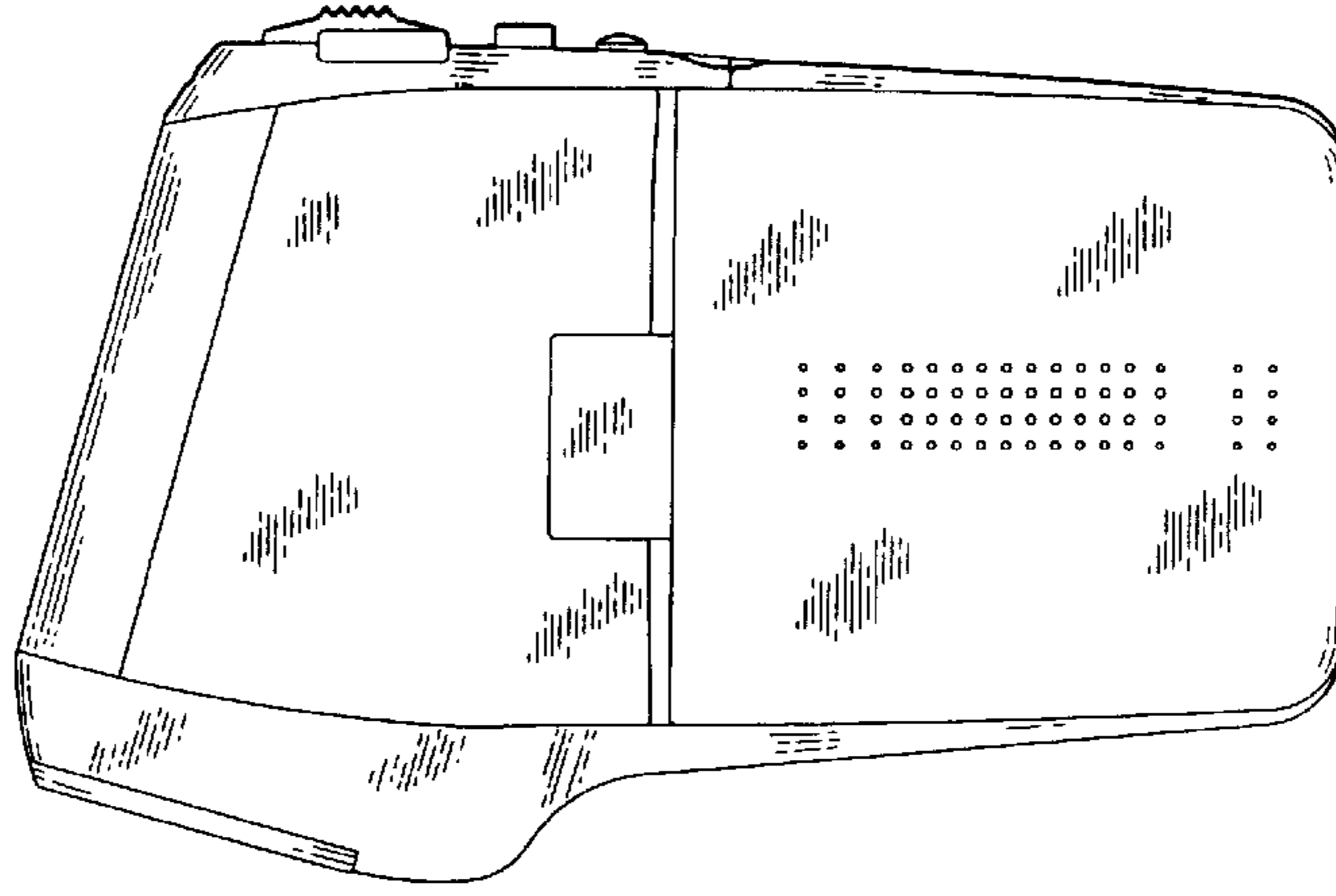


FIG. 8

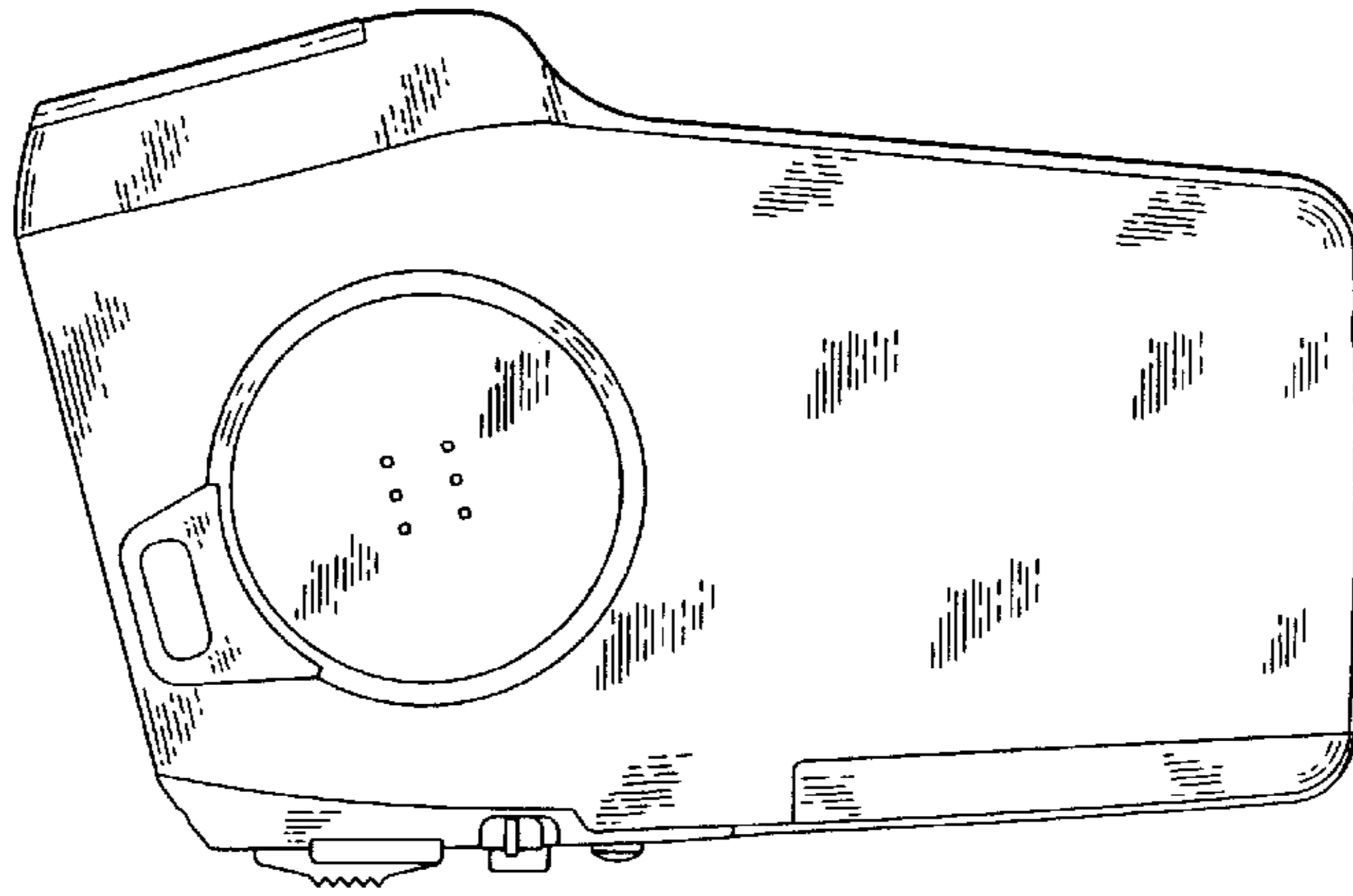
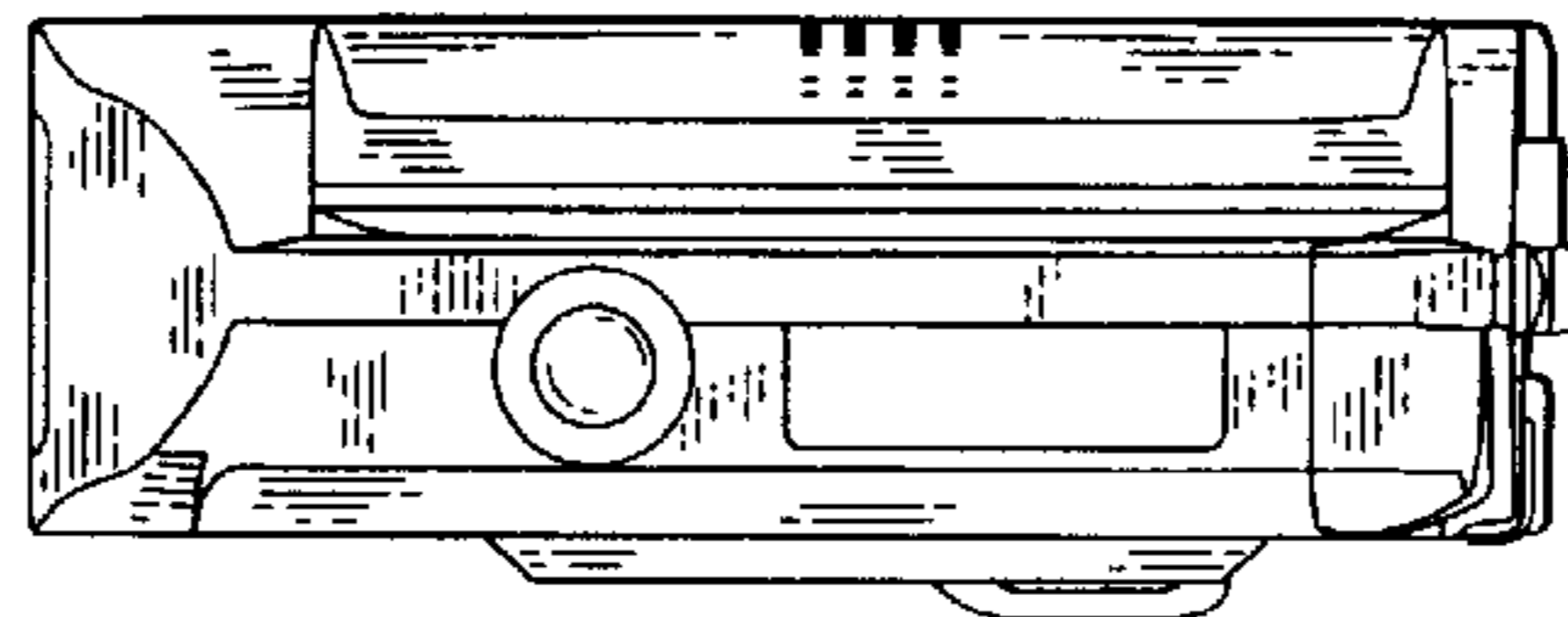


FIG. 7



UNITED STATES PATENT AND TRADEMARK OFFICE
CERTIFICATE OF CORRECTION

PATENT NO. : Des. 528,141 S
APPLICATION NO. : 29/225934
DATED : September 12, 2006
INVENTOR(S) : Hiroyuki Kinemura et al.

Page 1 of 1

It is certified that error appears in the above-identified patent and that said Letters Patent is hereby corrected as shown below:

In the Inventor's place of residence:

Please delete "Hiroyuki Kinemura, Hyougo (JP)" and "Motohiro Sasada, Hyougo (JP)"
and substitute with -- Hiroyuki Kinemura, Hyogo (JP) and Motohiro Sasada, Hyogo
(JP) --.

Signed and Sealed this

Nineteenth Day of December, 2006

A handwritten signature in black ink on a light gray dotted background. The signature reads "Jon W. Dudas" in a cursive, stylized script.

JON W. DUDAS

Director of the United States Patent and Trademark Office