



US00D528140S

(12) **United States Design Patent**  
**Inaba**

(10) **Patent No.:** **US D528,140 S**

(45) **Date of Patent:** **\*\* \*Sep. 12, 2006**

(54) **DIGITAL CAMERA**

(75) Inventor: **Toshiya Inaba**, Tokyo (JP)

(73) Assignee: **PENTAX Corporation**, Tokyo (JP)

(\*) Notice: This patent is subject to a terminal disclaimer.

(\*\*) Term: **14 Years**

(21) Appl. No.: **29/218,586**

(22) Filed: **Dec. 6, 2004**

(30) **Foreign Application Priority Data**

Jun. 23, 2004 (JP) ..... 2004-018781

(51) **LOC (8) Cl.** ..... **16-01**

(52) **U.S. Cl.** ..... **D16/202; D16/218**

(58) **Field of Classification Search** ..... D16/200-205,  
D16/208, 209, 218; 348/373-376; 358/909.1;  
396/6, 535-541

See application file for complete search history.

(56) **References Cited**

**U.S. PATENT DOCUMENTS**

5,258,793	A	*	11/1993	Tsuji et al.	.....	396/536
D356,809	S	*	3/1995	Suyama et al.	.....	D16/209
D418,851	S	*	1/2000	Goto et al.	.....	D16/202
D425,093	S	*	5/2000	Chang	.....	D16/209
D434,786	S	*	12/2000	Chin	.....	D16/209
D438,228	S	*	2/2001	Hamamura	.....	D16/209
D446,536	S	*	8/2001	Kim	.....	D16/209
D447,759	S	*	9/2001	Jin	.....	D16/209

6,381,411	B1	*	4/2002	Lee	.....	396/6
D463,470	S	*	9/2002	Tse	.....	D16/202
D482,054	S	*	11/2003	Nasu	.....	D16/202
D489,385	S	*	5/2004	Lin	.....	D16/202

\* cited by examiner

*Primary Examiner*—Adir Aronovich

(74) *Attorney, Agent, or Firm*—Sughrue Mion, PLLC

(57) **CLAIM**

The ornamental design for a digital camera, as shown and described.

**DESCRIPTION**

FIG. 1 is a perspective view of the front, right, and top sides of a digital camera showing my new design;

FIG. 2 is a front elevational view thereof;

FIG. 3 is a rear elevational view thereof;

FIG. 4 is a left side elevational view thereof;

FIG. 5 is a right side elevational view thereof;

FIG. 6 is a top plan view thereof;

FIG. 7 is a bottom plan view thereof;

FIG. 8 is a perspective view of the rear, left, and top sides thereof with a display panel in a first position;

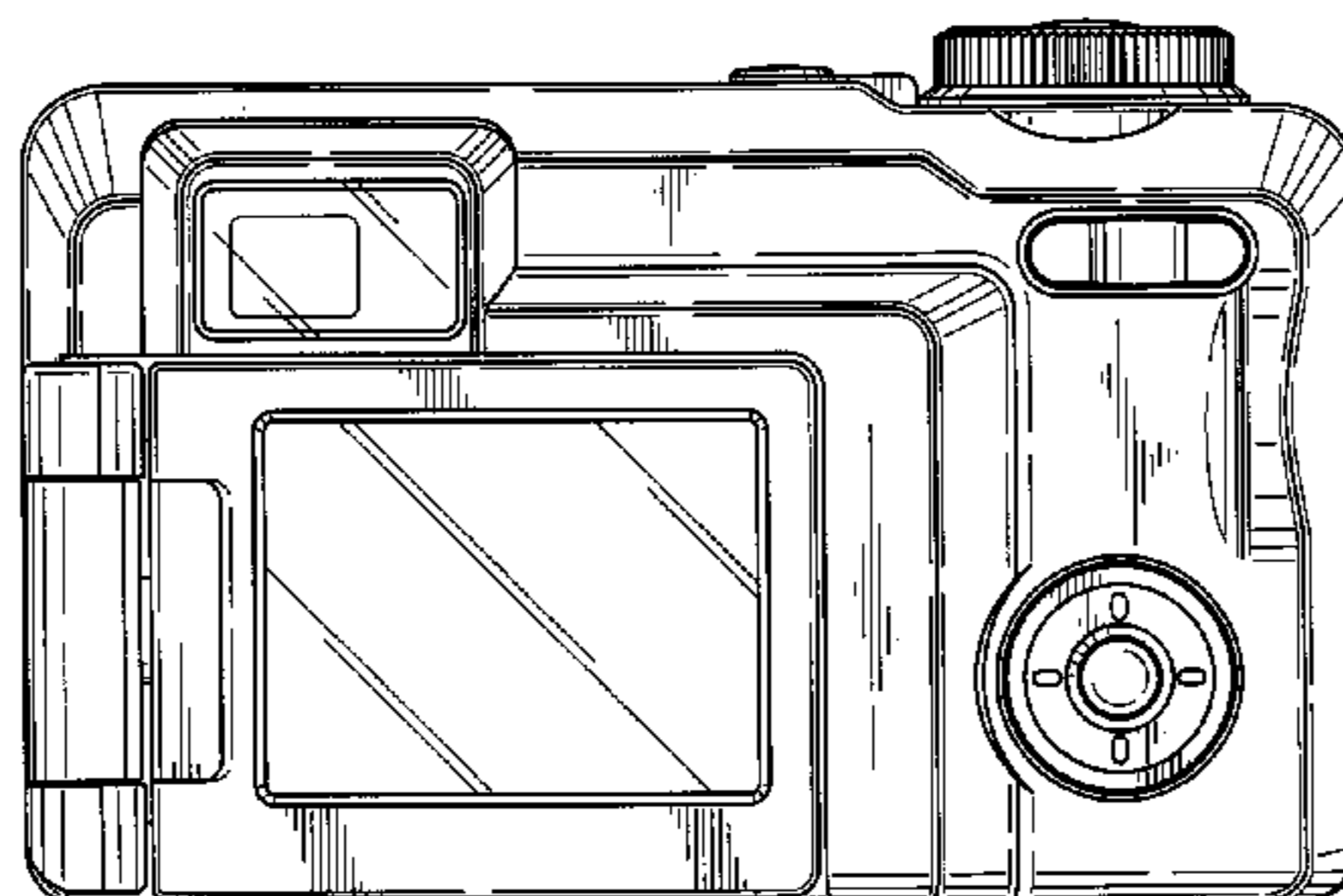
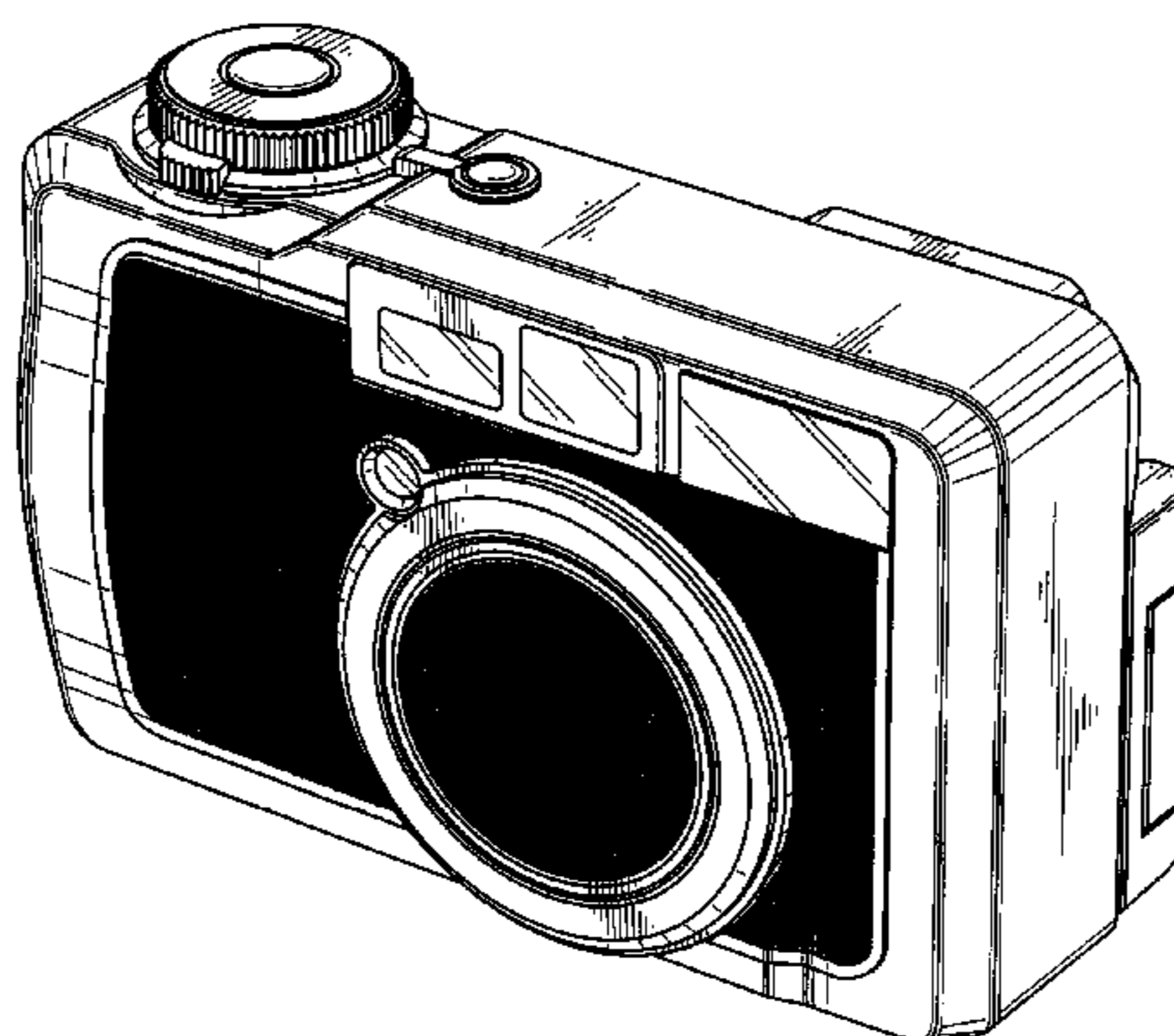
FIG. 9 is a perspective view of the front, right, and top sides thereof with the display panel in a second position;

FIG. 10 is a perspective view of the rear, left, and top sides with the display panel in a third position;

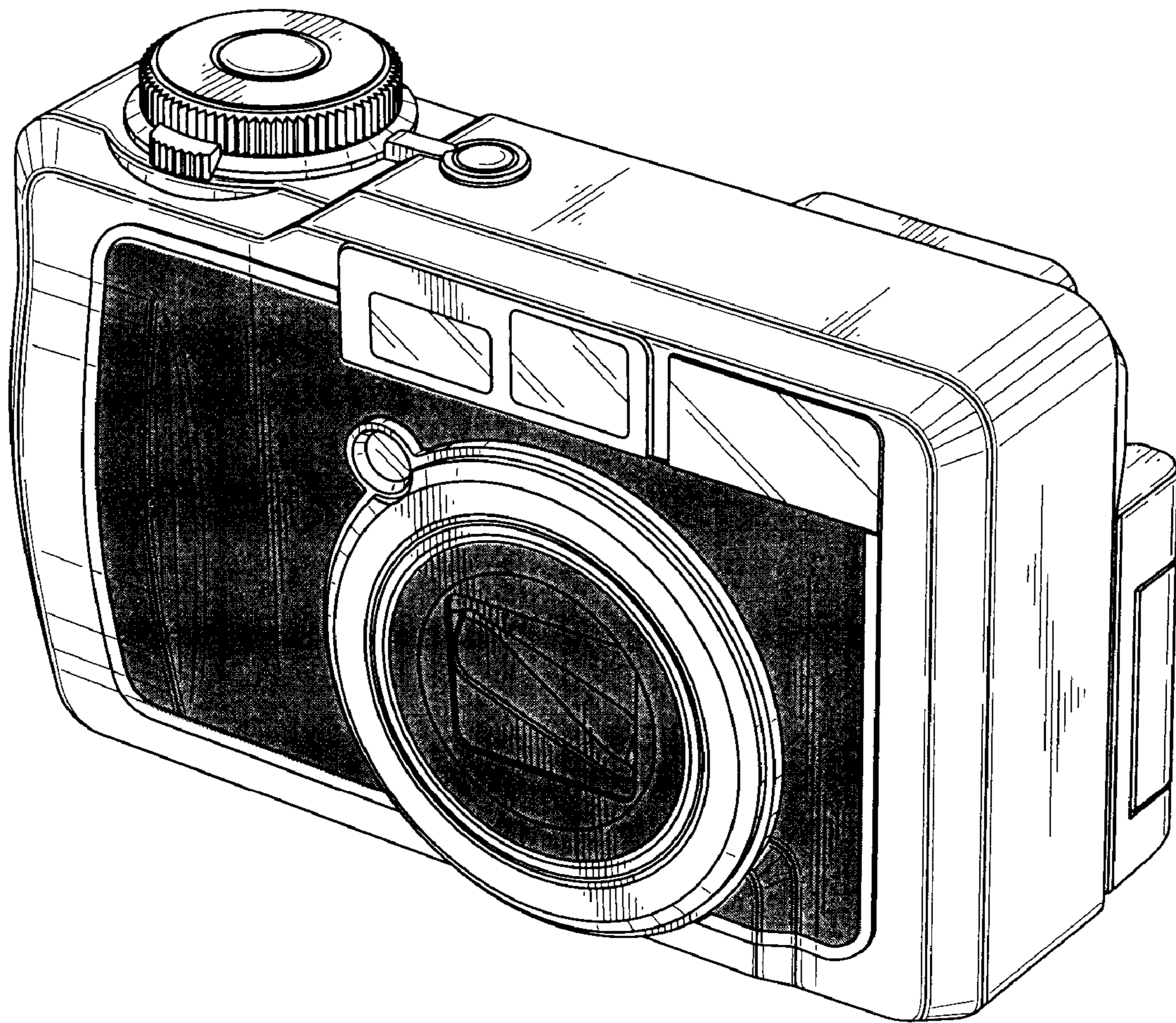
FIG. 11 is a front elevational view thereof in a state of taking a picture; and,

FIG. 12 is a right side elevational view thereof in a state of taking a picture.

**1 Claim, 10 Drawing Sheets**

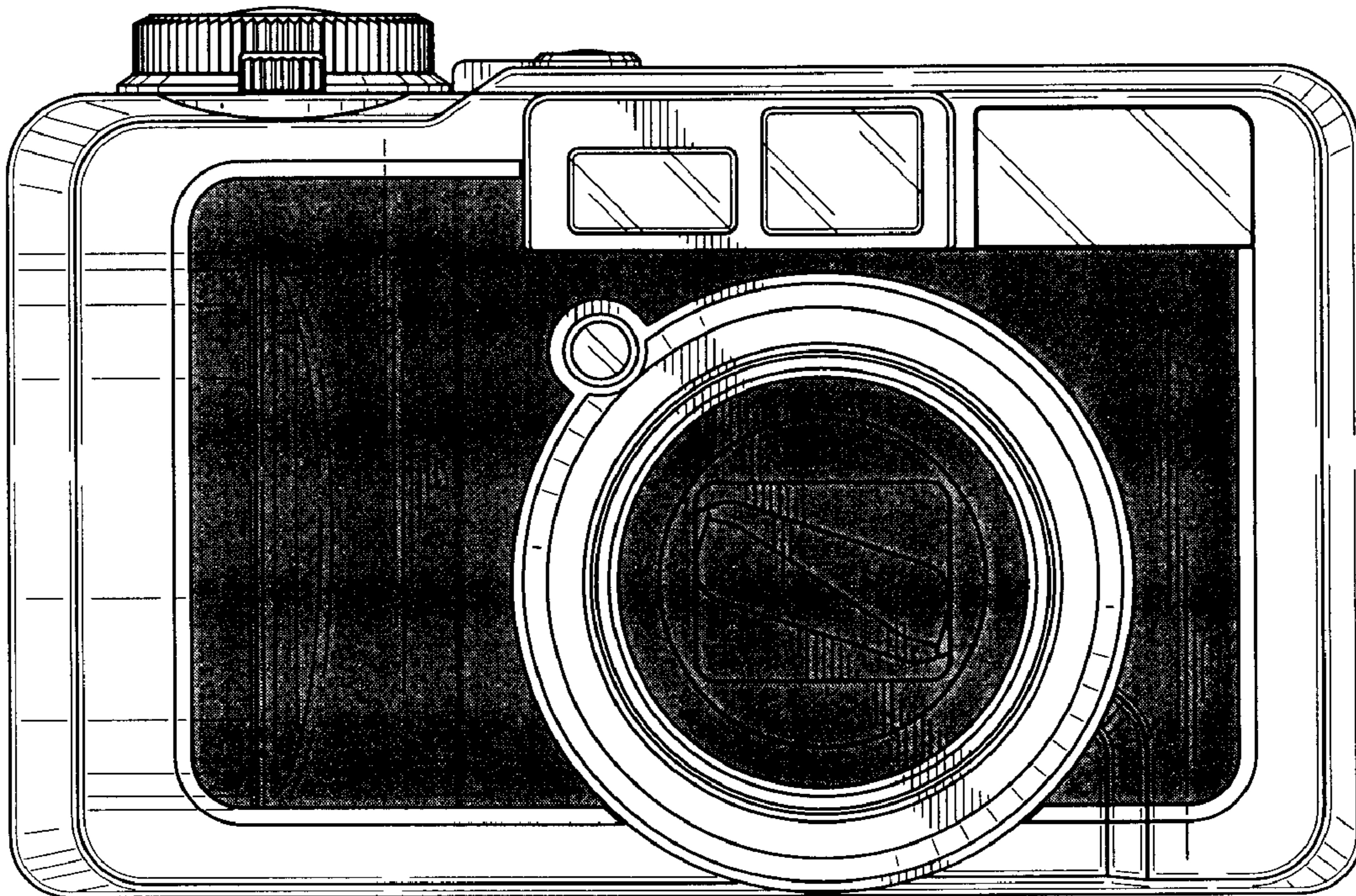


*FIG. 1*

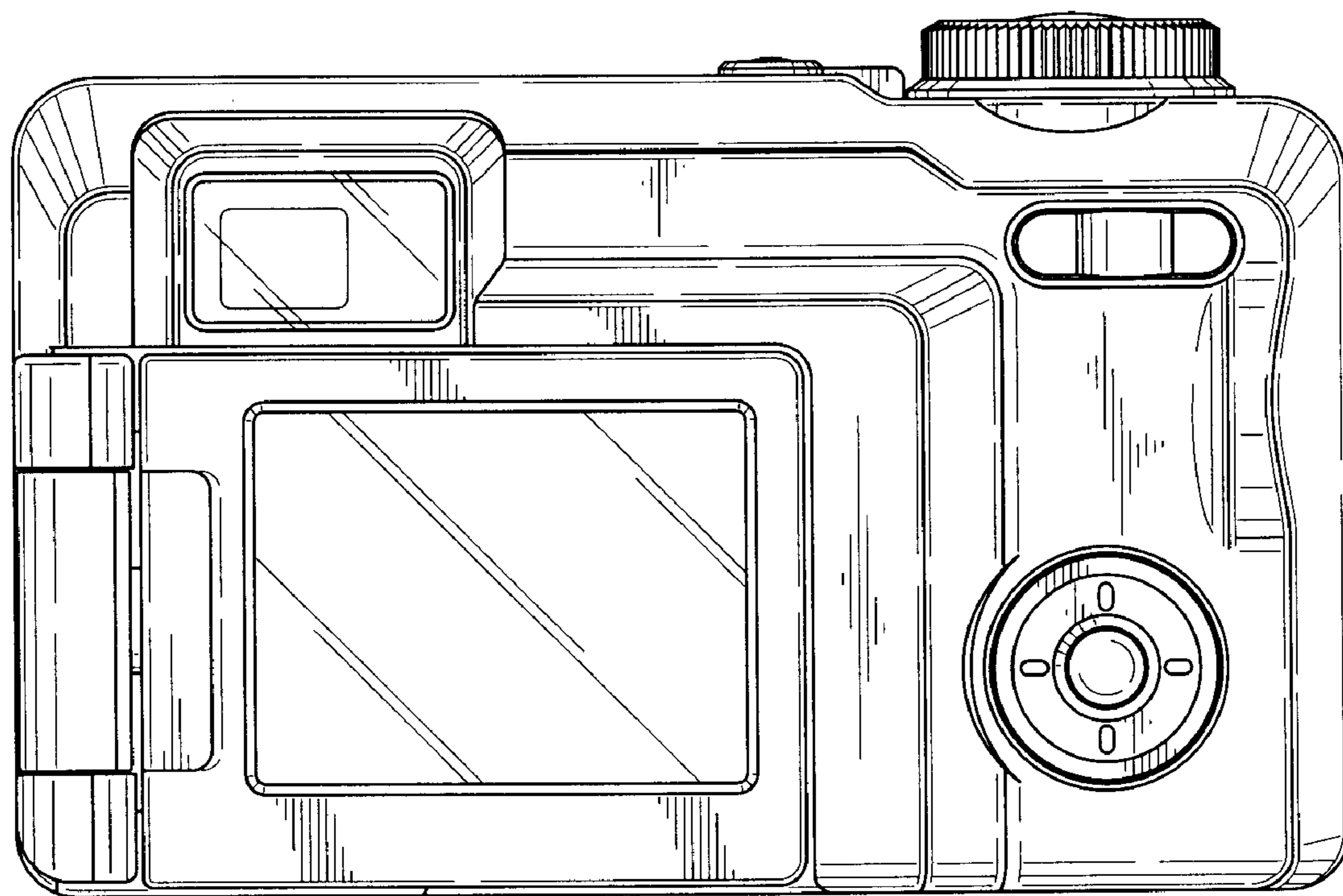




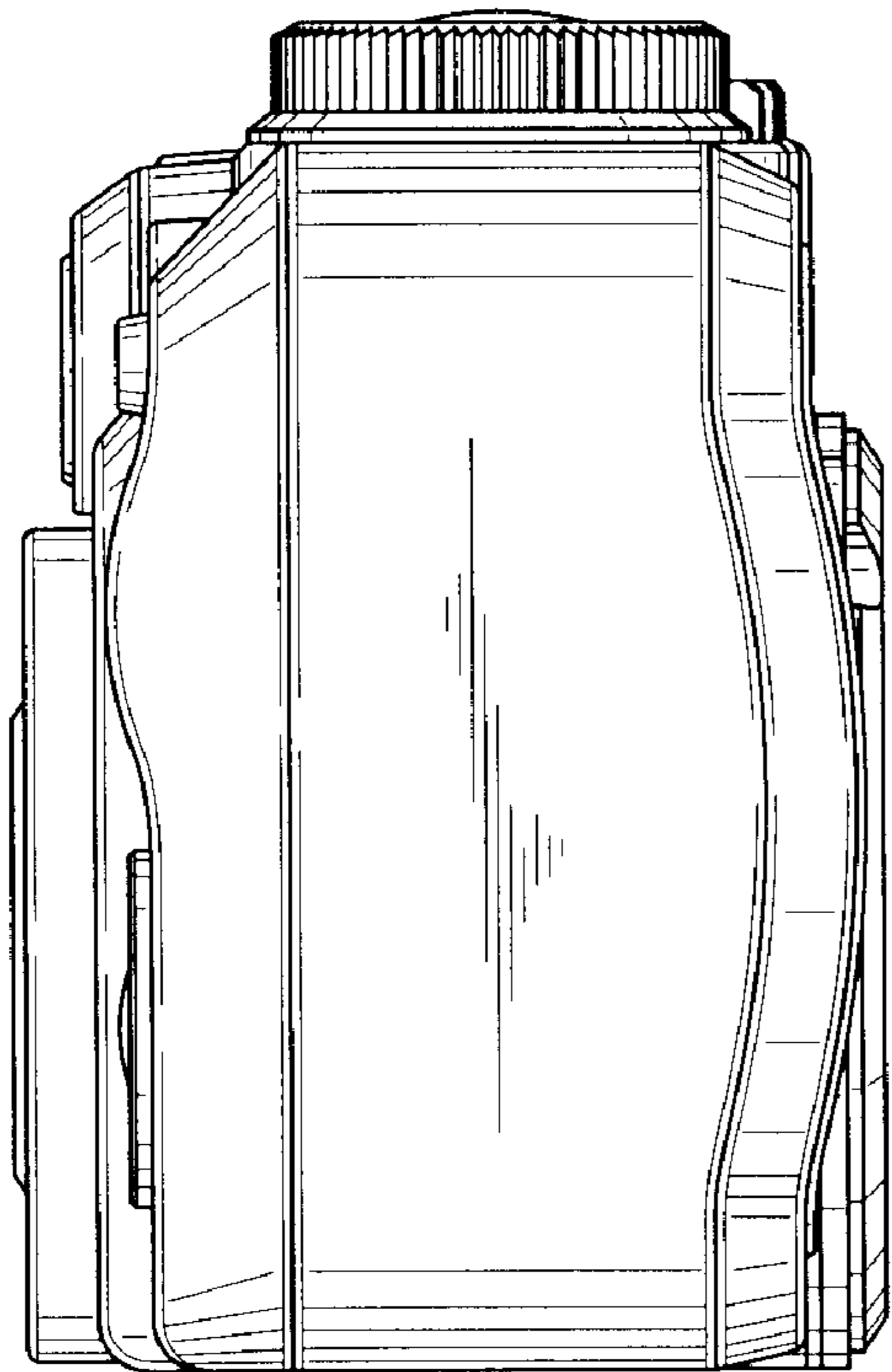
*FIG. 2*



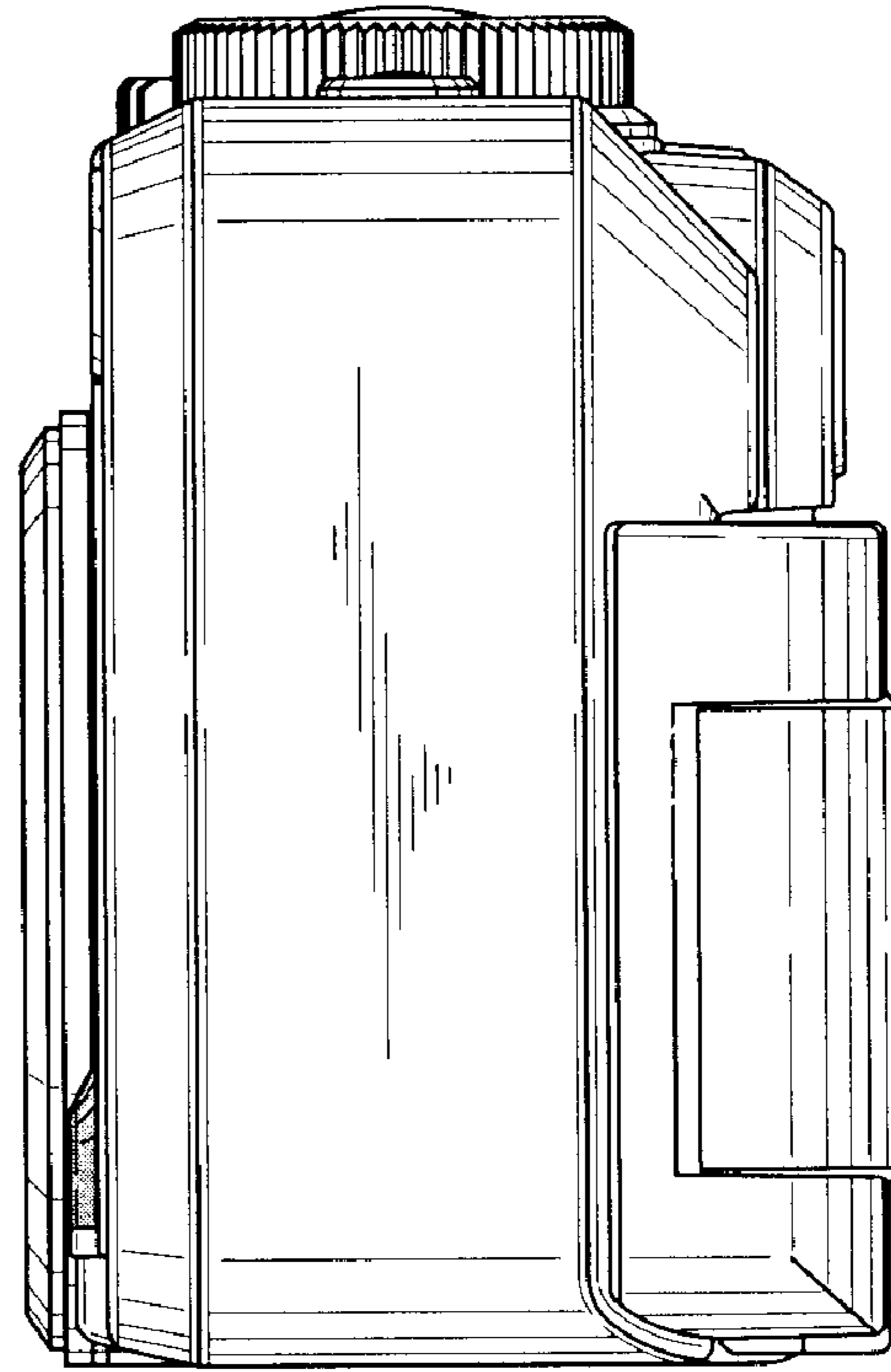
*FIG. 3*



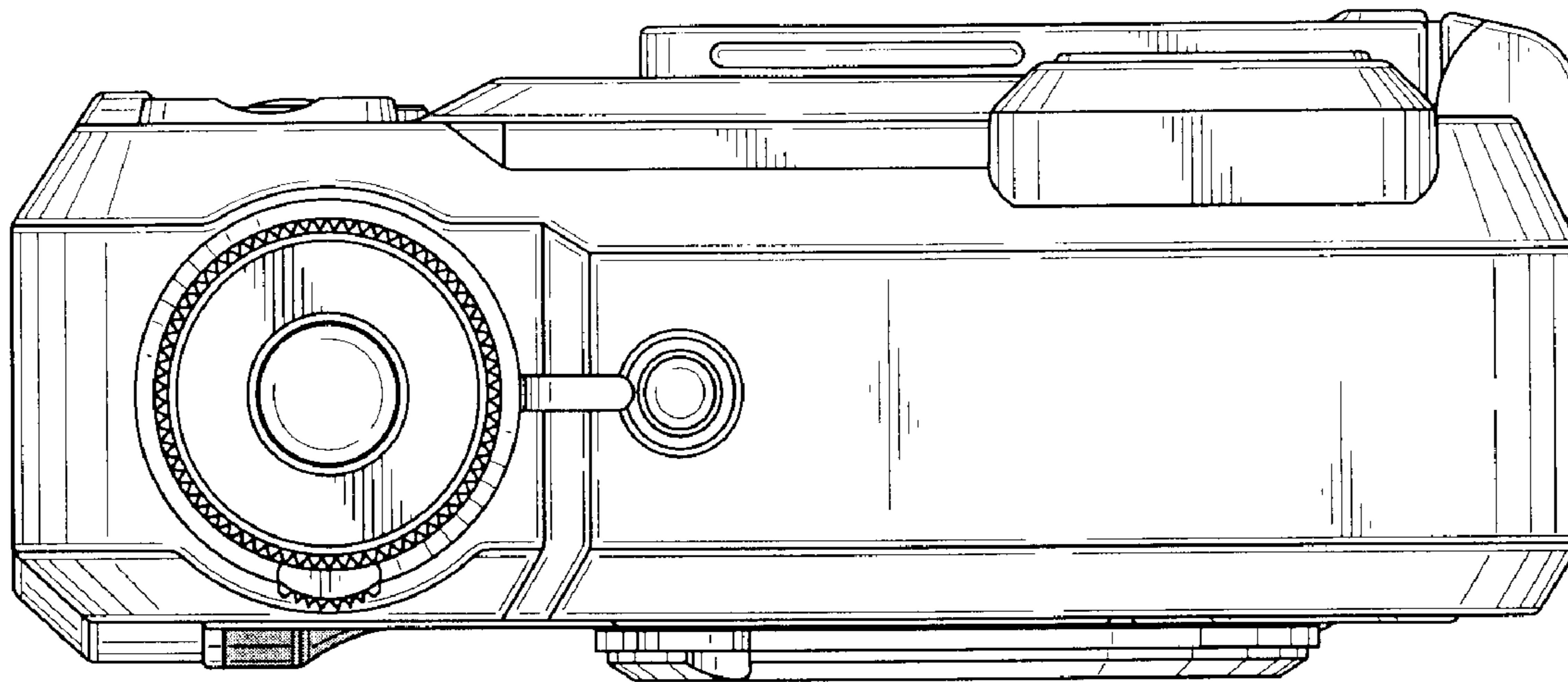
*FIG. 4*



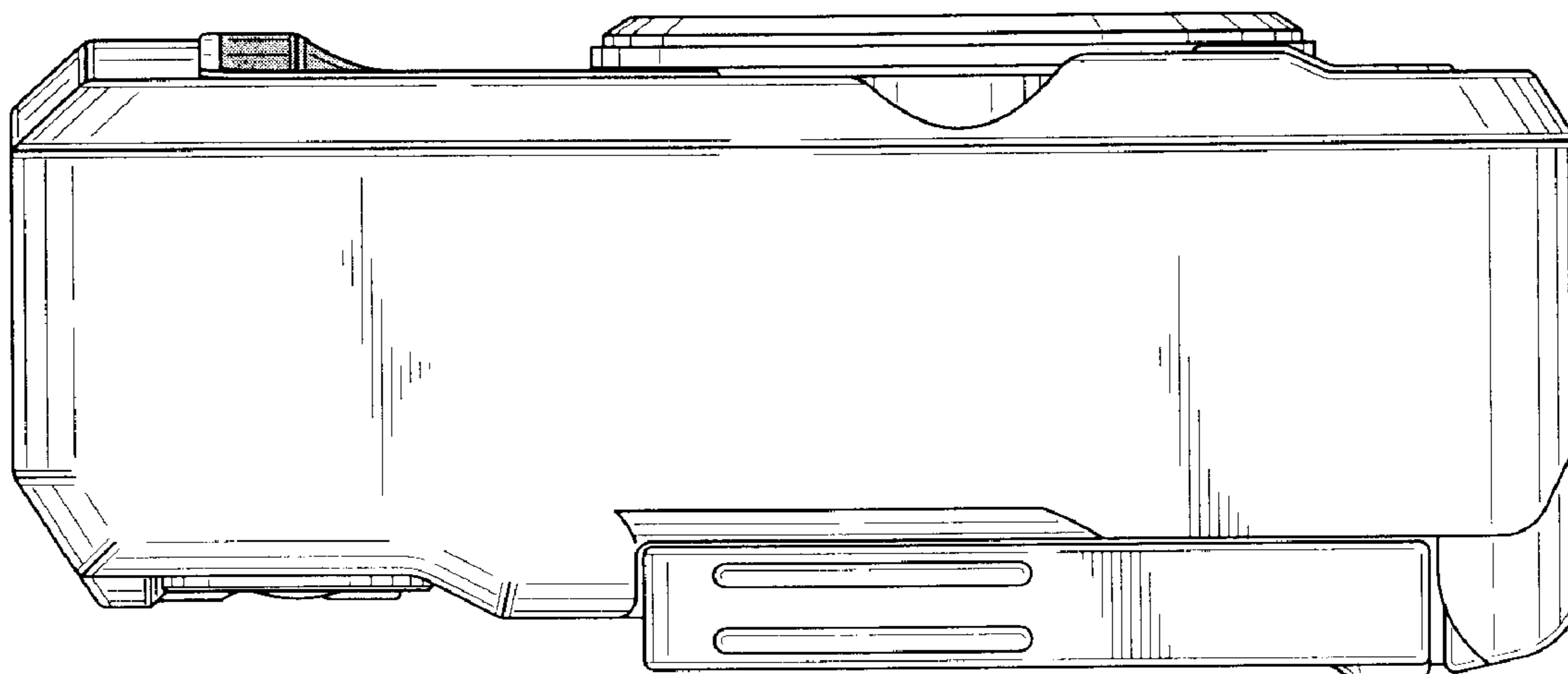
*FIG. 5*



*FIG. 6*



*FIG. 7*





*FIG. 8*

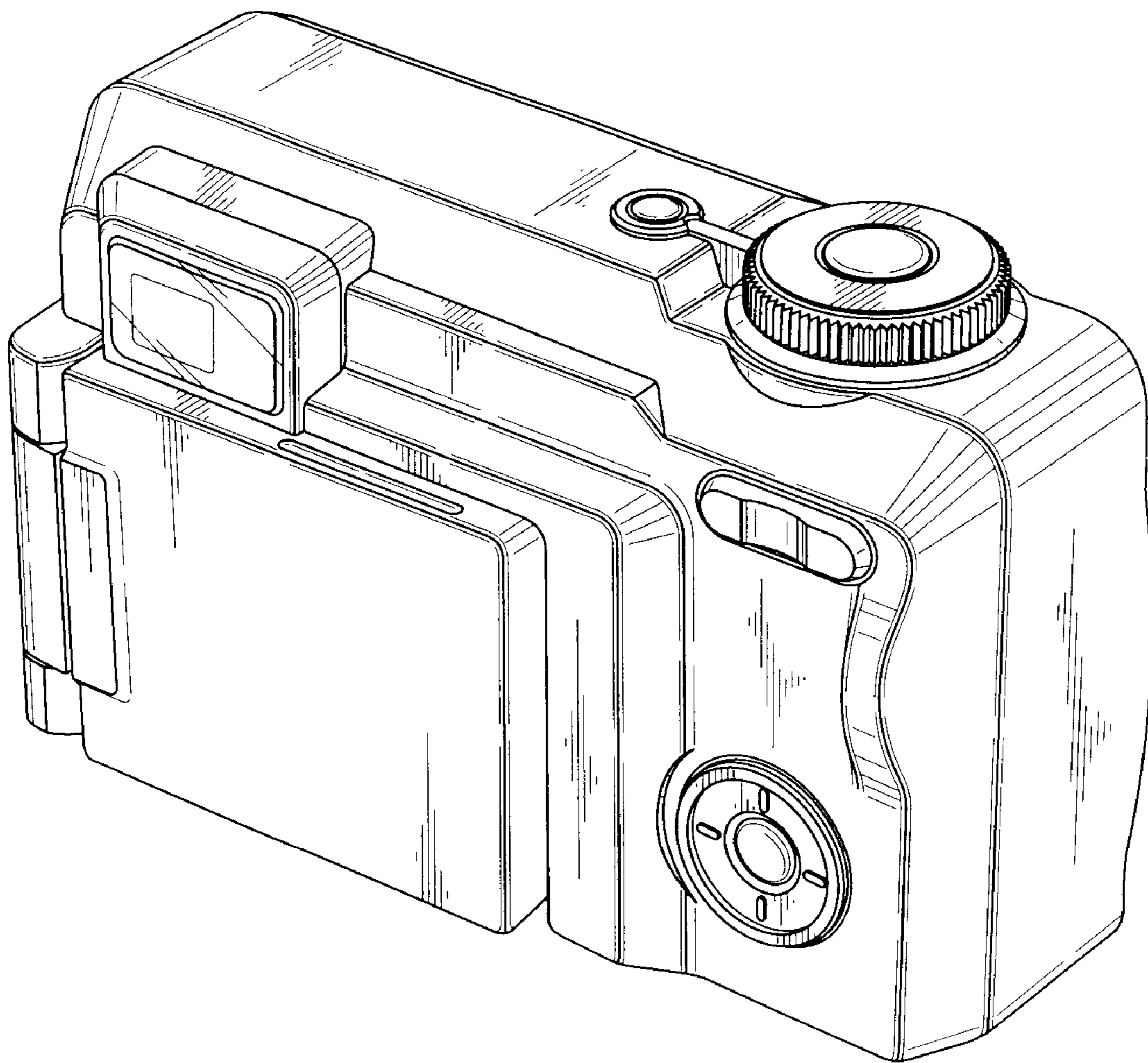


FIG. 9

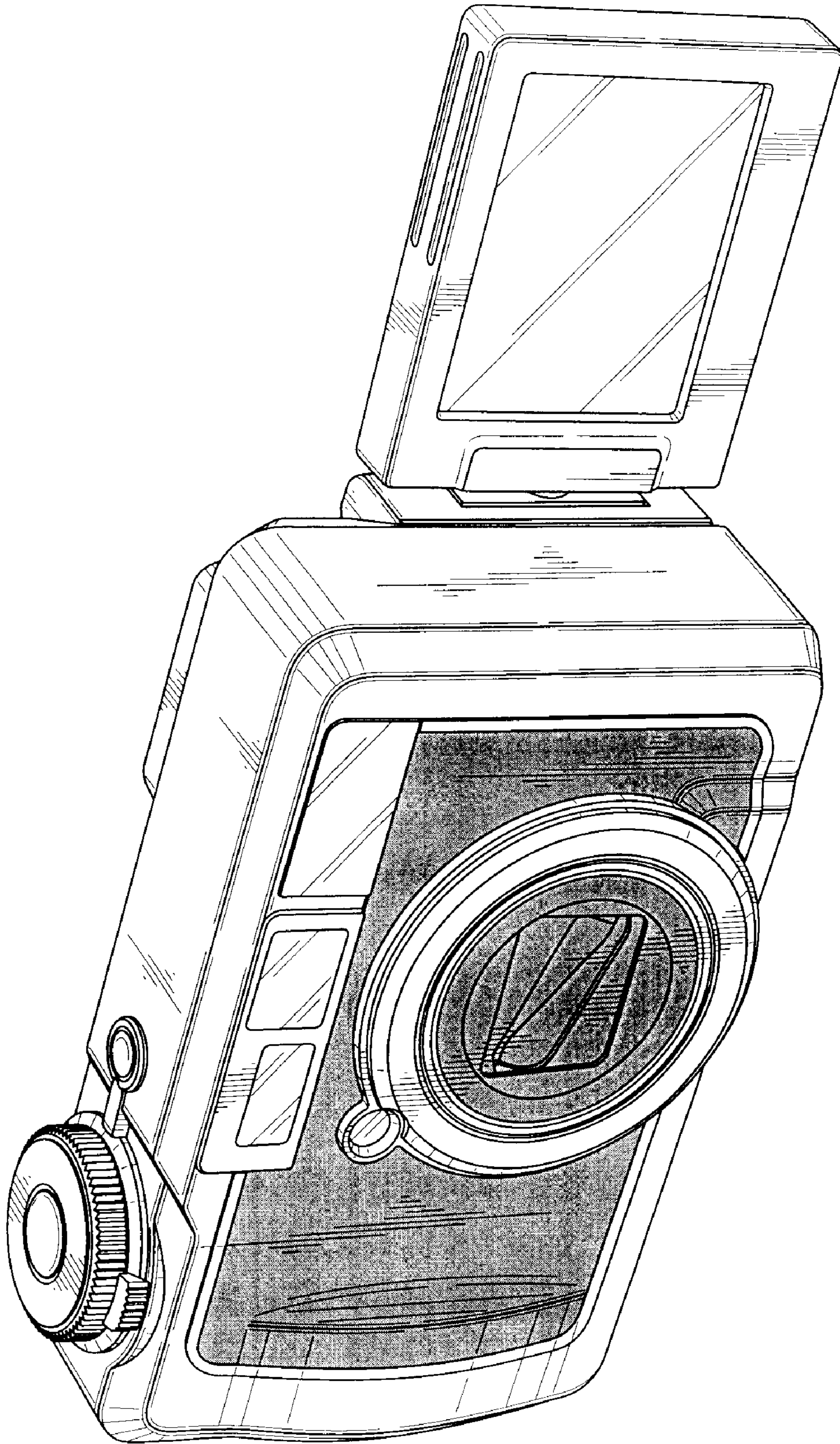
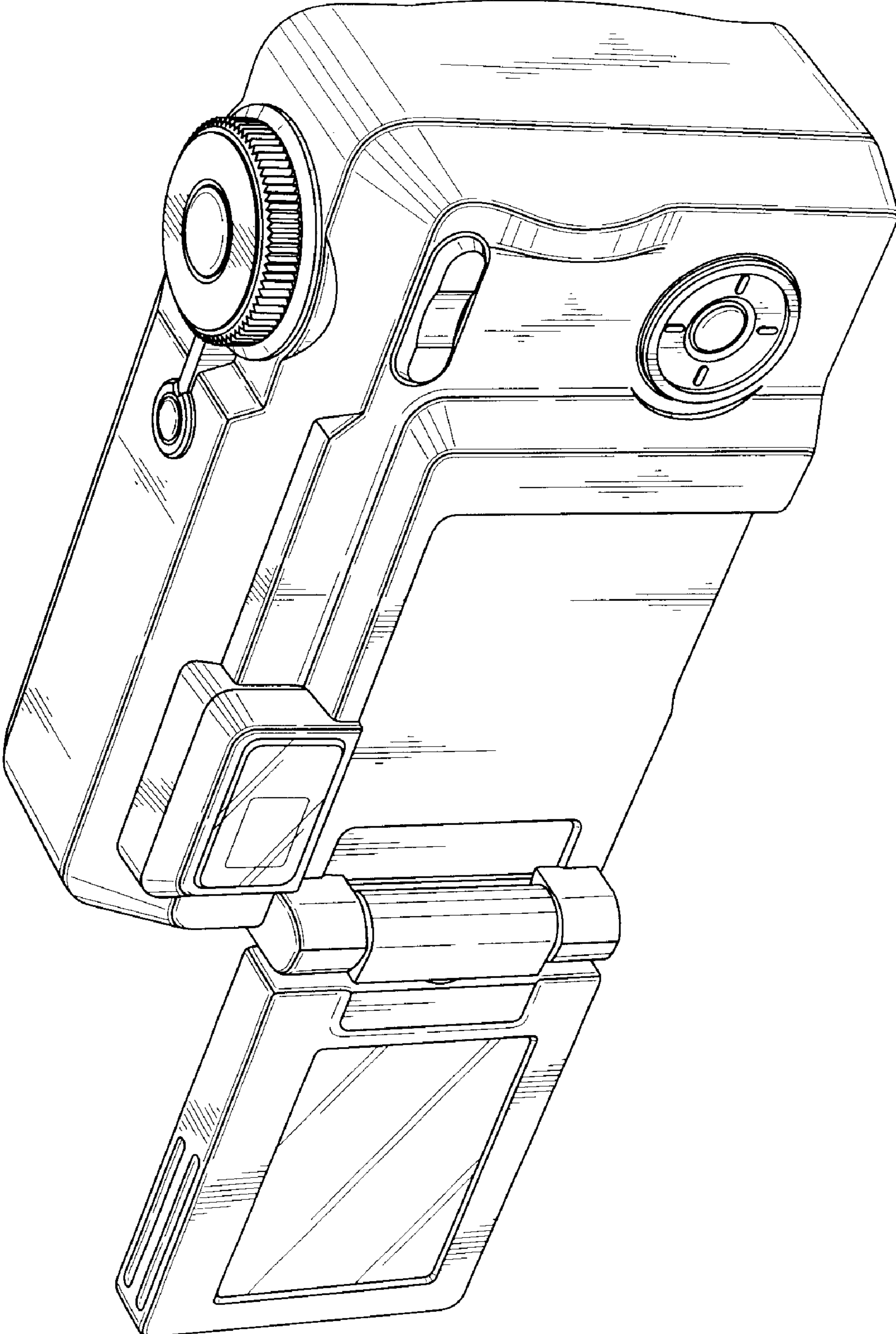
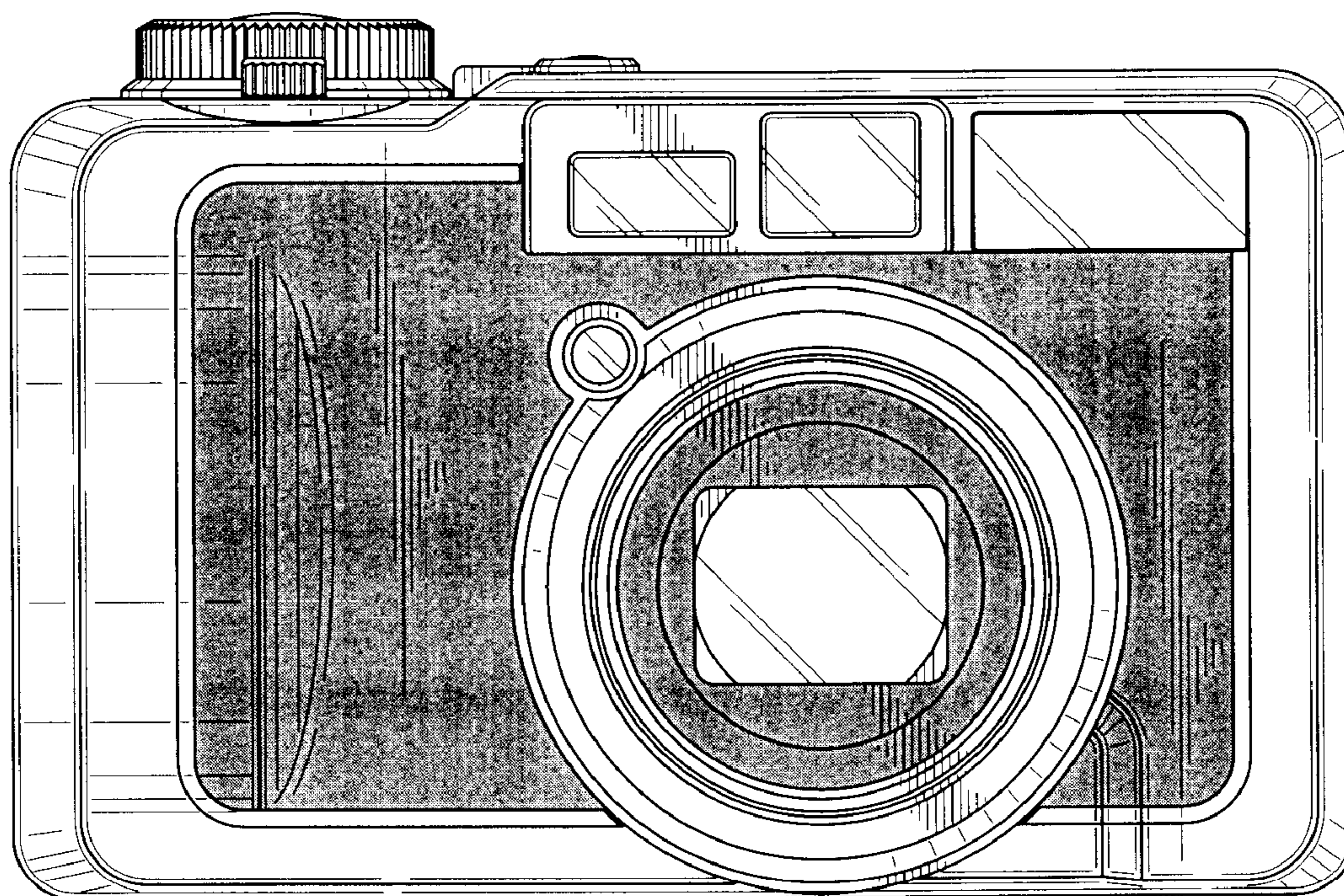




FIG. 10



*FIG. 11*





*FIG. 12*

